

04				
03				
02				
01	MR.OMIDI	VFD-PANEL	MR.FASANGHARI	MR.GHASEMKHANI
REV	DRAWN	DESCRIPTION	CHEKED BY	APPROVED BY

DRAWING TITLE :  
**EPLAN**

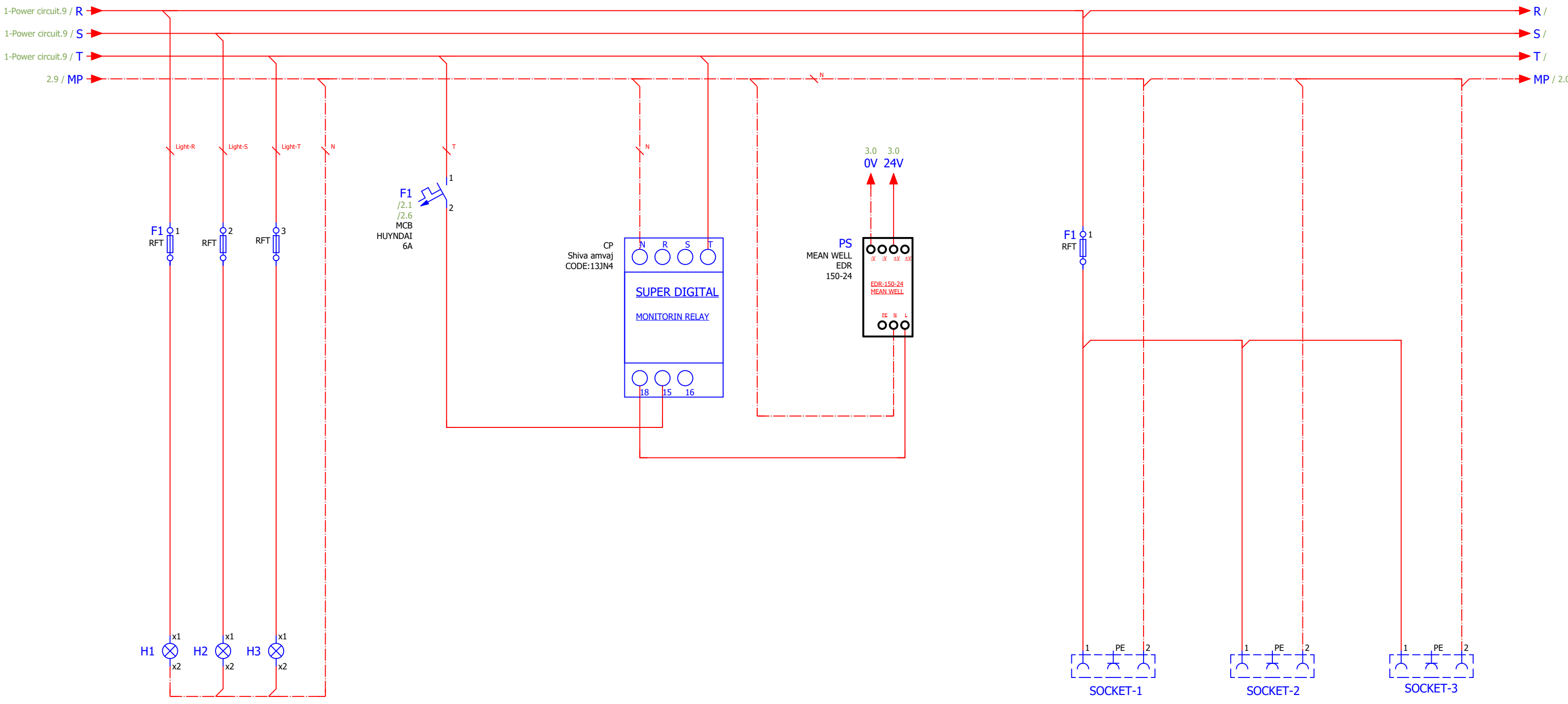
EMPLOYER :  
**SHAHID BABAIE GROUP**

CONSULTING :  
NICSANAT.CO

CONTRACTOR :  
NICSANAT.CO

SIGNATURE :

CONTRACT NO :  
DATE : **1403/12/22**  
SHEET : 1 / 5



04				
03				
02				
01	MR.OMIDI	VFD-PANEL	MR.FASANGHARI	MR.GHASEMKHANI
REV	DRAWN	DESCRIPTION	CHEKED BY	APPROVED BY

DRAWING TITLE :  
**EPLAN**



EMPLOYER :  
**SHAHID BABAIE GROUP**

CONSULTING :  
NICSANAT.CO

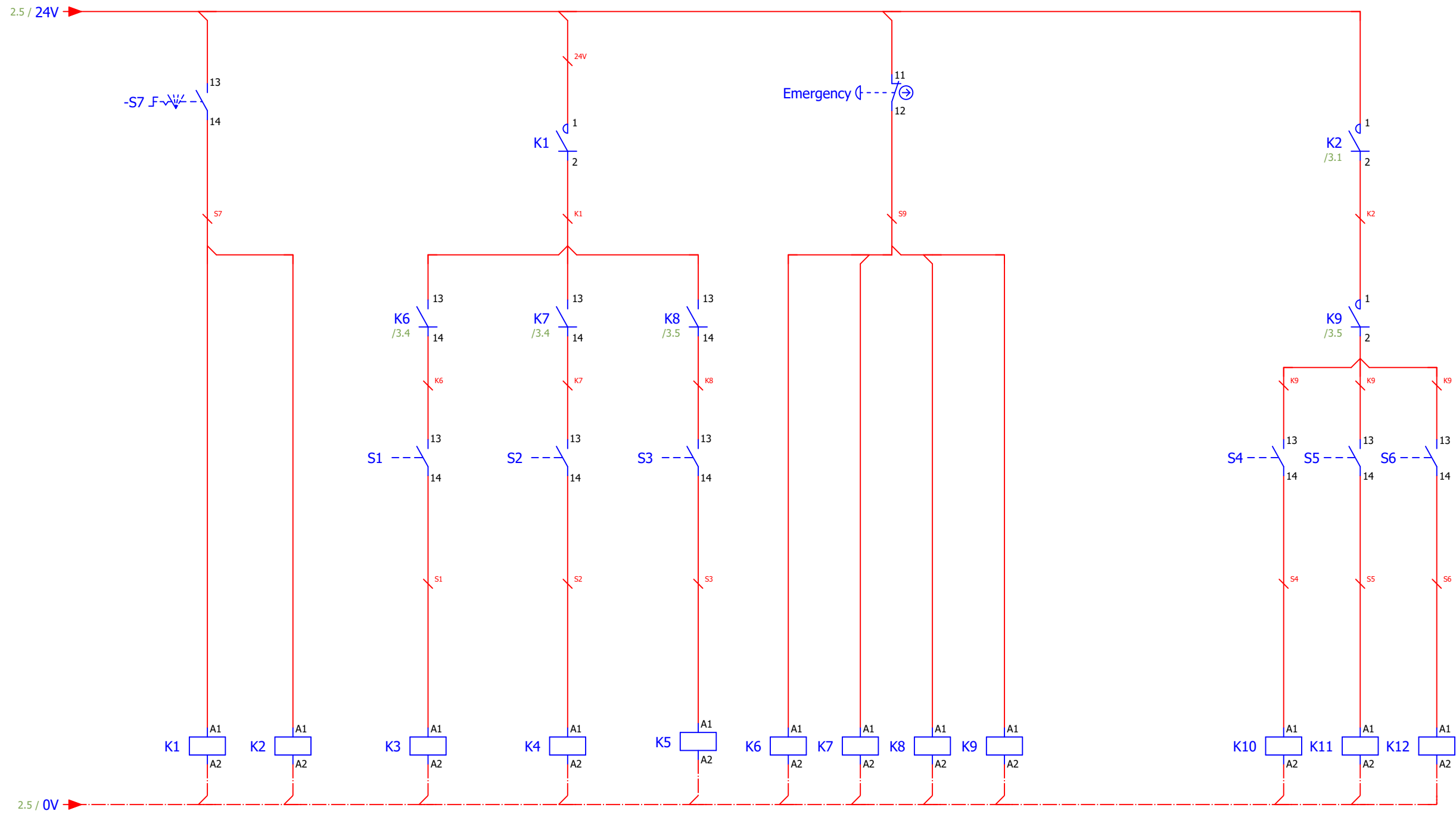
CONTRACTOR :  
NICSANAT.CO

SIGNATURE :

CONTRACT NO :

DATE : **1403/12/22**

SHEET : 2 / 5



04				
03				
02				
01	MR.OMIDI	VFD-PANEL	MR.FASANGHARI	MR.GHASEMKHANI
REV	DRAWN	DESCRIPTION	CHEKED BY	APPROVED BY

DRAWING TITLE :  
**EPLAN**



EMPLOYER :  
**SHAHID BABAIE GROUP**

CONSULTING :  
 NICSANAT.CO

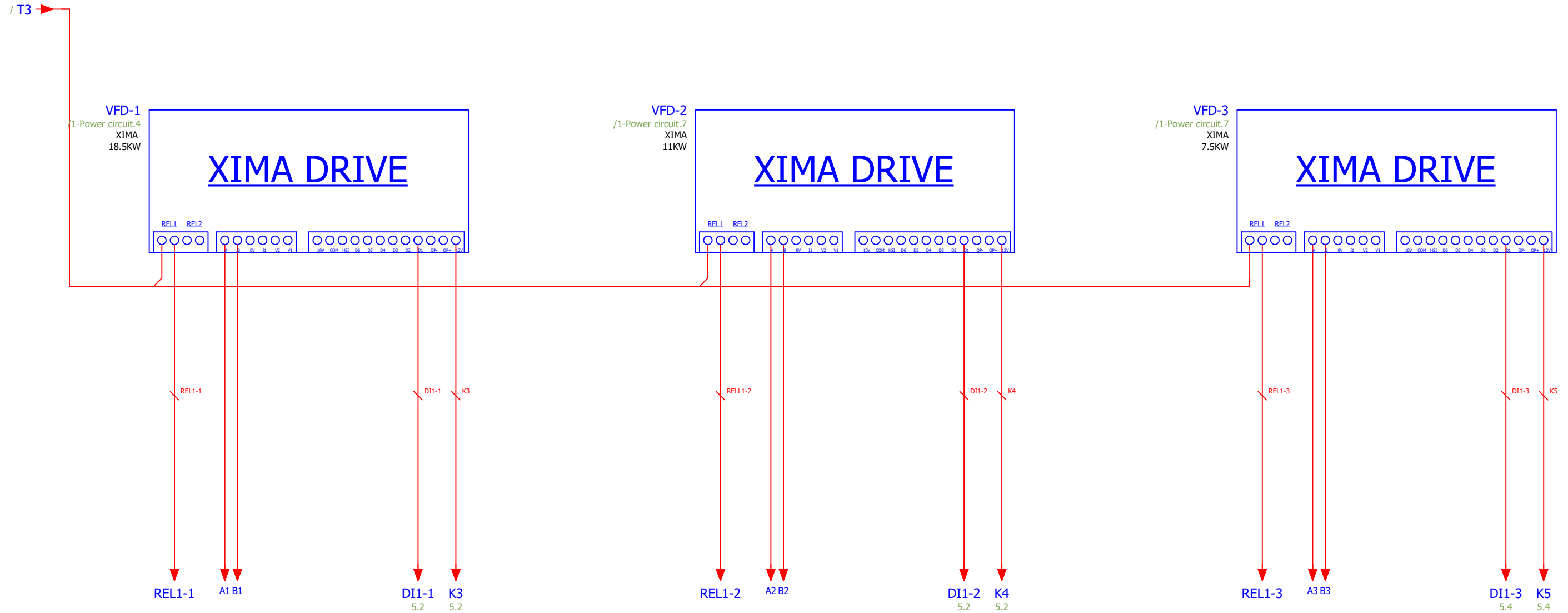


CONTRACTOR :  
 NICSANAT.CO



SIGNATURE :

CONTRACT NO :
DATE : <b>1403/12/22</b>
SHEET : <b>3 / 5</b>



04				
03				
02				
01	MR.OMIDI	VFD-PANEL	MR.FASANGHARI	MR.GHASEMKHANI
REV	DRAWN	DESCRIPTION	CHEKED BY	APPROVED BY

DRAWING TITLE :  
**EPLAN**

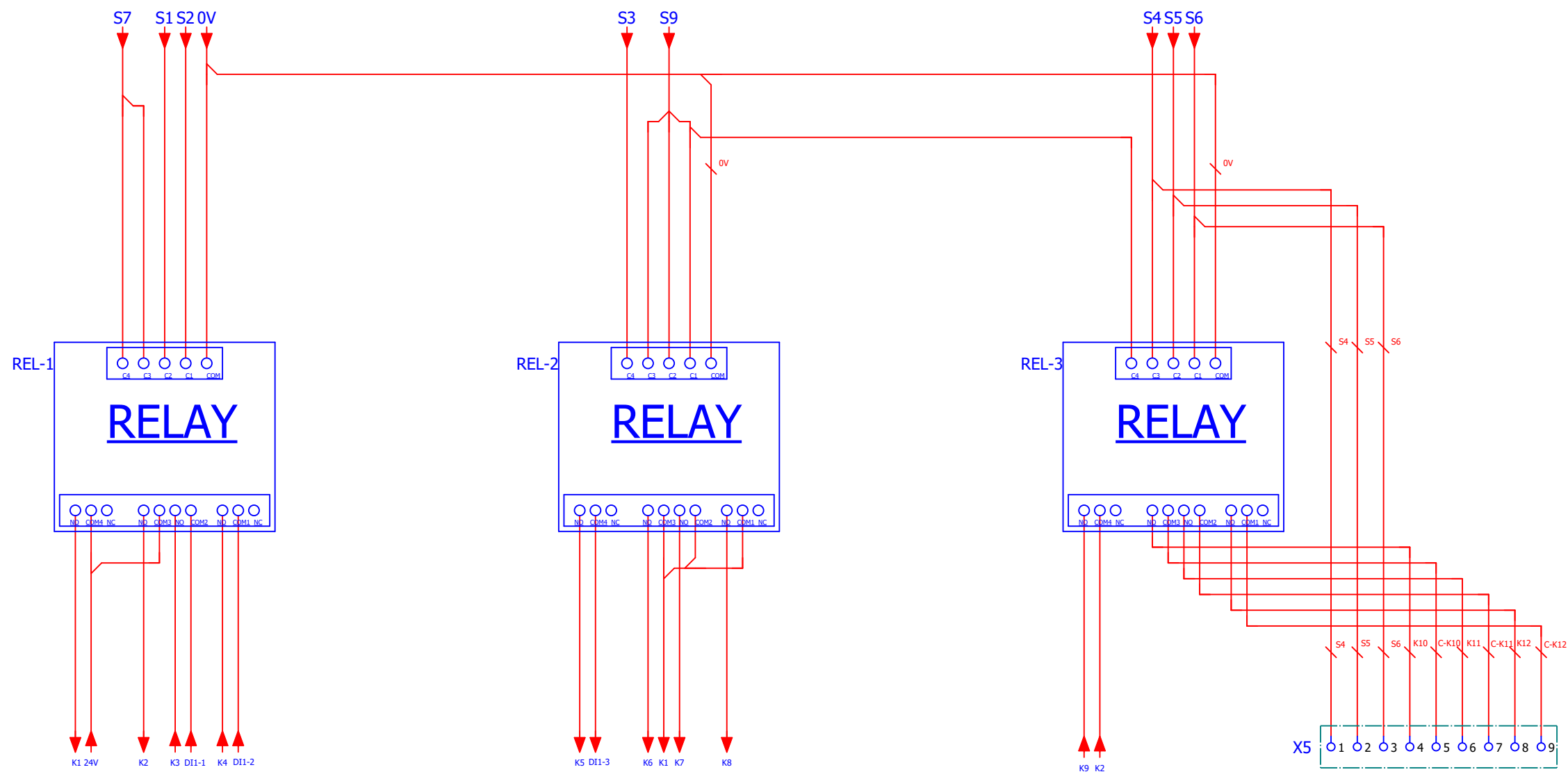
EMPLOYER :  
**SHAHID BABAIE GROUP**

CONSULTING :  
 NICSANAT.CO

CONTRACTOR :  
 NICSANAT.CO

SIGNATURE :

CONTRACT NO :  
 DATE : **1403/12/22**  
 SHEET : 4 / 5



04				
03				
02				
01	MR.OMIDI	VFD-PANEL	MR.FASANGHARI	MR.GHASEMKHANI
REV	DRAWN	DESCRIPTION	CHEKED BY	APPROVED BY

DRAWING TITLE :  
**EPLAN**



EMPLOYER :  
**SHAHID BABAIE GROUP**

CONSULTING :  
NICSANAT.CO



CONTRACTOR :  
NICSANAT.CO



SIGNATURE :

CONTRACT NO :

DATE : **1403/12/22**

SHEET : 5 / 5