


04				
03				
02				
01	MR.OMIDI	MDP	MR.FASANGHARI	MR.GHASEMKHANI
REV	DRAWN	DESCRIPTION	CHEKED BY	APPROVED BY

DRAWING TITLE : EPLAN



EMPLOYER : ALFATECH.CO



CONSULTING : NICSANAT.CO



CONTRACTOR : NICSANAT.CO

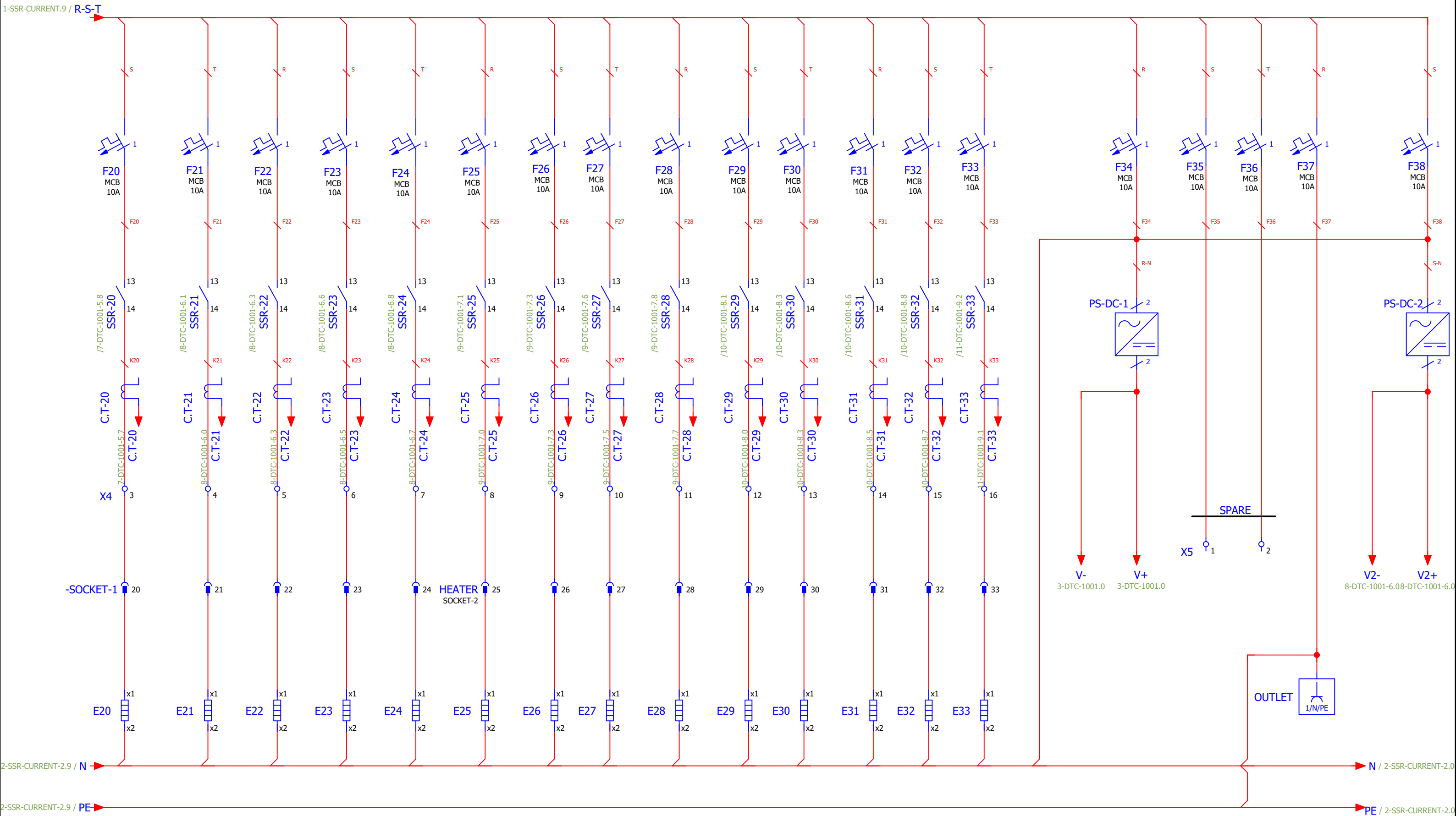


SIGNATURE :

CONTRACT NO :

DATE : 1404/02/08

SHEET : 1 / 13




04				
03				
02				
01	MR.OMIDI	MDP	MR.FASANGHARI	MR.GHASEMKHANI
REV	DRAWN	DESCRIPTION	CHEKED BY	APPROVED BY

DRAWING TITLE : EPLAN



EMPLOYER : ALFATECH.CO



CONSULTING : NICSANAT.CO



CONTRACTOR : NICSANAT.CO

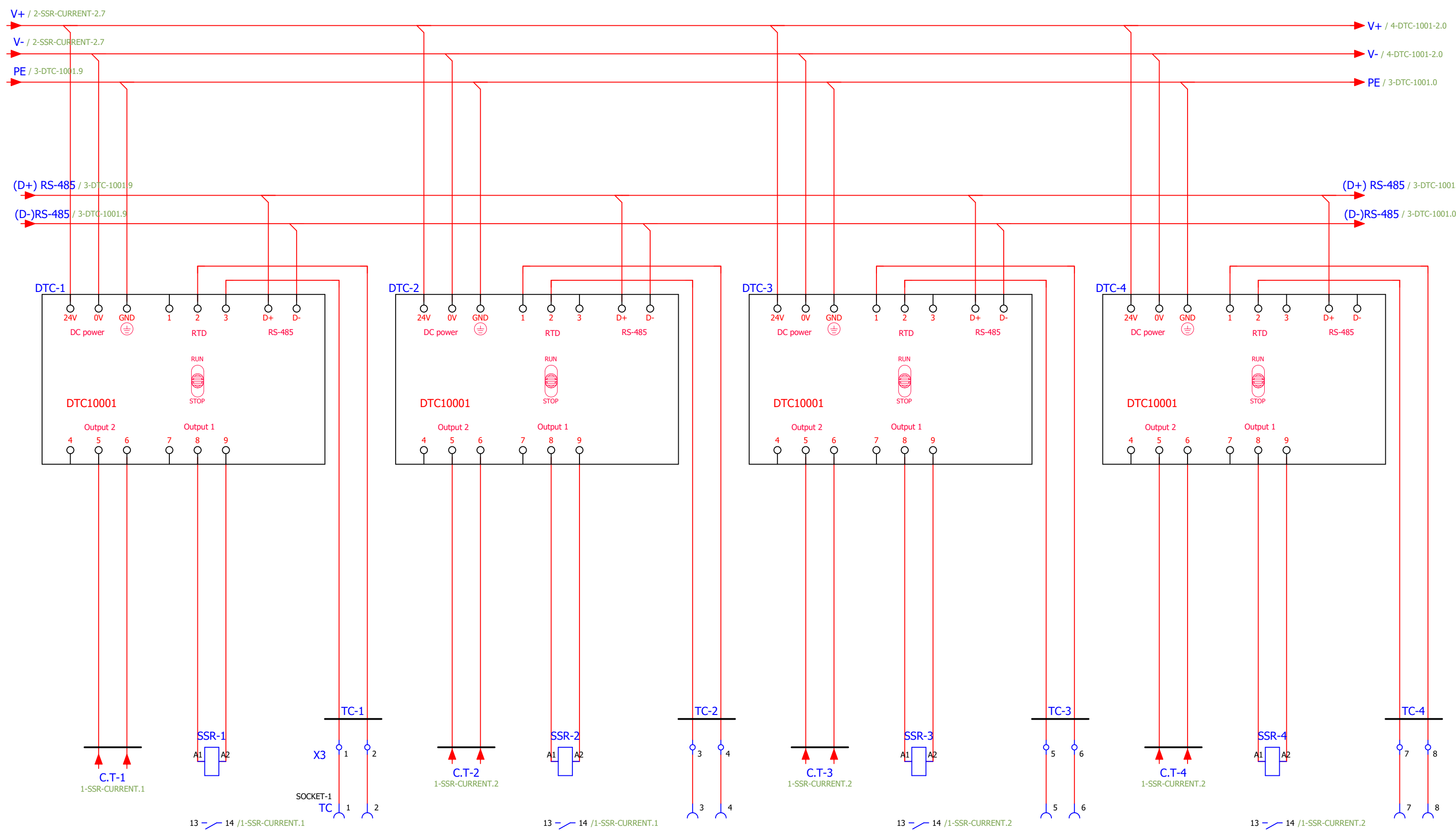


SIGNATURE :

CONTRACT NO :

DATE : 1404/02/08

SHEET : 2 / 13




04				
03				
02				
01	MR.OMIDI	MDP	MR.FASANGHARI	MR.GHASEMKHANI
REV	DRAWN	DESCRIPTION	CHEKED BY	APPROVED BY

DRAWING TITLE : EPLAN



EMPLOYER : ALFATECH.CO



CONSULTING : NICSANAT.CO



CONTRACTOR : NICSANAT.CO

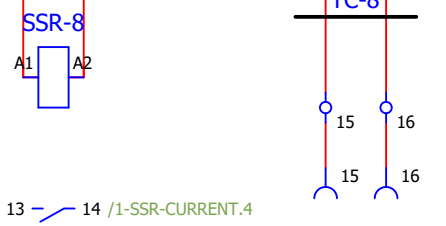
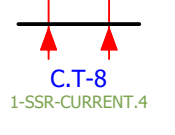
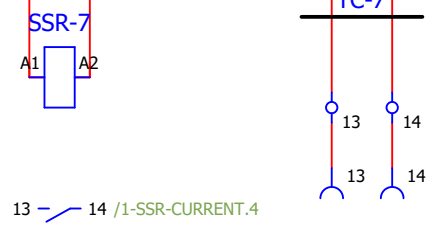
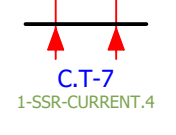
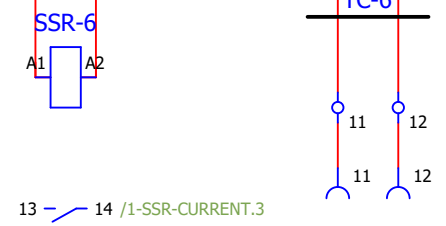
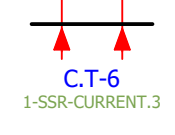
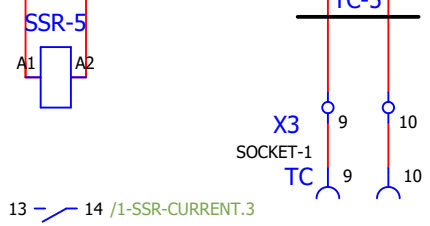
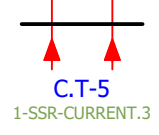
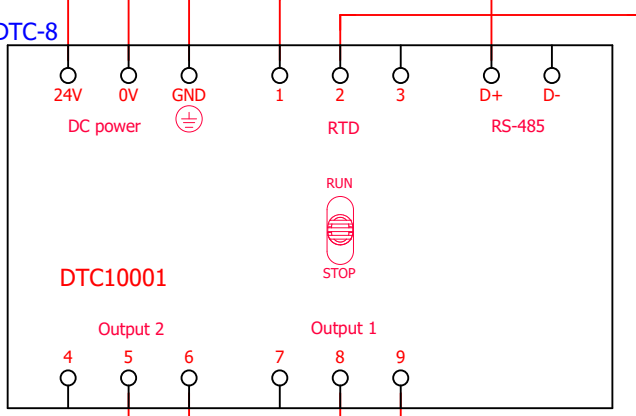
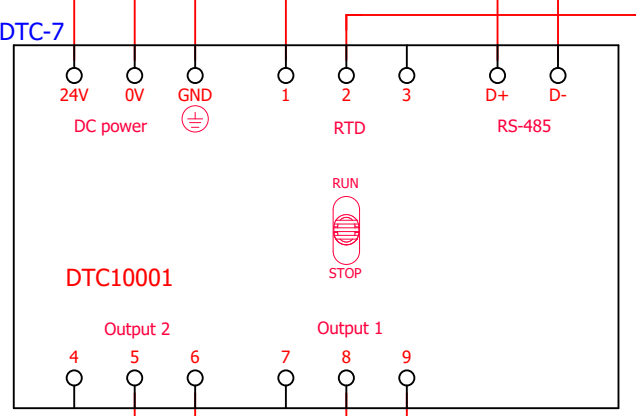
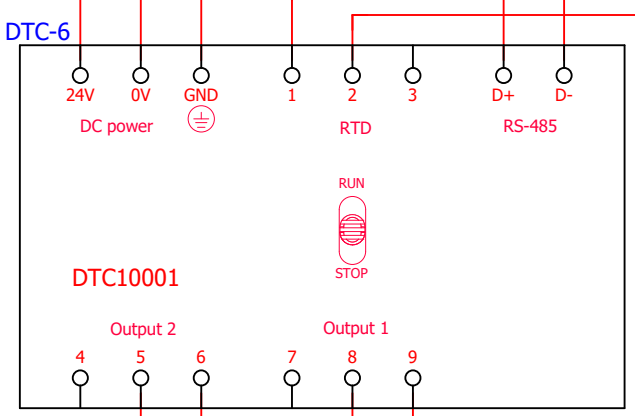
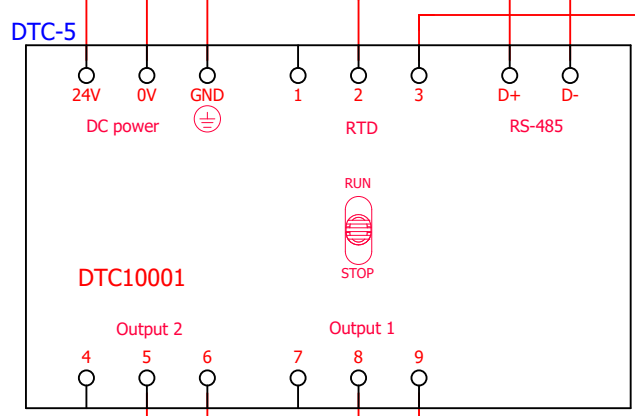
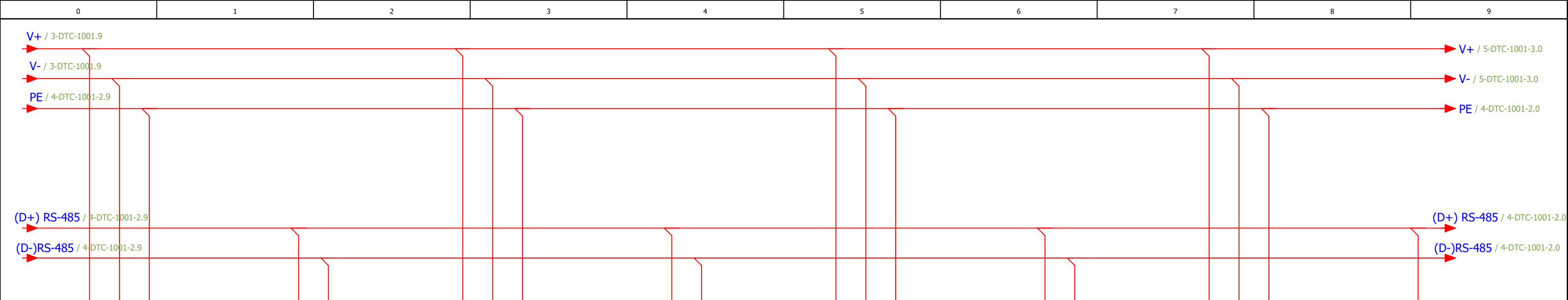


SIGNATURE :

CONTRACT NO :

DATE : 1404/02/08

SHEET : 3 / 13



04				
03				
02				
01	MR.OMIDI	MDP	MR.FASANGHARI	MR.GHASEMKHANI
REV	DRAWN	DESCRIPTION	CHEKED BY	APPROVED BY

DRAWING TITLE : EPLAN

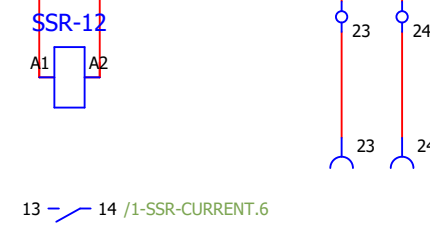
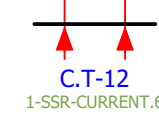
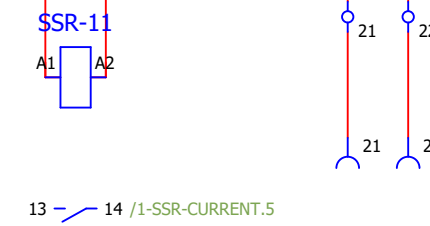
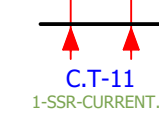
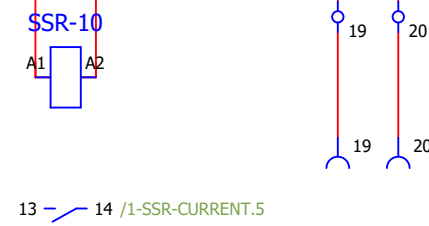
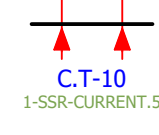
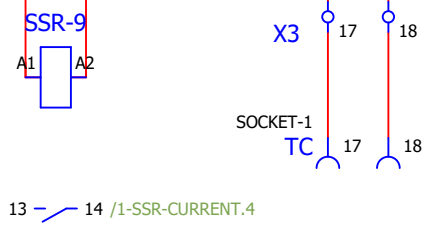
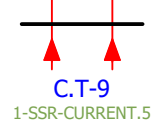
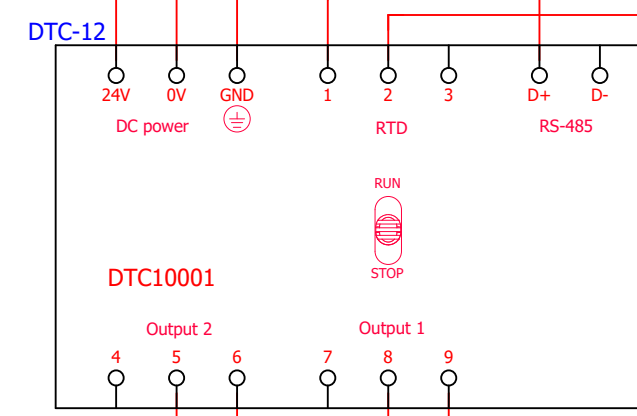
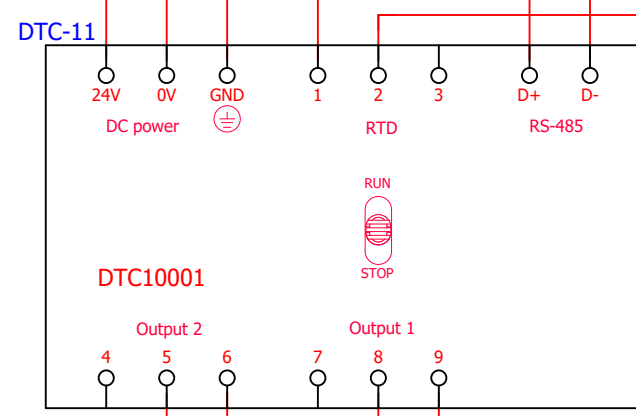
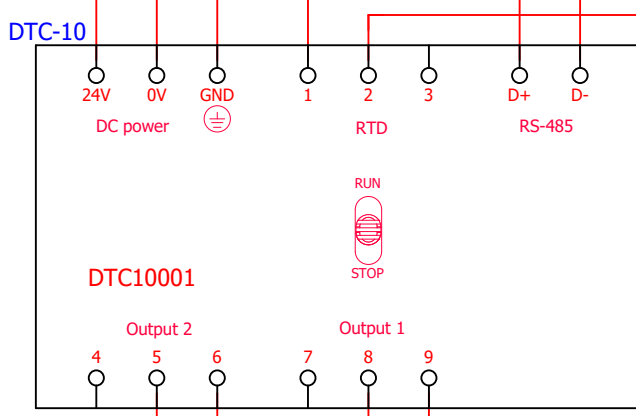
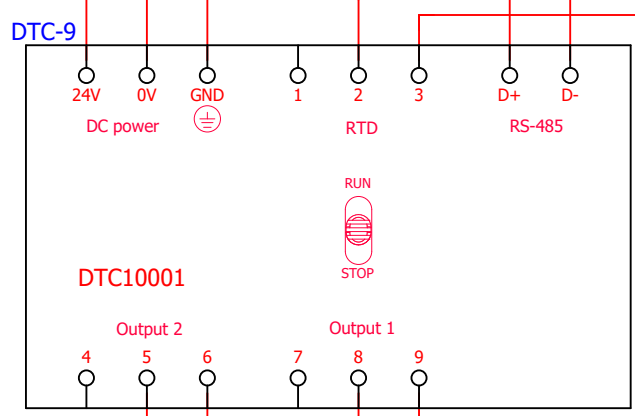
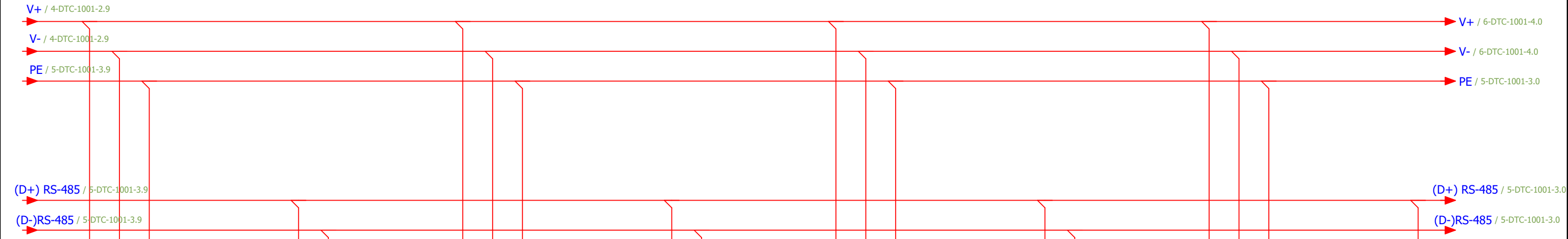
EMPLOYER : ALFATECH.CO

CONSULTING : NICSANAT.CO

CONTRACTOR : NICSANAT.CO

SIGNATURE :

CONTRACT NO :
 DATE : 1404/02/08
 SHEET : 4 / 13



04				
03				
02				
01	MR.OMIDI	MDP	MR.FASANGHARI	MR.GHASEMKHANI
REV	DRAWN	DESCRIPTION	CHEKED BY	APPROVED BY

DRAWING TITLE : EPLAN

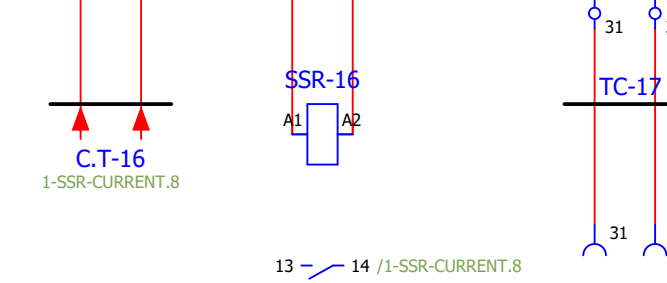
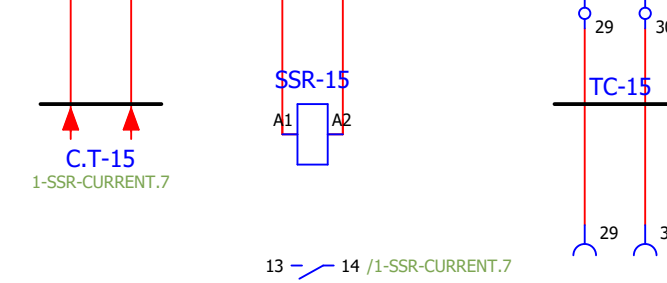
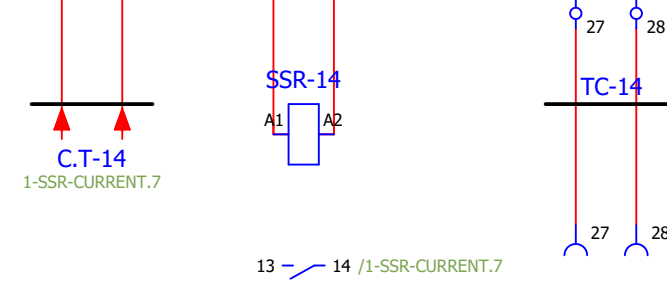
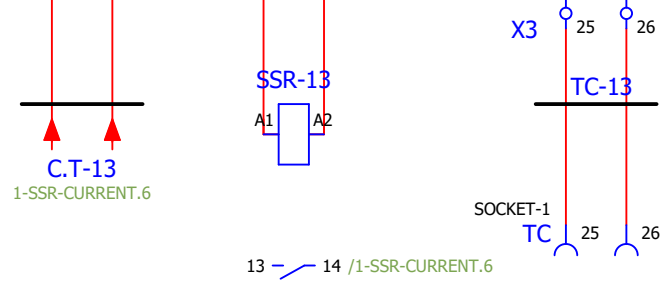
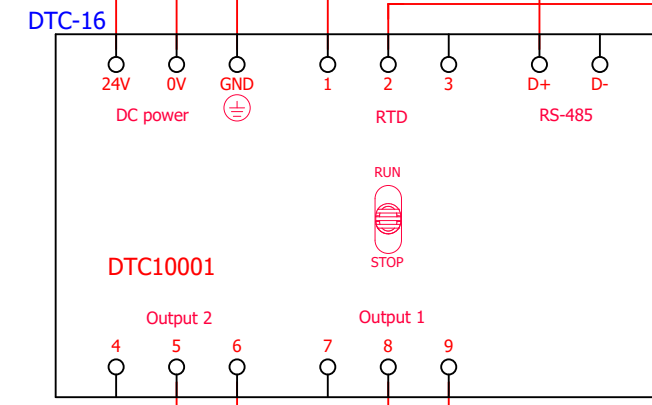
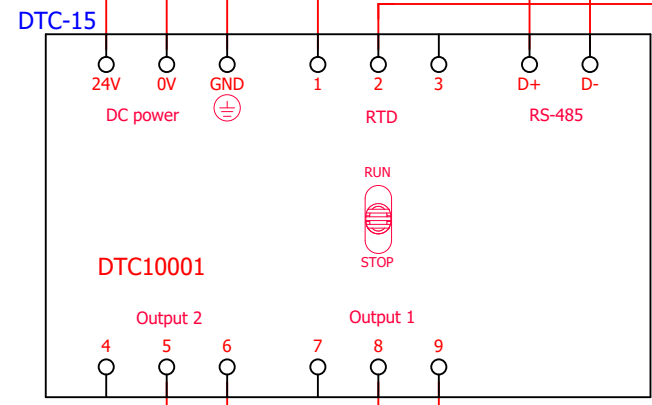
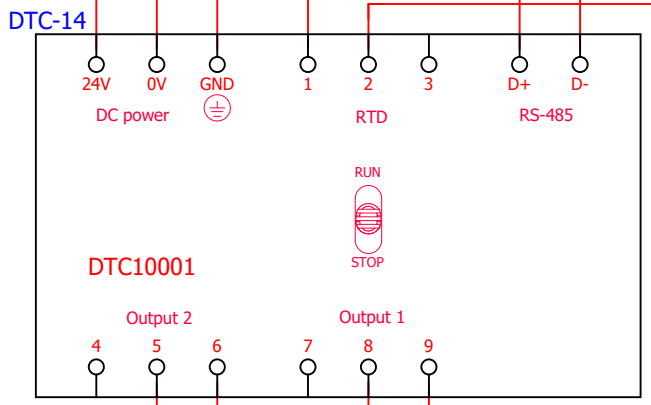
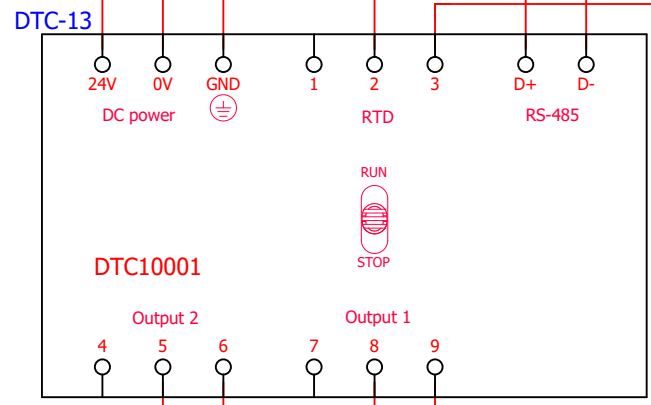
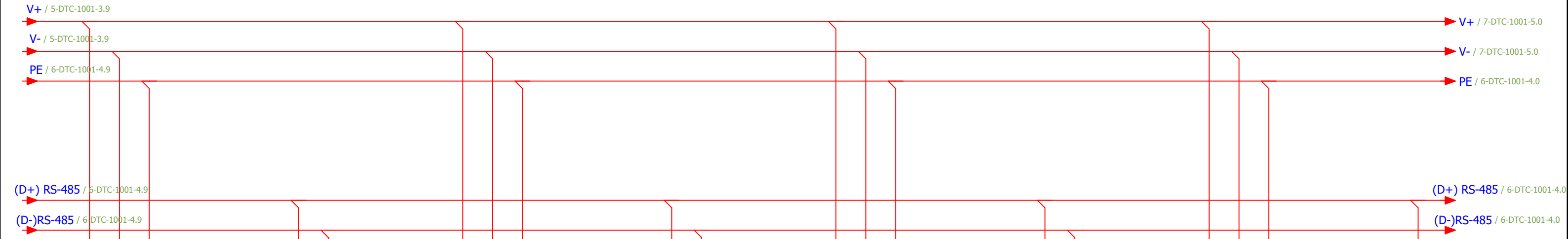
EMPLOYER : ALFATECH.CO

CONSULTING : NICSANAT.CO

CONTRACTOR : NICSANAT.CO

SIGNATURE :

CONTRACT NO :
 DATE : 1404/02/08
 SHEET : 5 / 13



04				
03				
02				
01	MR.OMIDI	MDP	MR.FASANGHARI	MR.GHASEMKHANI
REV	DRAWN	DESCRIPTION	CHEKED BY	APPROVED BY

DRAWING TITLE : EPLAN

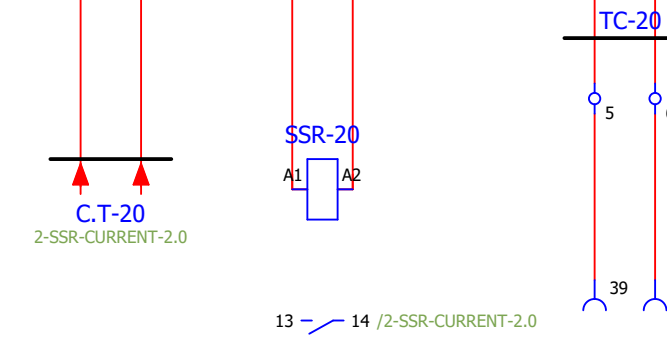
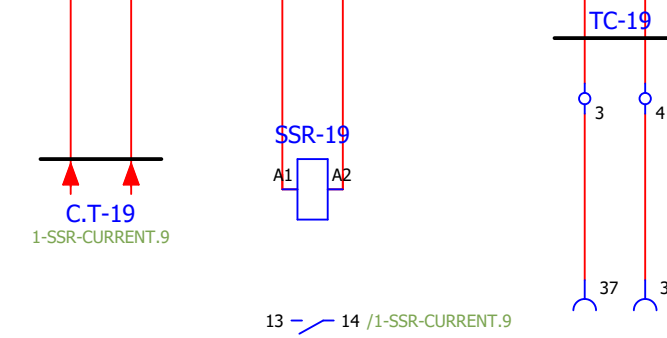
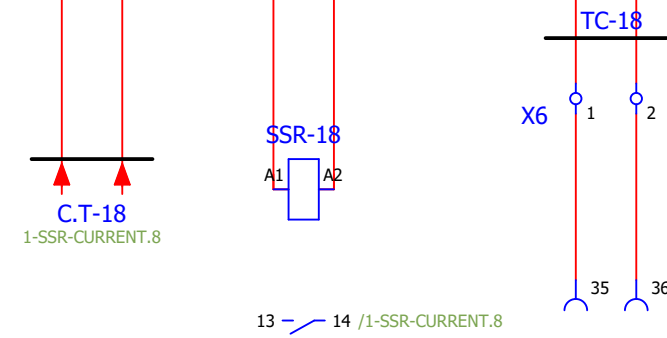
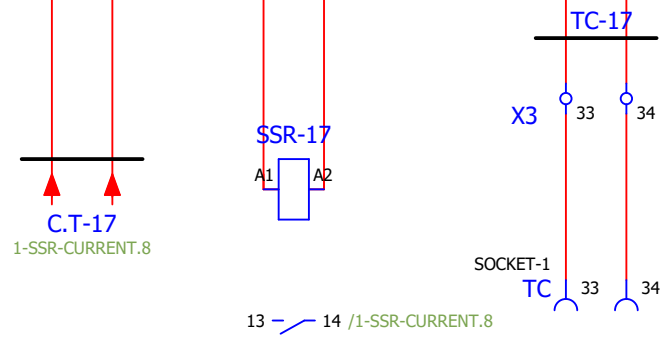
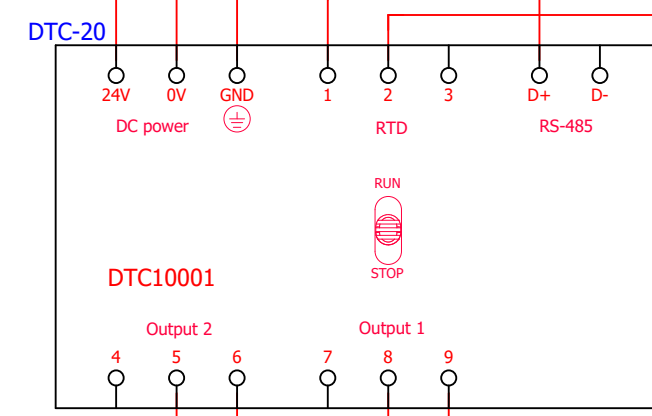
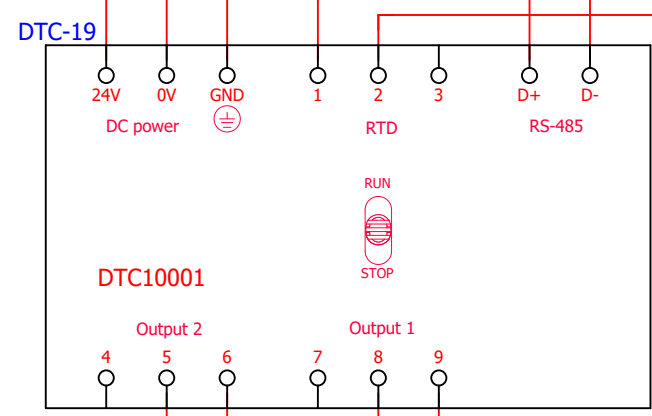
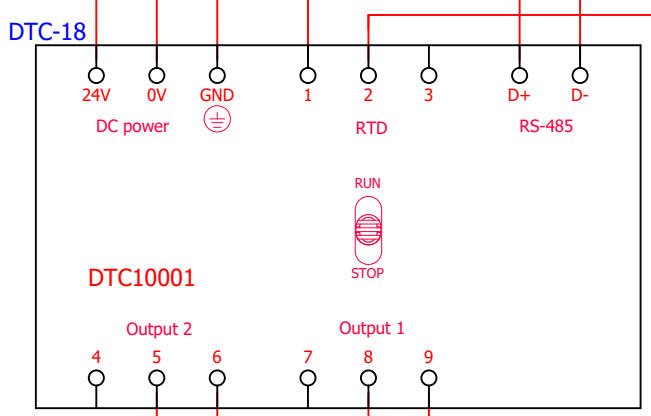
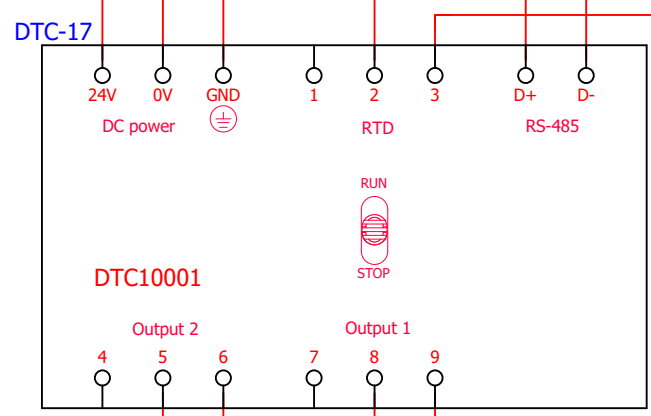
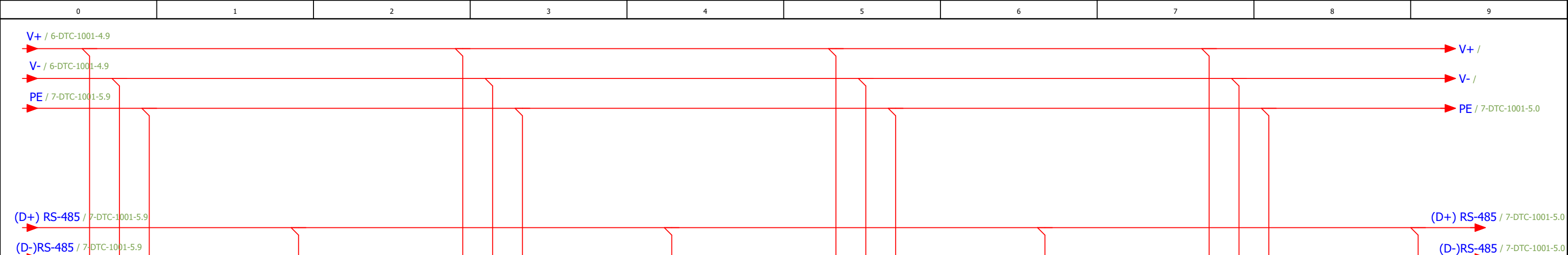
EMPLOYER : ALFATECH.CO

CONSULTING : NICSANAT.CO

CONTRACTOR : NICSANAT.CO

SIGNATURE :

CONTRACT NO :
 DATE : 1404/02/08
 SHEET : 6 / 13



04				
03				
02				
01	MR.OMIDI	MDP	MR.FASANGHARI	MR.GHASEMKHANI
REV	DRAWN	DESCRIPTION	CHEKED BY	APPROVED BY

DRAWING TITLE : EPLAN

EMPLOYER : ALFATECH.CO

CONSULTING : NICSANAT.CO

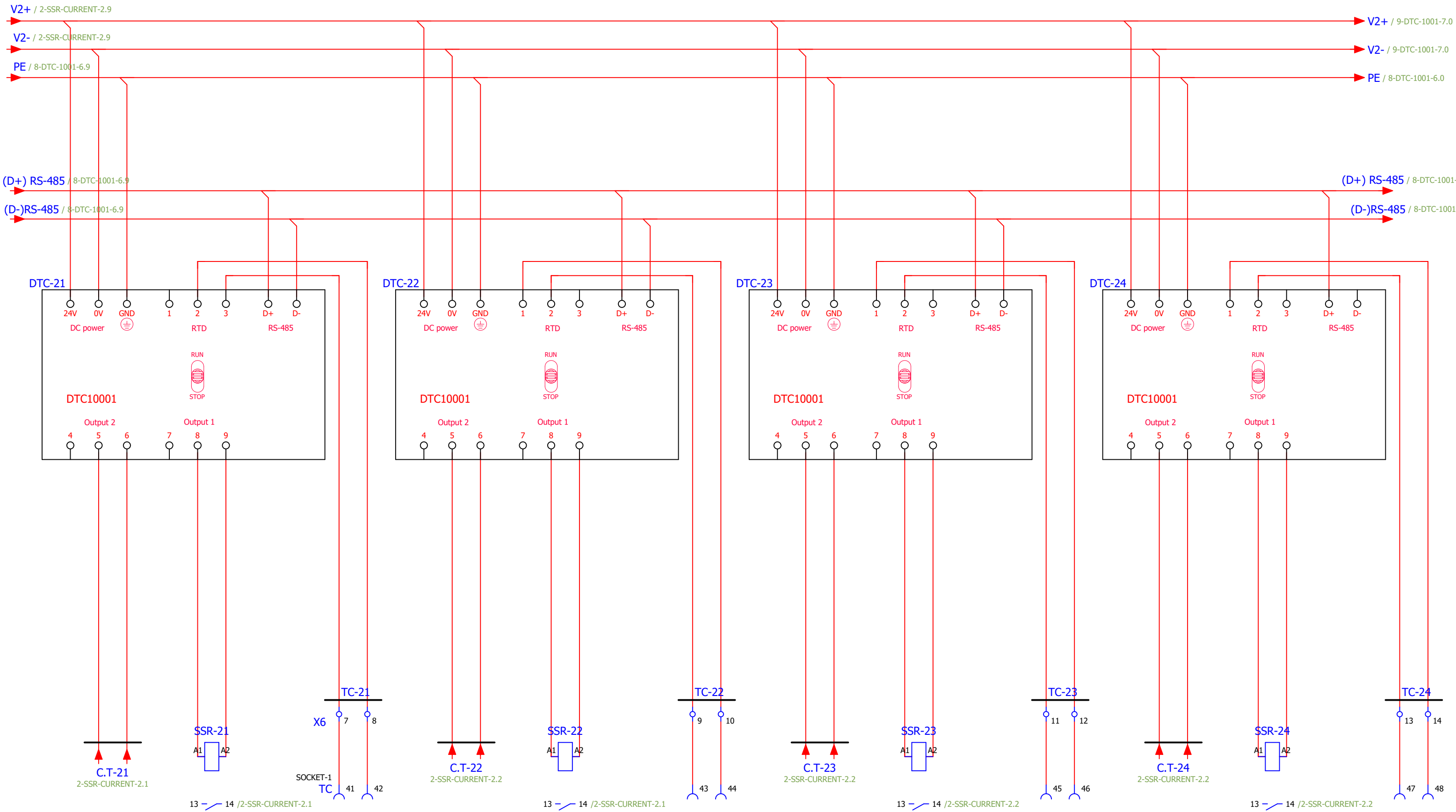
CONTRACTOR : NICSANAT.CO

SIGNATURE :

CONTRACT NO :

DATE : 1404/02/08

SHEET : 7 / 13




04				
03				
02				
01	MR.OMIDI	MDP	MR.FASANGHARI	MR.GHASEMKHANI
REV	DRAWN	DESCRIPTION	CHEKED BY	APPROVED BY

DRAWING TITLE : EPLAN



EMPLOYER : ALFATECH.CO



CONSULTING : NICSANAT.CO



CONTRACTOR : NICSANAT.CO

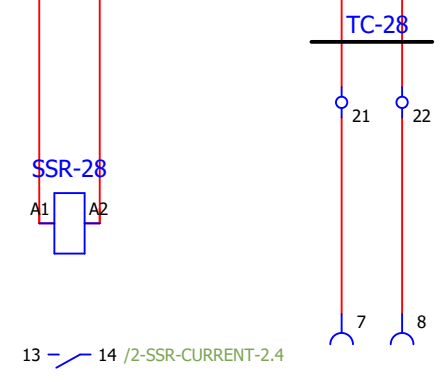
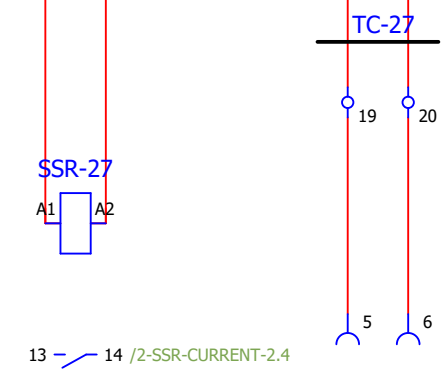
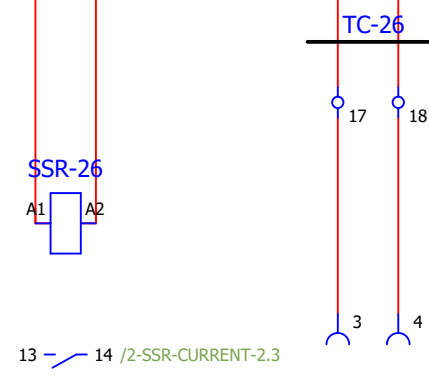
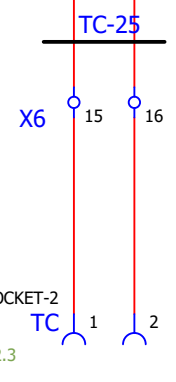
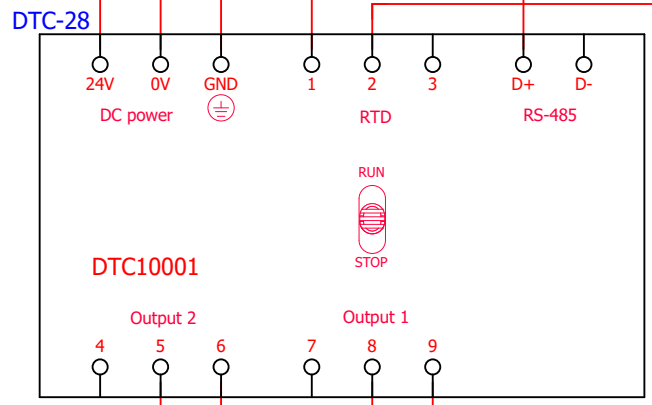
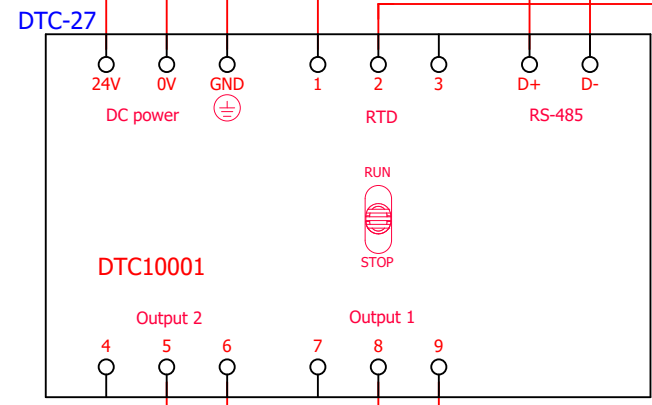
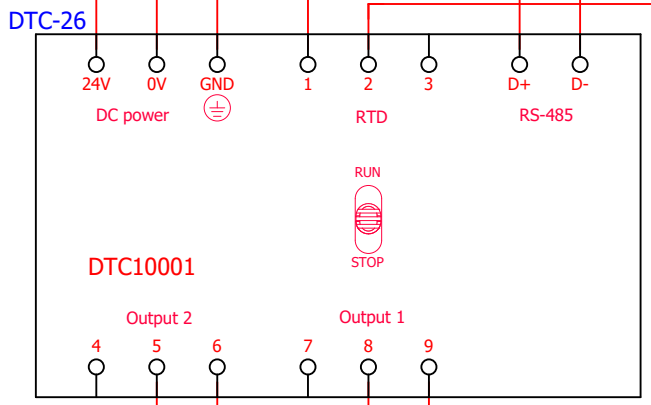
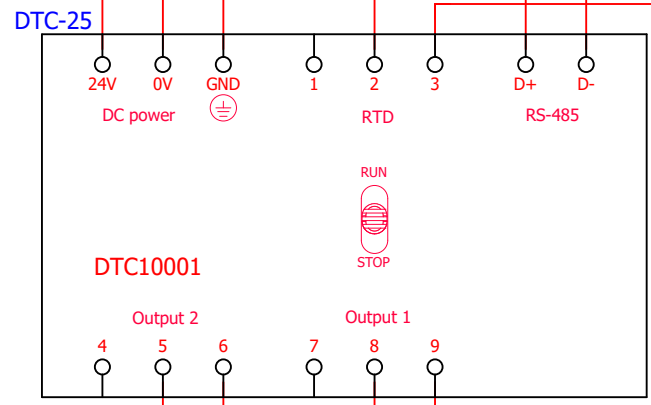
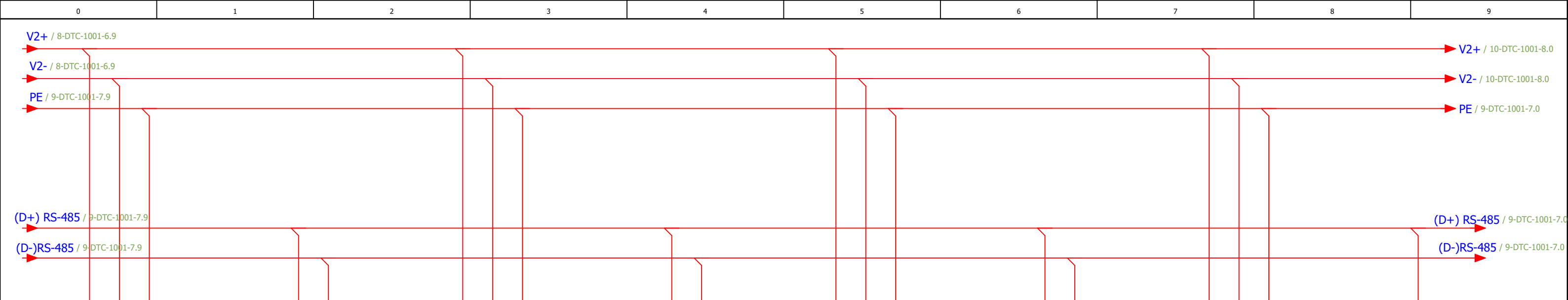


SIGNATURE :

CONTRACT NO :

DATE : 1404/02/08

SHEET : 8 / 13



04				
03				
02				
01	MR.OMIDI	MDP	MR.FASANGHARI	MR.GHASEMKHANI
REV	DRAWN	DESCRIPTION	CHEKED BY	APPROVED BY

DRAWING TITLE : EPLAN

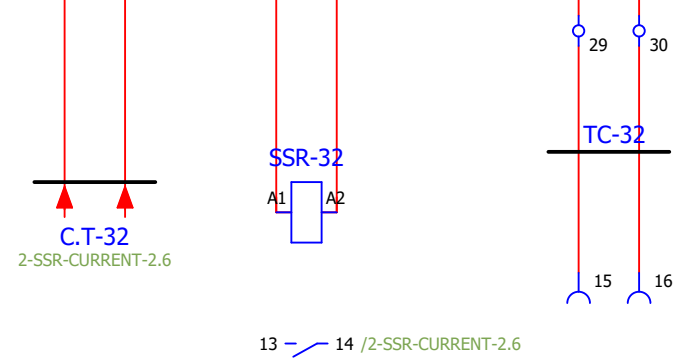
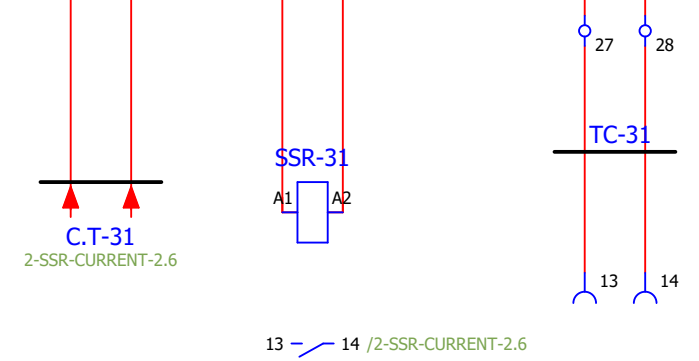
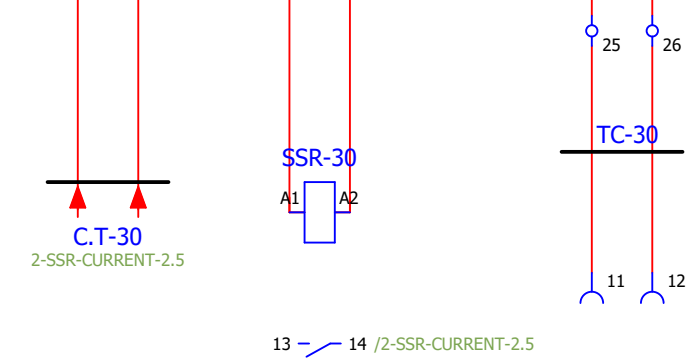
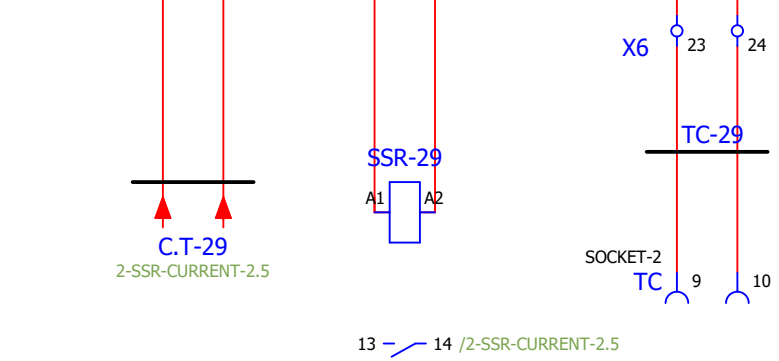
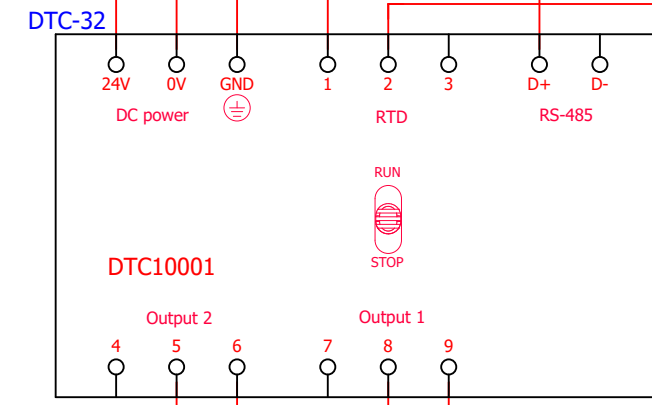
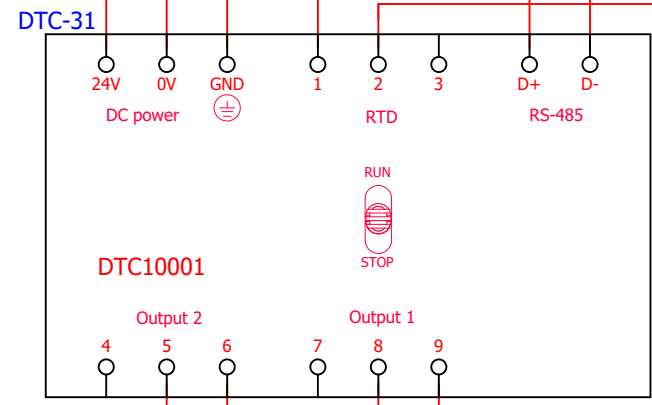
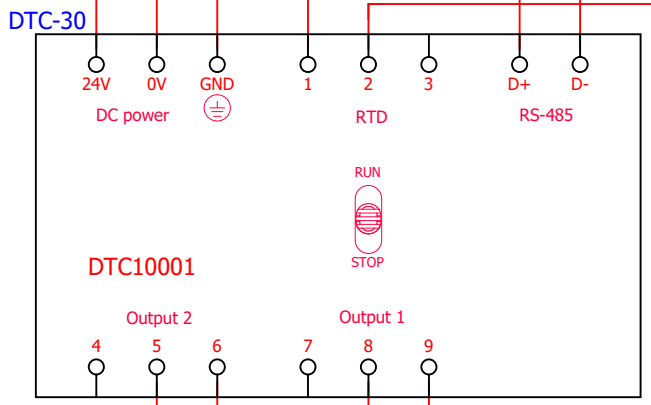
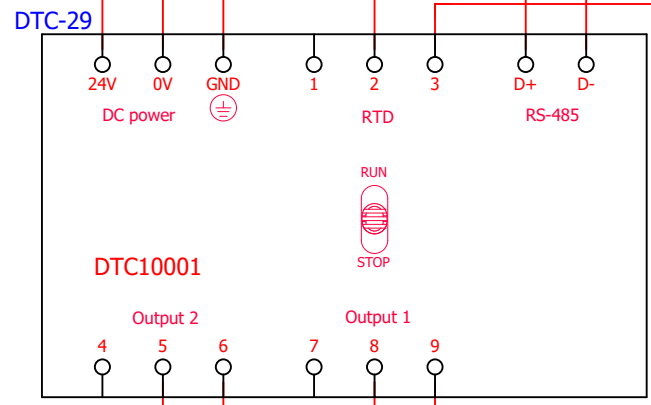
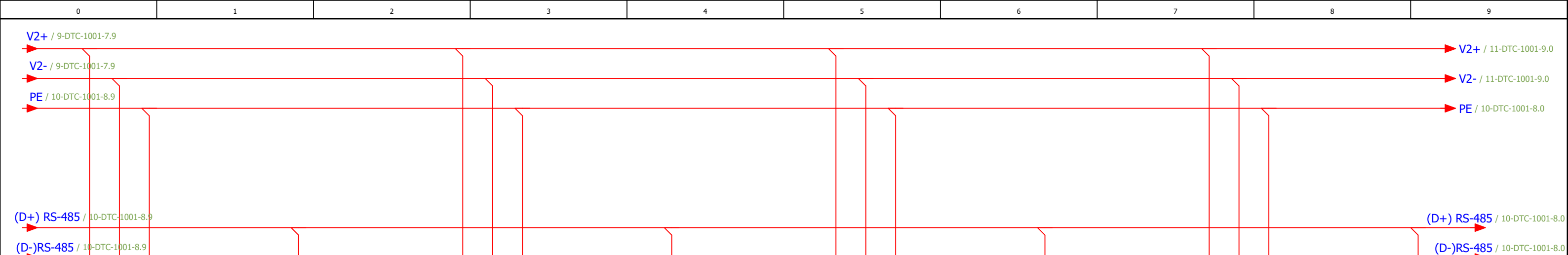
EMPLOYER : ALFATECH.CO

CONSULTING : NICSANAT.CO

CONTRACTOR : NICSANAT.CO

SIGNATURE :

CONTRACT NO :
 DATE : 1404/02/08
 SHEET : 9 / 13



04				
03				
02				
01	MR.OMIDI	MDP	MR.FASANGHARI	MR.GHASEMKHANI
REV	DRAWN	DESCRIPTION	CHEKED BY	APPROVED BY

DRAWING TITLE : EPLAN

EMPLOYER : ALFATECH.CO

CONSULTING : NICSANAT.CO

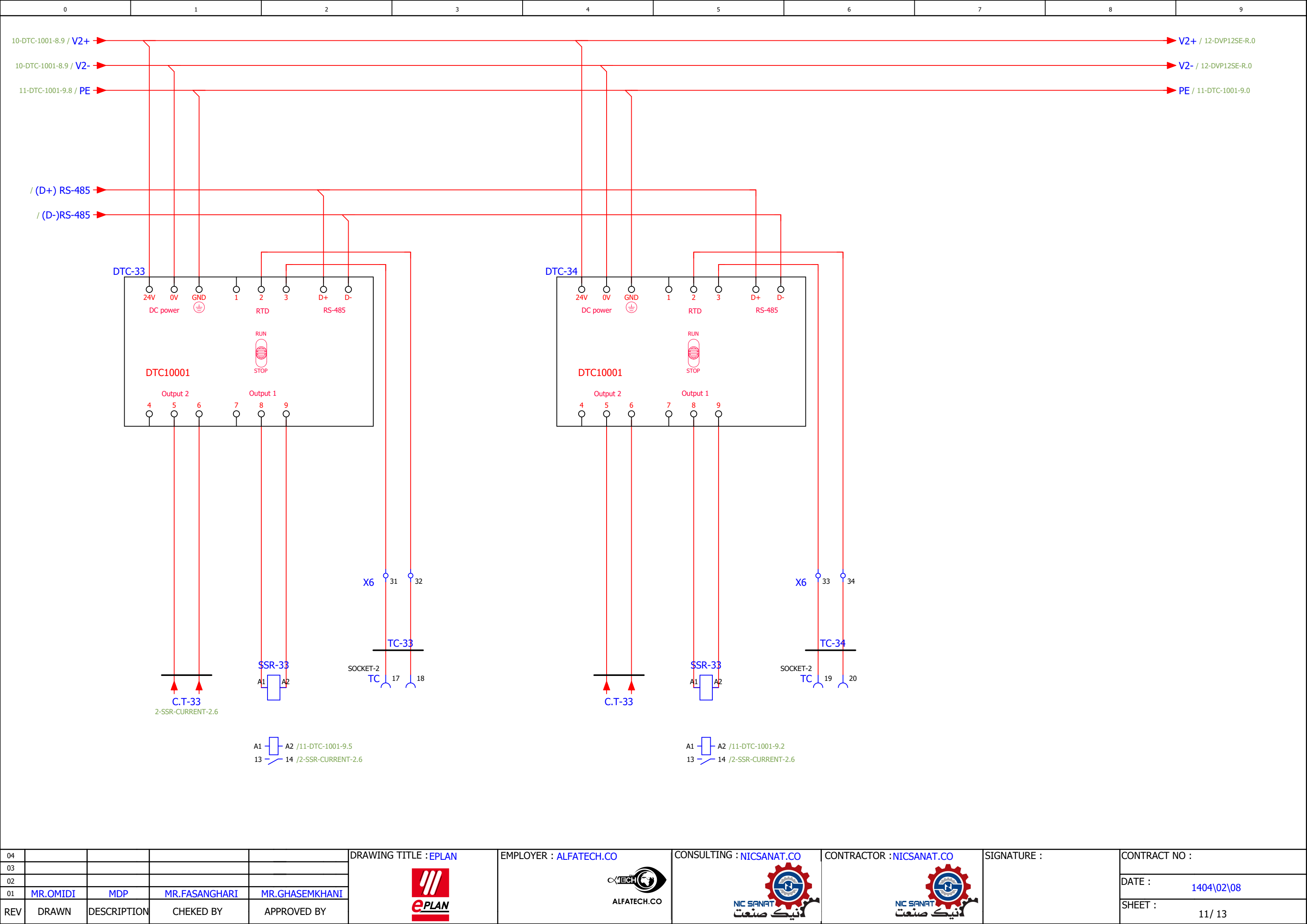
CONTRACTOR : NICSANAT.CO

SIGNATURE :

CONTRACT NO :

DATE : 1404/02/08

SHEET : 10/ 13



04				
03				
02				
01	MR.OMIDI	MDP	MR.FASANGHARI	MR.GHASEMKHANI
REV	DRAWN	DESCRIPTION	CHEKED BY	APPROVED BY

DRAWING TITLE : EPLAN

EMPLOYER : ALFATECH.CO

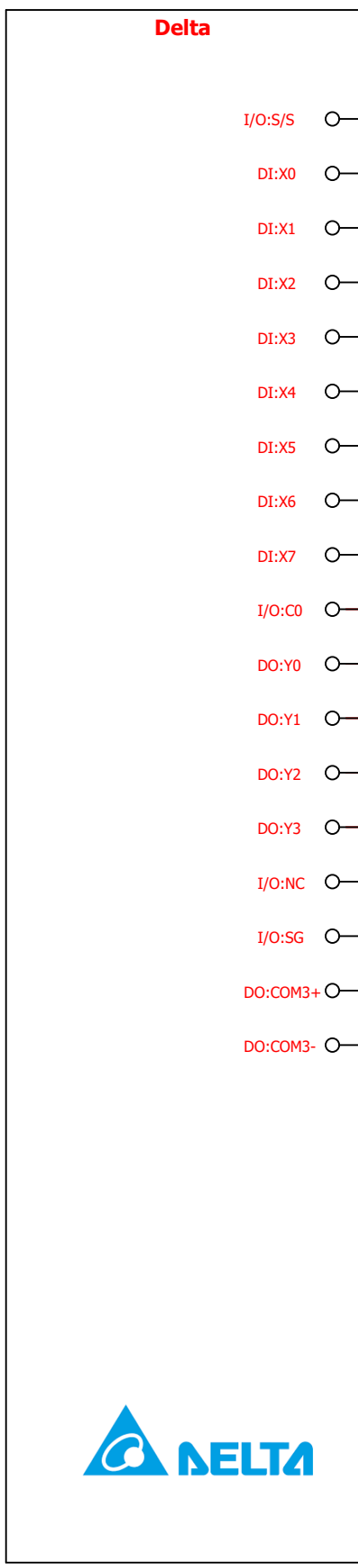
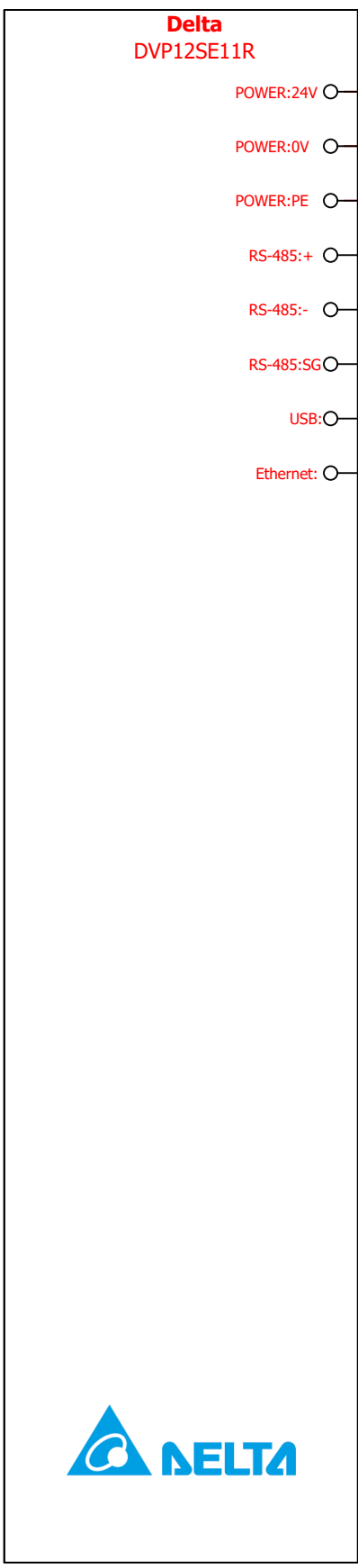
CONSULTING : NICSANAT.CO

CONTRACTOR : NICSANAT.CO

SIGNATURE :

CONTRACT NO :
 DATE : 1404\02\08
 SHEET : 11/ 13

11-DTC-1001-9.8 / V2+ → V2+ / 13-LIGHT -BUZZER.2
 11-DTC-1001-9.8 / V2- → V2- / 13-LIGHT -BUZZER.2
 12-DVP12SE-R.9 / PE → PE / 12-DVP12SE-R.0



LIGHT-TOWER-R / 13-LIGHT -BUZZER.2
 LIGHT-TOWER-Y / 13-LIGHT -BUZZER.2
 LIGHT-TOWER-G / 13-LIGHT -BUZZER.2
 BUZZER / 13-LIGHT -BUZZER.2

04				
03				
02				
01	MR.OMIDI	MDP	MR.FASANGHARI	MR.GHASEMKHANI
REV	DRAWN	DESCRIPTION	CHEKED BY	APPROVED BY

DRAWING TITLE : EPLAN

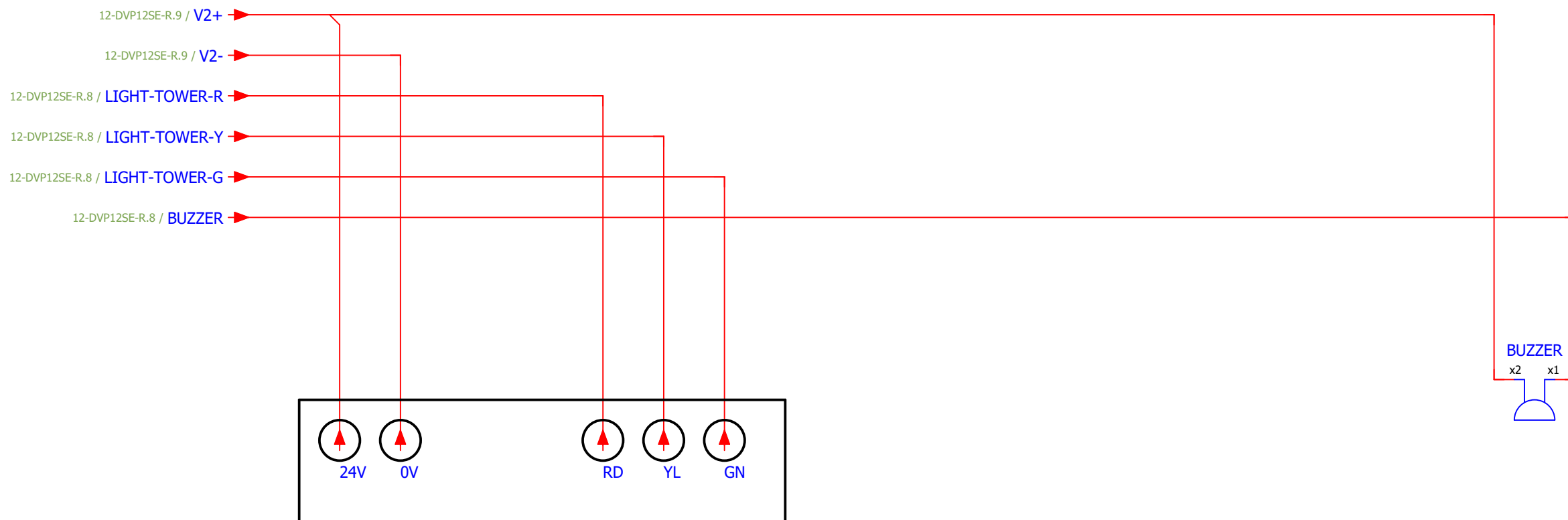
EMPLOYER : ALFATECH.CO

CONSULTING : NICSANAT.CO

CONTRACTOR : NICSANAT.CO

SIGNATURE :

CONTRACT NO :
 DATE : 1404\02\08
 SHEET : 12/ 13



04				
03				
02				
01				
REV	DRAWN	DESCRIPTION	CHEKED BY	APPROVED BY

DRAWING TITLE :

EMPLOYER :

CONSULTING :

CONTRACTOR :



SIGNATURE :

CONTRACT NO :
 DATE :
 SHEET : 13/ 13

