

MD200 AC Drive

Open loop, general purpose, compact drive

Features & Functions

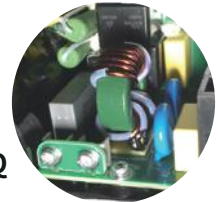
- Open loop V/F & Sensorless Vector Control
- Starting torque 150% at 3 Hz in SVC mode
- Modbus RTU or CANlink¹
- Automatic torque boost
- Slip compensation
- Easy startup with simplified parameters
- 2 Independent S-ramps
- Flexible programmable I/Os
- Variable DC injection braking
- Comprehensive diagnostics
- Output frequency: 500 Hz
- Built-in dynamic braking unit

NEW

Wide operating voltage
Single-phase 200 to 240 Vac
0.4 to 2.2 kW
Three-phase 380 to 480 Vac
0.4 to 3.7 kW

CE

UL US
LISTED
E467465
IND.CONT.EQ



NEW

Internal EMC filter (Category C3)²

Complies with EN61800-3
Category C2
2nd Environment
(with external EMC filter)

NEW

PM motor control¹

Operation in high ambient
temperatures $\leq 50^{\circ}\text{C}$
Please note: If operating above 40°C ,
derating is required

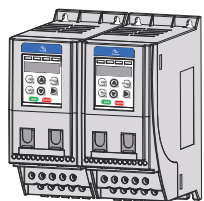
Enhanced reliability and
protection against humidity and
dust pollution with class 2 conformal
coating (resistant to 3C3 and 3S2
environments).

Onboard comms
Modbus RTU
(optional CANlink⁴)

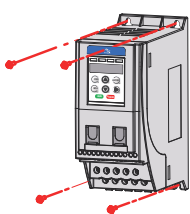
PC-Based
software:
simplified
start up &
backup³

NEW

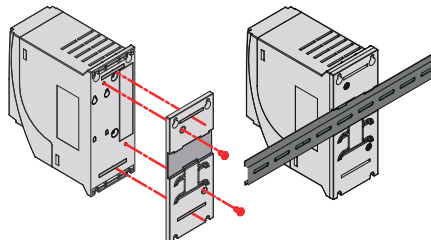
Flexible installation modes



Side-by-Side



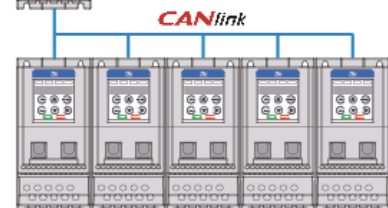
Wall Mounted



DIN rail mounted



CANlink speed sync.



Notes:

- *1 Special versions. Contact your local Inovance Representative.
- *2 Only single phase supply models.
- *3 PC comms kit is required (optional accessory).
- *4 CANlink is Inovance's proprietary serial comms.

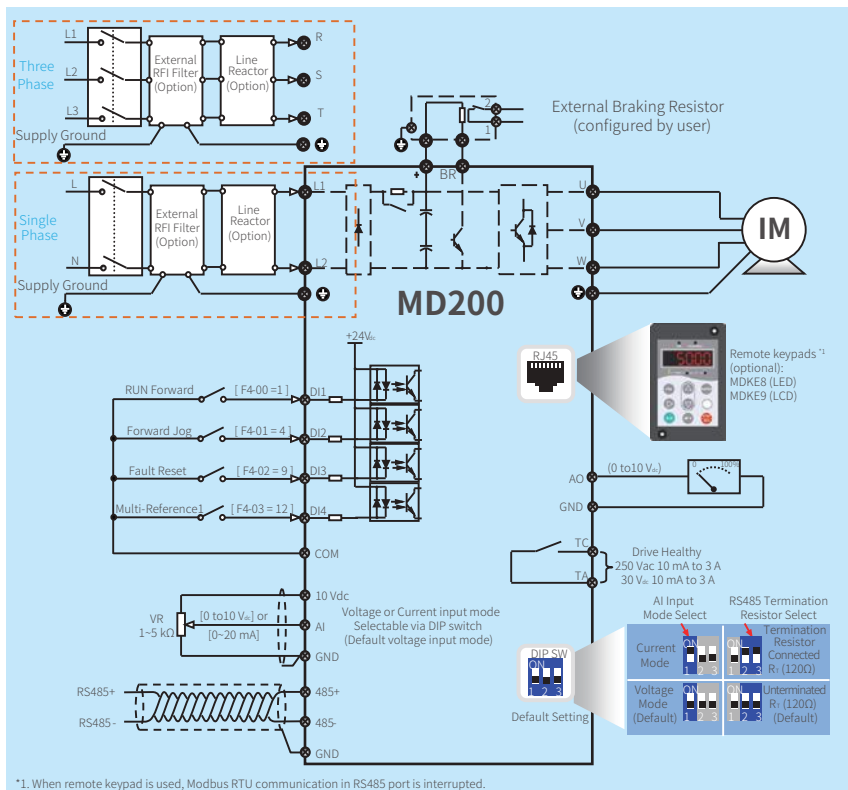
General Specifications

Voltage Class		Single-phase 220 Vac				Three-phase 400 Vac					
Drive Model: MD200xxxB-INT		S0.4B	S0.75B	S1.5B	S2.2B	T0.4B	T0.75B	T1.5B	T2.2B	T3.7B	
Dimensions	Height Width Depth	[H1]: 180 mm [W]: 75 mm [D]: 145 mm				[H1]: 180 mm [W]: 75 mm [D]: 145 mm					
Drive Input	Rated input voltage	Single-phase 200 to 240 Vac -15% to +10%				Three-phase 380 to 480 Vac -15% to +10%					
	Rated input current [A]	6.5	11.0	18.0	27.0	2.6	4.5	5.5	6.5	11	
	Power capacity [kVA]	1.7	3.0	4.8	7.1	1	1.5	3.0	4.0	5.9	
	Rated input frequency	50/60 Hz $\pm 5\%$ (47.5 to 63 Hz)									
Drive Output	Applicable motor	[kW]	0.4	0.75	1.5	2.2	0.4	0.75	1.5	2.2	3.7
		[HP]	0.5	1	2	3	0.5	1	2	3	5
	Output Current [A] ⁵	2.6	4.6	8	11	1.8	3.4	4.8	5.5	9.5	
	Overload Capacity	150% for 60 s & 180% for 3 s									
	Max. output voltage	200 to 240 Vac (proportional to input voltage)					380 to 480 Vac (proportional to input voltage)				
	Max. output frequency	500 Hz									
Braking Resistor	Recommended power [W]	80	80	100	100	150	150	250	300	400	
	Minimum resistance [Ω]	≥ 47.1	≥ 47.1	≥ 31.4	≥ 31.4	≥ 64.3	≥ 64.3	≥ 64.3	≥ 64.3	≥ 64.3	
Enclosure ⁶		IP20									

⁵ Rated output current at a carrier frequency of 6 kHz.

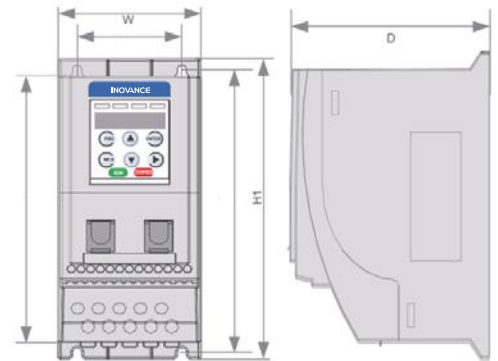
⁶ All units are fan cooled.

General Connection Diagram



*1. When remote keypad is used, Modbus RTU communication in RS485 port is interrupted.

Dimensions



Remote Keypads (optional)



Model: MDKES9
Dimensions: 123 H x 72 W x 26.4 D (mm)
IP Rating: IP20
Matching cable model:
 MDCAB 3.0 m (included)



Model: MDKES8 (LED type)
Dimensions: 116 H x 76 W x 40 D (mm)
IP Rating: IP20
Matching cable model:
 MDCAB 3.0 m (included)
 Potentiometer (single turn)

For more information, please contact our local offices.

International Offices

Germany-Stuttgart
 Tel: +49 (0) 7144 8990
 sales.de@inovance.eu

Italy-Milano
 Tel: +39 (0) 2268 22318
 sales.it@inovance.eu

France-Bordeaux
 Tel: +33 (0) 5594 01050
 sales.fr@inovance.eu

Turkey-Istanbul
 Tel: +90 (216) 706 17 89
 info@inovance.eu

South Korea-Seoul
 Tel: +82 (0) 10 7428 5732
 info@inovance.eu

India
Head Office Chennai
 Tel: +91 (0) 44 4380 0201
Ahmedabad
 Tel: +91 (0) 79 4003 4274

Mumbai
 Tel: +91 (0) 22 4971 5883
New Delhi
 Tel: +91 (0) 11 4165 4524

Sales Network in Kolkata, Bengaluru, Coimbatore, Hyderabad, Pune, Vadodara
 Email: info@inovance.ind.in

Hong Kong SAR
International Export Office
 Tel: +852 2751 6080
 info@inovance.eu

For other country distributors, contact the Hong Kong office.

Inovance Technology Companies
 Shenzhen Inovance Technology Co., Ltd.
 Suzhou Inovance Technology Co., Ltd.

INOVANCE
www.inovance.eu