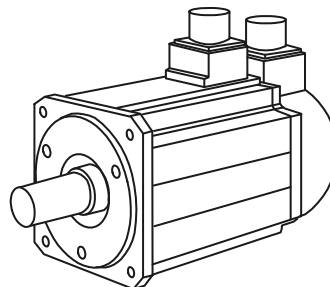
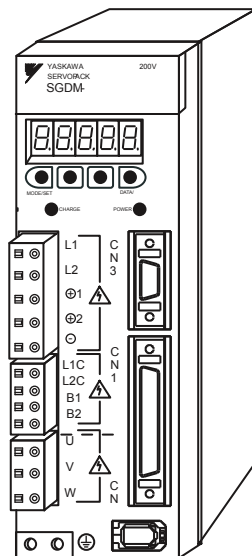


# AC Servo Drives Σ-II Series SGM□□/SGDM USER'S MANUAL

SGMAH/SGMPH/SGMGH/SGMSH/SGMDH/SGMCS Servomotors  
SGDM SERVOPACK

[www.nicsanat.com](http://www.nicsanat.com)

021-87700210



Outline	1
Selections	2
Servomotor Specifications and Dimensional Drawings	3
SERVOPACK Specifications and Dimensional Drawings	4
Specifications and Dimensional Drawings of Cables and Peripheral Devices	5
Wiring	6
Digital Operator/Panel Operator	7
Operation	8
Adjustments	9
Upgraded Versions	10
Inspection, Maintenance, and Troubleshooting	11
Appendix	12

[www.nicsanat.com](http://www.nicsanat.com)

021-87700210



Copyright © 2003 YASKAWA ELECTRIC CORPORATION

All rights reserved. No part of this publication may be reproduced, stored in a retrieval system, or transmitted, in any form, or by any means, mechanical, electronic, photocopying, recording, or otherwise, without the prior written permission of Yaskawa. No patent liability is assumed with respect to the use of the information contained herein. Moreover, because Yaskawa is constantly striving to improve its high-quality products, the information contained in this manual is subject to change without notice. Every precaution has been taken in the preparation of this manual. Nevertheless, Yaskawa assumes no responsibility for errors or omissions. Neither is any liability assumed for damages resulting from the use of the information contained in this publication.

---

## About this Manual

### ■ Intended Audience

This manual is intended for the following users.

- Those selecting  $\Sigma$ -II Series servo drives or peripheral devices for  $\Sigma$ -II Series servo drives.
- Those wanting to know about the ratings and characteristics of  $\Sigma$ -II Series servo drives.
- Those designing  $\Sigma$ -II Series servo drive systems.
- Those installing or wiring  $\Sigma$ -II Series servo drives.
- Those performing trial operation or adjustments of  $\Sigma$ -II Series servo drives.
- Those maintaining or inspecting  $\Sigma$ -II Series servo drives.

### ■ Description of Technical Terms

The terms in this manual are defined as follows:

- Servomotor or motor =  $\Sigma$ -II Series SGMAH, SGMPH, SGMGH, SGMSH, SGMDH, SGMCS servomotor.
- SERVOPACK =  $\Sigma$ -II Series SGDM amplifier.
- Servo drive = A set including a servomotor and servo amplifier.
- Servo System = A servo control system that includes the combination of a servo drive with a host computer and peripheral devices.
- Parameter number = Numbers that the user inputs toward the SERVOPACK.

### ■ Indication of Reverse Signals

In this manual, the names of reverse signals (ones that are valid when low) are written with a forward slash (/) before the signal name, as shown in the following example:

- $\overline{\text{S-ON}}$  = /S-ON
- $\overline{\text{P-CON}}$  = /P-CON



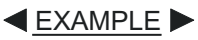

## ■ Quick access to your required information

Read the chapters marked with ✓ to get the information required for your purpose.

Chapter	SERVOPACKs, Servomotors, and Peripheral Devices	Ratings and Characteristics	System Design	Panel Configuration and Wiring	Trial Operation and Servo Adjustment	Inspection and Maintenance
Chapter 1 Outline	✓					
Chapter 2 Selections	✓					
Chapter 3 Servomotor Specifications and Dimensional Drawings	✓	✓	✓	✓		
Chapter 4 SERVOPACK Specifications and Dimensional Drawings	✓	✓	✓	✓		
Chapter 5 Specifications and Dimensional Drawings of Cables and Peripheral Devices	✓	✓	✓	✓		
Chapter 6 Wiring			✓	✓	✓	
Chapter 7 Digital Operator/Panel Operator			✓		✓	
Chapter 8 Operation					✓	
Chapter 9 Adjustments						✓
Chapter 10 Upgraded Versions	✓		✓		✓	✓
Chapter 11 Inspection, Maintenance, and Troubleshooting						✓
Chapter 12 Appendix	✓		✓		✓	✓

## ■ Visual Aids

The following aids are used to indicate certain types of information for easier reference.

- 
  - Indicates important information that should be memorized, including precautions such as alarm displays to avoid damaging the devices.
- 
  - Indicates supplemental information.
- 
  - Indicates application examples.
- 
  - Indicates definitions of difficult terms or terms that have not been previously explained in this manual.

---

## Related Manuals

Refer to the following manuals as required.

Manual Name	Manual Number	Contents
$\Sigma$ -II Series SGM□H/SGDM Digital Operator Operation Manual	TOE-S800-34	Provides detailed information on the operating method of JUSP-OP02A-2 type Digital Operator (option device).
$\Sigma$ Series/ $\Sigma$ -II Series SERVOPACKs Personal Computer Monitoring Software Operation Manual	SIE-S800-35	Describes the using and the operating methods on software that changes the local personal computer into the monitor equipment for the $\Sigma$ -II Series servomotor.

## Safety Information

The following conventions are used to indicate precautions in this manual. Failure to heed precautions provided in this manual can result in serious or possibly even fatal injury or damage to the products or to related equipment and systems.




Indicates precautions that, if not heeded, could possibly result in loss of life or serious injury.




Indicates precautions that, if not heeded, could result in relatively serious or minor injury, damage to the product, or faulty operation.

In some situations, the precautions indicated could have serious consequences if not heeded.



Indicates prohibited actions that must not be performed. For example, this symbol would be used as follows to indicate that fire is prohibited: .



Indicates compulsory actions that must be performed. For example, this symbol would be used as follows to indicate that grounding is compulsory: .

## Notes for Safe Operation

Read this manual thoroughly before checking products on delivery, storage and transportation, installation, wiring, operation and inspection, and disposal of the AC servo drive.

### WARNING

- Never touch any rotating motor parts while the motor is running.  
Failure to observe this warning may result in injury.
- Before starting operation with a machine connected, make sure that an emergency stop can be applied at any time.  
Failure to observe this warning may result in injury.
- Never touch the inside of the SERVOPACKs.  
Failure to observe this warning may result in electric shock.
- Do not touch terminals for five minutes after the power is turned OFF.  
Residual voltage may cause electric shock.
- Do not touch terminals for five minutes after voltage resistance test.  
Residual voltage may cause electric shock.
- Follow the procedures and instructions for trial operation precisely as described in this manual.  
Malfunctions that occur after the servomotor is connected to the equipment not only damage the equipment, but may also cause an accident resulting in death or injury.
- The multiturn limit value must be changed only for special applications.  
Changing it inappropriately or unintentionally can be dangerous.
- If the Multiturn Limit Disagreement alarm (A.CC) occurs, check the setting of parameter Pn205 in the SERVOPACK to be sure that it is correct.  
If Fn013 is executed when an incorrect value is set in Pn205, an incorrect value will be set in the encoder. The alarm will disappear even if an incorrect value is set, but incorrect positions will be detected, resulting in a dangerous situation where the machine will move to unexpected positions.
- Do not remove the front cover, cables, connectors, or optional items while the power is ON.  
Failure to observe this warning may result in electric shock.
- Installation, disassembly, or repair must be performed only by authorized personnel.  
Failure to observe this warning may result in electric shock or injury.
- Do not damage, press, exert excessive force or place heavy objects on the cables.  
Failure to observe this warning may result in electric shock, stopping operation of the product, or burning.
- Provide an appropriate stopping device on the machine side to ensure safety.  
A holding brake for a servomotor with brake is not a stopping device for ensuring safety.  
Failure to observe this warning may result in injury.
- Do not come close to the machine immediately after resetting momentary power loss to avoid an unexpected restart.  
Take appropriate measures to ensure safety against an unexpected restart.  
Failure to observe this warning may result in injury.
- Do not modify the product.  
Failure to observe this warning may result in injury or damage to the product.
- Connect the ground terminal to electrical codes (ground resistance: 100  $\Omega$  or less).  
Improper grounding may result in electric shock or fire.



[www.nicsanat.com](http://www.nicsanat.com)

021-87700210



## ■ Checking on Delivery

### CAUTION

- Always use the servomotor and SERVOPACK in one of the specified combinations.  
Failure to observe this caution may result in fire or malfunction.

## ■ Storage and Transportation

### CAUTION

- Do not store or install the product in the following places.
  - Locations subject to direct sunlight.
  - Locations subject to temperatures outside the range specified in the storage or installation temperature conditions.
  - Locations subject to humidity outside the range specified in the storage or installation humidity conditions.
  - Locations subject to condensation as the result of extreme changes in temperature.
  - Locations subject to corrosive or flammable gases.
  - Locations subject to dust, salts, or iron dust.
  - Locations subject to exposure to water, oil, or chemicals.
  - Locations subject to shock or vibration.

Failure to observe this caution may result in fire, electric shock, or damage to the product.

- Do not hold the product by the cables or motor shaft while transporting it.  
Failure to observe this caution may result in injury or malfunction.
- Do not place any load exceeding the limit specified on the packing box.  
Failure to observe this caution may result in injury or malfunction.
- If disinfectants or insecticides must be used to treat packing materials such as wooden frames, pallets, or plywood, the packing materials must be treated before the product is packaged, and methods other than fumigation must be used.  
Example: Heat treatment, where materials are kiln-dried to a core temperature of 56°C for 30 minutes or more.

If the electronic products, which include stand-alone products and products installed in machines, are packed with fumigated wooden materials, the electrical components may be greatly damaged by the gases or fumes resulting from the fumigation process. In particular, disinfectants containing halogen, which includes chlorine, fluorine, bromine, or iodine can contribute to the erosion of the capacitors.



## ■ Installation

### CAUTION

- Never use the products in an environment subject to water, corrosive gases, inflammable gases, or combustibles.  
Failure to observe this caution may result in electric shock or fire.
- Do not step on or place a heavy object on the product.  
Failure to observe this caution may result in injury.
- Do not cover the inlet or outlet parts and prevent any foreign objects from entering the product.  
Failure to observe this caution may cause internal elements to deteriorate resulting in malfunction or fire.
- Be sure to install the product in the correct direction.  
Failure to observe this caution may result in malfunction.
- Provide the specified clearances between the SERVOPACK and the control panel or with other devices.  
Failure to observe this caution may result in fire or malfunction.
- Do not apply any strong impact.  
Failure to observe this caution may result in malfunction.

## ■ Wiring

### CAUTION

- Do not connect a three-phase power supply to the U, V, or W output terminals.  
Failure to observe this caution may result in injury or fire.
- Securely connect the power supply terminals and motor output terminals.  
Failure to observe this caution may result in fire.
- Do not apply stress to connectors.
- Do not bundle or run power and signal lines together in the same duct. Keep power and signal lines separated by at least 30 cm.  
Failure to observe this caution may result in malfunction.
- Use twisted-pair shielded wires or multi-core twisted pair shielded wires for signal and encoder (PG) feedback lines.  
The maximum length is 3 m for reference input lines and is 20 m for PG feedback lines.
- Do not touch the power terminals for five minutes after turning power OFF because high voltage may still remain in the SERVOPACK.  
Make sure the charge indicator is turned OFF first before starting an inspection.
- Avoid frequently turning power ON and OFF. Do not turn power ON or OFF more than once per minute.  
Since the SERVOPACK has a capacitor in the power supply, a high charging current flows for 0.2 seconds when power is turned ON. Frequently turning power ON and OFF causes main power devices such as capacitors and fuses to deteriorate, resulting in unexpected problems.
- Observe the following precautions when wiring main circuit terminal blocks.
  - Remove the terminal block from the SERVOPACK prior to wiring.
  - Insert only one wire per terminal on the terminal block.
  - Make sure that the core wire is not electrically shorted to adjacent core wires.
- Do not connect the SERVOPACK for 100 V and 200 V directly to a voltage of 400 V.  
The SERVOPACK will be destroyed.

## CAUTION

- Install the battery at either the host controller or the SERVOPACK of the encoder.  
It is dangerous to install batteries at both simultaneously, because that sets up a loop circuit between the batteries.
- Be sure to wire correctly and securely.  
Failure to observe this caution may result in motor overrun, injury, or malfunction.
- Always use the specified power supply voltage.  
An incorrect voltage may result in burning.
- Take appropriate measures to ensure that the input power supply is supplied within the specified voltage fluctuation range. Be particularly careful in places where the power supply is unstable.  
An incorrect power supply may result in damage to the product.
- Connect the brake power supply properly, keeping in mind the difference of 90-V and 24-V power supplies.
- Install external breakers or other safety devices against short-circuiting in external wiring.  
Failure to observe this caution may result in fire.
- Do not modify connectors.
- Take appropriate and sufficient countermeasures for each when installing systems in the following locations.
  - Locations subject to static electricity or other forms of noise.
  - Locations subject to strong electromagnetic fields and magnetic fields.
  - Locations subject to possible exposure to radioactivity.
  - Locations close to power supplies including power supply lines.Failure to observe this caution may result in damage to the product.
- Do not reverse the polarity of the battery when connecting it.  
Failure to observe this caution may damage the battery or cause it to explode.

## ■ Operation

### CAUTION

- Conduct trial operation on the servomotor alone with the motor shaft disconnected from machine to avoid any unexpected accidents.  
Failure to observe this caution may result in injury.
- Before starting operation with a machine connected, change the settings to match the parameters of the machine.  
Starting operation without matching the proper settings may cause the machine to run out of control or malfunction.
- Forward run prohibited (P-OT) and reverse run prohibited (N-OT) signals are not effective during zero point search mode using parameter Fn003.
- When using the servomotor for a vertical axis, install the safety devices to prevent workpieces to fall off due to occurrence of alarm or overtravel. Set the servomotor so that it will stop in the zero clamp state at occurrence of overtravel.  
Failure to observe this caution may cause workpieces to fall off due to overtravel.
- When not using the normal autotuning, set to the correct moment of inertia ratio.  
Setting to an incorrect moment of inertia ratio may cause vibration.
- Do not touch the SERVOPACK heatsinks, regenerative resistor, or servomotor while power is ON or soon after the power is turned OFF.  
Failure to observe this caution may result in burns due to high temperatures.
- Do not make any extreme adjustments or setting changes of parameters.  
Failure to observe this caution may result in injury due to unstable operation.
- When an alarm occurs, remove the cause, reset the alarm after confirming safety, and then resume operation.  
Failure to observe this caution may result in injury.
- Do not use the servo brake of the servomotor for ordinary braking.  
Failure to observe this caution may result in malfunction.
- Do not turn the Servo ON or OFF unless necessary.  
Failure to observe this caution may cause internal parts to deteriorate.

## ■ Maintenance and Inspection

### CAUTION

- When replacing the SERVOPACK, transfer the previous SERVOPACK parameters to the new SERVOPACK before resuming operation.  
Failure to observe this caution may result in damage to the product.
- Do not attempt to change wiring while the power is ON.  
Failure to observe this caution may result in electric shock or injury.
- Do not disassemble the servomotor.  
Failure to observe this caution may result in electric shock or injury.



## ■ Disposal

### CAUTION

- When disposing of the products, treat them as ordinary industrial waste.

## ■ General Precautions

### Note the following to ensure safe application.

- The drawings presented in this manual are sometimes shown without covers or protective guards. Always replace the cover or protective guard as specified first, and then operate the products in accordance with the manual.
- The drawings presented in this manual are typical examples and may not match the product you received.
- This manual is subject to change due to product improvement, specification modification, and manual improvement. When this manual is revised, the manual code is updated and the new manual is published as a next edition.
- If the manual must be ordered due to loss or damage, inform your nearest Yaskawa representative or one of the offices listed on the back of this manual.
- Yaskawa will not take responsibility for the results of unauthorized modifications of this product. Yaskawa shall not be liable for any damages or troubles resulting from unauthorized modification.

# CONTENTS

About this Manual	-iii
Related Manuals	-v
Safety Information	-vi
Notes for Safe Operation	-vii

## 1 Outline

1.1 Checking Products	1-2
1.1.1 Check Items	1-2
1.1.2 Servomotors	1-2
1.1.3 SERVOPACKs	1-3
1.2 Product Part Names	1-4
1.2.1 Servomotors	1-4
1.2.2 SERVOPACKs	1-6
1.3 Examples of Servo System Configurations	1-8
1.3.1 Single-phase, 100 V and 200 V Main Circuit	1-8
1.3.2 Three-phase, 200 V Main Circuit	1-9
1.3.3 Connecting to SGMCS Servomotor	1-10
1.4 Applicable Standards	1-11
1.4.1 North American Safety Standards (UL, CSA)	1-11
1.4.2 CE Marking	1-11
1.5 $\Sigma$ -II Series SGDM SERVOPACK Upgraded Functions	1-12

## 2 Selections

2.1 Servomotor Model Designations	2-2
2.1.1 Model SGMAH (3000 min <sup>-1</sup> )	2-2
2.1.2 Model SGMPH (3000 min <sup>-1</sup> )	2-4
2.1.3 Model SGMGH (1500 min <sup>-1</sup> )	2-6
2.1.4 Model SGMGH (1000 min <sup>-1</sup> )	2-8
2.1.5 Model SGMSH (3000 min <sup>-1</sup> )	2-10
2.1.6 Model SGMDH (2000 min <sup>-1</sup> )	2-12
2.1.7 Model SGMCS	2-13
2.2 SERVOPACK Model Designations	2-14
2.3 $\Sigma$ -II Series SERVOPACKs and Applicable Servomotors	2-15
2.3.1 SGDM SERVOPACKs and SGM□H Servomotors	2-15
2.3.2 SGDM SERVOPACKs and SGMCS Servomotors	2-16
2.4 Selecting Cables	2-17
2.4.1 Cables for SGMAH and SGMPH Servomotors	2-17
2.4.2 Cables for SGMGH/SGMSH/SGMDH Servomotors	2-20
2.4.3 Cables for SGMCS Servomotors	2-22
2.5 Selecting Peripheral Devices	2-23

2.5.1 Special Options	2-26
2.5.2 Molded-case Circuit Breaker and Fuse Capacity	2-28
2.5.3 Noise Filters, Magnetic Conductors, Surge Absorbers and DC Reactors	2-29
2.5.4 Regenerative Resistors and Brake Power Supply Units	2-30

### 3 Servomotor Specifications and Dimensional Drawings

3.1 Ratings and Specifications of SGMAH (3000 min <sup>-1</sup> )	3-4
3.1.1 SGMAH Servomotors Without Gears	3-4
3.1.2 SGMAH Servomotors With Standard Backlash Gears	3-6
3.1.3 SGMAH Servomotors With Low-backlash Gears	3-8
3.2 Ratings and Specifications of SGMPH (3000 min <sup>-1</sup> )	3-10
3.2.1 SGMPH Servomotors Without Gears	3-10
3.2.2 SGMPH Servomotors With Standard Backlash Gears	3-13
3.2.3 SGMPH Servomotors With Low-backlash Gears	3-14
3.3 Ratings and Specifications of SGMGH (1500 min <sup>-1</sup> )	3-15
3.3.1 SGMGH Servomotors (1500 min <sup>-1</sup> ) Without Gears	3-15
3.3.2 SGMGH Servomotors (1500 min <sup>-1</sup> ) With Standard Backlash Gears	3-18
3.3.3 SGMGH Servomotors (1500 min <sup>-1</sup> ) With Low-backlash Gears	3-20
3.4 Ratings and Specifications of SGMGH (1000 min <sup>-1</sup> )	3-22
3.4.1 SGMGH Servomotors (1000 min <sup>-1</sup> ) Without Gears	3-22
3.4.2 SGMGH servomotors (1000 min <sup>-1</sup> ) With Standard Backlash Gears	3-24
3.4.3 SGMGH Servomotors (1000 min <sup>-1</sup> ) With Low-backlash Gears	3-26
3.5 Ratings and Specifications of SGMSH (3000 min <sup>-1</sup> )	3-27
3.5.1 SGMSH Servomotors (3000 min <sup>-1</sup> ) Without Gears	3-27
3.5.2 SGMSH Servomotors (3000 min <sup>-1</sup> ) With Low-backlash Gears	3-29
3.6 Ratings and Specifications of SGMDH (2000 min <sup>-1</sup> )	3-31
3.6.1 SGMDH Servomotors (2000 min <sup>-1</sup> ) With Holding Brakes	3-31
3.7 Ratings and Specifications of SGMCS Servomotors	3-33
3.7.1 Small-capacity Series SGMCS Servomotors	3-33
3.7.2 Middle-capacity Series SGMCS Servomotors	3-36
3.8 Mechanical Specifications of SGMAH, SGMPH, SGMGH, SGMSH, and SGMDH Servomotors	3-38
3.8.1 Precautions on Servomotor Installation	3-38
3.8.2 Mechanical Tolerance	3-39
3.8.3 Direction of Servomotor Rotation	3-39
3.8.4 Impact Resistance	3-40
3.8.5 Vibration Resistance	3-40
3.8.6 Vibration Class	3-40
3.9 Mechanical Specifications of SGMCS Servomotors	3-41
3.9.1 Allowable Loads	3-41
3.9.2 Mechanical Tolerance	3-41
3.9.3 Direction of Servomotor Rotation	3-41

3.9.4 Impact Resistance	3-43
3.9.5 Vibration Resistance	3-43
3.9.6 Vibration Class	3-43
3.9.7 Enclosure	3-43
3.9.8 Heating Conditions	3-43
3.10 Terms and Data for Servomotors With Gears	3-44
3.11 Servomotor Dimensional Drawings	3-46
3.12 Dimensional Drawings of SGMAH Servomotors (3000 min <sup>-1</sup> )	3-47
3.12.1 SGMAH Servomotors (3000 min <sup>-1</sup> ) Without Gears	3-47
3.12.2 SGMAH Servomotors (3000 min <sup>-1</sup> ) Without Gears and With Brakes	3-50
3.12.3 SGMAH Servomotors (3000 min <sup>-1</sup> ) With Standard Backlash Gears	3-53
3.12.4 SGMAH Servomotors (3000 min <sup>-1</sup> ) With Standard Backlash Gears and Brakes	3-57
3.12.5 SGMAH Servomotors (3000 min <sup>-1</sup> ) With Low-backlash Gears	3-62
3.13 Dimensional Drawings of SGMPH Servomotors (3000 min <sup>-1</sup> )	3-66
3.13.1 SGMPH Servomotors (3000 min <sup>-1</sup> ) Without Gears and Brakes	3-66
3.13.2 SGMPH Servomotors (3000 min <sup>-1</sup> ) With Brakes	3-68
3.13.3 SGMPH Servomotors (3000 min <sup>-1</sup> ) With Standard Backlash Gears and Without Brakes	3-70
3.13.4 SGMPH Servomotors (3000 min <sup>-1</sup> ) With Standard Backlash Gears and Brakes	3-73
3.13.5 SGMPH Servomotors (3000 min <sup>-1</sup> ) With Low-backlash Gears	3-76
3.14 Dimensional Drawing of Output Shafts With Oil Seals for SGMAH and SGMPH Servomotors	3-79
3.14.1 SGMAH Servomotors	3-79
3.14.2 SGMPH Servomotors	3-79
3.15 Dimensional Drawings of SGMGH Servomotors (1500 min <sup>-1</sup> )	3-80
3.15.1 SGMGH Servomotors (1500 min <sup>-1</sup> ) Without Gears and Brakes	3-80
3.15.2 SGMGH Servomotors (1500 min <sup>-1</sup> ) 200-V Specifications Without Gears and With Brakes	3-82
3.15.3 SGMGH Servomotors (1500 min <sup>-1</sup> ) With Standard Backlash Gears and Without Brakes (Foot-mounted Type)	3-84
3.15.4 SGMGH Servomotors (1500 min <sup>-1</sup> ) With Standard Backlash Gears and Without Brakes (Flange-mounted Type)	3-89
3.15.5 SGMGH Servomotors (1500 min <sup>-1</sup> ) With Low-backlash Gears and Without Brakes (Flange-mounted Type)	3-95
3.16 Dimensional Drawings of SGMGH Servomotors (1000 min <sup>-1</sup> )	3-98
3.16.1 SGMGH Servomotors (1000 min <sup>-1</sup> ) Without Gears and Brakes	3-98
3.16.2 SGMGH Servomotors (1000 min <sup>-1</sup> ) Without Gears and With Brakes	3-100
3.16.3 SGMGH Servomotors (1000 min <sup>-1</sup> ) With Standard Backlash Gears and Without Brakes (Foot-mounted Type)	3-103
3.16.4 SGMGH Servomotors (1000 min <sup>-1</sup> ) With Standard Backlash Gears and Without Brakes (Flange-mounted Type)	3-108
3.16.5 SGMGH Servomotors (1000 min <sup>-1</sup> ) With Low-backlash Gears and Without Brakes (Flange-mounted Type)	3-108

3.17	Dimensional Drawings of SGMSH Servomotors (3000 min <sup>-1</sup> )	3-116
3.17.1	SGMSH Servomotors (3000 min <sup>-1</sup> ) Without Gears and Without Brakes	3-116
3.17.2	SGMSH Servomotors (3000 min <sup>-1</sup> ) 200-V Specifications Without Gears and With Brakes	3-118
3.17.3	SGMSH Servomotors (3000 min <sup>-1</sup> ) With Low-backlash Gears and Without Brakes (Flange-mounted Type)	3-120
3.18	Dimensional Drawings of SGMDH Servomotors (2000 min <sup>-1</sup> )	3-124
3.18.1	SGMDH Servomotors (2000 min <sup>-1</sup> ) Without Gears and With/Without Brakes	3-124
3.19	Dimensional Drawings of SGMCS Servomotors	3-126
3.19.1	SGMCS Servomotors $\phi$ 135 Model	3-126
3.19.2	SGMCS Servomotors $\phi$ 175 Model	3-127
3.19.3	SGMCS Servomotors $\phi$ 230 Model	3-128
3.19.4	SGMCS Servomotors $\phi$ 290 Model	3-129
3.19.5	SGMCS Servomotors $\phi$ 280 Model	3-130
3.19.6	SGMCS Servomotors $\phi$ 360 Model	3-131
3.20	Shaft End Specifications for SGMGH, SGMSH and SGMDH Servomotors	3-135
3.20.1	SGMGH Servomotors	3-136
3.20.2	SGMSH Servomotors	3-137
3.20.3	SGMDH Servomotors	3-138

#### 4 SERVOPACK Specifications and Dimensional Drawings

4.1	SERVOPACK Ratings and Specifications	4-3
4.1.1	Single-phase 100 V	4-3
4.1.2	Single-phase/Three-phase 200 V	4-3
4.1.3	SERVOPACK Ratings and Specifications	4-4
4.2	SERVOPACK Installation	4-6
4.3	SERVOPACK Internal Block Diagrams	4-8
4.3.1	Single-phase 200 V, 30 W to 400 W, and 100 V, 30 W to 200 W Models	4-8
4.3.2	Three-phase 200 V, 500 W to 1.5 kW Models	4-8
4.3.3	Three-phase 200 V, 2.0 kW to 5.0 kW Models	4-9
4.3.4	Three-phase 200 V, 6.0 kW to 15 kW Models	4-9
4.4	SERVOPACK's Power Supply Capacities and Power Losses	4-10
4.5	SERVOPACK Overload Characteristics and Allowable Load Moment of Inertia	4-11
4.5.1	Overload Characteristics	4-11
4.5.2	Starting and Stopping Time	4-12
4.5.3	Load Moment of Inertia	4-12
4.6	SERVOPACK Dimensional Drawings	4-15
4.7	Dimensional Drawings of Base-mounted SERVOPACK Model	4-16
4.7.1	Single-phase 100 V: 30 W to 100 W (A3BD to 01BD, A3BDA to 01BDA) Single-phase 200 V: 30 W to 200 W (A3AD to 02AD, A3ADA to 02ADA)	4-16
4.7.2	Single-phase 100 V: 200 W (02BD, 02BDA) Single-phase 200 V: 400 W (04AD, 04ADA)	4-17
4.7.3	Three-phase 200 V: 500 W/750 W/1.0 kW (05AD to 10AD, 05ADA to 10ADA)	4-18
4.7.4	Three-phase 200 V: 1.5 kW (15AD, 15ADA)	4-18



4.7.5	Three-phase 200 V: 2.0 kW/3.0 kW (20AD to 30AD, 20ADA to 30ADA)	4-20
4.7.6	Three-phase 200 V: 5.0 kW (50ADA)	4-21
4.7.7	Three-phase 200 V: 6.0 kW/7.5 kW (60ADA to 75ADA)	4-22
4.7.8	Three-phase 200 V: 11.0 kW/15.0 kW (1AADA to 1EADA)	4-23
4.8	Dimensional Drawings of Rack-mounted SERVOPACK Model	4-24
4.8.1	Single-phase 100 V: 30 W/50 W/100 W (A3BD-R to 01BD-R, A3BDA-R to 01BDA-R)	
	Single-phase 200 V: 30 W/50 W/100 W/200 W (A3AD-R to 02AD-R, A3ADA-R to 02ADA-R)	4-24
4.8.2	Single-phase 100 V: 200 W (02BD-R, 02BDA-R)	
	Single-phase 200 V: 400 W (04AD-R, 04ADA-R)	4-25
4.8.3	Three-phase 200 V: 500 W/750 W/1.0 kW (05AD-R to 10AD-R, 05ADA-R to 10ADA-R)	4-26
4.8.4	Three-phase 200 V: 1.5 kW (15AD-R, 15ADA-R)	4-27
4.8.5	Three-phase 200 V: 2.0 kW/3.0 kW (20AD-R to 30AD-R, 20ADA-R to 30ADA-R)	4-28
4.8.6	Three-phase 200 V: 5.0 kW (50ADA-R)	4-29
4.9	Dimensional Drawings of Duct-ventilated SERVOPACK Model	4-30
4.9.1	Three-phase 200 V: 6.0 kW/7.5 kW (60ADA-P to 75ADA-P)	4-30
4.9.2	Three-phase 200 V: 11.0 kW/15.0 kW (1AADA-P/1EADA-P)	4-31

## 5 Specifications and Dimensional Drawings of Cables and Peripheral Devices

5.1	Specifications and Dimensional Drawings of Servomotor Main Circuit Cable	5-3
5.1.1	Cables for SGMAH and SGMPH Servomotors Without Brakes	5-3
5.1.2	Cables for SGMAH and SGMPH Servomotors With Brakes	5-3
5.1.3	Flexible Cables for SGMAH and SGMPH Servomotors Without Brakes	5-4
5.1.4	Flexible Cables for SGMAH and SGMPH Servomotors With Brakes	5-4
5.1.5	Cables for SGMAH and SGMPH Servomotors With Waterproof Connector	5-5
5.1.6	Cables for SGMCS-□□B, C, D, and E Servomotors	5-6
5.2	Servomotor Main Circuit Wire Size and Connectors	5-7
5.2.1	Wire Size	5-7
5.2.2	SGMAH and SGMPH Servomotor Connectors for Standard Environments	5-9
5.2.3	SGMGH, SGMSH, and SGMDH Servomotor Connector Configurations	5-12
5.2.4	SGMGH Servomotor (1500 min <sup>-1</sup> ) Connectors for Standard Environments	5-13
5.2.5	SGMGH Servomotor (1000 min <sup>-1</sup> ) Connectors for Standard Environments	5-15
5.2.6	SGMSH Servomotor (3000 min <sup>-1</sup> ) Connectors for Standard Environments	5-17
5.2.7	SGMDH Servomotor (2000 min <sup>-1</sup> ) Connectors for Standard Environments	5-19
5.2.8	SGMGH Servomotor (1500 min <sup>-1</sup> ) Connectors Conforming to IP67 and European Safety Standards	5-20
5.2.9	SGMGH Servomotor (1000 min <sup>-1</sup> ) Connectors Conforming to IP67 and European Safety Standards	5-23
5.2.10	SGMSH Servomotors (3000 min <sup>-1</sup> ) Connectors Conforming to IP67 and European Safety Standards	5-26
5.2.11	SGMDH Servomotors (2000 min <sup>-1</sup> ) Connectors Conforming to IP67 and European Safety Standards	

5.2.12	Connectors for SGMCS Servomotors	5-29
5.2.13	Connector Dimensional Drawings	5-31
5.3	SERVOPACK Main Circuit Wire Size	5-37
5.3.1	Cable Types	5-37
5.3.2	Single-phase 100 V	5-37
5.3.3	Single-phase 200 V	5-38
5.3.4	Three-phase 200 V	5-38
5.4	Encoder Cables for CN2 Connector	5-39
5.4.1	Encoder Cable With Connectors on Both Ends for SGMAH and SGMPH Servomotors	5-39
5.4.2	Encoder Cable With Connectors on Both Ends for SGMGH, SGMSH, and SGMDH Servomotors	5-39
5.4.3	Cable with Loose Wire at Encoder End for SGMAH and SGMPH Servomotors	5-40
5.4.4	Cable with Loose Wire at Encoder End for SGMGH, SGMSH, and SGMDH Servomotors	5-41
5.4.5	Encoder Flexible Cables for SGMAH and SGMPH Servomotors	5-43
5.4.6	Encoder Flexible Cables for SGMGH, SGMSH, and SGMDH Servomotors	5-45
5.4.7	Encoder Cable With a Waterproof Connector for SGMAH and SGMPH Servomotors	5-47
5.4.8	Encoder Cables for SGMCS Servomotors	5-48
5.5	Connectors and Cables for Encoder Signals	5-50
5.5.1	Connectors and Cables for SGMAH and SGMPH Servomotors	5-50
5.5.2	Connectors and Cables for SGMGH, SGMSH, and SGMDH Servomotors	5-52
5.5.3	Connectors and Cables for SGMCS Servomotors	5-54
5.6	Flexible Cables	5-55
5.7	I/O Signal Cables for CN1 Connector	5-56
5.7.1	Standard Cables	5-56
5.7.2	Connector Type and Cable Size	5-56
5.7.3	Connection Diagram	5-58
5.8	Peripheral Devices	5-59
5.8.1	Cables for Connecting Personal Computers	5-59
5.8.2	Digital Operator	5-60
5.8.3	Cables for Analog Monitor	5-61
5.8.4	Connector Terminal Block Converter Unit	5-62
5.8.5	Brake Power Supply Unit	5-63
5.8.6	External Regenerative Resistor	5-65
5.8.7	Regenerative Resistor Unit	5-68
5.8.8	Absolute Encoder Battery	5-69
5.8.9	Molded-case Circuit Breaker (MCCB)	5-70
5.8.10	Noise Filter	5-71
5.8.11	Magnetic Contactor	5-75
5.8.12	Surge Absorber (for switching surge)	5-77
5.8.13	Surge Absorber (for lightning surge)	5-79
5.8.14	DC Reactor for Harmonic Suppression	5-80
5.8.15	Variable Resistor for Speed and Torque Setting	5-81
5.8.16	Encoder Signal Converter Unit	5-81

## 6 Wiring

6.1	Wiring Main Circuit	6-2
6.1.1	Names and Functions of Main Circuit Terminals	6-2
6.1.2	Wiring Main Circuit Power Supply Connector (Spring Type)	6-4
6.1.3	Typical Main Circuit Wiring Examples	6-5
6.2	Wiring Encoders	6-7
6.2.1	Connecting an Encoder (CN2) and Output Signals from the SERVOPACK (CN1)	6-7
6.2.2	Encoder Connector (CN2) Terminal Layout	6-8
6.3	Examples of I/O Signal Connections	6-9
6.3.1	Speed Control Mode	6-9
6.3.2	Position Control Mode	6-10
6.3.3	Torque Control Mode	6-11
6.3.4	I/O Signal Connector (CN1) Terminal Layout	6-12
6.3.5	I/O Signal (CN1) Names and Functions	6-13
6.3.6	Interface Circuit	6-15
6.4	Others	6-18
6.4.1	Wiring Precautions	6-18
6.4.2	Wiring for Noise Control	6-19
6.4.3	Installation Conditions of EMC Directives	6-22
6.4.4	Installation Conditions of UL Standards	6-24
6.4.5	Using More Than One SERVOPACK	6-25
6.4.6	Extending Encoder Cables	6-26
6.4.7	Operating Conditions on 400-V Power Supply Voltage	6-28
6.4.8	DC Reactor for Harmonic Suppression	6-29
6.5	Connecting Regenerative Resistors	6-30
6.5.1	Regenerative Power and Regenerative Resistance	6-30
6.5.2	Connecting External Regenerative Resistors	6-30

## 7 Digital Operator/Panel Operator

7.1	Functions on Digital Operator/Panel Operator	7-2
7.1.1	Connecting the Digital Operator	7-2
7.1.2	Key Names and Functions	7-3
7.1.3	Basic Mode Selection and Operation	7-4
7.1.4	Status Display	7-5
7.2	Operation in Utility Function Mode (Fn□□□)	7-7
7.2.1	List of Utility Function Modes	7-7
7.2.2	Alarm Traceback Data Display (Fn000)	7-8
7.2.3	Zero-point Search Mode (Fn003)	7-9
7.2.4	Parameter Settings Initialization (Fn005)	7-10
7.2.5	Alarm Traceback Data Clear (Fn006)	7-11
7.2.6	Manual Zero-adjustment of Analog Monitor Output (Fn00C)	7-12
7.2.7	Manual Gain-adjustment of Analog Monitor Output (Fn00D)	7-13
7.2.8	Automatic Offset-adjustment of Motor Current Detection Signal (Fn00E)	7-14
7.2.9	Manual Offset-adjustment of Motor Current Detection Signal (Fn00F)	7-14
7.2.10	Password Setting (Protects Parameters from Being Changed)	7-15

7.2.11 Motor Models Display (Fn011) - - - - -	7-17
7.2.12 Software Version Display (Fn012) - - - - -	7-18
7.3 Operation in Parameter Setting Mode (Pn□□□)- - - - -	7-19
7.3.1 Setting Parameters - - - - -	7-19
7.3.2 Input Circuit Signal Allocation - - - - -	7-23
7.3.3 Output Circuit Signal Allocation - - - - -	7-26
7.4 Operation in Monitor Mode (Un□□□) - - - - -	7-28
7.4.1 List of Monitor Modes - - - - -	7-28

## 8 Operation

8.1 Trial Operation - - - - -	8-4
8.1.1 Trial Operation for Servomotor without Load - - - - -	8-6
8.1.2 Trial Operation for Servomotor without Load from Host Reference - - - - -	8-9
8.1.3 Trial Operation with the Servomotor Connected to the Machine - - - - -	8-15
8.1.4 Servomotor with Brakes - - - - -	8-16
8.1.5 Position Control by Host Controller - - - - -	8-16
8.2 Control Mode Selection - - - - -	8-17
8.3 Setting Common Basic Functions - - - - -	8-18
8.3.1 Setting the Servo ON Signal - - - - -	8-18
8.3.2 Switching the Servomotor Rotation Direction - - - - -	8-19
8.3.3 Setting the Overtravel Limit Function - - - - -	8-20
8.3.4 Setting for Holding Brakes - - - - -	8-22
8.3.5 Selecting the Stopping Method After Servo OFF - - - - -	8-27
8.3.6 Instantaneous Power Loss Settings - - - - -	8-28
8.4 Absolute Encoders - - - - -	8-29
8.4.1 Interface Circuits - - - - -	8-30
8.4.2 Selecting an Absolute Encoder - - - - -	8-31
8.4.3 Handling Batteries - - - - -	8-31
8.4.4 Replacing Batteries - - - - -	8-32
8.4.5 Absolute Encoder Setup (Fn008) - - - - -	8-32
8.4.6 Absolute Encoder Reception Sequence - - - - -	8-34
8.4.7 Multiturn Limit Setting - - - - -	8-37
8.4.8 Multiturn Limit Setting When Multiturn Limit Disagreement (A.CC) Occurred - - - - -	8-38
8.5 Operating Using Speed Control with Analog Reference - - - - -	8-39
8.5.1 Setting Parameters - - - - -	8-39
8.5.2 Setting Input Signals - - - - -	8-40
8.5.3 Adjusting Offset - - - - -	8-41
8.5.4 Soft Start - - - - -	8-44
8.5.5 Speed Reference Filter - - - - -	8-44
8.5.6 Using the Zero Clamp Function - - - - -	8-44
8.5.7 Encoder Signal Output - - - - -	8-46
8.5.8 Speed Coincidence Output - - - - -	8-48
8.6 Operating Using Position Control - - - - -	8-49
8.6.1 Setting Parameters - - - - -	8-49
8.6.2 Setting the Electronic Gear - - - - -	8-50

8.6.3	Position Reference	8-54
8.6.4	Smoothing	8-57
8.6.5	Positioning Completed Output Signal	8-58
8.6.6	Positioning Near Signal	8-59
8.6.7	Reference Pulse Inhibit Function (INHIBIT)	8-60
8.7	Operating Using Torque Control	8-61
8.7.1	Setting Parameters	8-61
8.7.2	Torque Reference Input	8-61
8.7.3	Adjusting the Reference Offset	8-62
8.7.4	Limiting Servomotor Speed during Torque Control	8-64
8.8	Operating Using Speed Control with an Internally Set Speed	8-66
8.8.1	Setting Parameters	8-66
8.8.2	Input Signal Settings	8-66
8.8.3	Operating Using an Internally Set Speed	8-67
8.9	Limiting Torque	8-69
8.9.1	Internal Torque Limit (Limiting Maximum Output Torque)	8-69
8.9.2	External Torque Limit (Output Torque Limiting by Input Signals)	8-70
8.9.3	Torque Limiting Using an Analog Voltage Reference	8-71
8.9.4	Torque Limiting Using an External Torque Limit and Analog Voltage Reference	8-72
8.9.5	Checking Output Torque Limiting during Operation	8-73
8.10	Control Mode Selection	8-74
8.10.1	Setting Parameters	8-74
8.10.2	Switching the Control Mode	8-74
8.11	Other Output Signals	8-75
8.11.1	Servo Alarm Output (ALM) and Alarm Code Output (ALO1, ALO2, ALO3)	8-75
8.11.2	Warning Output (/WARN)	8-76
8.11.3	Running Output Signal (/TGON)	8-76
8.11.4	Servo Ready (/S-RDY) Output	8-77

## 9 Adjustments

9.1	Autotuning	9-2
9.1.1	Servo Gain Adjustment Methods	9-2
9.1.2	List of Servo Adjustment Functions	9-3
9.2	Online Autotuning	9-5
9.2.1	Online Autotuning	9-5
9.2.2	Online Autotuning Procedure	9-6
9.2.3	Selecting the Online Autotuning Execution Method	9-7
9.2.4	Machine Rigidity Setting for Online Autotuning	9-7
9.2.5	Method for Changing the Machine Rigidity Setting	9-8
9.2.6	Saving the Results of Online Autotuning	9-9
9.2.7	Procedure for Saving the Results of Online Autotuning	9-9
9.3	Manual Tuning	9-10
9.3.1	Explanation of Servo Gain	9-10
9.3.2	Servo Gain Manual Tuning	
9.3.3	Position Loop Gain	

9.3.4	Speed Loop Gain	9-12
9.3.5	Speed Loop Integral Time Constant	9-12
9.4	Servo Gain Adjustment Functions	9-13
9.4.1	Feed-forward Reference	9-13
9.4.2	Torque Feed-forward	9-13
9.4.3	Speed Feed-forward	9-14
9.4.4	Proportional Control Operation (Proportional Operation Reference)	9-15
9.4.5	Using the Mode Switch (P/PI Switching)	9-16
9.4.6	Setting the Speed Bias	9-19
9.4.7	Speed Feedback Filter	9-19
9.4.8	Speed Feedback Compensation	9-19
9.4.9	Switching Gain Settings	9-21
9.4.10	Torque Reference Filter	9-22
9.5	Analog Monitor	9-24
10	Upgraded Versions	
10.1	Upgraded Versions for SGDM SERVOPACK	10-2
10.2	Upgraded Functions	10-3
10.2.1	Additional Functions	10-3
10.2.2	Improved Functions	10-3
10.3	Additional Functions	10-4
10.3.1	SGMCS Direct-drive Motor Supporting Function	10-4
10.3.2	Improvement of Dividing Output Resolution	10-7
10.3.3	Reference Pulse Input Multiplication Switching Function	10-9
10.3.4	Second Stage Notch Filter and Changeable Q Value	10-11
10.3.5	Automatic Gain Switching Function	10-13
10.4	Improved Functions	10-15
10.4.1	Moment of Inertia Ratio Setting Range	10-15
10.4.2	Adaptation to Single-turn Data Absolute Encoder	10-15
10.4.3	Serial Number and Manufactured Data Reading Function	10-17
10.5	Additional and Improved Parameters	10-18
10.5.1	Parameters	10-18
10.5.2	Switches	10-19
10.5.3	Input Signal Selection	10-19
10.5.4	Output Signal Selection	10-20
10.5.5	Utility Functions	10-20
10.5.6	Troubleshooting	10-21
11	Inspection, Maintenance, and Troubleshooting	
11.1	Troubleshooting	11-2
11.1.1	Alarm Display Table	11-2
11.1.2	Warning Display	11-4
11.1.3	Troubleshooting of Alarm and Warning	11-5
11.1.4	Troubleshooting for Malfunction without Alarm Display	11-14

11.2 Inspection and Maintenance	11-18
11.2.1 Servomotor Inspection	11-18
11.2.2 SERVOPACK Inspection	11-18
11.2.3 SERVOPACK's Parts Replacement Schedule	11-19

## 12 Appendix

12.1 Servomotor Capacity Selection Examples	12-2
12.1.1 Selection Example for Speed Control	12-2
12.1.2 Selection Example for Position Control	12-4
12.1.3 Calculating the Required Capacity of Regenerative Resistors	12-7
12.2 Connection to Host Controller	12-15
12.2.1 Example of Connection to MP920 4-axes Analog Module SVA-01	12-15
12.2.2 Example of Connection to CP-9200SH Servo Controller Module SVA (SERVOPACK in Speed Control Mode)	12-16
12.2.3 Example of Connection to MEMOCON GL120/130 Series Motion Module MC20	12-17
12.2.4 Example of Connection to MEMOCON GL60/70 Series Positioning Module B2813 (SERVOPACK in Position Control Mode)	12-18
12.2.5 Example of Connection to OMRON's Motion Control Unit	12-19
12.2.6 Example of Connection to OMRON's Position Control Unit	12-20
12.2.7 Example of Connection to OMRON's Position Control Unit C500-NC221 (SERVOPACK in Speed Control Mode)	12-21
12.2.8 Example of Connection to OMRON's Position Control Unit C500-NC112 (SERVOPACK in Position Control Mode)	12-22
12.2.9 Example of Connection to MITSUBISHI's AD72 Positioning Unit (SERVOPACK in Speed Control Mode)	12-23
12.2.10 Example of Connection to MITSUBISHI's AD75 Positioning Unit (SERVOPACK in Position Control Mode)	12-24
12.3 List of Parameters	12-25
12.3.1 Utility Functions List	12-25
12.3.2 List of Parameters	12-26
12.3.3 Monitor Modes	12-43
12.4 Parameter Recording Table	12-44

## INDEX

## Revision History

---

## Outline

1.1 Checking Products	-----	1-2
1.1.1 Check Items	-----	1-2
1.1.2 Servomotors	-----	1-2
1.1.3 SERVOPACKs	-----	1-3
1.2 Product Part Names	-----	1-4
1.2.1 Servomotors	-----	1-4
1.2.2 SERVOPACKs	-----	1-6
1.3 Examples of Servo System Configurations	-----	1-8
1.3.1 Single-phase, 100 V and 200 V Main Circuit	-----	1-8
1.3.2 Three-phase, 200 V Main Circuit	-----	1-9
1.3.3 Connecting to SGMCS Servomotor	-----	1-10
1.4 Applicable Standards	-----	1-11
1.4.1 North American Safety Standards (UL, CSA)	-----	1-11
1.4.2 CE Marking	-----	1-11
1.5 $\Sigma$ -II Series SGDM SERVOPACK Upgraded Functions	-----	1-12



## 1.1 Checking Products

The following procedure is used to check the AC servo drives of  $\Sigma$ -II Series products on delivery.

### 1.1.1 Check Items

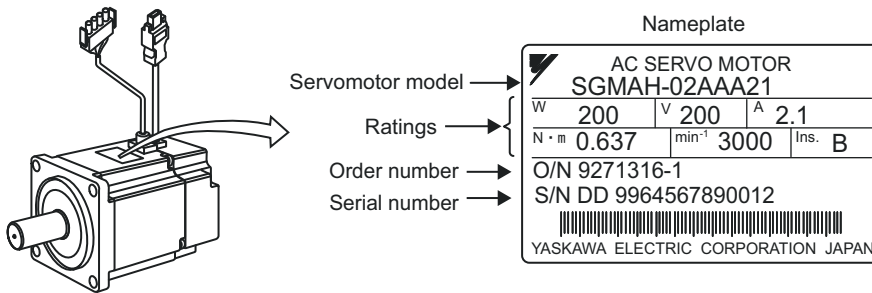
Check the following items when  $\Sigma$ -II Series products are delivered.

Check Items	Comments
Are the delivered products the ones that were ordered?	Check the model numbers marked on the nameplates on the servomotor and SERVOPACK. (Refer to the descriptions of model numbers in the following section.)
Does the servomotor shaft rotate smoothly?	The servomotor shaft is normal if it can be turned smoothly by hand. Servomotors with brakes, however, cannot be turned manually.
Is there any damage?	Check the overall appearance, and check for damage or scratches that may have occurred during shipping.

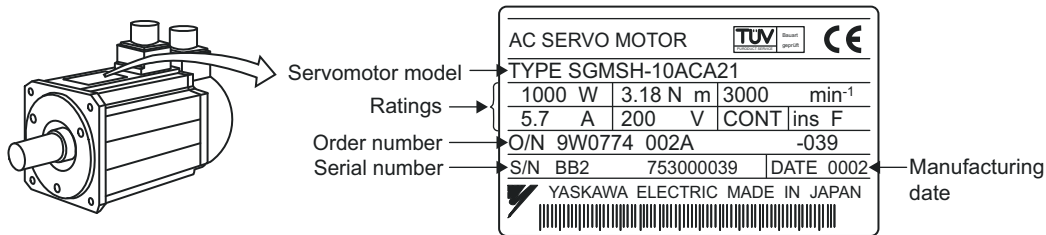
If any of the above items are faulty or incorrect, contact your Yaskawa representative or the dealer from whom you purchased the products.

### 1.1.2 Servomotors

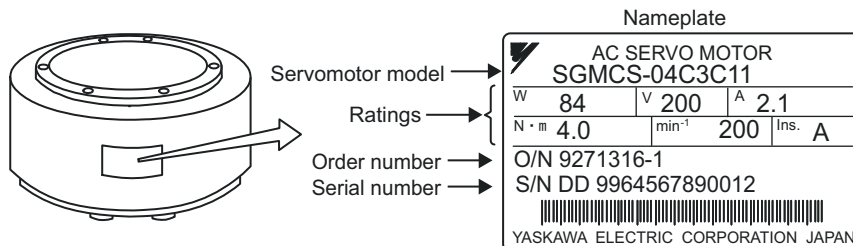
•SGMAH and SGMPH



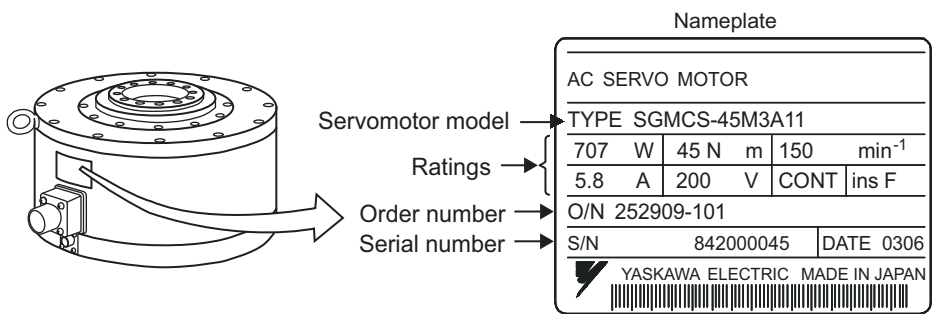
•SGMGH / SGMSh / SGMdH



•SGMCS (Small-capacity series)

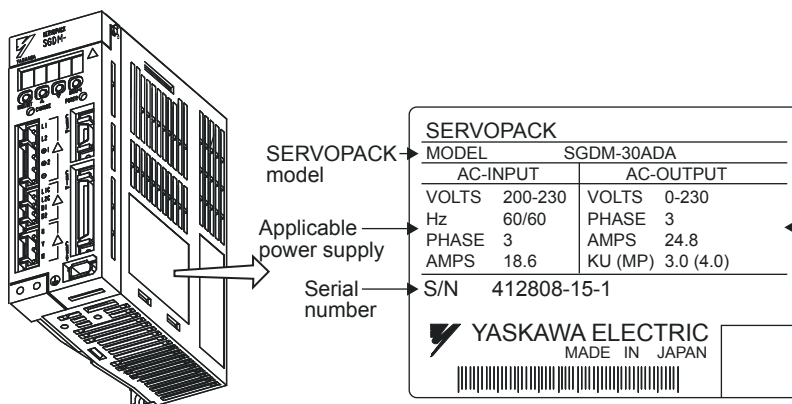


- SGMCS (Middle-capacity series)

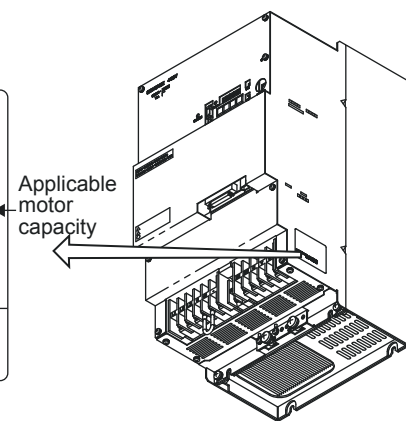


### 1.1.3 SERVOPACKs

- SGDM for 30 W to 5.0 kW



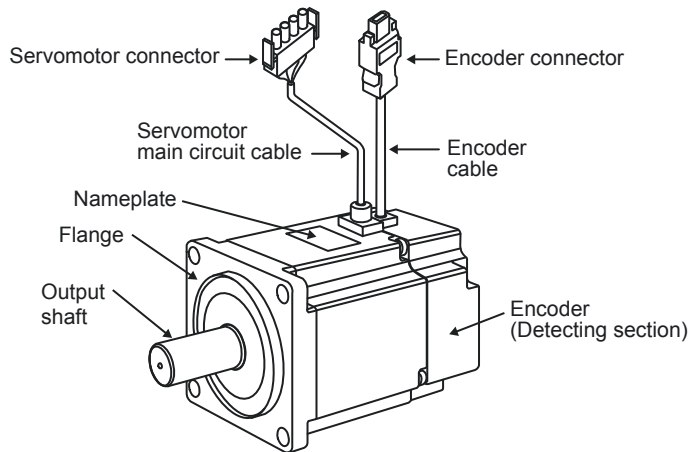
- SGDM for 6.0 kW to 15.0 kW



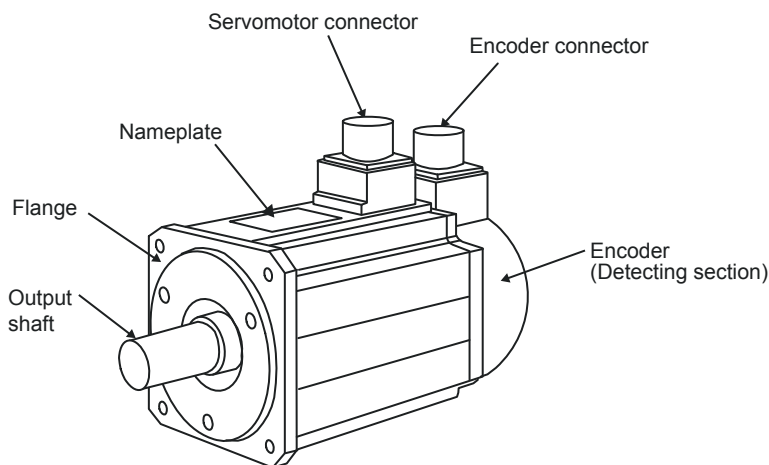
## 1.2 Product Part Names

### 1.2.1 Servomotors

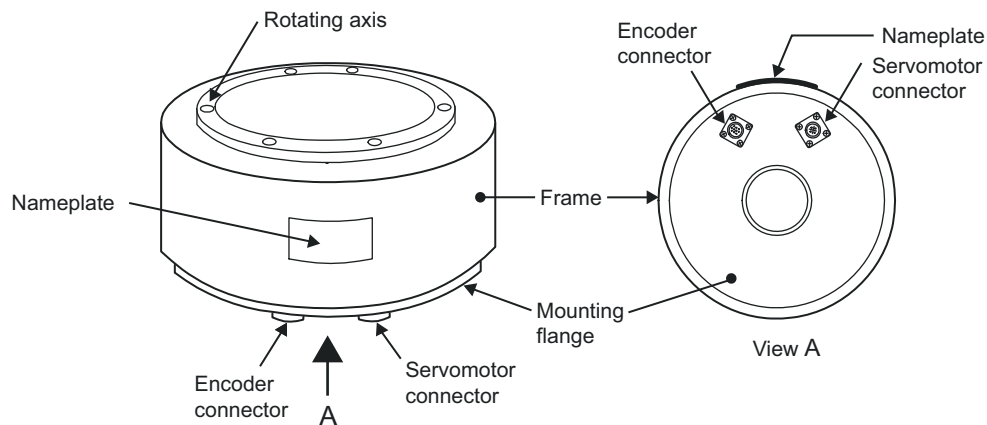
#### (1) SGMAH and SGMPH Without Gears and Brakes



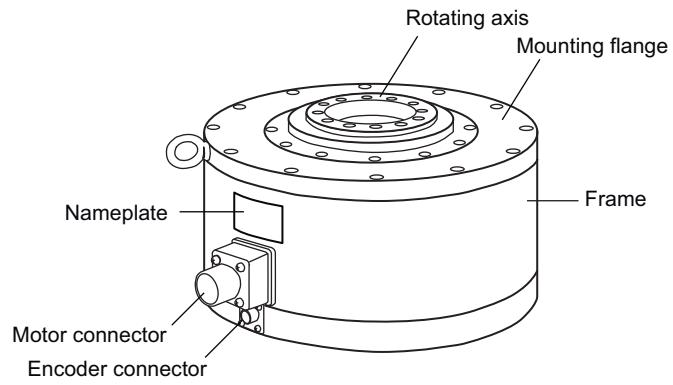
#### (2) SGMGH/SGMSH/SGMDH Without Gears and Brakes



#### (3) SGMCS Direct-drive Motor (Small-capacity series)

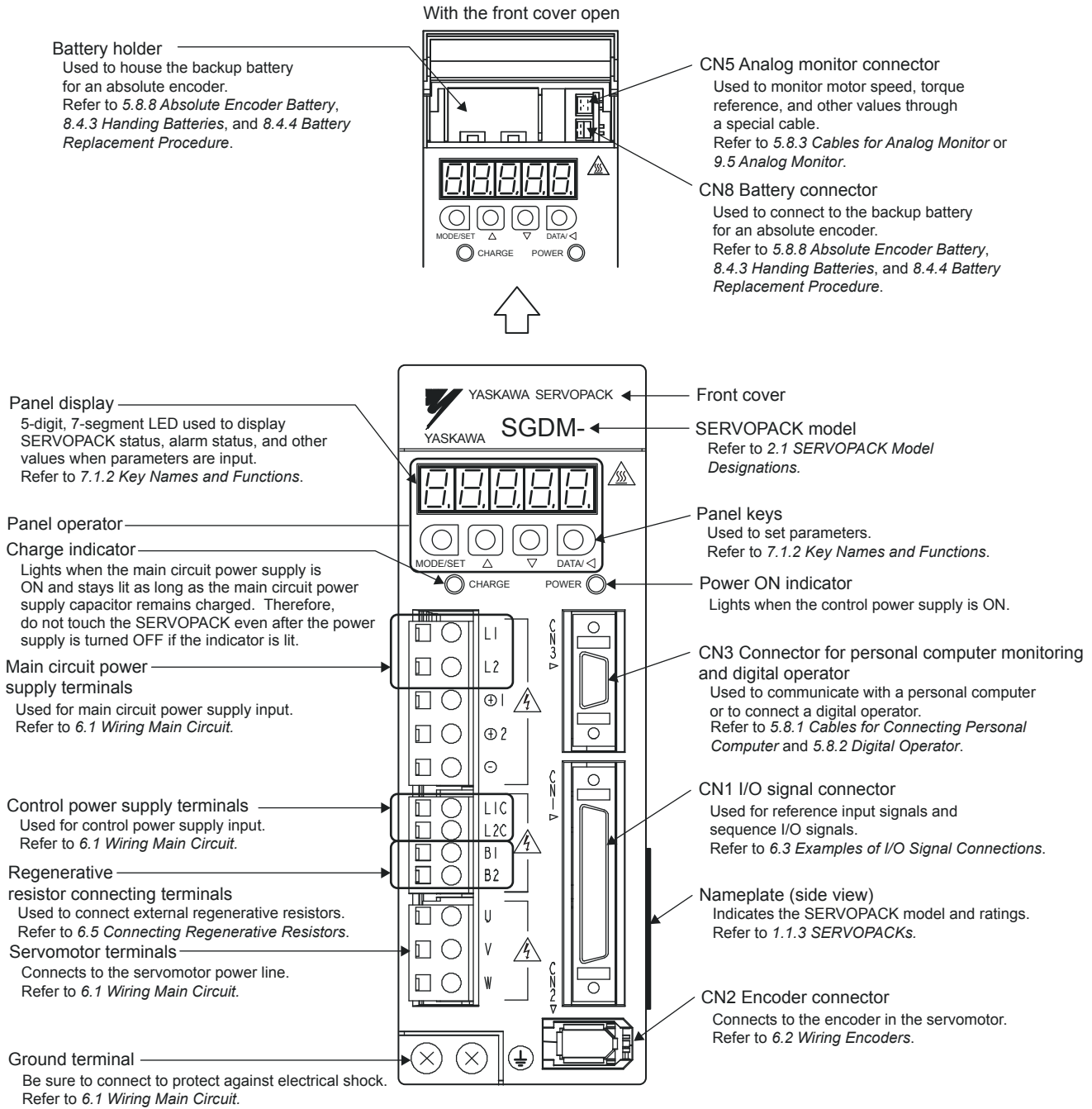


## (4) SGMCS Direct-drive (Middle-capacity series)



## 1.2.2 SERVOPACKs

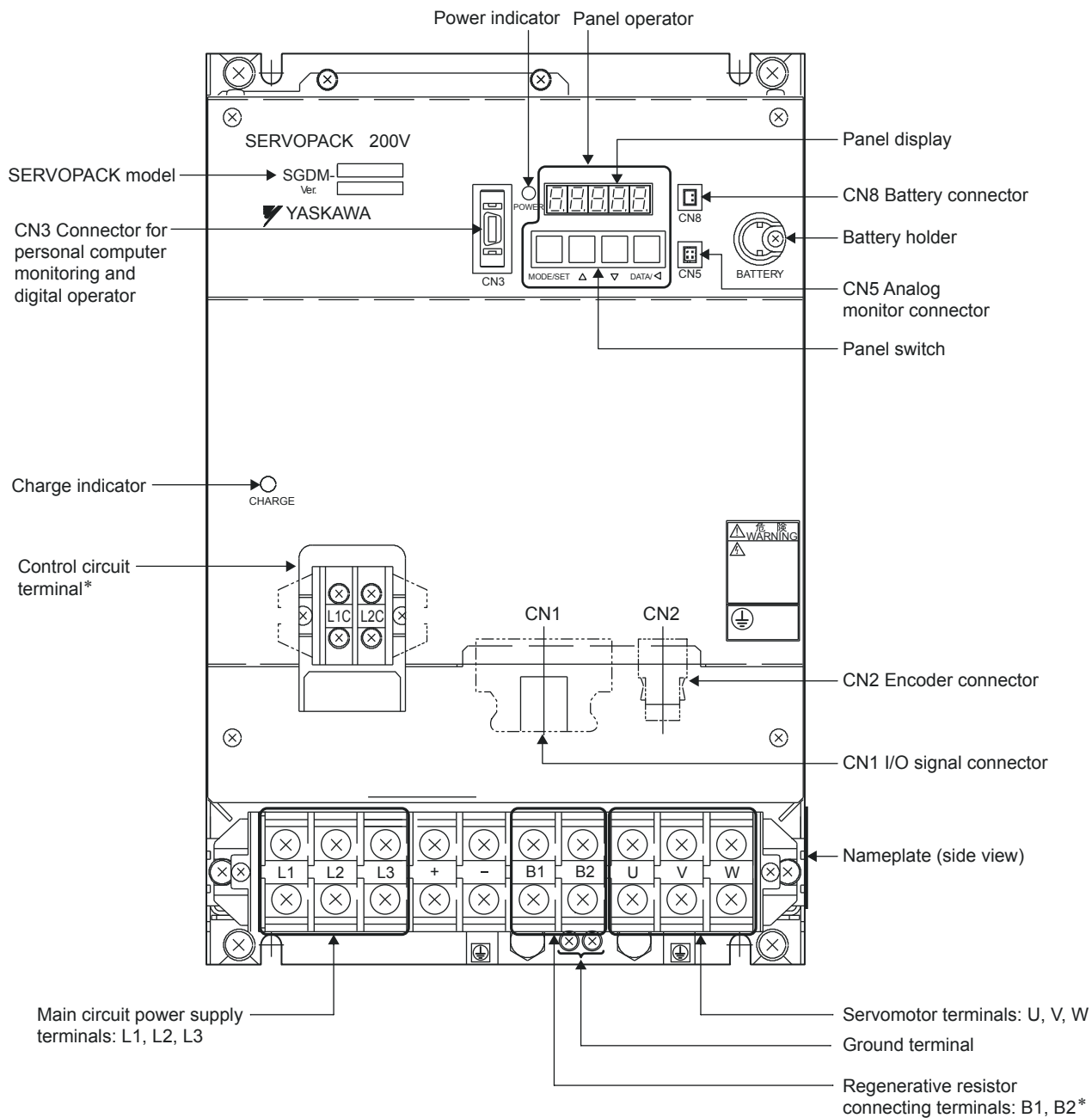
### (1) SGDM for 30 W to 5.0 kW



■ **Connecting terminal of DC Reactor**

For connecting a reactor, refer to 6.4.8 *DC Reactor for Harmonic Suppression*.

(2) SGDM for 6.0 kW to 15.0 kW



\* Control circuit terminal and regenerative resistor connecting terminals differ the position of the terminal block by the SERVOPACK model.

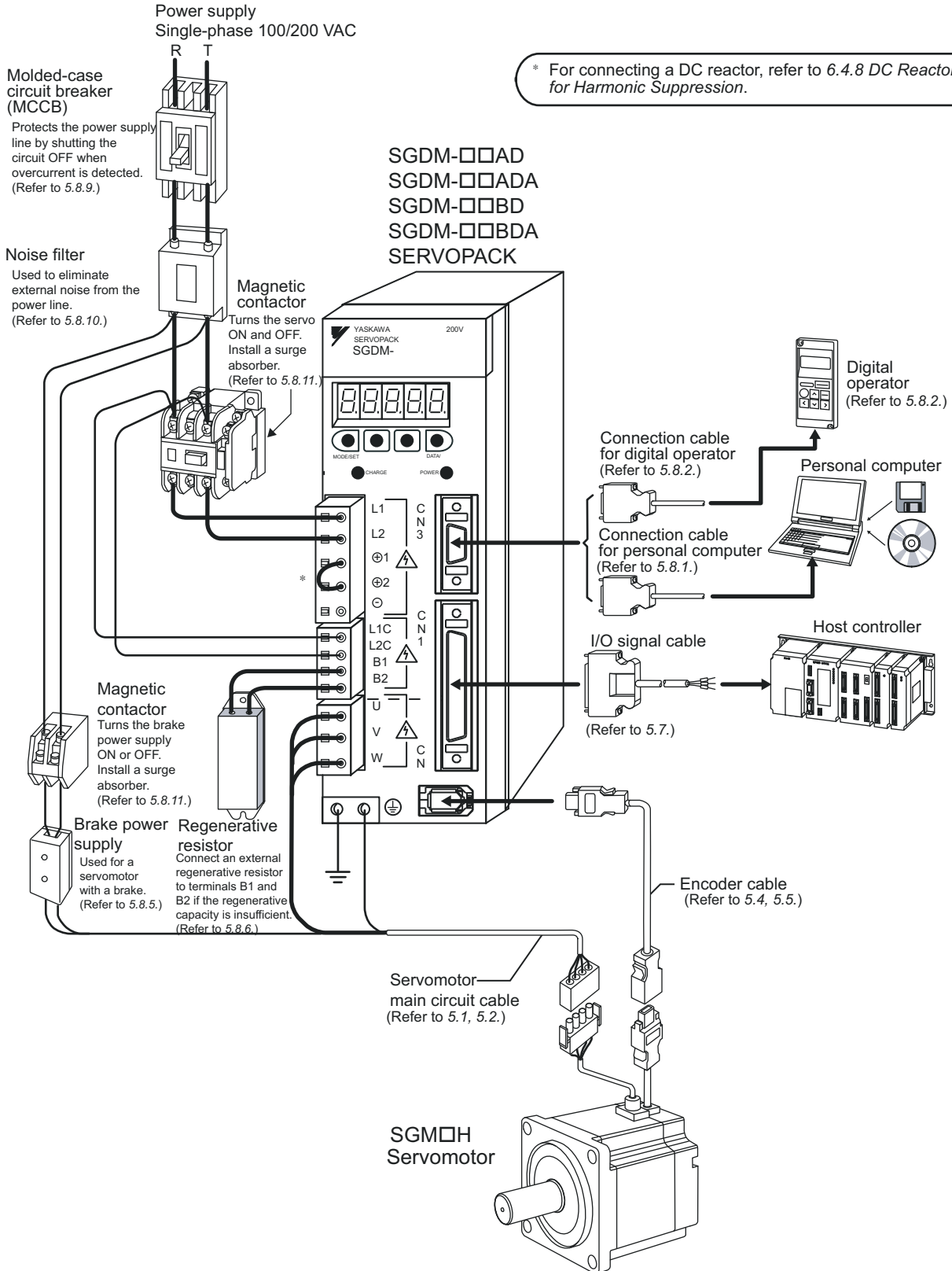
Refer to Chapter 4 SERVOPACK Specifications and Dimensional Drawings for details.

SERVOPACK Model	Reference
SGDM-60ADA, 75ADA	4.7.7, 4.9.1
SGDM-1AADA, 1EADA	4.7.8, 4.9.2

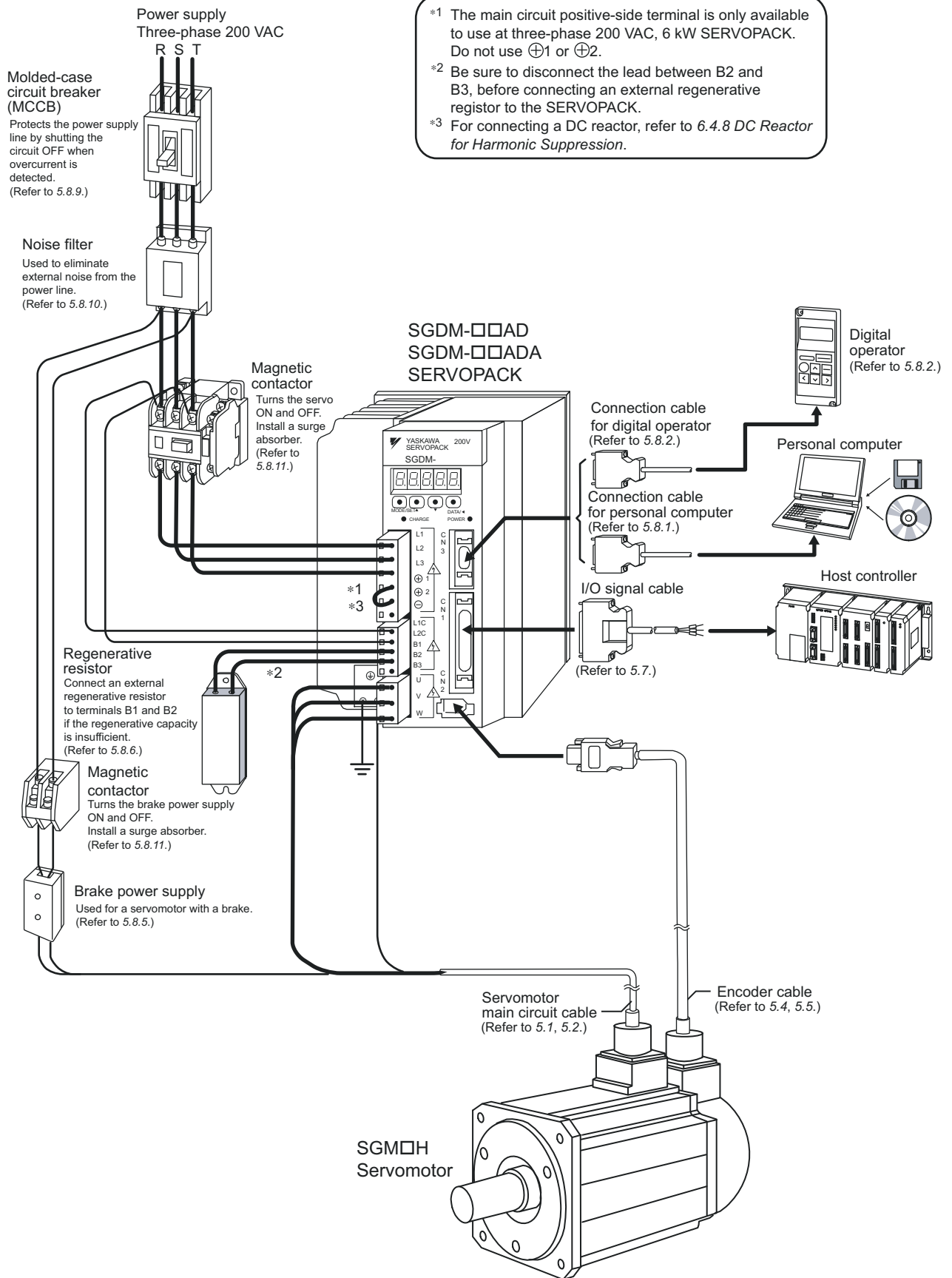
## 1.3 Examples of Servo System Configurations

This section describes examples of basic servo system configuration.

### 1.3.1 Single-phase, 100 V and 200 V Main Circuit

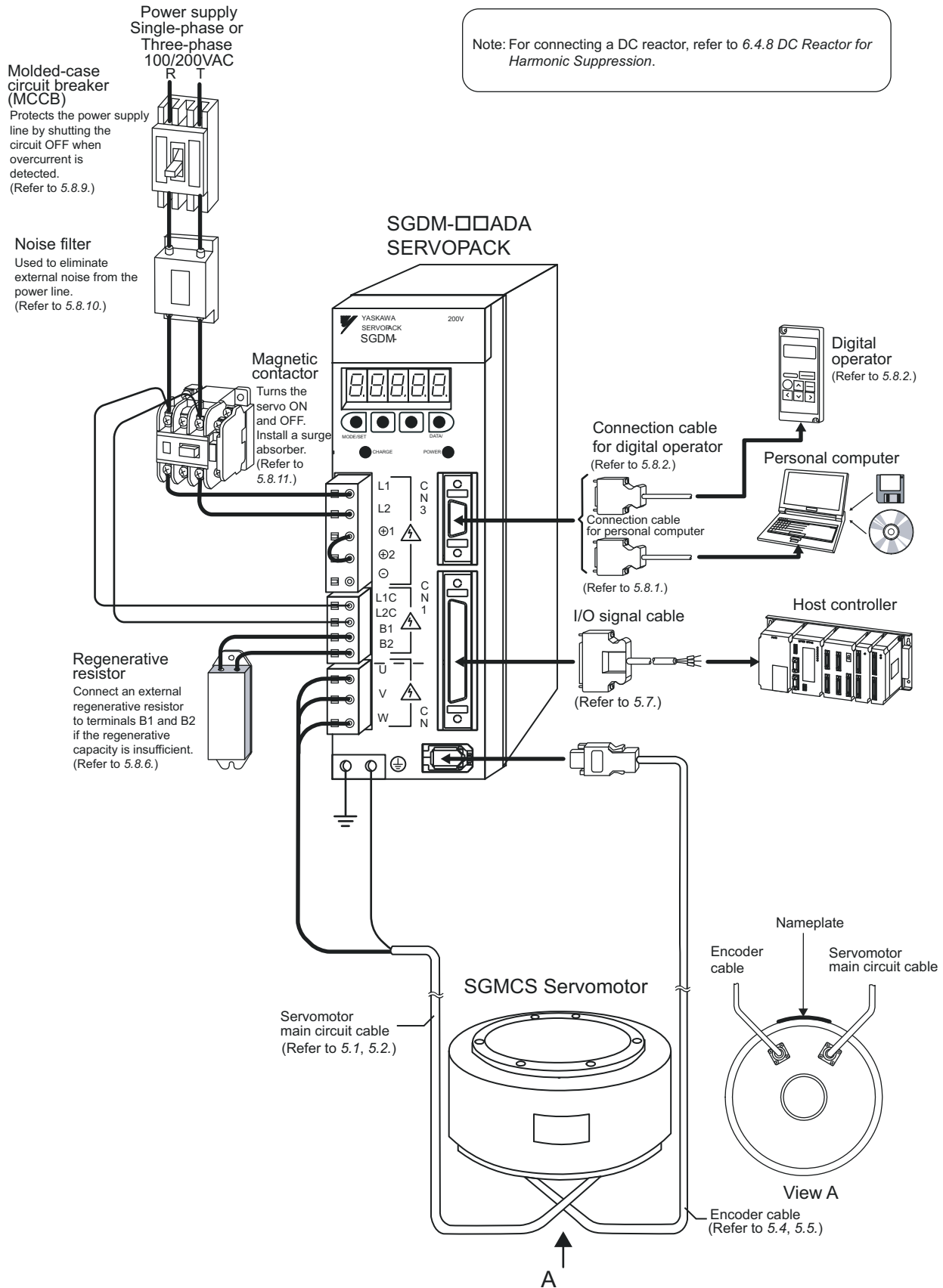


### 1.3.2 Three-phase, 200 V Main Circuit





### 1.3.3 Connecting to SGMCS Servomotor



## 1.4 Applicable Standards

$\Sigma$ -II Series servo drives conform to the following overseas standards.

### 1.4.1 North American Safety Standards (UL, CSA)



Model		UL* <sup>1</sup> Standards (UL File No.)	CSA* <sup>2</sup> Standards	Certifications
SERVOPACK	• SGDM	UL508C(E147823)	CSA C22.2 No.14	UL
Servomotor	• SGMAH • SGMPH • SGMGH • SGMSH • SGMDH • SGMCS	UL1004(E165827)	CSA C22.2 No.100	

\* 1. Underwriters Laboratories Inc.

\* 2. Canadian Standards Association.

### 1.4.2 CE Marking



Model		Low Voltage Directive	EMC Directive		Certifications
			EMI	EMS	
SERVOPACK	• SGDM	EN50178	EN55011 group 1 class A	EN50082-2 or EN61000-6-2	TÜV PS*
Servomotor	• SGMAH • SGMPH • SGMGH • SGMSH • SGMDH • SGMCS	IEC60034-1 IEC60034-5 IEC60034-8 IEC60034-9			

\* TÜV Product Services GmbH

Note: For installation conditions, refer to 6.4.2 *Wiring for Noise Control*.

Because SERVOPACKS and servomotors are built-in type, reconfirmation is required after being installed in the final product.

## 1.5 $\Sigma$ -II Series SGDM SERVOPACK Upgraded Functions

The following functions have been added or upgraded on the SGDM SERVOPACK with software version 32 or later.

Refer to the following table for the added or improved functions for each model.

Function Item	Description	Software Version 31 or earlier	Software Version 32 or later	Reference Section
Applicable capacity range	30W to 3.0 KW	Applicable	Applicable	–
	30W to 15.0 kW	N/A	Applicable	–
Speed feed forward	In the position control mode, the speed feed forward reference using an analog voltage can be input by the speed reference (V-REF) input.	N/A	Applicable	9.4.3
Torque limit using an external torque limit and analog voltage reference	To enable the torque limit function using analog voltage reference only when either /P-CL or /N-CL signal is ON.	N/A	Applicable	8.9.4
Input signal polarity reversal	To reverse the “Enabled” logic polarity of sequence input signal	N/A	Applicable	7.3.2
Output signal polarity reversal	To reverse the “Enabled” logic polarity of sequence output signal	N/A	Applicable	7.3.3
Multiturn limit setting	To set the upper limit of multiturn data when using an absolute encoder.	N/A	Applicable	8.4.7
“Multiturn limit disagreement” alarm detection	To detect the alarm A.CC when the multiturn limit value set in the encoder does not agree with that in the SERVOPACK.	N/A	Applicable	8.4.8
Average movement filter of position reference	To filter the position reference pulse of constant frequency inside the SERVOPACK. Either acceleration/deceleration filter or average movement filter can be selected.	N/A	Applicable	8.6.4
Notch filter	Filtering function to suppress vibration according to the machine’s vibration frequency.	N/A	Applicable	9.4.10
Second stage notch filter and changeable Q value	A second stage notch filter is added. And the Q value (sharpness of notching) can be changed.	N/A	Applicable	10.3.4
Direct-drive motor for SGMCS	Applicable to the SGMCS direct-drive motors	N/A	Applicable	10.3.1
Single-turn data for absolute encoder	Adapted to single-turn data absolute encoders that are mounted on direct-drive motors as standard	N/A	Applicable	10.4.2
Enhanced dividing output resolution	The upper limit of dividing output 16384 [P/R] (equivalent to 16-bit) of feedback pulse is increased to 262144 [P/R] (equivalent to 20-bit).	N/A	Applicable	10.3.2
Reference pulse input multiplication switching	The reference pulse multiplication can be selected from 1 to 99.	N/A	Applicable	10.3.3

(Cont'd)

Function Item	Description	Software Version 31 or earlier	Software Version 32 or later	Reference Section
Automatic gain switching	The switching between Gain Setting 1 and Gain Setting 2 is automatically carried out according to the conditions of position reference and position error.	N/A	Applicable	10.3.5
Increase moment of inertia ratio range	The setting range "0 to 10,000%" of moment of inertia ratio is extended to "0 to 20,000%".	N/A	Applicable	10.4.1
Read serial number and date of manufacture	The serial number and manufacture for the data of SERVOPACK can be read with "SigmaWin+ *."	N/A	Applicable	10.4.3

\* SigmaWin+ is a Windows-compatible software tool used to set up and tune Yaskawa servo drives. SigmaWin+ can be downloaded from the e-mechatronics site (<http://www.e-mechatronics.com/en>).

## Selections

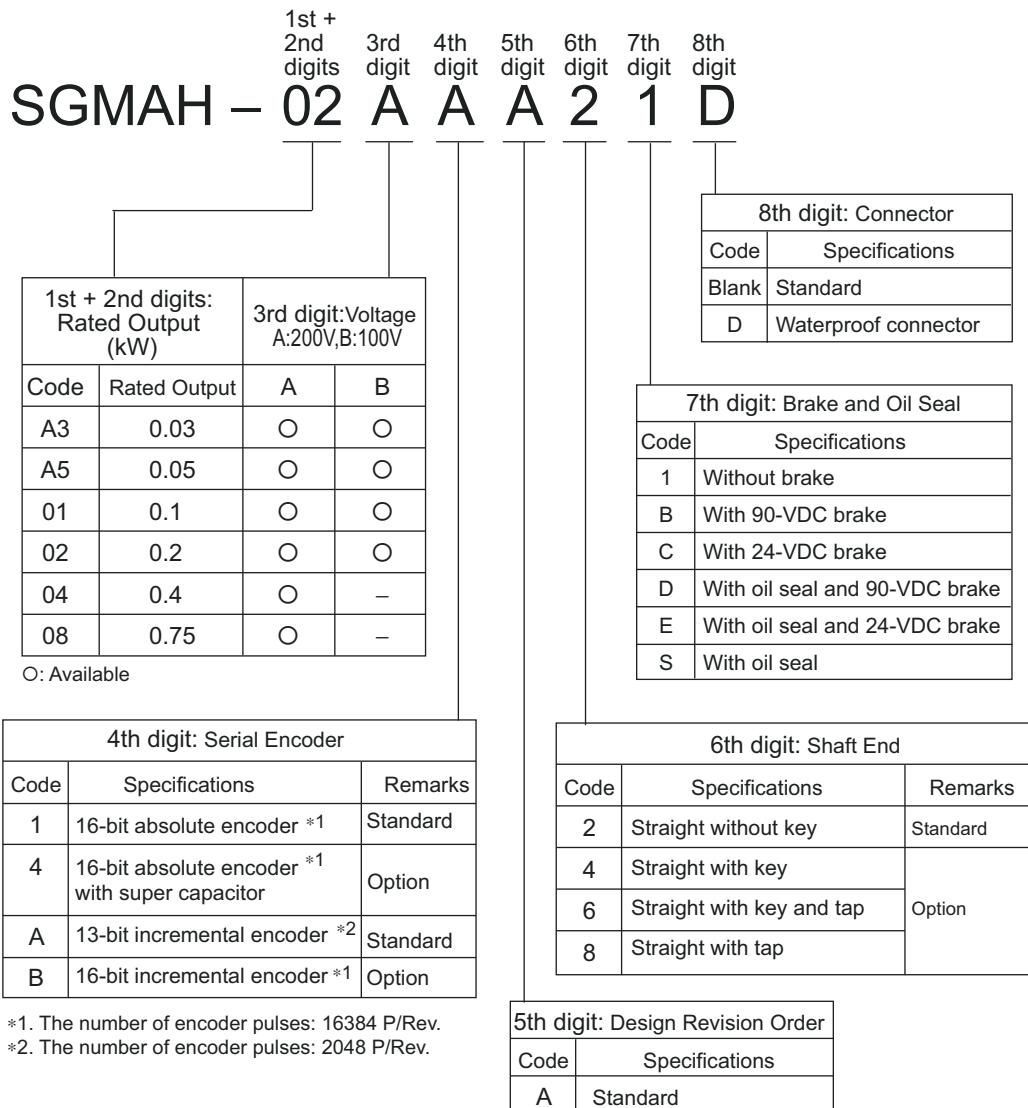
2.1 Servomotor Model Designations	2-2
2.1.1 Model SGMAH (3000 min <sup>-1</sup> )	2-2
2.1.2 Model SGMPH (3000 min <sup>-1</sup> )	2-4
2.1.3 Model SGMGH (1500 min <sup>-1</sup> )	2-6
2.1.4 Model SGMGH (1000 min <sup>-1</sup> )	2-8
2.1.5 Model SGMSH (3000 min <sup>-1</sup> )	2-10
2.1.6 Model SGMDH (2000 min <sup>-1</sup> )	2-12
2.1.7 Model SGMCS	2-13
2.2 SERVOPACK Model Designations	2-14
2.3 Σ-II Series SERVOPACKs and Applicable Servomotors	2-15
2.3.1 SGDM SERVOPACKs and SGM□H Servomotors	2-15
2.3.2 SGDM SERVOPACKs and SGMCS Servomotors	2-16
2.4 Selecting Cables	2-17
2.4.1 Cables for SGMAH and SGMPH Servomotors	2-17
2.4.2 Cables for SGMGH/SGMSH/SGMDH Servomotors	2-20
2.4.3 Cables for SGMCS Servomotors	2-23
2.5 Selecting Peripheral Devices	2-26
2.5.1 Special Options	2-26
2.5.2 Molded-case Circuit Breaker and Fuse Capacity	2-28
2.5.3 Noise Filters, Magnetic Conductors, Surge Absorbers and DC Reactors	2-29
2.5.4 Regenerative Resistors and Brake Power Supply Units	2-30

## 2.1 Servomotor Model Designations

This section explains how to check the servomotor model and ratings. The alphanumeric codes after SGM□H indicate the specifications.

### 2.1.1 Model SGMAH (3000 min<sup>-1</sup>)

#### (1) Without Gears



(2) With Gears

1st + 2nd digits: Rated Output (kW) | 3rd digit: Voltage A:200V,B:100V | 4th digit: Serial Encoder | 5th digit: Design Revision Order | 6th digit: Gear Type | 7th digit: Gear Ratio | 8th digit: Shaft End | 9th digit: Brake | 10th digit: Connector

**SGMAH – 01 A A A H 1 2 B D**

1st + 2nd digits: Rated Output (kW)		3rd digit: Voltage A:200V,B:100V	
Code	Rated Output	A	B
A3	0.03	○	○
A5	0.05	○	○
01	0.1	○	○
02	0.2	○	○
04	0.4	○	–
08	0.75	○	–

○: Available

4th digit: Serial Encoder		
Code	Specifications	Remarks
1	16-bit absolute encoder *1	Standard
4	16-bit absolute encoder *1 with super capacitor	Option
A	13-bit incremental encoder*2	Standard
B	16-bit incremental encoder*1	Option

\*1 The number of encoder pulses: 16384 P/Rev.

\*2 The number of encoder pulses: 2048 P/Rev.

5th digit: Design Revision Order	
Code	Specifications
A	Standard

10th digit: Connector	
Code	Specifications
Blank	Standard
D	Waterproof connector

9th digit: Brake	
Code	Specifications
1	Without brake
B	With 90-VDC brake
C	With 24-VDC brake

6th digit: Gear Type	7th digit: Gear Ratio	8th digit: Shaft End			
		Rated Output: A3, A5 (0.03 kW, 0.05 kW)		Rated Output: 01 to 08 (0.1 kW to 0.75 kW)	
		0 (No Shaft)	2 (Straight without key) 6 (Straight with key and tap) 8 (Straight with tap)*3	0 (No Shaft)	2 (Straight without key) 6 (Straight with key and tap) 8 (Straight with tap)*3
J (Standard Backlash Gear)	1 (1/5)	–	○	–	○
	3 (3/31)	–	○	–	○
	7 (1/33)	–	○	–	○
	C (1/21)	–	○	–	○
G (Low-backlash Gear)	1 (1/5)	○	–	○	–
	2 (1/9)	○	–	–	–
	7 (1/33)	○	–	○	–
	B (1/11)	–	–	○	–
H (Low-backlash Gear)	C (1/21)	○	–	○	–
	1 (1/5)	–	○	–	○
	2 (1/9)	–	○	–	–
	7 (1/33)	–	○	–	○
H (Low-backlash Gear)	B (1/11)	–	–	–	○
	C (1/21)	–	○	–	○

○: Available

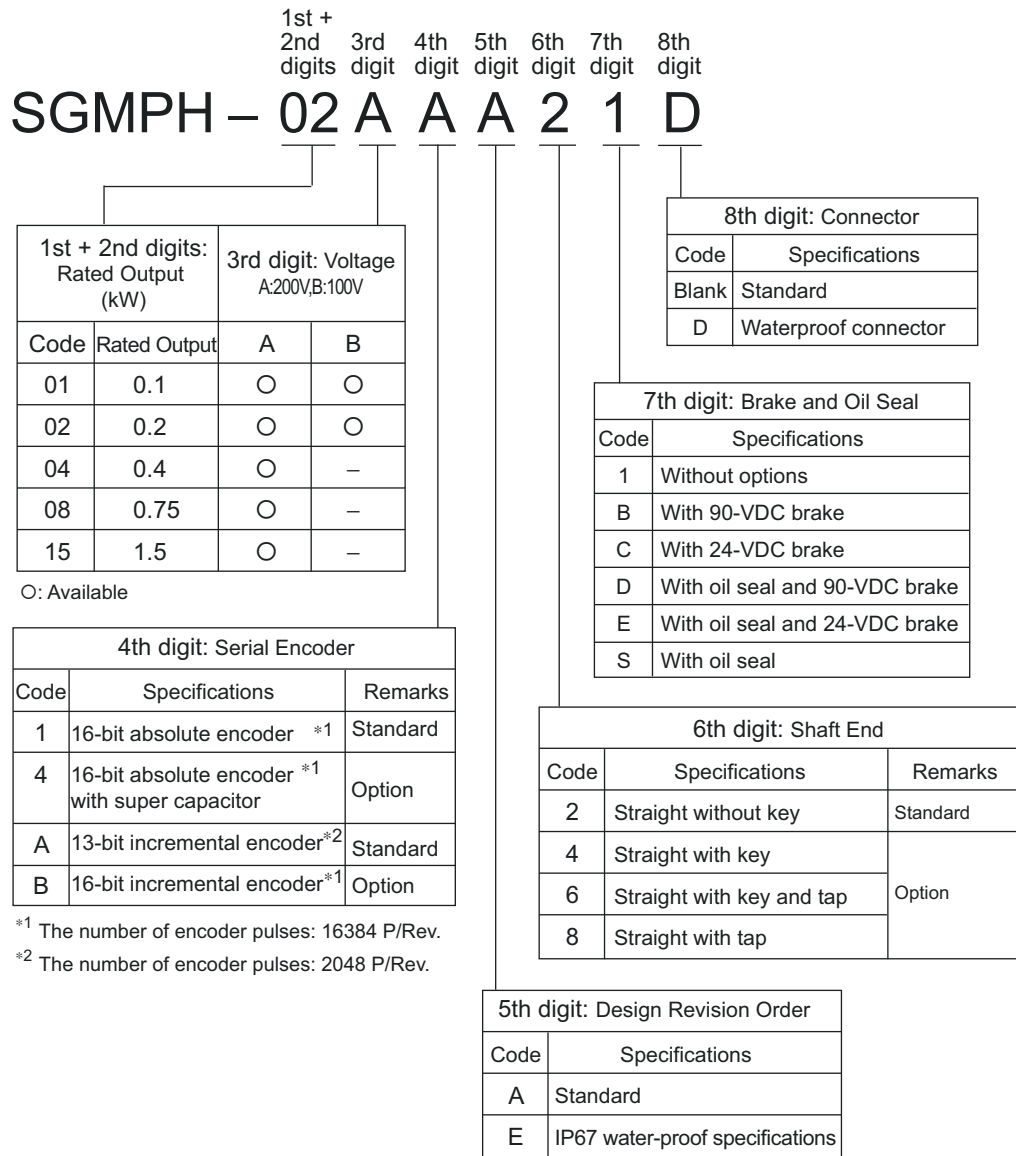
\*3 Shaft end specification 8 (straight with tap) is available only for SGMAH servomotor.

[www.nicsanat.com](http://www.nicsanat.com)  
021-87700210



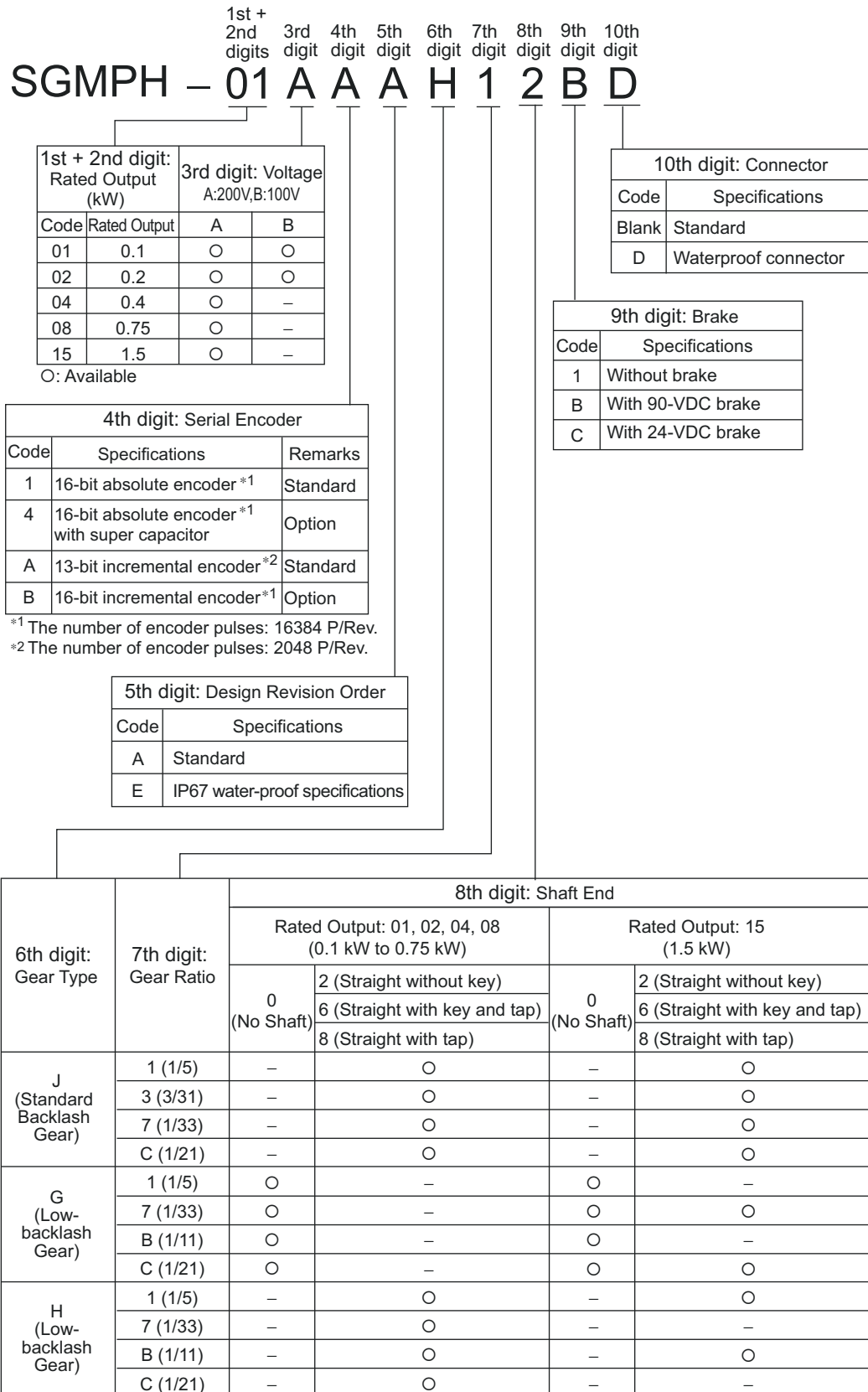
2.1.2 Model SGMPH (3000 min<sup>-1</sup>)

## (1) Without Gears





(2) With Gears

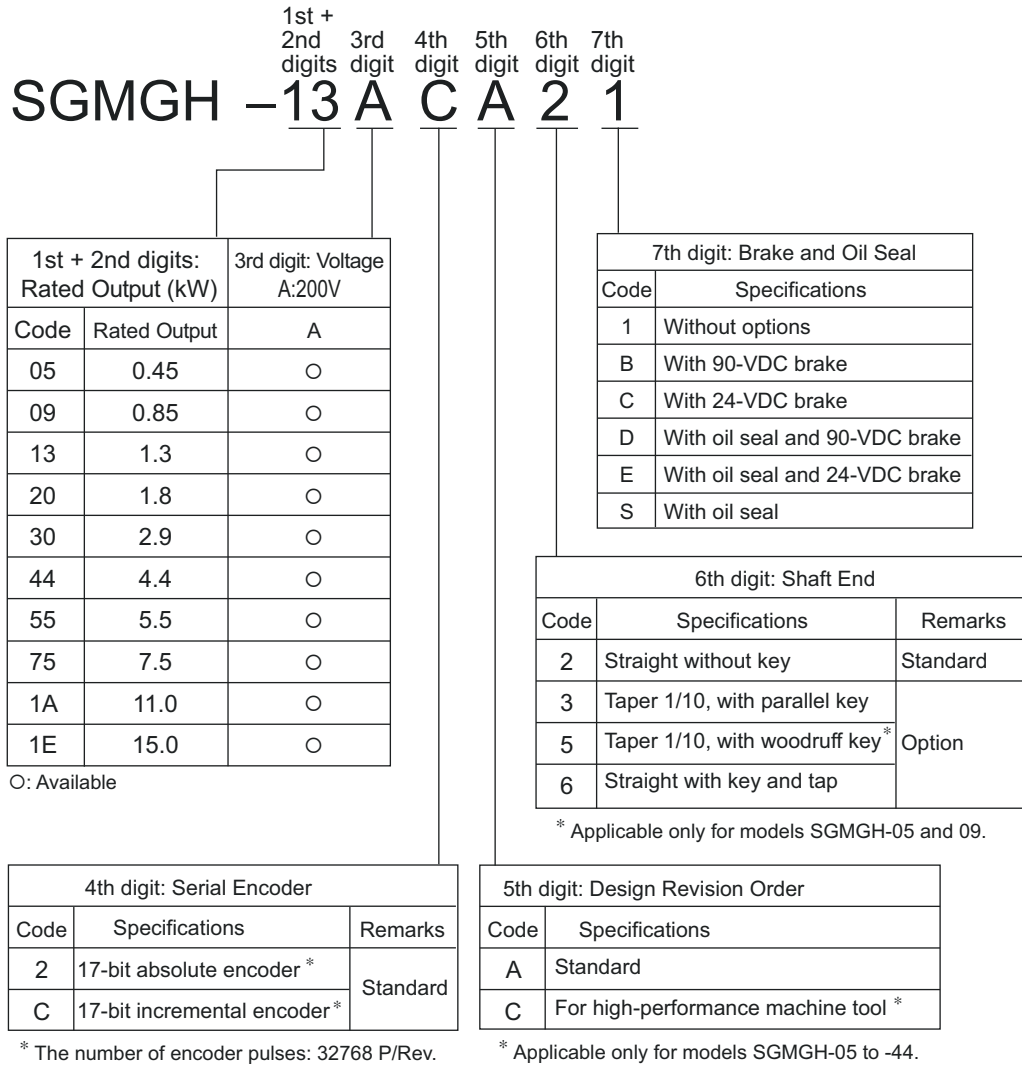


○: Available

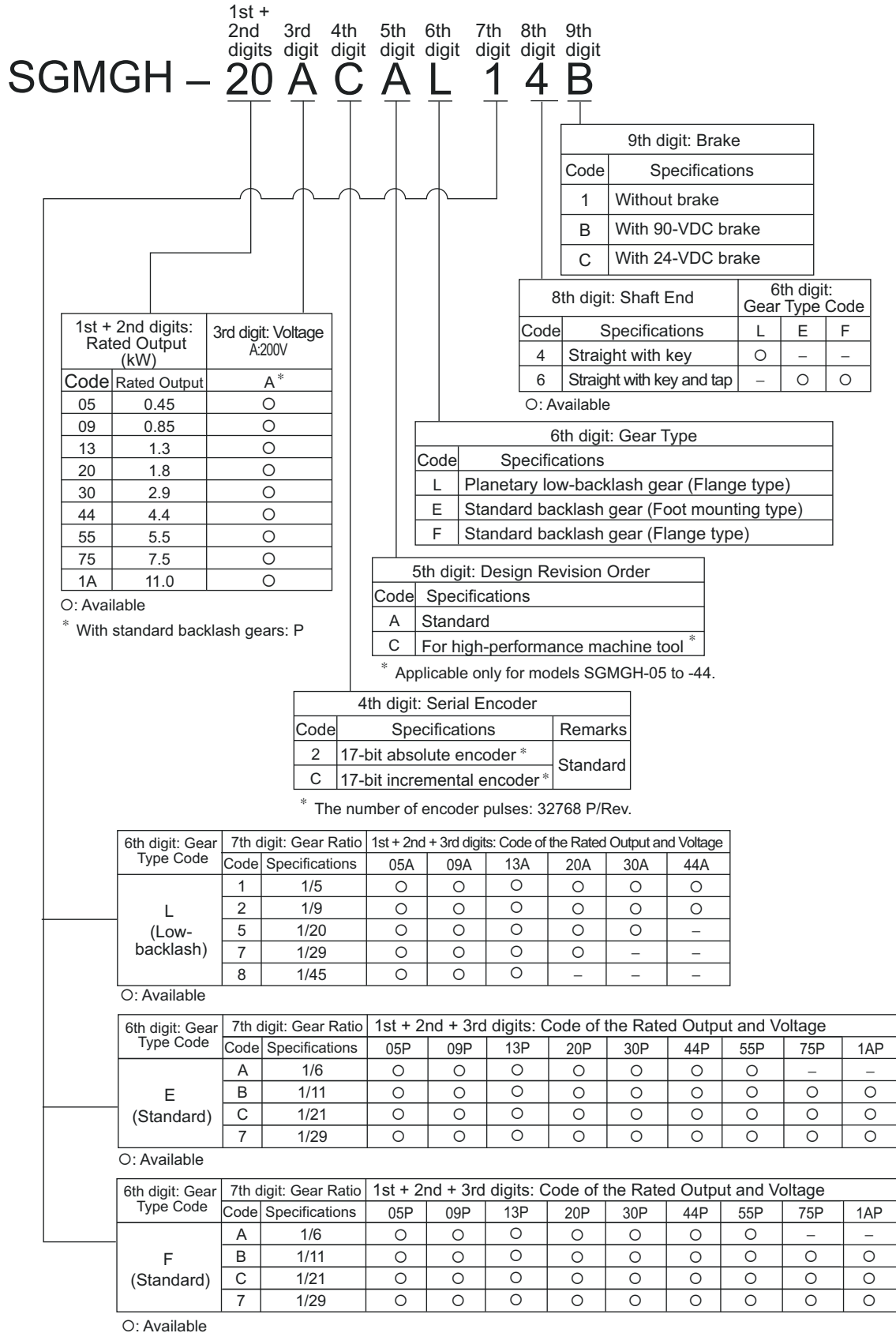
\*3 Shaft end specification 8 (straight with tap) is available only for SGMPH servomotors with low-backlash gears.

2.1.3 Model SGMGH (1500 min<sup>-1</sup>)

## (1) Without Gears



(2) With Gears



2.1.4 Model SGMGH (1000 min<sup>-1</sup>)

## (1) Without Gears

1st + 2nd digits    3rd digit    4th digit    5th digit    6th digit    7th digit

## SGMGH – 12 A C B 2 1

1st + 2nd digits: Rated Output (kW)		3rd digit: Voltage A: 200V
Code	Rated Output	A
03	0.3	○
06	0.6	○
09	0.9	○
12	1.2	○
20	2.0	○
30	3.0	○
40	4.0	○
55	5.5	○

O: Available

4th digit: Serial Encoder		
Code	Specifications	Remarks
2	17-bit absolute encoder*	Standard
C	17-bit incremental encoder*	

\* The number of encoder pulses: 32768 P/Rev.

6th digit: Shaft End		
Code	Specifications	Remarks
2	Straight without key	Standard
3	Taper 1/10, with parallel key	Option
5	Taper 1/10, with woodruff key*	
6	Straight with key and tap	

\* Applicable only for models SGMGH-03 and -06.

5th digit: Design Revision Order	
Code	Specifications
B	Standard
D	For high-performance machine tool *

\* Applicable only for models SGMGH-03 to -30.

7th digit: Brake and Oil Seal	
Code	Specifications
1	Without options
B	With 90-VDC brake
C	With 24-VDC brake
D	With oil seal and 90-VDC brake
E	With oil seal and 24-VDC brake
S	With oil seal

(2) With Gears

SGMGH – 20 A C B L 1 4 B

1st + 2nd digits: Rated Output (kW)  
 3rd digit: Voltage A:200V  
 4th digit: Serial Encoder  
 5th digit: Design Revision Order  
 6th digit: Gear Type  
 7th digit: Gear Ratio  
 8th digit: Shaft End  
 9th digit: Brake

Code	Rated Output	A *
03	0.3	○
06	0.6	○
09	0.9	○
12	1.2	○
20	2.0	○
30	3.0	○
40	4.0	○
55	5.5	○

○: Available  
 \* With standard backlash gears: P

Code	Specifications
B	Standard
D	For high-performance machine tool *

\* Applicable only for models SGMGH-03 to -30.

Code	Specifications	Remarks
2	17-bit absolute encoder *	Standard
C	17-bit incremental encoder *	

\* The number of encoder pulses: 32768 P/Rev.

6th digit: Gear Type Code	7th digit: Gear Ratio		1st + 2nd + 3rd digits: Code of the Rated Output and Voltage							
	Code	Specifications	03A	06A	09A	12A	20A	30A	40A	55A
L (Low-backlash)	1	1/5	○	○	○	○	○	○	-	-
	2	1/9	○	○	○	○	○	○	-	-
	5	1/20	○	○	○	○	○	-	-	-
	7	1/29	○	○	○	○	-	-	-	-
8	1/45	○	○	○	○	-	-	-	-	

○: Available

6th digit: Gear Type Code	7th digit: Gear Ratio		1st + 2nd + 3rd digits: Code of the Rated Output and Voltage							
	Code	Specifications	03P	06P	09P	12P	20P	30P	40P	55P
E (Standard)	A	1/6	○	○	○	○	○	○	○	-
	B	1/11	○	○	○	○	○	○	○	○
	C	1/21	○	○	○	○	○	○	○	○
	7	1/29	○	○	○	○	○	○	○	○

○: Available

6th digit: Gear Type Code	7th digit: Gear Ratio		1st + 2nd + 3rd digits: Code of the Rated Output and Voltage							
	Code	Specifications	03P	06P	09P	12P	20P	30P	40P	55P
F (Standard)	A	1/6	○	○	○	○	○	○	○	-
	B	1/11	○	○	○	○	○	○	○	○
	C	1/21	○	○	○	○	○	○	○	○
	7	1/29	○	○	○	○	○	○	○	○

○: Available

9th digit: Brake	
Code	Specifications
1	Without brake
B	With 90-VDC brake
C	With 24-VDC brake

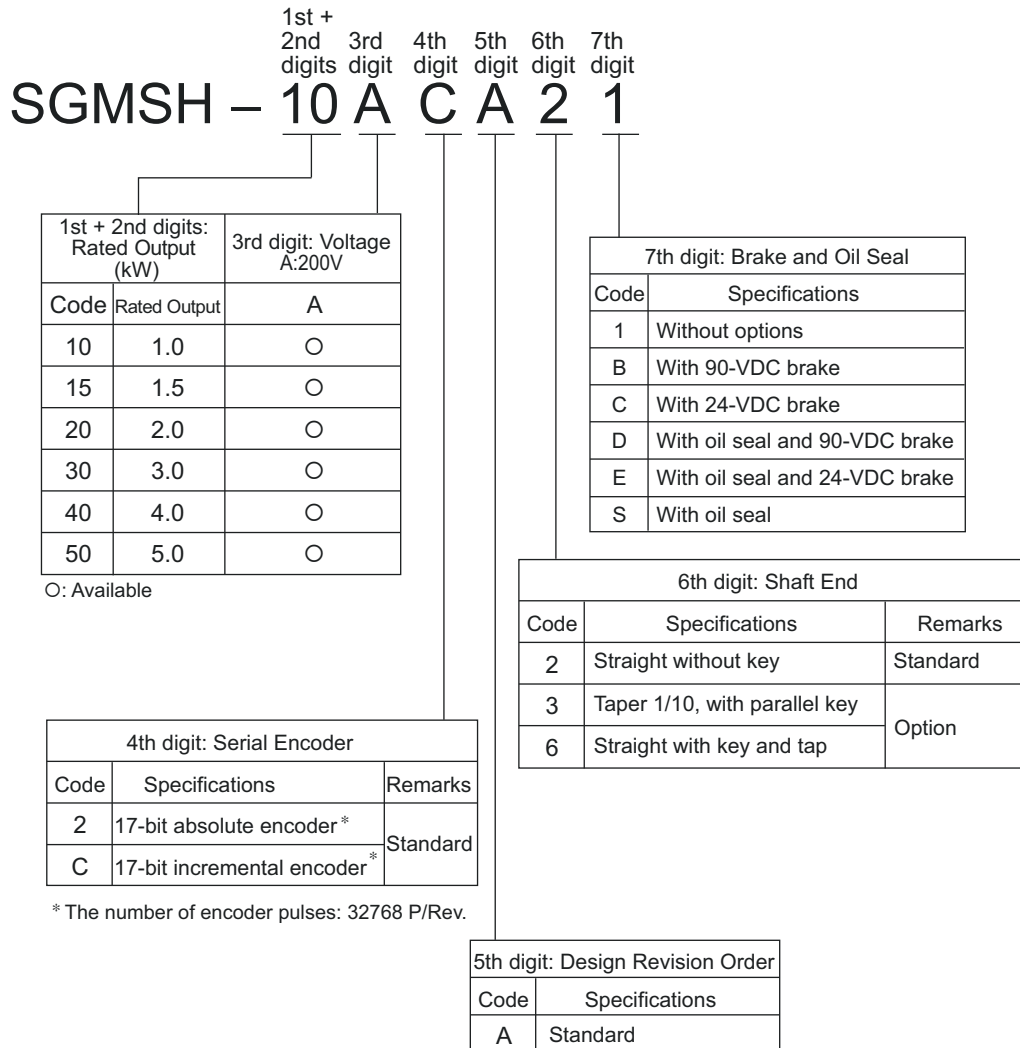
8th digit: Shaft End		6th digit: Gear Type Code		
Code	Specifications	L	E	F
4	Straight with key	○	-	-
6	Straight with key and tap	-	○	○

○: Available

6th digit: Gear Type	
Code	Specifications
L	Planetary low-backlash gear (Flange type)
E	Standard backlash gear (Foot mounting type)
F	Standard backlash gear (Flange type)

2.1.5 Model SGMSH (3000 min<sup>-1</sup>)

## (1) Without Gears



(2) With Gears

SGMSH – 10 A C A L 1 4 B

1st + 2nd digits    3rd digit    4th digit    5th digit    6th digit    7th digit    8th digit    9th digit  
 digits    digit    digit    digit    digit    digit    digit    digit

1st + 2nd digits: Rated Output (kW)		3rd digit: Voltage A:200V
Code	Rated Output	A
10	1.0	○
15	1.5	○
20	2.0	○
30	3.0	○
40	4.0	○
50	5.0	○

○: Available

4th digit: Serial Encoder		
Code	Specifications	Remarks
2	17-bit absolute encoder *	Standard
C	17-bit incremental encoder *	

\* The number of encoder pulses: 32768 P/Rev.

5th digit: Design Revision Order	
Code	Specifications
A	Standard

9th digit: Brake	
Code	Specifications
1	Without brake
B	With 90-VDC brake
C	With 24-VDC brake

8th digit: Shaft End	
Code	Specifications
4	Straight with key

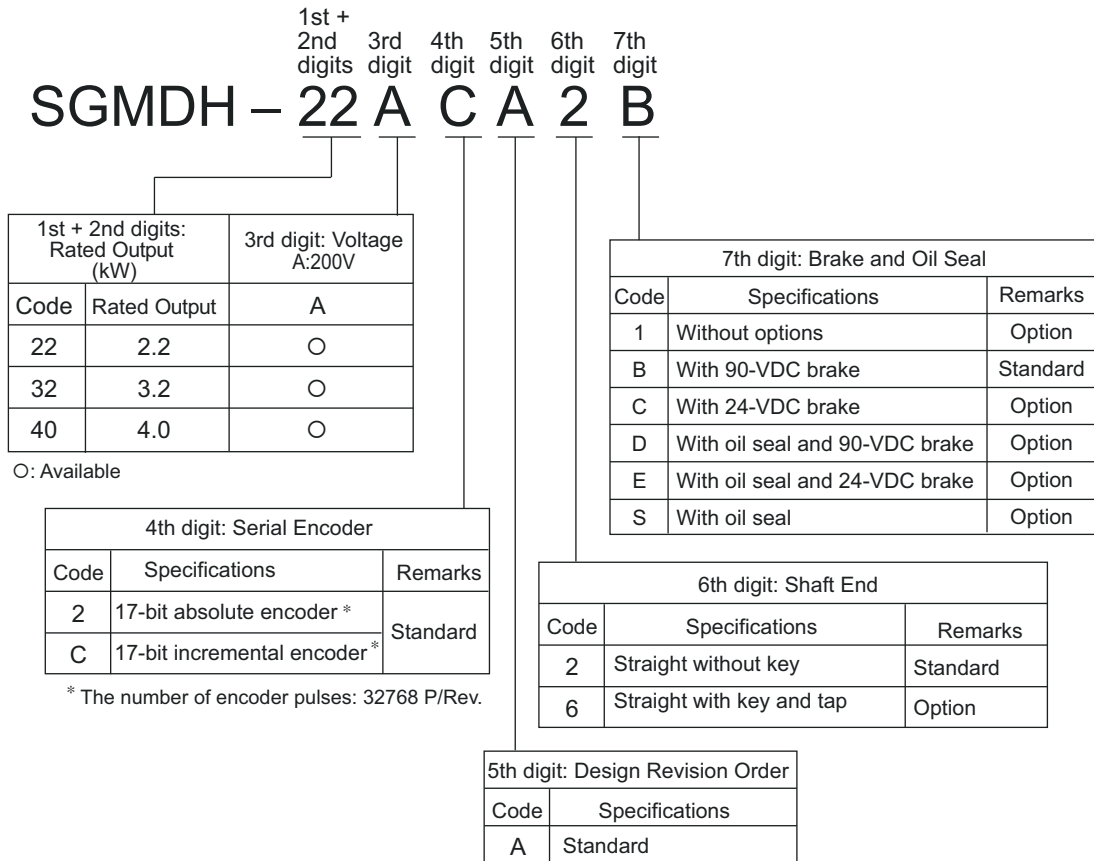
6th digit: Gear Type Code	7th digit: Gear Ratio	1st + 2nd + 3rd digits: Code of the Rated Output and Voltage							
		Code	Specifications	10A	15A	20A	30A	40A	50A
L (Low-backlash)	1	1/5	○	○	○	○	○	○	○
	2	1/9	○	○	○	○	○	○	○
	5	1/20	○	○	○	○	○	○	○
	7	1/29	○	○	○	○	○	○	–
	8	1/45	○	○	○	○	○	–	–

○: Available

6th digit: Gear Type	
Code	Specifications
L	Planetary low-backlash gear (Flange type)

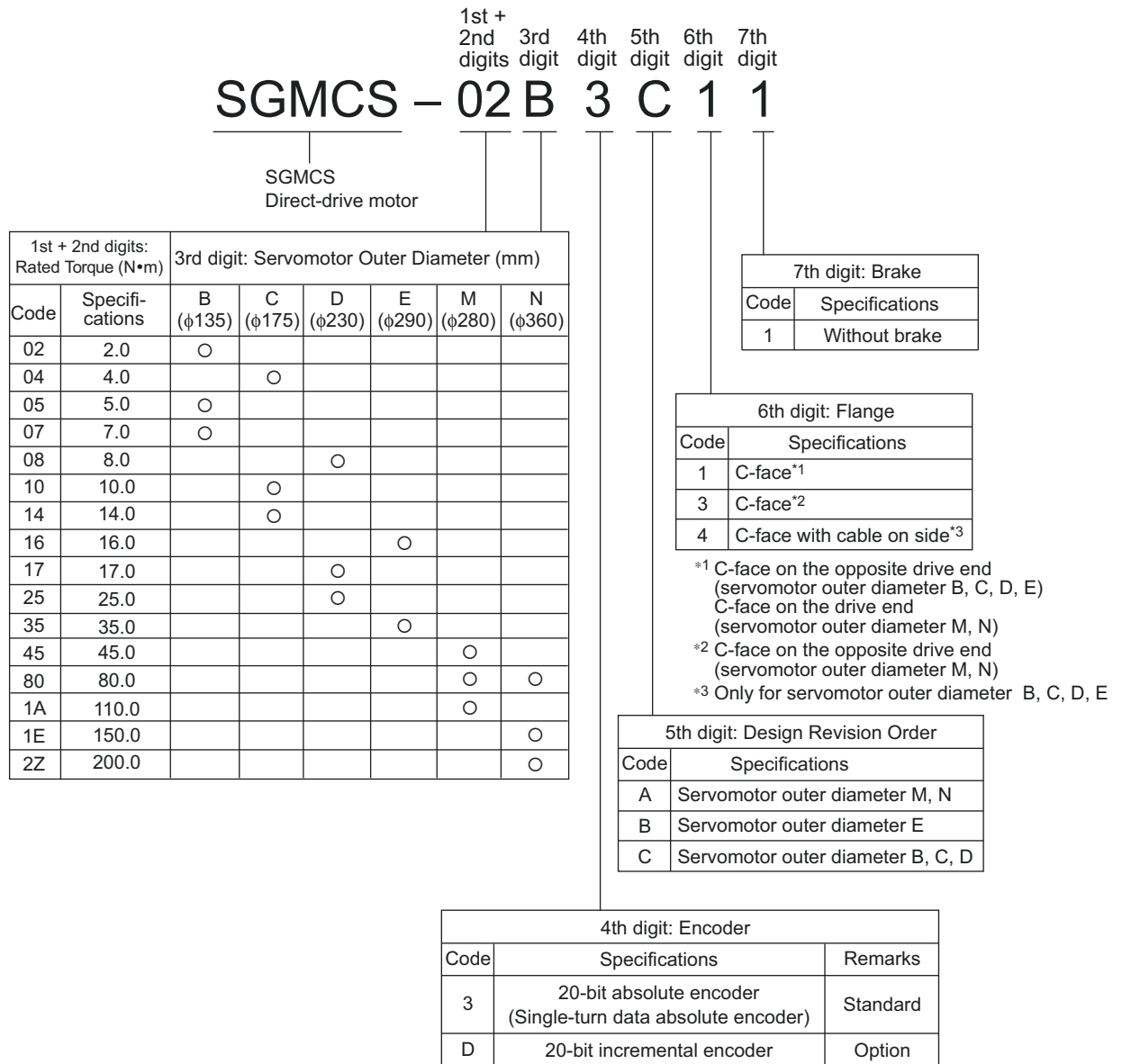
2.1.6 Model SGMDH (2000 min<sup>-1</sup>)

- SGMDH servomotors are provided with 90-VDC brakes as standard. (The seventh digit: B)
- Servomotors with backlash gears are not available for the model SGMDH.





## 2.1.7 Model SGMCS



## 2.2 SERVOPACK Model Designations

Select the SERVOPACK according to the applied servomotor.

1st + 2nd digits    3rd digit    4th digit    5th digit    6th digit  
**SGDM - 10    A    D    □    □**

1st + 2nd digits: Rated Output of Applicable Servomotor (kW)			
Code	Rated Output	Code	Rated Output
A3	0.03	15	1.5
A5	0.05	20	2.0
01	0.10	30	3.0
02	0.20	50	5.0
04	0.40	60	6.0
05	0.45	75	7.5
08	0.75	1A	11.0
10	1.0	1E	15.0

3rd digit: Power Supply Voltage	
Code	Voltage
A	Single/Three-phase 200V
B	Single-phase 100V *

\* The SGMAH and SGMPH Servomotors of 200W or less can be used with a 100V SERVOPACK.

6th digit: Option		
Code	Specifications	Rated Output of Applicable Servomotor (kW)
-	Base-mounted	0.03 to 15.0kW
-P	Duct-ventilated	6.0 to 15.0kW
-R	Rack-mounted	0.03 to 5.0kW

5th digit: Design Revision Order *
Blank or A, ...

\* Refer to 1.5  $\Sigma$ -II Series SGDM SERVOPACK Upgraded Functions for more information on the specification variances for different design revision order.

4th digit: Model (Fixed)	
Code	Remarks
D	For torque, speed, and position control

## 2.3 Σ-II Series SERVOPACKs and Applicable Servomotors

### 2.3.1 SGDM SERVOPACKs and SGM□H Servomotors

Σ-II Series SGM□H Servomotor		Σ-II Series SGDM SERVOPACK		
		Single-phase 100 VAC	Single-phase 200 VAC	Three-phase 200 VAC
SGMAH (Super High Power Capacity) 3000 min <sup>-1</sup> 8 models	A3□(30 W)	A3BD, A3BDA	A3AD, A3ADA	–
	A5□ (50 W)	A5BD, A5BDA	A5AD, A5ADA	–
	01□ (100 W)	01BD, 01BDA	01AD, 01ADA	–
	02□ (200 W)	02BD, 02BDA	02AD, 02ADA	–
	04□ (400 W)	–	04AD, 04ADA	–
	08□ (750 W)	–	–	08AD, 08ADA
SGMPH (Flat Type) 3000 min <sup>-1</sup> 5 models	01□ (100 W)	01BD, 01BDA	01AD, 01ADA	–
	02□ (200 W)	02BD, 02BDA	02AD, 02ADA	–
	04A (400 W)	–	04AD, 04ADA	–
	08A (750 W)	–	–	08AD, 08ADA
	15A (1.5 kW)	–	–	15AD, 15ADA
SGMGH (High Speed Feed) 1500 min <sup>-1</sup> 10 models	05A (450 W)	–	–	05AD, 05ADA
	09A (850 W)	–	–	10AD, 10ADA
	13A (1.3 kW)	–	–	15AD, 15ADA
	20A (1.8 kW)	–	–	20AD, 20ADA
	30A (2.9 kW)	–	–	30AD, 30ADA
	44A (4.4 kW)	–	–	50ADA
	55A (5.5 kW)	–	–	60ADA
	75A (7.5 kW)	–	–	75ADA
	1AA (11.0 kW)	–	–	1AADA
	1EA (15.0 kW)	–	–	1EADA
SGMGH (High Speed Feed) 1000 min <sup>-1</sup> 8 models	03A (300 W)	–	–	05ADA
	06A (600 W)	–	–	08ADA
	09A (900 W)	–	–	10ADA
	12A (1.2 kW)	–	–	15ADA
	20A (2.0 kW)	–	–	20ADA
	30A (3.0 kW)	–	–	30ADA
	40A (4.0 kW)	–	–	50ADA
	55A (5.5 kW)	–	–	60ADA
SGMSH (Super High Power Capacity) 3000 min <sup>-1</sup> 6 models	10A (1.0 kW)	–	–	10ADA
	15A (1.5 kW)	–	–	15ADA
	20A (2.0 kW)	–	–	20ADA
	30A (3.0 kW)	–	–	30ADA
	40A (4.0 kW)	–	–	50ADA
SGMDH (Flat Type) 2000 min <sup>-1</sup> 3 models	22A (2.2 kW)	–	–	30ADA
	32A (3.2 kW)	–	–	50ADA
	40A (4.0 kW)	–	–	50ADA

Note: 1. □=A: 200 V, B: 100 V (Be sure to match the voltage ratio on the servomotor and the SERVOPACK.)

2. Servomotors with low-backlash gears are available.

### 2.3.2 SGDM SERVOPACKs and SGMCS Servomotors

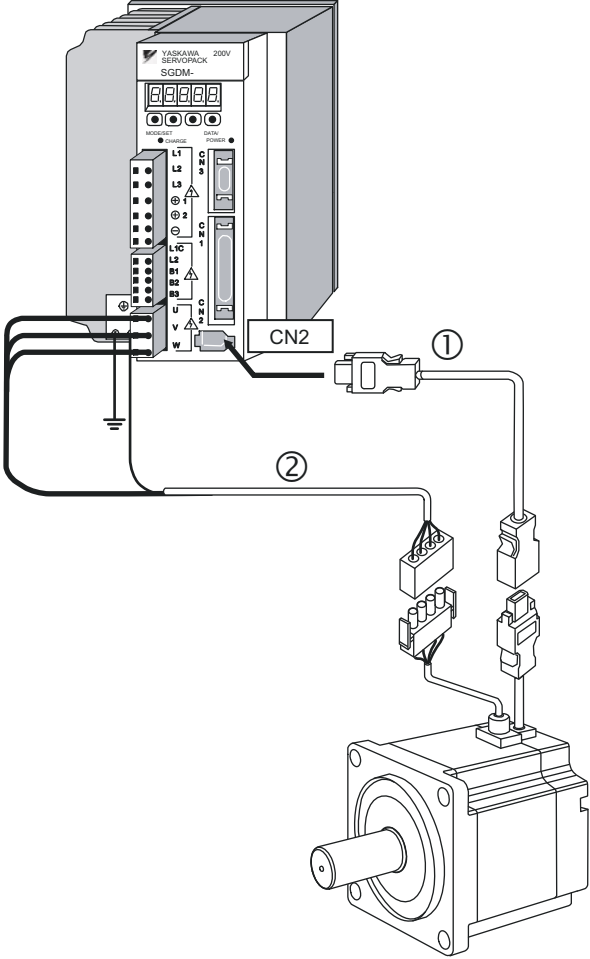
The SGMCS Servomotor can be combined only with a SGDM SERVOPACK with software version 32 or later. Note that SGMCS Servomotor can't be used with the SGDM-□□□D and SGDM SERVOPACK with software version 31 or earlier.


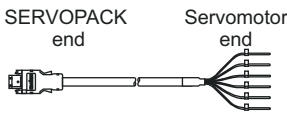

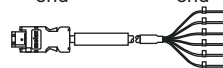

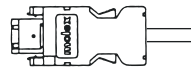
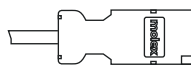
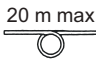
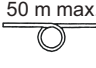
Σ-II Series SGMCS Servomotor		Σ-II Series SGDM SERVOPACK	
		Single-phase 200 VAC	Three-phase 200 VAC
SGMCS (Direct-drive series) 150 min <sup>-1</sup> 8 models 200 min <sup>-1</sup> 9 models	02B	02ADA	–
	05B	02ADA	–
	07B	02ADA	–
	04C	04ADA	–
	10C	04ADA	–
	14C	04ADA	–
	08D	04ADA	–
	17D	04ADA	–
	25D	04ADA	–
	16E	–	08ADA
	35E	–	08ADA
	45M	–	10ADA
	80M	–	15ADA
	1AM	–	20ADA
	80N	–	15ADA
	1EN	–	30ADA
	2ZN	–	30ADA

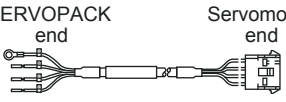
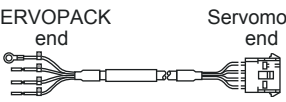
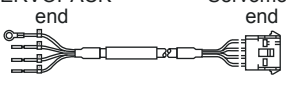
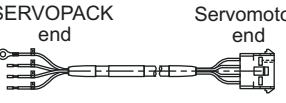
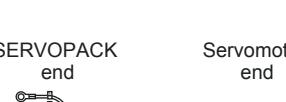



## 2.4 Selecting Cables

### 2.4.1 Cables for SGMAH and SGMPH Servomotors

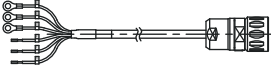
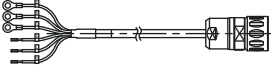

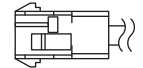
Contact Yaskawa Controls. Co., Ltd.



Name		Length	Type	Specifications	Reference
① CN2 Encoder Cable	Cable with connectors on both ends	3 m	JZSP-CMP00-03		5.4.1
		5 m	JZSP-CMP00-05		
		10 m	JZSP-CMP00-10		
		15 m	JZSP-CMP00-15		
		20 m	JZSP-CMP00-20		
	Cable with loose wire at encoder end	3 m	JZSP-CMP03-03		5.4.3
		5 m	JZSP-CMP03-05		
		10 m	JZSP-CMP03-10		
		15 m	JZSP-CMP03-15		
		20 m	JZSP-CMP03-20		
	Flexible type cable with connectors on both ends	3 m	JZSP-CMP10-03		5.4.5
		5 m	JZSP-CMP10-05		
		10 m	JZSP-CMP10-10		
		15 m	JZSP-CMP10-15		
		20 m	JZSP-CMP10-20		
	Flexible type cable with loose wire at encoder end	3 m	JZSP-CMP13-03		5.4.5
		5 m	JZSP-CMP13-05		
		10 m	JZSP-CMP13-10		
		15 m	JZSP-CMP13-15		
		20 m	JZSP-CMP13-20		
	Cable with a water-proof connector	3 m	DP9325256-1		5.4.7
5 m		DP9325256-2			
10 m		DP9325256-3			
15 m		DP9325256-4			
20 m		DP9325256-5			
SERVOPACK end connector kit			JZSP-CMP9-1	Soldered 	5.5.1
Encoder end connector kit			JZSP-CMP9-2	Soldered 	5.4.3 5.4.5 5.5.1
Cables	5 m	JZSP-CMP09-05		5.5.1	
	10 m	JZSP-CMP09-10			
	15 m	JZSP-CMP09-15			
	20 m	JZSP-CMP09-20			
	30 m	JZSP-CMP19-30			
	40 m	JZSP-CMP19-40			
	50 m	JZSP-CMP19-50			

Name	Servomotor Model	Length	Type	Specifications	Reference		
② Servomotor Main Circuit Cables and Connectors	Without brakes	SGMAH 200 V: 30 W to 750 W 100 V: 30 W to 200 W	3 m	JZSP-CMM00-03		5.1.1	
			5 m	JZSP-CMM00-05			
		SGMPH 200 V: 100 W to 750 W 100 V: 100 W and 200 W	10 m	JZSP-CMM00-10			
			15 m	JZSP-CMM00-15			
			20 m	JZSP-CMM00-20			
		SGMPH-15A 1.5 kW	3 m	JZSP-CMM20-03		5.1.1	
			5 m	JZSP-CMM20-05			
			10 m	JZSP-CMM20-10			
			15 m	JZSP-CMM20-15			
		400 V SGMAH 300 W, 650 W	3 m	JZSP-CMM40-03		5.1.6	
			5 m	JZSP-CMM40-05			
			10 m	JZSP-CMM40-10			
			15 m	JZSP-CMM40-15			
		400 V SGMPH 200 W to 1.5 kW	20 m	JZSP-CMM40-20			
			Flexible type SGMAH 200 V: 30 W to 750 W 100 V: 30 W to 200 W SGMPH 200 V: 100 W to 750 W 100 V: 100 W and 200 W	3 m	JZSP-CMM01-03		5.1.3
				5 m	JZSP-CMM01-05		
				10 m	JZSP-CMM01-10		
		15 m		JZSP-CMM01-15			
			20 m	JZSP-CMM01-20			
		With brakes	SGMAH 200 V: 30 W to 750 W 100 V: 30 W to 200 W SGMPH 200 V: 100 W to 750 W 100 V: 100 W and 200 W	3 m	JZSP-CMM10-03		5.1.2
	5 m			JZSP-CMM10-05			
	10 m			JZSP-CMM10-10			
	15 m			JZSP-CMM10-15			
	20 m			JZSP-CMM10-20			
	SGMPH-15A 1.5 kW		3 m	JZSP-CMM30-03		5.1.2	
			5 m	JZSP-CMM30-05			
			10 m	JZSP-CMM30-10			
			15 m	JZSP-CMM30-15			
			20 m	JZSP-CMM30-20			
	400 V SGMAH 300 W, 650 W		3 m	JZSP-CMM50-03		5.1.2	
			5 m	JZSP-CMM50-05			
			10 m	JZSP-CMM50-10			
			15 m	JZSP-CMM50-15			
			20 m	JZSP-CMM50-20			
	Flexible type SGMAH 200 V: 30 W to 750 W 100 V: 30 W to 200 W SGMPH 200 V: 100 W to 750 W 100 V: 100 W and 200 W	3 m	JZSP-CMM11-03		5.1.4		
		5 m	JZSP-CMM11-05				
		10 m	JZSP-CMM11-10				
		15 m	JZSP-CMM11-15				
		20 m	JZSP-CMM11-20				

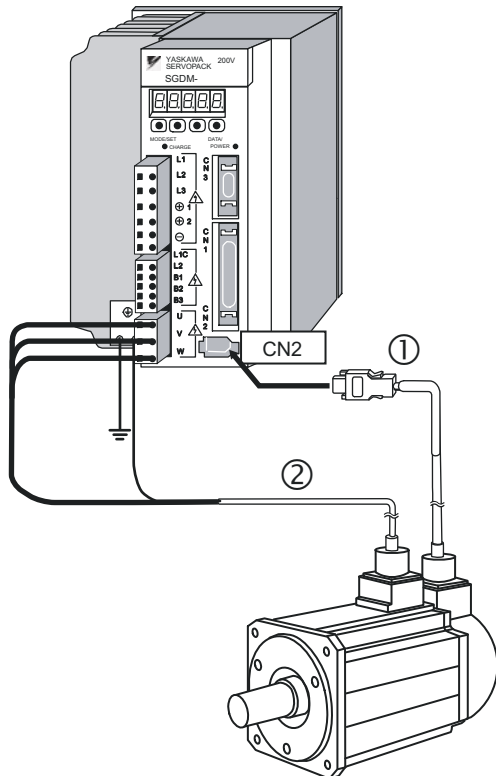
Note: When using the cable for the moving section such as robots, use a flexible type cable. For the safety precautions, see 5.7 I/O Signal Cables for CNI Connector.

Name	Servomotor Model	Length	Type	Specifications	Reference	
② Servomotor Main Circuit Cables and Connectors (Cont'd)	SGMAH 30 W to 750 W SGMPH 100 W to 750 W	3 m	DP9328645-1	SERVOPACK end* Servomotor end 	5.1.5	
		5 m	DP9328645-2			
		10 m	DP9328645-3			
		15 m	DP9328645-4			
		20 m	DP9328645-5			
	SGMPH-15 1.5 kW	3 m	DP9328646-1	SERVOPACK end* Servomotor end 		
		5 m	DP9328646-2			
		10 m	DP9328646-3			
		15 m	DP9328646-4			
		20 m	DP9328646-5			
	For standard environment connector kit without brakes	SGMAH 30 W to 750 W SGMPH 100 W to 750 W		JZSP-CMM9-1		
		SGMPH 1.5 kW		JZSP-CMM9-3		
	For standard environment connector kit with brakes	SGMAH 30 W to 750 W SGMPH 100 W to 750 W		JZSP-CMM9-2		
		SGMPH 1.5 kW		JZSP-CMM9-4		


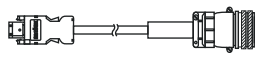
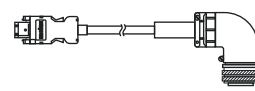

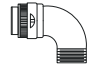
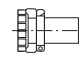


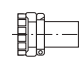

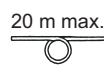
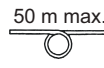
\* For servomotors with brakes, cut the brake leads for use.

### 2.4.2 Cables for SGMGH/SGMESH/SGMDH Servomotors

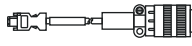
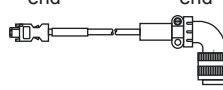
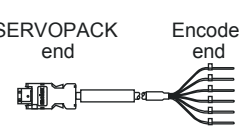
Contact Yaskawa Controls. Co., Ltd.





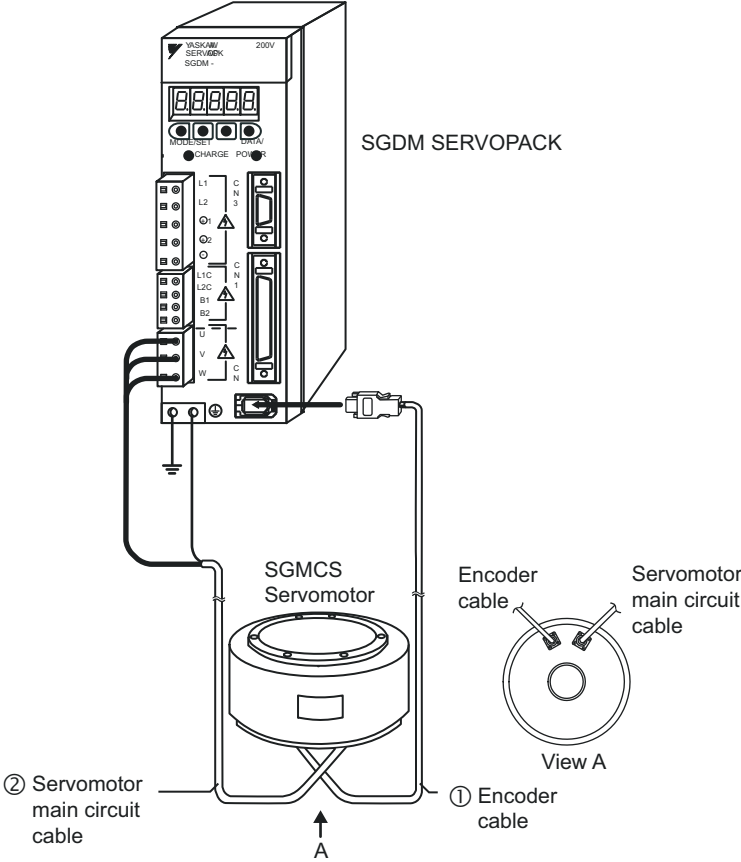
Name	Length	Type	Specifications	Reference	
① <b>CN2</b> <b>Encoder Cables</b> * Applicable for every type and capacity.	Cable with loose wires at encoder end	3 m	JZSP-CMP03-03	SERVOPACK end    Encoder end 	5.4.4
		5 m	JZSP-CMP03-05		
		10 m	JZSP-CMP03-10		
		15 m	JZSP-CMP03-15		
		20 m	JZSP-CMP03-20		
	Cable with connectors on both ends	3 m	JZSP-CMP01-03	With an straight plug SERVOPACK end    Encoder end 	5.4.2
		5 m	JZSP-CMP01-05		
		10 m	JZSP-CMP01-10		
		15 m	JZSP-CMP01-15	With an L-shaped plug SERVOPACK end    Encoder end 	
		20 m	JZSP-CMP01-20		
		3 m	JZSP-CMP02-03		
		5 m	JZSP-CMP02-05		
		10 m	JZSP-CMP02-10		
		15 m	JZSP-CMP02-15		
	20 m	JZSP-CMP02-20			
	For standard environment encoder end connector		MS3106B20-29S*	Straight plug 	5.4.4 5.5.2
			MS3108B20-29S*	L-shaped plug 	
			MS3057-12A*	Cable clamp 	
	For IP67 specification encoder end connector		JA06A-20-29S-J1-EB	Straight plug 	5.5.2
			JA08A-20-29S-J1-EB	L-shaped plug 	
			JL04-2022CKE (09) Cable diameter: φ6.5 to φ9.5 mm	Cable clamp 	
		JL04-2022CKE (12) Cable diameter: φ9.5 to φ13 mm			
	JL04-2022CKE (14) Cable diameter: φ12.9 to φ15.9 mm				
SERVOPACK end connector kit		JZSP-CMP9-1	Soldered 	5.5.2	
Cables	5 m	JZSP-CMP09-05		5.5.2	
	10 m	JZSP-CMP09-10			
	15 m	JZSP-CMP09-15			
	20 m	JZSP-CMP09-20			
	30m	JZSP-CMP19-30			
	40m	JZSP-CMP19-40			
	50m	JZSP-CMP19-50			

\* Contact DDK Electronics, Inc.

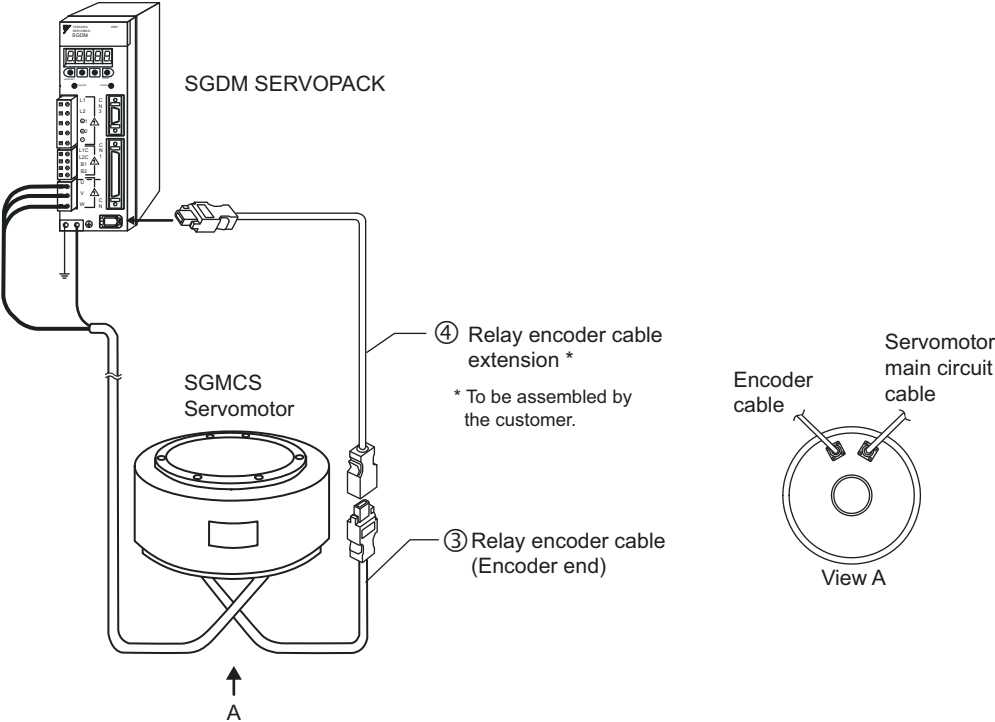
Name		Length	Type	Specifications	Reference	
① <span style="border: 1px solid black; padding: 2px;">CN2</span> Encoder Cables (Cont'd) * Applicable for every type and capacity.	Flexible type cable with connectors on both ends	3m	JZSP-CMP11-03	With a straight plug SERVOPACK end      Encoder end 	5.4.6	
		5 m	JZSP-CMP11-05			
		10 m	JZSP-CMP11-10			
		15 m	JZSP-CMP11-15			
		20 m	JZSP-CMP11-20			
		Flexible type cable with loose wire at encoder end	3m	JZSP-CMP12-03		With an L-shaped plug SERVOPACK end      Encoder end 
			5 m	JZSP-CMP12-05		
			10 m	JZSP-CMP12-10		
			15 m	JZSP-CMP12-15		
			20 m	JZSP-CMP12-20		
	Flexible type cable with loose wire at encoder end	3m	JZSP-CMP13-03			
		5 m	JZSP-CMP13-05			
		10 m	JZSP-CMP13-10			
		15 m	JZSP-CMP13-15			
		20 m	JZSP-CMP13-20			
② Servomotor Main Circuit Cables and Connectors	Cables and connectors			Cables with connectors are not available. Refer to <i>Chapter 5 Specifications and Dimensional Drawings of Cables and Peripheral Devices</i> .	–	



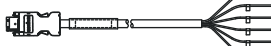
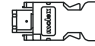
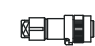


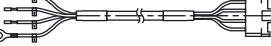
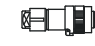


Note: When using the cable for the moving section such as robots, use a flexible type cable. For the safety precautions, see 5.7 I/O Signal Cables for CNI Connector.


### 2.4.3 Cables for SGMCS Servomotors



- Encoder cable extension from 20 m up to 50 m



Name	Servomotor Model	Length	Type		Specifications	Reference	
			Standard type	Flexible Type *1			
① CN2 Encoder Cables * Applicable for every type.	Cable with connectors on both ends (Same for incremental and absolute encoder)	3 m	JZSP-CMP60-03	JZSP-CSP60-03	Applicable flange*3: 1, 3 SERVOPACK end Encoder end 	5.4.8	
		5 m	JZSP-CMP60-05	JZSP-CSP60-05			
		10 m	JZSP-CMP60-10	JZSP-CSP60-10			
		15 m	JZSP-CMP60-15	JZSP-CSP60-15			
		20 m	JZSP-CMP60-20	JZSP-CSP60-20			
		3 m	JZSP-CMP00-03	JZSP-CMP10-03	Applicable flange*3: 4 SERVOPACK end Encoder end 		
		5 m	JZSP-CMP00-05	JZSP-CMP10-05			
		10 m	JZSP-CMP00-10	JZSP-CMP10-10			
		15 m	JZSP-CMP00-15	JZSP-CMP10-15			
		20 m	JZSP-CMP00-20	JZSP-CMP10-20			
	Cable with loose wires at encoder end (Same for incremental and absolute encoder)	3 m	JZSP-CMP03-03	JZSP-CMP13-03	SERVOPACK end Encoder end 		
		5 m	JZSP-CMP03-05	JZSP-CMP13-05			
		10 m	JZSP-CMP03-10	JZSP-CMP13-10			
		15 m	JZSP-CMP03-15	JZSP-CMP13-15			
		20 m	JZSP-CMP03-20	JZSP-CMP13-20			
SERVOPACK-end Connector kit		JZSP-CMP9-1		Solder type 	5.5.3		
Encoder-end Connector (Straight plug)		JN1DS10SL1*2		Crimping type 			
Encoder-end Connector (Socket contact)		JN1-22-22S-PKG100*2					
Cables		5 m	JZSP-CMP09-05	JZSP-CSP39-05	20 m max. 		
		10 m	JZSP-CMP09-10	JZSP-CSP39-10			
		15 m	JZSP-CMP09-15	JZSP-CSP39-15			
		20 m	JZSP-CMP09-20	JZSP-CSP39-20			
② Servomotor main circuit cables and connectors	Without Brakes (For small-capacity series)	SGMCS-□□B,C,D,E	3 m	JZSP-CMM60-03	JZSP-CSM60-03	Applicable flange*3: 1 SERVOPACK end Encoder end 	5.1.6
			5 m	JZSP-CMM60-05	JZSP-CSM60-05		
			10 m	JZSP-CMM60-10	JZSP-CSM60-10		
			15 m	JZSP-CMM60-15	JZSP-CSM60-15		
			20 m	JZSP-CMM60-20	JZSP-CSM60-20		
			3 m	JZSP-CMM00-03	JZSP-CMM01-03	Applicable flange*3: 4 SERVOPACK end Encoder end 	
			5 m	JZSP-CMM00-05	JZSP-CMM01-05		
			10 m	JZSP-CMM00-10	JZSP-CMM01-10		
	15 m	JZSP-CMM00-15	JZSP-CMM01-15				
	20 m	JZSP-CMM00-20	JZSP-CMM01-20				
	Without Brakes (For middle-capacity series)	SGMCS-□□M,N				Cables with connectors and cables/connector are not available. Applicable flange*3: 1, 3	5.2.12
	Servomotor-end Connector		JN1DS04FK1*2		Solder type 	5.1.6 5.2.12	
	Cables	SGMCS-□□B,C,D,E	5 m	JZSP-CSM90-05	JZSP-CSM80-05	20 m max. 	5.1.6
			10 m	JZSP-CSM90-10	JZSP-CSM80-10		
			15 m	JZSP-CSM90-15	JZSP-CSM80-15		
20 m			JZSP-CSM90-20	JZSP-CSM80-20			
③ Relay Encoder Cables	Encoder-end (Same for incremental and absolute encoder)	0.3 m	JZSP-CSP13		SERVOPACK end Encoder end 	-	

Name	Servomotor Model	Length	Type		Specifications	Reference
			Standard type	Flexible Type* <sup>1</sup>		
④ Wires and Connectors for Relay Encoder Cable Extensions	Wires and connectors for relay encoder cable extensions are available for assembly by the customer.	30 m	JZSP-CMP19-30		50 m max. 	6.4.6
		40 m	JZSP-CMP19-40			
		50 m	JZSP-CMP19-50			

\* 1. Use flexible cables for movable sections such as robot arms.

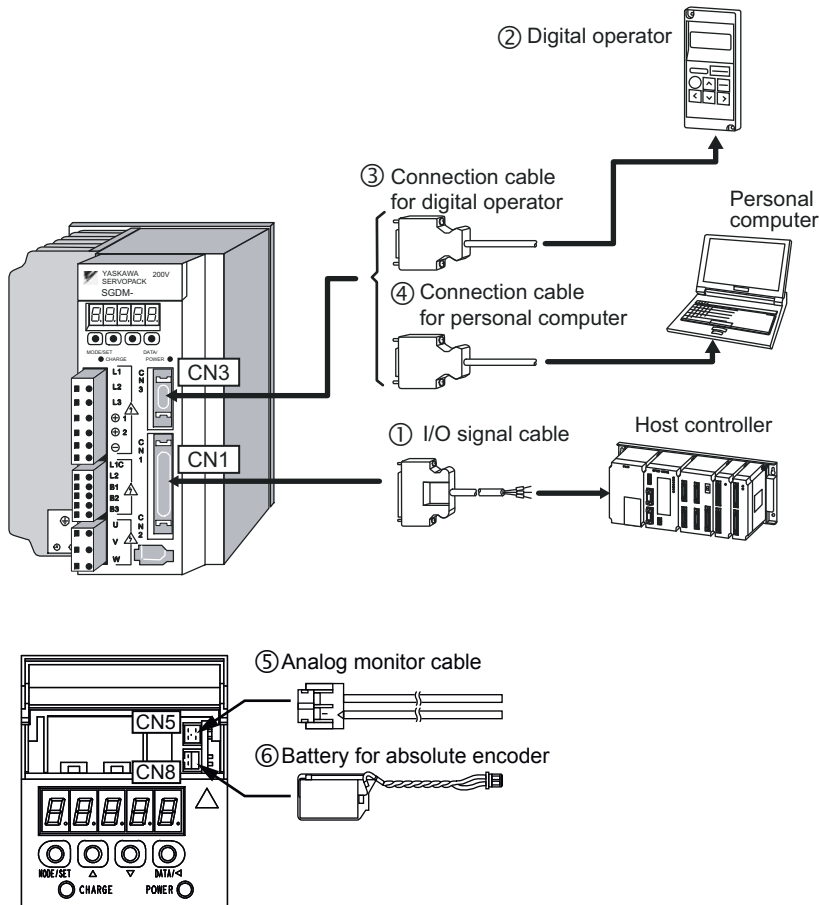
Refer to 5.6 *Flexible Cables*.





\* 2. Contact Japan Aviation Electronics Industry, Ltd.

\* 3. For applicable flanges, refer to 2.1.7 *Model SGMCS*.

## 2.5 Selecting Peripheral Devices

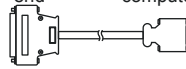
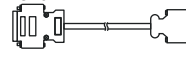
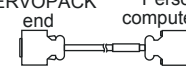
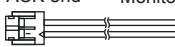
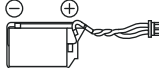
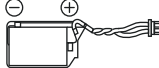
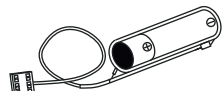
### 2.5.1 Special Options



Name	Length	Type	Specifications	Reference	
① CN1 I/O Signal Cables	Connector terminal block converter unit		JUSP-TA50P 	5.8.4	
	Cable with loose wires at one end	1 m	JZSP-CKI01-1	Loose wires at host controller end 	5.7.1
		2 m	JZSP-CKI01-2		
		3 m	JZSP-CKI01-3		
② Digital Operator		JUSP-OP02A-2	With connection cable (1 m) 	5.8.2	
③ CN3 Connection Cable for Digital Operator *	1 m	JZSP-CMS00-1	SERVOPACK end    Operator end 		
	1.5 m	JZSP-CMS00-2			
	2 m	JZSP-CMS00-3			

\* Order your cable from Yaskawa Controls Co., Ltd. in the following cases.

- When you need a longer cable than the one supplied with the digital operator.
- When you need additional cables.
- When you use the digital operator for the  $\Sigma$ -I series (model: JUSP-OP02A-1).

Name	Length	Type	Specifications	Reference
④ CN3 Connection Cable for Personal Computer	2 m	JZSP-CMS01	D-Sub 25-pin (For PC98) SERVOPACK end      Personal computer end 	5.8.1
	2 m	JZSP-CMS02	D-Sub 9-pin (For DOS/V) SERVOPACK end      Personal computer end 	
	2 m	JZSP-CMS03	Half-pitch 14-pin (For PC 98) SERVOPACK end      Personal computer end 	
⑤ CN5 Analog Monitor Cable	1 m	JZSP-CA01 or DE9404559	SERVOPACK end      Monitor end 	5.8.3
⑥ CN8 Battery for Absolute Encoder		JZSP-BA01	To mount in the SERVOPACK (30 W to 5.0 kW) 	5.8.8
		JZSP-BA01-1	To mount in the SERVOPACK (6.0 kW to 15.0 kW) 	
		ER6VC3	To connect to a host controller (provided by a customer) 3.6 V 2000 mAh, manufactured by Toshiba Battery Co., Ltd. 	

## 2.5.2 Molded-case Circuit Breaker and Fuse Capacity

Main Circuit Power Supply	SERVOPACK Model		Power Supply Capacity per SERVOPACK (kVA)	Current Capacity of the Molded-case Circuit Breaker and the Fuse ( $A_{rms}$ ) <sup>*1, *2</sup> (Refer to 5.8.9)		Inrush Current	
	Capacity (kW)	SGDM-		Main Circuit Power Supply	Control Circuit Power Supply	Main Circuit Power Supply	Control Circuit Power Supply
Single-phase 100 V	0.03	A3BD, A3BDA	0.15	4	0.26	32A	30A
	0.05	A5BD, A5BDA	0.25				
	0.10	01BD, 01BDA	0.40				
	0.20	02BD, 02BDA	0.60	6			
Single-phase 200 V	0.03	A3AD, A3ADA	0.20	4	0.13	63A	60A
	0.05	A5AD, A5ADA	0.25				
	0.10	01AD, 01ADA	0.40				
	0.20	02AD, 02ADA	0.75				
	0.40	04AD, 04ADA	1.2	8			
Three-phase 200 V	0.45	05AD, 05ADA	1.4	4	0.15 <sup>*3</sup>	118A	60A
	0.75	08AD, 08ADA	1.9	7			
	1.0	10AD, 10ADA	2.3	10			
	1.5	15AD, 15ADA	3.2	13			
	2.0	20AD, 20ADA	4.3	17			
	3.0	30AD, 30ADA	5.9	28			
	5.0	50ADA	7.5	32			
	6.0	60ADA	12.5	41	0.27 <sup>*3</sup>	40A	
	7.5	75ADA	15.5	60	0.3 <sup>*3</sup>	80A	
	11.0	1AADA	22.7	81			
15.0	1EADA	30.9					

\* 1. Nominal value at the rated load. The specified derating is required to select an appropriate fuse capacity.

\* 2. Cutoff characteristics (25°C): 300% five seconds min. and inrush current of 20 ms.

\* 3. Make sure the current capacity is accurate. For the SERVOPACK with the cooling fan built-in, an inrush current flows; 200% of the current capacity in the table above for two seconds, when turning ON the control circuit power supply to start the fan working.

Note: Do not use a fast-acting fuse. Because the SERVOPACK's power supply is a capacitor input type, a fast-acting fuse may blow when the power is turned ON.

**IMPORTANT**

The SGDM SERVOPACK does not include a protective grounding circuit. Install a ground-fault protector to protect the system against overload and short-circuit or protective grounding combined with the molded-case circuit breaker.



## 2.5.3 Noise Filters, Magnetic Conductors, Surge Absorbers and DC Reactors

Main Circuit Power Supply	SERVOPACK Model		Recommended Noise Filter (Refer to 5.8.10.)		Magnetic Contactor (Refer to 5.8.11.)	Surge Absorber		DC Reactor (Refer to 5.8.14.)	
	Capacity (kW)	SGDM-	Type	Specifications		Surge Suppressor (Refer to 5.8.12.)	Surge Protector (Refer to 5.8.13.)		
Single-phase 100 V	0.03	A3BD, A3BDA	FN2070-6/07	Single-phase 250 VAC, 6 A	HI-11J (20 A)	TU-25C120	R·C·M -601BQZ-4	-	
	0.05	A5BD, A5BDA							
	0.10	01BD, 01BDA							
	0.20	02BD, 02BDA	FN2070-10/07	Single-phase 250 VAC, 10 A				X5063	
Single-phase 200 V	0.03	A3AD, A3ADA	FN2070-6/07	Single-phase 250 VAC, 6 A	HI-11J (20 A)	TU-25C240	R·C·M -601BQZ-4	-	
	0.05	A5AD, A5ADA							
	0.10	01AD, 01ADA							
	0.20	02AD, 02ADA							
	0.40	04AD, 04ADA	FN2070-10/07	Single-phase 250 VAC, 10 A				X5071	
Three-phase 200 V	0.45	05AD, 05ADA	FN258L-7/07	Three-phase 480 VAC, 7 A	HI-11J (20 A)	TU-25C240	R·C·M -601BUZ-4	X5061	
	0.75	08AD, 08ADA	FN258L-16/07	Three-phase 480 VAC, 16 A	HI-15J (35 A)				
	1.0	10AD, 10ADA							
	1.5	15AD, 15ADA			HI-20J (35 A)				
	2.0	20AD, 20ADA							
	3.0	30AD, 30ADA	FN258L-30/07	Three-phase 480 VAC, 30 A	TU-65C240			X5060	
	5.0	50ADA	FMAC-0934-5010	Three-phase 440 VAC, 50 A				HI-25J (50 A)	X5059
	6.0	60ADA	FMAC-0953-6410	Three-phase 440 VAC, 64 A				HI-35J (65 A)	X5068
	7.5	75ADA						HI-50J (75 A)	
	11.0	1AADA	FS5559-150-35	Three-phase 480 VAC, 150 A				HI-65J (100 A)	-
	15.0	1EADA							

Note: 1. If some SERVOPACKs are wired at the same time, select the proper magnetic contactors according to the total capacity.

2. The following table shows the manufacturers of each device.

Peripheral Device	Manufacturer
Noise Filter	FN, FS type: Schaffner Electronic
	FMAC type: SCHURTER (formerly Timonta AG)
Magnetic Contactor	Yaskawa Controls Co., Ltd.
Surge Absorber	Yaskawa Controls Co., Ltd. (Sold as surge suppressor)
	Okaya Electric Industries Co., Ltd. (Sold as surge protector)
DC Reactor	Yaskawa Controls Co., Ltd.

## 2.5.4 Regenerative Resistors and Brake Power Supply Units

Main Circuit Power Supply	SERVOPACK Model		Regenerative Resistor (Refer to 5.8.6, 5.8.7, and 6.5.)			Brake Power Supply Unit (Refer to 5.8.5.)
	Capacity (kW)	SGDM-	Built-in		Externally connected	
			Resistance ( $\Omega$ )	Capacity (W)		
Single-phase 100 V	0.03	A3BD, A3BDA	-	-	-	24 VDC brake (provided by a customer) * <sup>3</sup>  90 VDC brake • LPDE-1H01 for 100 VAC input • LPSE-2H01 for 200 VAC input
	0.05	A5BD, A5BDA				
	0.10	01BD, 01BDA				
	0.20	02BD, 02BDA				
Single-phase 200 V	0.03	A3AD, A3ADA	-	-	-	
	0.05	A5AD, A5ADA				
	0.10	01AD, 01ADA				
	0.20	02AD, 02ADA				
	0.40	04AD, 04ADA				
Three-phase 200 V	0.45	05AD, 05ADA	50	60	-	
	0.75	08AD, 08ADA				
	1.0	10AD, 10ADA				
	1.5	15AD, 15ADA	30	70		
	2.0	20AD, 20ADA	25	140		
	3.0	30AD, 30ADA	12.5	140		
	5.0	50ADA	8	280		
	6.0	60ADA	(6.25) * <sup>1</sup>	(880) * <sup>1</sup>	JUSP-RA04	
	7.5	75ADA	(3.13) * <sup>2</sup>	(1760) * <sup>2</sup>	JUSP-RA05	
	11.0	1AADA				
15.0	1EADA					

\* 1. For the optional JUSP-RA04 Regenerative Resistor Unit.

\* 2. For the optional JUSP-RA05 Regenerative Resistor Unit.

\* 3. Be careful when connecting the power supply for 24 VDC brake to the local power supply. The local power supply cannot apply the overvoltage such as surge to the output side, and the output side may be damaged even if the voltage is applied. Never fail to use the surge absorber.

Note: 1. If the SERVOPACK cannot process the regenerative power, an external regenerative resistor is required. Refer to 5.8.6 *External Regenerative Resistor*, 5.8.7 *Regenerative Resistor Unit*, and 6.5 *Connecting Regenerative Resistors*.

2. The following table shows the manufacturers of each device.

Peripheral Device	Manufacturer
External Regenerative Resistor	Iwaki Wireless Research Institute
External Regenerative Unit	Yaskawa Electric Corporation
Brake Power Supply Unit	Yaskawa Controls Co., Ltd.

## Servomotor Specifications and Dimensional Drawings

3.1 Ratings and Specifications of SGMAH (3000 min <sup>-1</sup> )	-----	3-4
3.1.1 SGMAH Servomotors Without Gears	-----	3-4
3.1.2 SGMAH Servomotors With Standard Backlash Gears	-----	3-6
3.1.3 SGMAH Servomotors With Low-backlash Gears	-----	3-8
3.2 Ratings and Specifications of SGMPH (3000 min <sup>-1</sup> )	-----	3-10
3.2.1 SGMPH Servomotors Without Gears	-----	3-10
3.2.2 SGMPH Servomotors With Standard Backlash Gears	-----	3-13
3.2.3 SGMPH Servomotors With Low-backlash Gears	-----	3-14
3.3 Ratings and Specifications of SGMGH (1500 min <sup>-1</sup> )	-----	3-15
3.3.1 SGMGH Servomotors (1500 min <sup>-1</sup> ) Without Gears	-----	3-15
3.3.2 SGMGH Servomotors (1500 min <sup>-1</sup> ) With Standard Backlash Gears	-----	3-18
3.3.3 SGMGH Servomotors (1500 min <sup>-1</sup> ) With Low-backlash Gears	-----	3-20
3.4 Ratings and Specifications of SGMGH (1000 min <sup>-1</sup> )	-----	3-22
3.4.1 SGMGH Servomotors (1000 min <sup>-1</sup> ) Without Gears	-----	3-22
3.4.2 SGMGH servomotors (1000 min <sup>-1</sup> ) With Standard Backlash Gears	-----	3-24
3.4.3 SGMGH Servomotors (1000 min <sup>-1</sup> ) With Low-backlash Gears	-----	3-26
3.5 Ratings and Specifications of SGMSH (3000 min <sup>-1</sup> )	-----	3-27
3.5.1 SGMSH Servomotors (3000 min <sup>-1</sup> ) Without Gears	-----	3-27
3.5.2 SGMSH Servomotors (3000 min <sup>-1</sup> ) With Low-backlash Gears	-----	3-29
3.6 Ratings and Specifications of SGMDH (2000 min <sup>-1</sup> )	-----	3-31
3.6.1 SGMDH Servomotors (2000 min <sup>-1</sup> ) With Holding Brakes	-----	3-31
3.7 Ratings and Specifications of SGMCS Servomotors	-----	3-33
3.7.1 Small-capacity Series SGMCS Servomotors	-----	3-33
3.7.2 Middle-capacity Series SGMCS Servomotors	-----	3-36
3.8 Mechanical Specifications of SGMAH, SGMPH, SGMGH, SGMSH, and SGMDH Servomotors	-----	3-38
3.8.1 Precautions on Servomotor Installation	-----	3-38
3.8.2 Mechanical Tolerance	-----	3-39
3.8.3 Direction of Servomotor Rotation	-----	3-39
3.8.4 Impact Resistance	-----	3-40
3.8.5 Vibration Resistance	-----	3-40
3.8.6 Vibration Class	-----	3-40

3.9 Mechanical Specifications of SGMCS Servomotors	3-41
3.9.1 Allowable Loads	3-41
3.9.2 Mechanical Tolerance	3-42
3.9.3 Direction of Servomotor Rotation	3-42
3.9.4 Impact Resistance	3-43
3.9.5 Vibration Resistance	3-43
3.9.6 Vibration Class	3-43
3.9.7 Enclosure	3-43
3.9.8 Heating Conditions	3-43
3.10 Terms and Data for Servomotors With Gears	3-44
3.11 Servomotor Dimensional Drawings	3-46
3.12 Dimensional Drawings of SGMAH Servomotors (3000 min <sup>-1</sup> )	3-47
3.12.1 SGMAH Servomotors (3000 min <sup>-1</sup> ) Without Gears	3-47
3.12.2 SGMAH Servomotors (3000 min <sup>-1</sup> ) Without Gears and With Brakes	3-50
3.12.3 SGMAH Servomotors (3000 min <sup>-1</sup> ) With Standard Backlash Gears	3-53
3.12.4 SGMAH Servomotors (3000 min <sup>-1</sup> ) With Standard Backlash Gears and Brakes	3-57
3.12.5 SGMAH Servomotors (3000 min <sup>-1</sup> ) With Low-backlash Gears	3-62
3.13 Dimensional Drawings of SGMPH Servomotors (3000 min <sup>-1</sup> )	3-66
3.13.1 SGMPH Servomotors (3000 min <sup>-1</sup> ) Without Gears and Brakes	3-66
3.13.2 SGMPH Servomotors (3000 min <sup>-1</sup> ) With Brakes	3-68
3.13.3 SGMPH Servomotors (3000 min <sup>-1</sup> ) With Standard Backlash Gears and Without Brakes	3-70
3.13.4 SGMPH Servomotors (3000 min <sup>-1</sup> ) With Standard Backlash Gears and Brakes	3-73
3.13.5 SGMPH Servomotors (3000 min <sup>-1</sup> ) With Low-backlash Gears	3-76
3.14 Dimensional Drawing of Output Shafts With Oil Seals for SGMAH and SGMPH Servomotors	3-79
3.14.1 SGMAH Servomotors	3-79
3.14.2 SGMPH Servomotors	3-79
3.15 Dimensional Drawings of SGMGH Servomotors (1500 min <sup>-1</sup> )	3-80
3.15.1 SGMGH Servomotors (1500 min <sup>-1</sup> ) Without Gears and Brakes	3-80
3.15.2 SGMGH Servomotors (1500 min <sup>-1</sup> ) 200-V Specifications Without Gears and With Brakes	3-82
3.15.3 SGMGH Servomotors (1500 min <sup>-1</sup> ) With Standard Backlash Gears and Without Brakes (Foot-mounted Type)	3-84
3.15.4 SGMGH Servomotors (1500 min <sup>-1</sup> ) With Standard Backlash Gears and Without Brakes (Flange-mounted Type)	3-89
3.15.5 SGMGH Servomotors (1500 min <sup>-1</sup> ) With Low-backlash Gears and Without Brakes (Flange-mounted Type)	3-95
3.16 Dimensional Drawings of SGMGH Servomotors (1000 min <sup>-1</sup> )	3-98
3.16.1 SGMGH Servomotors (1000 min <sup>-1</sup> ) Without Gears and Brakes	3-98
3.16.2 SGMGH Servomotors (1000 min <sup>-1</sup> ) Without Gears and With Brakes	3-100
3.16.3 SGMGH Servomotors (1000 min <sup>-1</sup> ) With Standard Backlash Gears and Without Brakes (Foot-mounted Type)	3-103
3.16.4 SGMGH Servomotors (1000 min <sup>-1</sup> ) With Standard Backlash Gears and Without Brakes (Flange-mounted Type)	3-108
3.16.5 SGMGH Servomotors (1000 min <sup>-1</sup> ) With Low-backlash Gears and Without Brakes (Flange-mounted Type)	3-113

3.17 Dimensional Drawings of SGMSH Servomotors (3000 min <sup>-1</sup> )	-----	3-116
3.17.1 SGMSH Servomotors (3000 min <sup>-1</sup> ) Without Gears and Without Brakes	-----	3-116
3.17.2 SGMSH Servomotors (3000 min <sup>-1</sup> ) 200-V Specifications Without Gears and With Brakes	-----	3-118
3.17.3 SGMSH Servomotors (3000 min <sup>-1</sup> ) With Low-backlash Gears and Without Brakes (Flange-mounted Type)	-----	3-120
3.18 Dimensional Drawings of SGMDH Servomotors (2000 min <sup>-1</sup> )	-----	3-124
3.18.1 SGMDH Servomotors (2000 min <sup>-1</sup> ) Without Gears and With/Without Brakes	-----	3-124
3.19 Dimensional Drawings of SGMCS Servomotors	-----	3-126
3.19.1 SGMCS Servomotors φ135 Model	-----	3-126
3.19.2 SGMCS Servomotors φ175 Model	-----	3-127
3.19.3 SGMCS Servomotors φ230 Model	-----	3-128
3.19.4 SGMCS Servomotors φ290 Model	-----	3-129
3.19.5 SGMCS Servomotors φ280 Model	-----	3-130
3.19.6 SGMCS Servomotors φ360 Model	-----	3-131
3.20 Shaft End Specifications for SGMGH, SGMSH and SGMDH Servomotors	-----	3-135
3.20.1 SGMGH Servomotors	-----	3-136
3.20.2 SGMSH Servomotors	-----	3-137
3.20.3 SGMDH Servomotors	-----	3-138

## 3.1 Ratings and Specifications of SGMAH (3000 min<sup>-1</sup>)

### 3.1.1 SGMAH Servomotors Without Gears

#### (1) Ratings and Specifications

- Time Rating: Continuous
- Vibration Class: 15  $\mu\text{m}$  or below
- Insulation Resistance: 500 VDC, 10 M  $\Omega$  min.
- Surrounding Air Temperature: 0 to 40°C
- Excitation: Permanent magnet
- Mounting: Flange-mounted
- Thermal Class: B
- Withstand Voltage:  
100 V, 200 V Servomotors: 1500 VAC for one minute
- Enclosure: Totally enclosed, self-cooled, IP55 (except for shaft opening)
- Ambient Humidity: 20% to 80% (no condensation)
- Drive Method: Direct drive

Voltage		100 V				200 V					
Servomotor Model SGMAH-		A3B	A5B	01B	02B	A3A	A5A	01A	02A	04A	08A
Rated Output *1	kW	0.03	0.05	0.1	0.2	0.03	0.05	0.1	0.2	0.4	0.75
Rated Torque *1,*2	N·m	0.0955	0.159	0.318	0.637	0.0955	0.159	0.318	0.637	1.27	2.39
Instantaneous Peak Torque *1	N·m	0.286	0.477	0.955	1.91	0.286	0.477	0.955	1.91	3.82	7.16
Rated Current *1	A <sub>rms</sub>	0.66	0.95	2.4	3.0	0.44	0.64	0.91	2.1	2.8	4.4
Instantaneous Max. Current *1	A <sub>rms</sub>	2.0	2.9	7.2	9.0	1.3	2.0	2.8	6.5	8.5	13.4
Rated Speed *1	min <sup>-1</sup>	3000									
Max. Speed *1	min <sup>-1</sup>	5000									
Torque Constant	N·m/A <sub>rms</sub>	0.157	0.182	0.146	0.234	0.238	0.268	0.378	0.327	0.498	0.590
Rotor Moment of Inertia J	$\times 10^{-4}$ kg·m <sup>2</sup>	0.0166	0.0220	0.0364	0.106	0.0166	0.0220	0.0364	0.106	0.173	0.672
Rated Power Rate *1	kW/s	5.49	11.5	27.8	38.2	5.49	11.5	27.8	38.2	93.7	84.8
Rated Angular Acceleration *1	rad/s <sup>2</sup>	57500	72300	87400	60100	57500	72300	87400	60100	73600	35500

\* 1. These items and torque-motor speed characteristics quoted in combination with an SGDM SERVO-PACK are at an armature winding temperature of 100°C. Other values quoted at 20°C. All values are typical.

\* 2. Rated torques are continuous allowable torque values at 40°C with an 250 × 250 × 6 (mm) aluminum plate (heat sink) attached.

**(2) Holding Brake Moment of Inertia**

The moment of inertia of the servomotor with holding brake is expressed using the following equation.

(The moment of inertia of the servomotor with holding brake) = (rotor moment of inertia) + (brake moment of inertia)

Servomotor Model SGMAH-		A3A A3B	A5A A5B	01A 01B	02A 02B	04A	08A
Holding Brake Moment of Inertia J	$\times 10^{-4} \text{ kg}\cdot\text{m}^2$	0.0085		0.058		0.14	

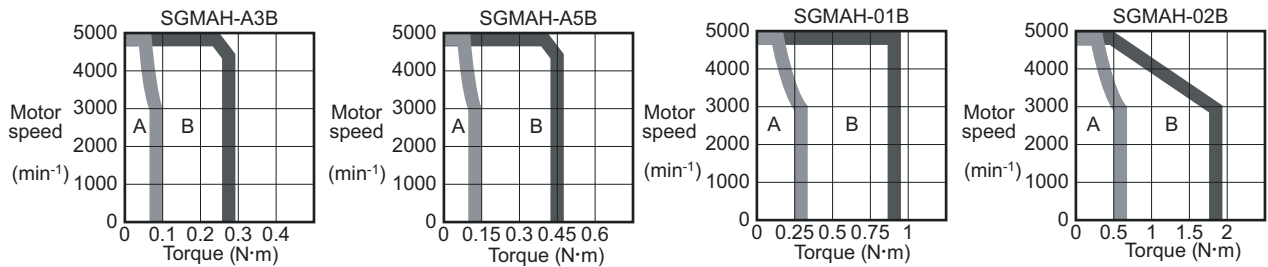
**(3) Derating Rate for Servomotor With Oil Seal**

For a motor with oil seal, use the following derating rate because of the higher friction torque.

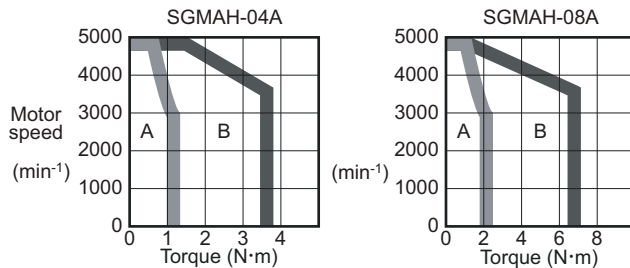
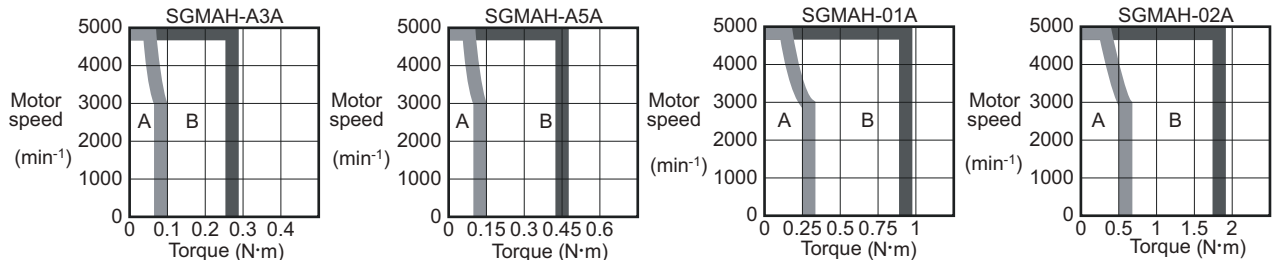
Servomotor Model SGMAH-		A3A A3B	A5A A5B	01A 01B	02A 02B	04A	08A
Derating Rate	(%)	70	80	90	95		

**(4) Torque-motor Speed Characteristics**

**(a) 100-V Class**



**(b) 200-V Class**



**A** : Continuous Duty Zone  
**B** : Intermittent Duty Zone

## (5) Holding Brake Electrical Specifications

Holding Brake Rated Voltage	Servomotor Model	Servomotor Capacity W	Holding Brake Specifications			
			Capacity W	Holding Torque N·m	Coil Resistance $\Omega$ (at 20°C)	Rated Current A (at 20°C)
90 VDC	SGMAH-A3	30	6	0.0955	1350	0.067
	SGMAH-A5	50	6	0.159	1350	0.067
	SGMAH-01	100	6	0.318	1350	0.067
	SGMAH-02	200	7.4	0.637	1095	0.082
	SGMAH-04	400	7.4	1.27	1095	0.082
	SGMAH-08	750	9	2.39	900	0.1
24 VDC	SGMAH-A3	30	6	0.0955	96	0.25
	SGMAH-A5	50	6	0.159	96	0.25
	SGMAH-01	100	6	0.318	96	0.25
	SGMAH-02	200	6.5	0.637	89	0.27
	SGMAH-04	400	6.5	1.27	89	0.27
	SGMAH-08	750	7.7	2.39	75.2	0.32

Note: The holding brake is only used to hold the load and cannot be used to stop the servomotor.

## 3.1.2 SGMAH Servomotors With Standard Backlash Gears

- Time Rating: Continuous
- Vibration Class: 15  $\mu$ m or below
- Insulation Resistance: 500 VDC, 10 M $\Omega$  min.
- Surrounding Air Temperature: 0 to 40°C
- Excitation: Permanent magnet
- Mounting: Flange-mounted
- Gear Mechanism: Planetary gear mechanism
- Thermal Class: B
- Withstand Voltage: 100 V, 200 V Servomotors: 1500 VAC for one minute
- Enclosure: Totally enclosed, self-cooled, IP55 (except for shaft opening)
- Ambient Humidity: 20% to 80% (no condensation)
- Drive Method: Direct drive
- Backlash: 15 to 20 min max.
- Gear Rotation Direction: Same direction as servomotor



Servomotor Model SGMAH-	Servomotor			Gear Output					Moment of Inertia J ×10 <sup>-4</sup> kg·m <sup>2</sup>	
	Out-put W	Rated Speed min <sup>-1</sup>	Rated Torque N·m	Gear Ratio	Rated Torque/ Efficiency* <sup>2</sup> N·m/%	Instantaneous Peak Torque N·m	Rated Speed min <sup>-1</sup>	Max. Speed* <sup>1</sup> min <sup>-1</sup>	Motor + Gears	Gears
A3□□AJ1□	30	3000	0.0955	1/5	0.238/50	1.16	600	800	0.044	0.028
A3□□AJ3□				3/31	0.687/70	2.37	290	387	0.033	0.016
A3□□AJC□				1/21	1.60/80	5.48	143	190	0.023	0.007
A3□□AJ7□				1/33	2.51/80	8.61	91	121	0.021	0.005
A5□□AJ1□	50		0.159	1/5	0.557/70	1.92	600	800	0.050	0.028
A5□□AJ3□				3/31	1.15/70	3.95	290	387	0.040	0.018
A5□□AJC□				1/21	2.67/80	9.07	143	190	0.036	0.014
A5□□AJ7□				1/33	4.20/80	14.3	91	121	0.032	0.010
01□□AJ1□	100		0.318	1/5	1.27/80	4.32	600	800	0.099	0.063
01□□AJ3□				3/31	2.63/80	8.88	290	387	0.054	0.018
01□□AJC□				1/21	5.34/80	18.1	143	190	0.071	0.035
01□□AJ7□				1/33	8.40/80	28.4	91	121	0.057	0.021
02□□AJ1□	200	0.637	1/5	2.55/80	8.60	600	800	0.299	0.193	
02□□AJ3□			3/31	5.27/80	17.8	290	387	0.196	0.090	
02□□AJC□			1/21	10.7/80	36.1	143	190	0.211	0.105	
02□□AJ7□			1/33	16.8/80	56.7	91	121	0.181	0.075	
04A□AJ1□	400	1.27	1/5	5.08/80	17.2	600	800	0.366	0.193	
04A□AJ3□			3/31	10.5/80	35.5	290	387	0.353	0.180	
04A□AJC□			1/21	21.3/80	72.2	143	190	0.403	0.230	
04A□AJ7□			1/33	33.5/80	113.0	91	121	0.338	0.165	
08A□AJ1□	750	2.39	1/5	9.56/80	32	600	800	1.12	0.450	
08A□AJ3□			3/31	19.8/80	66.6	290	387	1.10	0.425	
08A□AJC□			1/21	40.2/80	134	143	190	1.15	0.475	
08A□AJ7□			1/33	63.1/80	213	91	121	0.972	0.300	

\* 1. Maximum motor speed is up to 4000 min<sup>-1</sup> at the shaft.

\* 2. Gear output torque is expressed using the following equation.

$$(\text{Gear output torque}) = (\text{servomotor output torque}) \times \left(\frac{1}{\text{gear ratio}}\right) \times (\text{efficiency})$$

### IMPORTANT

The no-load torque for a servomotor with gears is high immediately after the servomotor starts, and it then decreases and becomes stable a few minutes later. This is a common phenomenon caused by grease being circulated in the gear and not by a faulty gear.

The speed control range of SERVOPACKs in the Σ-II series is 1:5000. When using servomotors at extremely low speeds (for example, 0.02 min<sup>-1</sup> max. at the gear output shaft) or when using servomotors with one pulse feed reference for extended periods and in other situations that are less than optimum, the lubrication of the gear bearing may be insufficient. This may cause deterioration of the bearing or increase the load ratio.

Contact your Yaskawa representative if you are using your servomotor under such conditions.

## 3.1.3 SGMAH Servomotors With Low-backlash Gears

- Time Rating: Continuous
- Vibration Class: 15  $\mu\text{m}$  or below
- Insulation Resistance: 500 VDC, 10 M $\Omega$  min.
- Surrounding Air Temperature: 0 to 40°C
- Excitation: Permanent magnet
- Mounting: Flange-mounted
- Gear Mechanism: Planetary gear mechanism
- Thermal Class: B
- Withstand Voltage: 100V, 200V Servomotors: 1500 VAC for one minute
- Enclosure: Totally enclosed, self-cooled, IP55 (except for shaft opening)
- Ambient Humidity: 20% to 80% (no condensation)
- Drive Method: Direct drive
- Backlash: 3 min max.
- Gear Rotation Direction: Same direction as servomotor

Servomotor Model SGMAH-	Servomotor			Gear Output					Moment of Inertia J $\times 10^{-4} \text{ kg}\cdot\text{m}^2$	
	Output W	Rated Speed $\text{min}^{-1}$	Rated Torque N·m	Gear Ratio	Rated Torque/Efficiency*2 N·m/%	Instantaneous Peak Torque N·m	Rated Speed $\text{min}^{-1}$	Max. Speed*1 $\text{min}^{-1}$	Motor + Gears	Gears
A3□□AH1□	30	3000	0.0955	1/5	0.238/50	1.16	600	800	0.053	0.036
A3□□AH2□				1/9	0.599/70	2.35	333	444	0.029	0.013
A3□□AHC□				1/21	1.60/80	5.48	143	190	0.025	0.008
A3□□AH7□				1/33	2.51/80	8.61	91	121	0.023	0.006
A5□□AH1□	50		0.159	1/5	0.557/70	1.92	600	800	0.058	0.036
A5□□AH2□				1/9	1.00/70	3.89	333	444	0.055	0.033
A5□□AHC□				1/21	2.67/80	9.12	143	190	0.040	0.018
A5□□AH7□				1/33	4.20/80	14.3	91	121	0.035	0.013
01□□AH1□	100		0.318	1/5	1.27/80	4.34	600	800	0.114	0.078
01□□AHB□				1/11	2.80/80	9.55	273	363	0.084	0.048
01□□AHC□				1/21	5.34/80	18.2	143	190	0.079	0.043
01□□AH7□				1/33	8.40/80	28.7*3	91	121	0.069	0.033
02□□AH1□	200		0.637	1/5	2.55/80	8.4	600	800	0.441	0.335
02□□AHB□				1/11	5.96/85	19.3	273	363	0.191	0.085
02□□AHC□				1/21	11.4/85	37.3	143	190	0.216	0.110
02□□AH7□				1/33	17.9/85	58.6*3	91	121	0.171	0.065
04A□AH1□	400	1.27	1/5	5.4/85	17.6	600	800	0.508	0.335	
04A□AHB□			1/11	11.9/85	39.1	273	363	0.368	0.195	
04A□AHC□			1/21	22.7/85	72.2	143	190	0.368	0.195	
04A□AH7□			1/33	33.5/80	115*3	91	121	0.346	0.173	
08A□AH1□	750	2.39	1/5	10.2/85	33.3	600	800	1.25	0.583	
08A□AHB□			1/11	22.3/85	71*3	273	363	1.20	0.528	
08A□AHC□			1/21	42.7/85	140	143	190	1.26	0.593	
08A□AH7□			1/33	67/85	206*3	91	121	0.935	0.263	

\* 1. Maximum motor speed is up to 4000  $\text{min}^{-1}$  at the shaft.

\* 2. Gear output torque is expressed using the following equation.

$$(\text{Gear output torque}) = (\text{servomotor output torque}) \times \left(\frac{1}{\text{gear ratio}}\right) \times (\text{efficiency})$$

\* 3. The instantaneous peak torque values indicated with \*3 are limited by the gear, so use the following servomotor instantaneous peak torque. In this case, set torque limit parameters Pn402 and 403 for the SERVOPACK at 250%.

**IMPORTANT**

The no-load torque for a servomotor with gears is high immediately after the servomotor starts, and it then decreases and becomes stable a few minutes later. This is a common phenomenon caused by grease being circulated in the gear and not by a faulty gear.

The speed control range of SERVOPACKs in the  $\Sigma$ -II series is 1:5000. When using servomotors at extremely low speeds (for example, 0.02 min<sup>-1</sup> max. at the gear output shaft) or when using servomotors with one pulse feed reference for extended periods and in other situations that are less than optimum, the lubrication of the gear bearing may be insufficient. This may cause deterioration of the bearing or increase the load ratio.

Contact your Yaskawa representative if you are using your servomotor under such conditions.

## 3.2 Ratings and Specifications of SGMPH (3000 min<sup>-1</sup>)

### 3.2.1 SGMPH Servomotors Without Gears

#### (1) Ratings and Specifications

- Time Rating: Continuous
- Vibration Class: 15  $\mu\text{m}$  or below
- Insulation Resistance: 500 VDC, 10 M $\Omega$  min.
- Surrounding Air Temperature: 0 to 40°C
- Excitation: Permanent magnet
- Mounting: Flange-mounted
- Thermal Class: B
- Withstand Voltage:  
100 V, 200 V Servomotors: 1500 VAC for one minute
- Enclosure: Totally enclosed, self-cooled, IP55 (except for shaft opening)
- Ambient Humidity: 20% to 80% (no condensation)
- Drive Method: Direct drive

Voltage		100 V		200 V				
Servomotor Model SGMPH-		01B	02B	01A	02A	04A	08A	15A
Rated Output *1	kW	0.1	0.2	0.1	0.2	0.4	0.75	1.5
Rated Torque *1,*2	N·m	0.318	0.637	0.318	0.637	1.27	2.39	4.77
Instantaneous Peak Torque *1	N·m	0.955	1.91	0.955	1.91	3.82	7.16	14.3
Rated Current *1	A <sub>rms</sub>	2.2	2.7	0.89	2.0	2.6	4.1	7.5
Instantaneous Max. Current *1	A <sub>rms</sub>	7.1	8.4	2.8	6.0	8.0	13.9	23.0
Rated Speed *1	min <sup>-1</sup>	3000						
Max. Speed *1	min <sup>-1</sup>	5000						
Torque Constant	N·m/A <sub>rms</sub>	0.160	0.258	0.392	0.349	0.535	0.641	0.687
Rotor Moment of Inertia J	$\times 10^{-4}$ kg·m <sup>2</sup>	0.0491	0.193	0.0491	0.193	0.331	2.10	4.02
Rated Power Rate *1	kW/s	20.6	21.0	20.6	21.0	49.0	27.1	56.7
Rated Angular Acceleration *1	rad/s <sup>2</sup>	64800	33000	64800	33000	38500	11400	11900

\* 1. These items and torque-motor speed characteristics quoted in combination with an SGDM SERVO-PACK are at an armature winding temperature of 100°C. Other values quoted at 20°C. All values are typical.

\* 2. Rated torques are continuous allowable torque values at 40°C with an aluminum plate (heat sink) attached.

Heat sink dimensions:

SGMPH-01, 02, and 04: 250 × 250 × 6 (mm)

SGMPH-08, and 15: 300 × 300 × 12 (mm)

**(2) Holding Brake Moment of Inertia**

The moment of inertia of the servomotor with holding brake is expressed using the following equation.

(The moment of inertia of the servomotor with holding brake) =  
 (rotor moment of inertia) + (brake moment inertia)

Servomotor Model SGMPH-		01A 01B	02A 02B	04A	08A	15A
Holding Brake Moment of Inertia J	×10 <sup>-4</sup> kg·m <sup>2</sup>	0.029	0.109			0.875

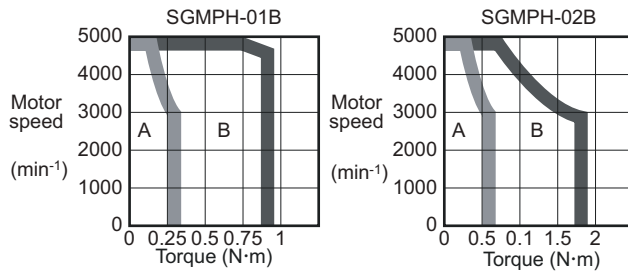
**(3) Derating Rate for Servomotor With Oil Seal**

For a motor with oil seal, use the following derating rate because of the higher friction torque.

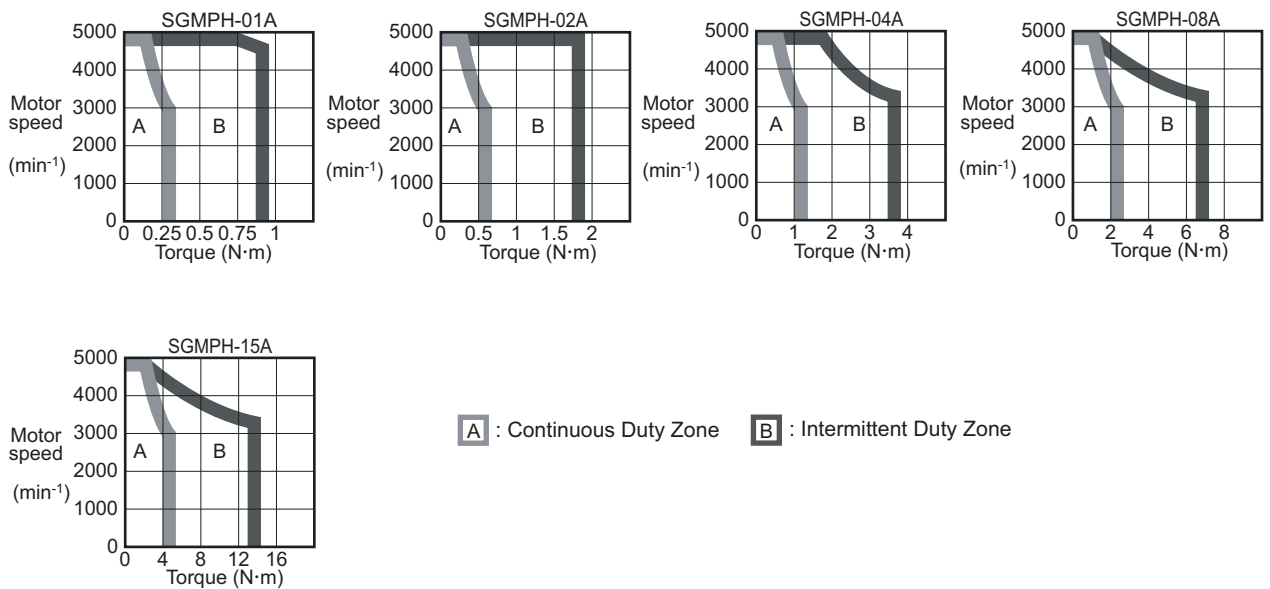
Servomotor Model SGMPH-		01A 01B	02A 02B	04A	08A	15A
Derating Rate	(%)	90			95	

**(4) Torque-motor Speed Characteristics**

**(a) 100-V Class**



**(b) 200-V Class**



## (5) Holding Brake Electrical Specifications

Holding Brake Rated Voltage	Servomotor Model	Servomotor Capacity W	Holding Brake Specifications			
			Capacity W	Holding Torque N·m	Coil Resistance $\Omega$ (at 20 °C)	Rated Current A (at 20 °C)
90 VDC	SGMPH-01	100	8.1	0.318	1000	0.09
	SGMPH-02	200	7.6	0.637	1062	0.085
	SGMPH-04	400	7.2	1.27	1125	0.08
	SGMPH-08	750	7.5	2.39	1083	0.083
	SGMPH-15	1500	10	4.77	832	0.108
24 VDC	SGMPH-01	100	6	0.318	114	0.25
	SGMPH-02	200	5	0.637	115	0.21
	SGMPH-04	400	7.6	1.27	76	0.32
	SGMPH-08	750	7.5	2.39	76.8	0.31
	SGMPH-15	1500	10	4.77	57.6	0.42

Note: The holding brake is only used to hold the load and cannot be used to stop the servomotor.

### 3.2.2 SGMPH Servomotors With Standard Backlash Gears

- Time Rating: Continuous
- Vibration Class: 15 µm or below
- Insulation Resistance: 500 VDC, 10 MΩ min.
- Surrounding Air Temperature: 0 to 40°C
- Excitation: Permanent magnet
- Mounting: Flange-mounted
- Gear Mechanism: Planetary gear mechanism
- Thermal Class: B
- Withstand Voltage: 100V, 200V Servomotors: 1500 VAC for one minute
- Enclosure: Totally enclosed, self-cooled, IP55 (except for shaft opening)
- Ambient Humidity: 20% to 80% (no condensation)
- Drive Method: Direct drive
- Backlash: 15 min max.
- Gear Rotation Direction: Same direction as servomotor

Servomotor Model SGMPH-	Servomotor			Gear Output					Moment of Inertia J ×10 <sup>-4</sup> kg·m <sup>2</sup>	
	Out-put W	Rated Speed min <sup>-1</sup>	Rated Torque N·m	Gear Ratio	Rated Torque/ Efficiency* <sup>2</sup> N·m/%	Instantaneous Peak Torque N·m	Rated Speed min <sup>-1</sup>	Max. Speed* <sup>1</sup> min <sup>-1</sup>	Motor + Gears	Gears
01□□□J1□	100	3000	0.318	1/5	1.27/80	4.32	600	800	0.112	0.063
01□□□J3□				3/31	2.63/80	8.88	290	387	0.067	0.018
01□□□JC□				1/21	5.34/80	18.1	143	190	0.084	0.035
01□□□J7□				1/33	8.40/80	28.4	91	121	0.070	0.021
02□□□J1□	200		0.637	1/5	2.55/80	8.6	600	800	0.386	0.193
02□□□J3□				3/31	5.27/80	17.8	290	387	0.283	0.090
02□□□JC□				1/21	10.7/80	36.1	143	190	0.298	0.105
02□□□J7□				1/33	16.8/80	56.7	91	121	0.268	0.075
04□□□J1□	400		1.27	1/5	5.08/80	17.2	600	800	0.524	0.193
04□□□J3□				3/31	10.5/80	35.5	290	387	0.511	0.180
04□□□JC□				1/21	21.3/80	72.2	143	190	0.561	0.230
04□□□J7□				1/33	33.5/80	113	91	121	0.496	0.165
08□□□J1□	750	2.39	1/5	9.56/80	32	600	800	2.55	0.450	
08□□□J3□			3/31	19.8/80	66.6	290	387	2.53	0.425	
08□□□JC□			1/21	40.2/80	134	143	190	2.58	0.475	
08□□□J7□			1/33	63.1/80	213	91	121	2.4	0.300	
15□□□J1□	1500	4.77	1/5	19.1/80	64.4	600	800	4.97	0.950	
15□□□J3□			1/11	42.5/80	144	269	359	5.27	1.250	
15□□□JC□			1/21	80.1/80	270	143	190	5.33	1.300	
15□□□J7□			1/33	126/80	425	91	121	4.82	0.800	

\* 1. Maximum motor speed is up to 4000 min<sup>-1</sup> at the shaft.

\* 2. Gear output torque is expressed using the following equation.

$$(\text{Gear output torque}) = (\text{servomotor output torque}) \times \left(\frac{1}{\text{gear ratio}}\right) \times (\text{efficiency})$$

#### IMPORTANT

The no-load torque for a servomotor with gears is high immediately after the servomotor starts, and it then decreases and becomes stable a few minutes later. This is a common phenomenon caused by grease being circulated in the gear and not by a faulty gear.

The speed control range of SERVOPACKs in the Σ-II series is 1:5000. When using servomotors at extremely low speeds (for example, 0.02 min<sup>-1</sup> max. at the gear output shaft) or when using servomotors with one pulse feed reference for extended periods and in other situations that are less than optimum, the lubrication of the gear bearing may be insufficient. This may cause deterioration of the bearing or increase the load ratio.

Contact your Yaskawa representative if you are using your servomotor under such conditions.

### 3.2.3 SGMPH Servomotors With Low-backlash Gears

- Time Rating: Continuous
- Vibration Class: 15  $\mu\text{m}$  or below
- Insulation Resistance: 500 VDC, 10 M $\Omega$  min.
- Surrounding Air Temperature: 0 to 40°C
- Excitation: Permanent magnet
- Mounting: Flange-mounted
- Gear Mechanism: Planetary gear mechanism
- Thermal Class: B
- Withstand Voltage: 100V, 200V Servomotors: 1500 VAC for one minute
- Enclosure: Totally enclosed, self-cooled, IP55 (except for shaft opening)
- Ambient Humidity: 20% to 80% (no condensation)
- Drive Method: Direct drive
- Backlash: 3 min max.
- Gear Rotation Direction: Same direction as servomotor

Servomotor Model SGMPH-	Servomotor			Gear Output					Moment of Inertia J $\times 10^{-4} \text{ kg}\cdot\text{m}^2$	
	Output W	Rated Speed $\text{min}^{-1}$	Rated Torque N·m	Gear Ratio	Rated Torque/Efficiency*2 N·m/%	Instantaneous Peak Torque N·m	Rated Speed $\text{min}^{-1}$	Max. Speed*1 $\text{min}^{-1}$	Motor + Gears	Gears
01□□□H1□	100	3000	0.318	1/5	1.27/80	4.34	600	800	0.142	0.093
01□□□HB□				1/11	2.80/80	9.55	273	363	0.097	0.048
01□□□HC□				1/21	5.34/80	18.2	143	190	0.092	0.043
01□□□H7□				1/33	8.40/80	28.7*3	91	121	0.082	0.033
02□□□H1□	200	3000	0.637	1/5	2.55/80	8.4	600	800	0.553	0.360
02□□□HB□				1/11	5.96/85	19.3	273	363	0.281	0.088
02□□□HC□				1/21	11.4/85	37.3	143	190	0.303	0.110
02□□□H7□				1/33	17.9/85	58.6*3	91	121	0.258	0.065
04□□□H1□	400	3000	1.27	1/5	5.4/85	17.6	600	800	0.691	0.360
04□□□HB□				1/11	11.9/85	39.1*3	273	363	0.526	0.195
04□□□HC□				1/21	22.7/85	72.2	143	190	0.526	0.195
04□□□H7□				1/33	33.5/80	115*3	91	121	0.504	0.172
08□□□H1□	750	3000	2.39	1/5	10.2/85	33.3	600	800	2.87	0.765
08□□□HB□				1/11	22.3/85	71*3	273	363	2.62	0.523
08□□□HC□				1/21	42.7/85	140	143	190	2.76	0.663
08□□□H7□				1/33	67/85	206*3	91	121	2.56	0.455
15□□□H1□	1500	3000	4.77	1/5	20.3/85	65.9	600	800	5.56	1.54
15□□□HB□				1/11	44.6/85	148	273	363	6.11	2.09
15□□□GC□				1/21	80.1/80	270	143	190	6.00	1.98
15□□□G7□				1/33	126/80	353*3	91	121	5.14	1.12

\* 1. Maximum motor speed is up to 4000  $\text{min}^{-1}$  at the shaft.

\* 2. Gear output torque is expressed using the following equation.

$$(\text{Gear output torque}) = (\text{servomotor output torque}) \times \left(\frac{1}{\text{gear ratio}}\right) \times (\text{efficiency})$$

\* 3. The instantaneous peak torque values indicated with \*3 are limited by the gear, so use the following servomotor instantaneous peak torque. In this case, set torque limit parameters Pn402 and 403 for the SERVOPACK at 250%.

#### IMPORTANT

The no-load torque for a servomotor with gears is high immediately after the servomotor starts, and it then decreases and becomes stable a few minutes later. This is a common phenomenon caused by grease being circulated in the gear and not by a faulty gear.

The speed control range of SERVOPACKs in the  $\Sigma$ -II series is 1:5000. When using servomotors at extremely low speeds (for example, 0.02  $\text{min}^{-1}$  max. at the gear output shaft) or when using servomotors with one pulse feed reference for extended periods and in other situations that are less than optimum, the lubrication of the gear bearing may be insufficient. This may cause deterioration of the bearing or increase the load ratio.

Contact your Yaskawa representative if you are using your servomotor under the following conditions.

[www.nicsanat.com](http://www.nicsanat.com)

021-87700210





### 3.3 Ratings and Specifications of SGMGH (1500 min<sup>-1</sup>)

#### 3.3.1 SGMGH Servomotors (1500 min<sup>-1</sup>) Without Gears

##### (1) Ratings and Specifications

- Time Rating: Continuous
- Vibration Class: 15 μm or below
- Insulation Resistance: 500 VDC, 10 MΩ min.
- Surrounding Air Temperature: 0 to 40°C
- Excitation: Permanent magnet
- Mounting: Flange-mounted
- Thermal Class: F
- Withstand Voltage: 200 V Servomotors: 1500 VAC for one minute
- Enclosure: Totally enclosed, IP67 self-cooled (except for shaft opening)
- Ambient Humidity: 20% to 80% (no condensation)
- Drive Method: Direct drive

Voltage		200 V									
Servomotor Model SGMGH-		05A□□A	09A□□A	13A□□A	20A□□A	30A□□A	44A□□A	55A□□A	75A□□A	1AA□□A	1EA□□A
Rated Output *1	kW	0.45	0.85	1.3	1.8	2.9	4.4	5.5	7.5	11	15
Rated Torque *1	N·m	2.84	5.39	8.34	11.5	18.6	28.4	35.0	48.0	70.0	95.4
Instantaneous Peak Torque *1	N·m	8.92	13.8	23.3	28.7	45.1	71.1	87.6	119	175	224
Rated Current *1	A <sub>rms</sub>	3.8	7.1	10.7	16.7	23.8	32.8	42.1	54.7	58.6	78.0
Instantaneous Max. Current *1	A <sub>rms</sub>	11	17	28	42	56	84	110	130	140	170
Rated Speed *1	min <sup>-1</sup>	1500									
Max. Speed *1	min <sup>-1</sup>	3000								2000	
Torque Constant	N·m/A <sub>rms</sub>	0.82	0.83	0.84	0.73	0.83	0.91	0.88	0.93	1.25	1.32
Rotor Moment of Inertia J*2	×10 <sup>-4</sup>	7.24	13.9	20.5	31.7	46.0	67.5	89.0	125	281	315
	kg·m <sup>2</sup>	(9.34)	(16.0)	(22.6)	(40.2)	(54.5)	(76.0)	(97.5)	(134)	(300)	(353)
Rated Power Rate *1	kW/s	11.2	20.9	33.8	41.5	75.3	120	137	184	174	289
Rated Angular Acceleration *1	rad/s <sup>2</sup>	3930	3880	4060	3620	4050	4210	3930	3850	2490	3030

\* 1. These items and torque-motor speed characteristics quoted in combination with an SGDM SERVO-PACK are at an armature winding temperature of 20°C.

\* 2. The values in the parentheses are those for motors with holding brakes.

Note: These characteristics are values with the following iron plate (heat sink) attached for cooling.

SGMGH-05, 09, and 13: 400 × 400 × 20 (mm)

SGMGH-20, 30, 44, 55, and 75: 550 × 550 × 30 (mm)

SGMGH-1A and 1E: 650 × 650 × 35 (mm)

### (2) Holding Brake Moment of Inertia

The moment of inertia of the servomotor with holding brake is expressed using the following equation.

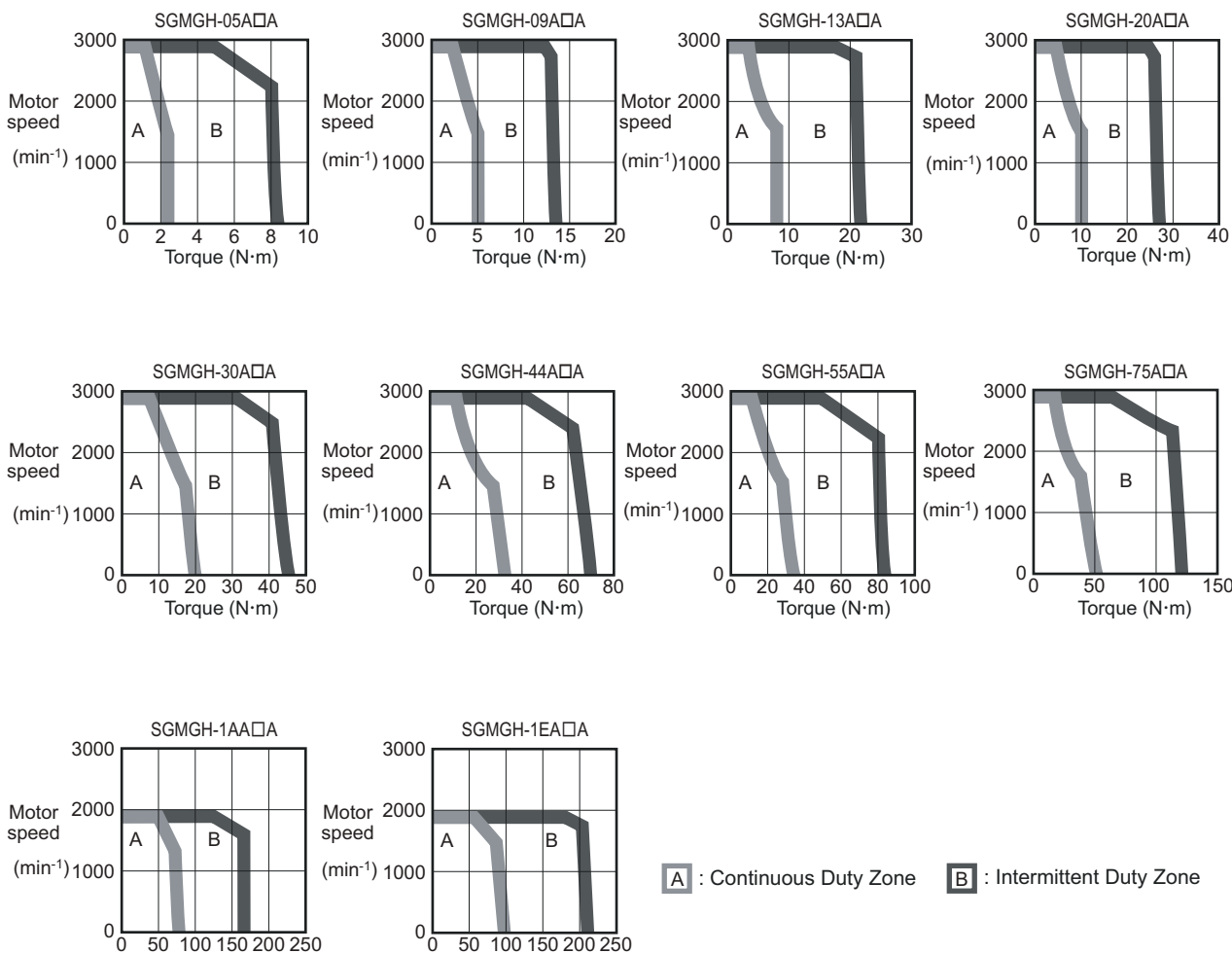
(The moment of inertia of the servomotor with holding brake) =

(rotor moment of inertia) + (brake moment of inertia)

Servomotor Model SGMGH-	05A□□	09A□□	13A□□	20A□□	30A□□	44A□□	55A□□	75A□□
Holding Brake Moment of Inertia J ×10 <sup>-4</sup> kg·m <sup>2</sup>	2.10			8.50				

Servomotor Model SGMGH-	1AA□□	1EA□□
Holding Brake Moment of Inertia J ×10 <sup>-4</sup> kg·m <sup>2</sup>	18.8	37.5

### (3) Torque-motor Speed Characteristics



## (4) Holding Brake Electrical Specifications

Holding Brake Rated Voltage	Servomotor Model	Servomotor Capacity W	Holding Brake Specifications			
			Capacity W	Holding Torque N·m	Coil Resistance $\Omega$ (at 20 °C)	Rated Current A (at 20 °C)
90 VDC	SGMGH-05	450	10.1	4.41	804	0.11
	SGMGH-09	850	10.1	12.7	804	0.11
	SGMGH-13	1300	10.1	12.7	804	0.11
	SGMGH-20	1800	18.5	43.1	438	0.21
	SGMGH-30	2900	18.5	43.1	438	0.21
	SGMGH-44	4400	18.5	43.1	438	0.21
	SGMGH-55	5500	23.5	72.6	327	0.28
	SGMGH-75	7500	23.5	72.6	327	0.28
	SGMGH-1A	11000	32.0	84.3	253	0.36
	SGMGH-1E	15000	35.0	115	231	0.39
24 VDC	SGMGH-05	450	9.85	4.41	58.7	0.41
	SGMGH-09	850	9.85	12.7	58.7	0.41
	SGMGH-13	1300	9.85	12.7	58.7	0.41
	SGMGH-20	1800	18.5	43.1	31.1	0.77
	SGMGH-30	2900	18.5	43.1	31.1	0.77
	SGMGH-44	4400	18.5	43.1	31.1	0.77
	SGMGH-55	5500	23.5	72.6	24.5	0.98
	SGMGH-75	7500	23.5	72.6	24.5	0.98
	SGMGH-1A	11000	32.0	84.3	18.0	1.33
	SGMGH-1E	15000	35.0	115	16.4	1.46

Note: The holding brake is only used to hold the load and cannot be used to stop the servomotor.

3.3.2 SGMGH Servomotors (1500 min<sup>-1</sup>) With Standard Backlash Gears

- Time Rating: Continuous
- Vibration Class: 15 µm or below
- Insulation Resistance: 500 VDC, 10 MΩ min.
- Surrounding Air Temperature: 0 to 40°C
- Excitation: Permanent magnet
- Mounting: Foot and flange-mounted  
Type 6090 to 6125: Omni-directional mounting  
Type 6130 to 6190: Horizontal mounting to shaft
- Gear Mechanism: Cyclo gear mechanism
- Thermal Class: F
- Withstand Voltage:  
200 V Servomotors: 1500 VAC for one minute
- Enclosure: Totally enclosed, IP44 self-cooled (or the equivalent)
- Ambient Humidity: 20% to 80% (no condensation)
- Drive Method: Direct drive
- Backlash: Roughly 0.6 to 2° at the gear output shaft
- Gear Rotation Direction: Reverse direction of servomotor
- Gear Lubricating Method:  
Type 6090 to 6125: Grease  
Type 6130 to 6190: Oil \*

\* For oil lubrication, the motor should be mounted horizontal to the shaft. Contact your Yaskawa representative about lubrication for angle mounting.

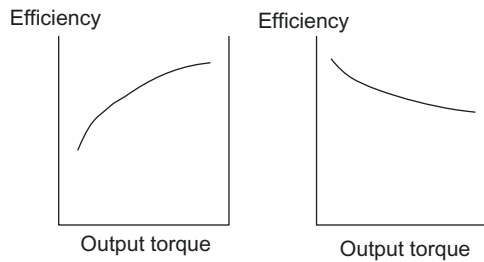
Note: Contact your Yaskawa representative regarding the use of servomotors in cases such as when the servomotor is frequently started and stopped, or when impact is generated on the gear output shaft by acceleration and deceleration.

Servomotor Model SGMGH-	Servomotor			Gear Output					Moment of Inertia J ×10 <sup>-4</sup> kg·m <sup>2</sup>	
	Output kW	Rated Speed min <sup>-1</sup>	Rated Torque N·m	Gear Ratio	Rated Torque/ Efficiency N·m/%	Instantaneous Peak Torque/ Effective N·m/%	Rated Speed min <sup>-1</sup>	Max. Speed min <sup>-1</sup>	Motor + Gears	Gears
05P□A□A6	0.45	1500	2.84	1/6	12.8/75	40.1/75	250	500	9.20	1.96
05P□A□B6				1/11	25.0/80	78.5/80	136	272	8.84	1.6
05P□A□C6				1/21	47.7/80	150/80	71	142	8.39	1.15
05P□A□76				1/29	65.9/80	207/80	51	103	8.41	1.17
09P□A□A6	0.85		5.39	1/6	25.9/80	66.2/80	250	500	15.7	1.78
09P□A□B6				1/11	47.4/80	121/80	136	272	15.3	1.35
09P□A□C6				1/21	90.6/80	232/80	71	142	15.9	1.97
09P□A□76				1/29	125/80	320/80	51	103	16.1	2.19
13P□A□A6	1.3		8.34	1/6	40.0/80	112/80	250	500	22.3	1.84
13P□A□B6				1/11	73.4/80	205/80	136	272	23.4	2.89
13P□A□C6				1/21	140/80	391/80	71	142	22.5	2.03
13P□A□76				1/29	206/85	574/85	51	103	24.2	3.67
20P□A□A6	1.8	11.5	1/6	58.7/85	146/85	250	500	38.0	6.3	
20P□A□B6			1/11	108/85	268/85	136	272	36.5	4.76	
20P□A□C6			1/21	205/85	512/85	71	142	37.6	5.93	
20P□A□76			1/29	283/85	707/85	51	103	37.3	5.58	
30P□A□A6	2.9	18.6	1/6	94.9/85	230/85	250	500	52.3	6.3	
30P□A□B6			1/11	174/85	422/85	136	272	50.8	4.76	
30P□A□C6			1/21	332/85	805/85	71	142	51.9	5.93	
30P□A□76			1/29	458/85	1110/85	51	103	78.5	32.5	
44P□A□A6	4.4	28.4	1/6	145/85	363/85	250	500	79.5	12.0	
44P□A□B6			1/11	266/85	665/85	136	272	75.2	7.73	
44P□A□C6			1/21	507/85	1270/85	71	142	101	33.6	
44P□A□76			1/29	700/85	1750/85	51	103	121	53.3	

(Cont'd)

Servomotor Model SGMGH-	Servomotor			Gear Output					Moment of Inertia J ×10 <sup>-4</sup> kg·m <sup>2</sup>	
	Output kW	Rated Speed min <sup>-1</sup>	Rated Torque N·m	Gear Ratio	Rated Torque/Efficiency N·m/%	Instantaneous Peak Torque/Effective N·m/%	Rated Speed min <sup>-1</sup>	Max. Speed min <sup>-1</sup>	Motor + Gears	Gears
55P□A□A6	5.5	1500	35.0	1/6	179/85	447/85	250	500	103	13.7
55P□A□B6				1/11	327/85	819/85	136	272	98.8	9.78
55P□A□C6				1/21	625/85	1560/85	71	142	157	68.0
55P□A□76				1/29	863/85	2160/85	51	103	155	66.0
75P□A□B6	7.5		48.0	1/11	449/85	1110/85	136	272	175	50.2
75P□A□C6				1/21	857/85	2120/85	71	142	193	68.0
75P□A□76				1/29	1180/85	2930/85	51	103	207	81.5
1AP□A□B6	11		70	1/11	655/85	1640/85	136	182	360	78.8
1AP□A□C6		1/21		1250/85	3120/85	71	95	367	85.8	
1AP□A□76		1/29		1730/85	4310/85	51	69	478	197.0	

- Note: 1. For the shaft center allowable radial load, refer to the servomotor dimensional drawing.  
 2. Output torque and motor speed produce the following trends in efficiency. Values in the table are at the rated motor speed.  
 3. 15-kW servomotors do not equipped with gears.



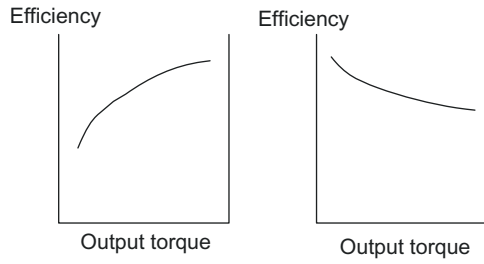
4. The no-load torque for a servomotor with gears is high immediately after the servomotor starts, and it then decreases and becomes stable a few minutes later. This is a common phenomenon caused by grease being circulated in the gear and not by a faulty gear.

### 3.3.3 SGMGH Servomotors (1500 min<sup>-1</sup>) With Low-backlash Gears

- Time Rating: Continuous
- Vibration Class: 15  $\mu$ m or below
- Insulation Resistance: 500 VDC, 10 M $\Omega$  min.
- Surrounding Air Temperature: 0 to 40°C
- Excitation: Permanent magnet
- Mounting: Flange-mounted (Omni-directional mounting)
- Gear Lubricating Method: Grease
- Gear Mechanism: Planetary gear mechanism
- Thermal Class: F
- Withstand Voltage:  
200 V Servomotors: 1500 VAC for one minute
- Enclosure: Totally enclosed, IP44 self-cooled (or the equivalent)
- Ambient Humidity: 20% to 80% (no condensation)
- Drive Method: Direct drive
- Backlash: 0.05° (3 min) at the gear output shaft
- Gear Rotation Direction: Same direction as servomotor

Servomotor Model SGMGH-	Servomotor			Gear Output					Moment of Inertia J $\times 10^{-4}$ kg·m <sup>2</sup>	
	Out-put kW	Rated Speed min <sup>-1</sup>	Rated Torque N·m	Gear Ratio	Rated Torque/ Efficiency * N·m/%	Instantaneous Peak Torque/ Effective N·m/%	Rated Speed min <sup>-1</sup>	Max. Speed min <sup>-1</sup>	Motor + Gears	Gears
05A□AL14	0.45	1500	2.84	1/5	11.4/80	35.7/80	300	600	8.50	1.26
05A□AL24				1/9	20.4/80	64.2/80	167	334	8.18	0.94
05A□AL54				1/20	45.4/80	143/80	75	150	11.9	4.66
05A□AL74				1/29	65.9/80	207/80	51	102	10.0	2.76
05A□AL84				1/45	102/80	321/80	33	66	9.05	1.81
09A□AL14	0.85		5.39	1/5	21.6/80	55.2/80	300	600	15.2	1.30
09A□AL24				1/9	38.8/80	99.4/80	167	334	14.8	0.90
09A□AL54				1/20	86.2/80	221/80	75	150	18.6	4.70
09A□AL74				1/29	125/80	320/80	51	102	16.7	2.80
09A□AL84				1/45	194/80	497/80	33	66	18.4	4.50
13A□AL14	1.3		8.34	1/5	33.4/80	93.2/80	300	600	27.7	7.20
13A□AL24				1/9	60.0/80	168/80	167	334	25.3	4.80
13A□AL54				1/20	133/80	373/80	75	150	27.4	6.90
13A□AL74				1/29	193/80	541/80	51	102	30.9	10.4
13A□AL84				1/45	300/80	839/80	33	66	27.2	6.70
20A□AL14	1.8	11.5	1/5	46.0/80	115/80	300	600	41.9	10.2	
20A□AL24			1/9	82.8/80	207/80	167	334	39.5	7.80	
20A□AL54			1/20	184/80	459/80	75	150	51.9	20.2	
20A□AL74			1/29	267/80	666/80	51	102	45.1	13.4	
30A□AL14	2.9	18.6	1/5	74.4/80	182/80	300	600	66.4	20.4	
30A□AL24			1/9	134/80	328/80	167	334	58.5	12.5	
30A□AL54			1/20	298/80	730/80	75	150	66.2	20.2	
44A□AL14	4.4	28.4	1/5	114/80	284/80	300	600	87.9	20.4	
44A□AL24			1/9	204/80	512/80	167	334	80.0	12.5	

\* Output torque and motor speed produce the following trends in efficiency. Values in the table are at the rated motor speed.



- Note: 1. For the shaft center allowable radial load, refer to the servomotor dimensional drawing.  
 2. The no-load torque for a servomotor with gears is high immediately after the servomotor starts, and it then decreases and becomes stable a few minutes later. This is a common phenomenon caused by grease being circulated in the gear and not by a faulty gear.

## 3.4 Ratings and Specifications of SGMGH (1000 min<sup>-1</sup>)

### 3.4.1 SGMGH Servomotors (1000 min<sup>-1</sup>) Without Gears

#### (1) Ratings and Specifications

- Time Rating: Continuous
- Vibration Class: 15 μm or below
- Insulation Resistance: 500 VDC, 10 MΩ min.
- Surrounding Air Temperature: 0 to 40°C
- Excitation: Permanent magnet
- Mounting: Flange-mounted
- Thermal Class: F
- Withstand Voltage: 1500 VAC for one minute
- Enclosure: Totally enclosed, IP67 self-cooled (except for shaft opening)
- Ambient Humidity: 20% to 80% (no condensation)
- Drive Method: Direct drive

Voltage		200 V							
Servomotor Model SGMGH-		03A□B	06A□B	09A□B	12A□B	20A□B	30A□B	40A□B	55A□B
Rated Output *1	kW	0.3	0.6	0.9	1.2	2.0	3.0	4.0	5.5
Rated Torque *1	N·m	2.84	5.68	8.62	11.5	19.1	28.4	38.2	52.6
Instantaneous Peak Torque *1	N·m	7.17	14.1	19.3	28.0	44.0	63.7	107	136.9
Rated Current *1	A <sub>rms</sub>	3.0	5.7	7.6	11.6	18.5	24.8	30	43.2
Instantaneous Max. Current *1	A <sub>rms</sub>	7.3	13.9	16.6	28	42	56	84	110
Rated Speed *1	min <sup>-1</sup>	1000							
Max. Speed *1	min <sup>-1</sup>	2000							
Torque Constant	N·m/A <sub>rms</sub>	1.03	1.06	1.21	1.03	1.07	1.19	1.34	1.26
Rotor Moment of Inertia J*2	×10 <sup>-4</sup> kg·m <sup>2</sup>	7.24	13.9	20.5	31.7	46.0	67.5	89.0	125
		(9.34)	(16.0)	(22.6)	(40.2)	(54.5)	(76.0)	(97.5)	(134)
Rated Power Rate *1	kW/s <sup>2</sup>	11.2	23.2	36.3	41.5	79.4	120	164	221
Rated Angular Acceleration *1	rad/s <sup>2</sup>	3930	4080	4210	3620	4150	4210	4290	4200

\* 1. These items and torque-motor speed characteristics quoted in combination with an SGDM SERVO-PACK are at an armature winding temperature of 20°C.

\* 2. The values in the parentheses are those for motors with holding brakes.

Note: These characteristics are values with the following iron plate (heat sinks) attached for cooling.

SGMGH-03, 06, and 09: 400 × 400 × 20 (mm)

SGMGH-12, 20, 30, 40 and 55: 550 × 550 × 30 (mm)

#### (2) Holding Brake Moment of Inertia

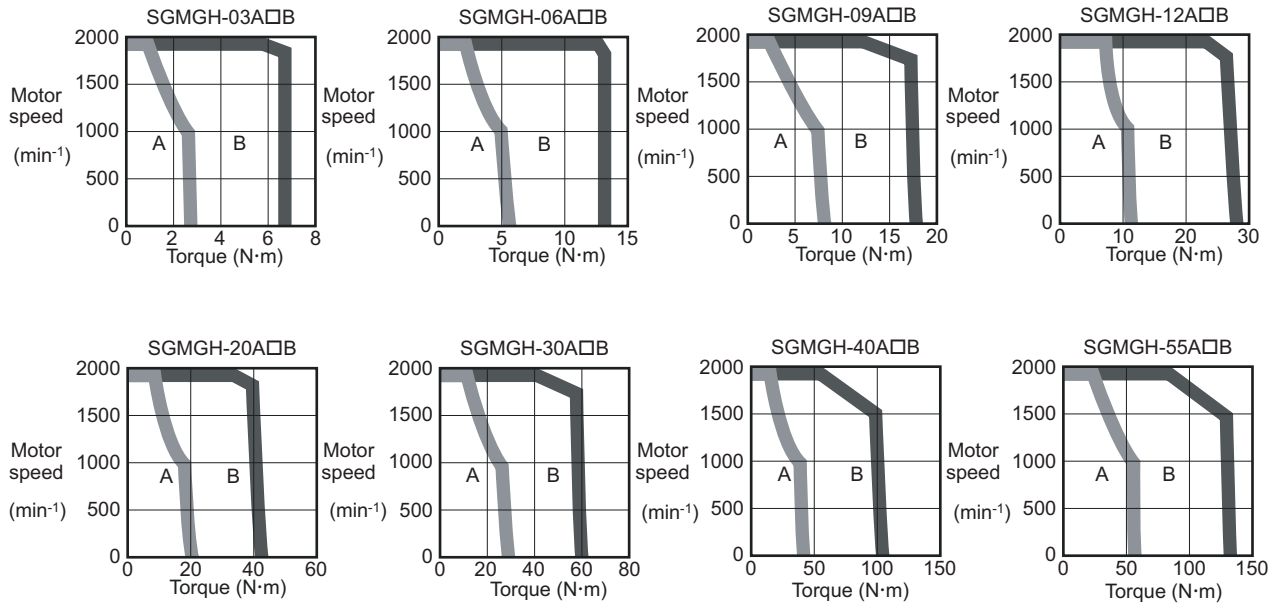
The moment of inertia of the servomotor with holding brake is expressed using the following equation.

(The moment of inertia of the servomotor with holding brake) =  
(rotor moment of inertia) + (brake moment of inertia)

Servomotor Model SGMGH-		03A□B	06A□B	09A□B	12A□B	20A□B	30A□B	40A□B	55A□B
Holding Brake Moment of Inertia J	×10 <sup>-4</sup> kg·m <sup>2</sup>	2.10			8.50				



### (3) Torque-motor Speed Characteristics



**A** : Continuous Duty Zone    **B** : Intermittent Duty Zone

### (4) Holding Brake Electrical Specifications

Holding Brake Rated Voltage	Servomotor Model	Servomotor Capacity W	Holding Brake Specifications			
			Capacity W	Holding Torque N·m	Coil Resistance Ω (at 20 °C)	Rated Current A (at 20 °C)
90 VDC	SGMGH-03	300	10.1	4.41	804	0.11
	SGMGH-06	600	10.1	12.7	804	0.11
	SGMGH-09	900	10.1	12.7	804	0.11
	SGMGH-12	1200	18.5	43.1	438	0.21
	SGMGH-20	2000	18.5	43.1	438	0.21
	SGMGH-30	3000	18.5	43.1	438	0.21
	SGMGH-40	4000	23.5	72.6	327	0.28
	SGMGH-55	5500	23.5	72.6	327	0.28
24 VDC	SGMGH-03	300	9.85	4.41	58.7	0.41
	SGMGH-06	600	9.85	12.7	58.7	0.41
	SGMGH-09	900	9.85	12.7	58.7	0.41
	SGMGH-12	1200	18.5	43.1	31.1	0.77
	SGMGH-20	2000	18.5	43.1	31.1	0.77
	SGMGH-30	3000	18.5	43.1	31.1	0.77
	SGMGH-40	4000	23.5	72.6	22.8	1.05
	SGMGH-55	5500	23.5	72.6	22.8	1.05

Note: The holding brake is only used to hold the load and cannot be used to stop the servomotor.

### 3.4.2 SGMGH servomotors (1000 min<sup>-1</sup>) With Standard Backlash Gears

- Time Rating: Continuous
- Vibration Class: 15 µm or below
- Insulation Resistance: 500 VDC, 10 MΩ min.
- Surrounding Air Temperature: 0 to 40°C
- Mounting: Foot and flange-mounted  
Type 6090 to 6125: Omni-directional mounting  
Type 6130 to 6190: Horizontal mounting to shaft
- Gear Lubricating Method:  
Type 6090 to 6125: Grease  
Type 6130 to 6190: Oil\*
- Excitator: Permanent magnet
- Thermal Class: F
- Withstand Voltage: 1500 VAC for one minute
- Enclosure: Totally enclosed, IP44 self-cooled (or the equivalent)
- Ambient Humidity: 20% to 80% (no condensation)
- Drive Method: Direct drive
- Backlash: Roughly 0.6 to 2° at gear output shaft
- Gear Rotation Direction: Reverse direction of servomotor
- Gear Mechanism: Cyclo gear mechanism

\* For oil lubrication, the motor should be mounted horizontal to the shaft. Contact your Yaskawa representative about lubrication for angle mounting.

Note: Contact your Yaskawa representative regarding the use of servomotors in cases such as when the servomotor is frequently started and stopped, or when impact is generated on the gear output shaft by acceleration and deceleration.

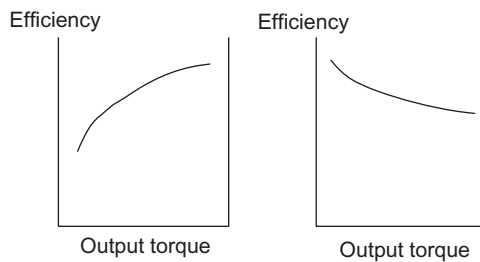
Servomotor Model SGMGH-	Servomotor			Gear Output					Moment of Inertia J ×10 <sup>-4</sup> kg·m <sup>2</sup>	
	Out-put kW	Rated Speed min <sup>-1</sup>	Rated Torque N·m	Gear Ratio	Rated Torque/ Efficiency N·m/%	Instantaneous Peak Torque/ Effective N·m/%	Rated Speed min <sup>-1</sup>	Max. Speed min <sup>-1</sup>	Motor + Gears	Gears
03P□B□A6	0.3	1000	2.84	1/6	12.8/75	32.3/75	166	333	9.20	1.96
03P□B□B6				1/11	25.0/80	63.1/80	90	181	8.84	1.6
03P□B□C6				1/21	47.7/80	120/80	47	95	8.39	1.15
03P□B□76				1/29	65.9/80	166/80	34	68	8.41	1.17
06P□B□A6	0.6		5.68	1/6	27.3/80	67.7/80	166	333	15.7	1.78
06P□B□B6				1/11	50.0/80	124/80	90	181	15.3	1.35
06P□B□C6				1/21	95.4/80	237/80	47	95	15.9	1.97
06P□B□76				1/29	132/80	327/80	34	68	16.1	2.19
09P□B□A6	0.9		8.62	1/6	41.4/80	92.6/80	166	333	22.3	1.84
09P□B□B6				1/11	75.9/80	170/80	90	181	21.9	1.41
09P□B□C6				1/21	145/80	324/80	47	95	22.5	2.03
09P□B□76				1/29	200/80	448/80	34	68	22.7	2.24
12P□B□A6	1.2	11.5	1/6	58.7/85	143/85	166	333	38.0	6.3	
12P□B□B6			1/11	108/85	262/85	90	181	36.5	4.76	
12P□B□C6			1/21	205/85	500/85	47	95	37.6	5.93	
12P□B□76			1/29	283/85	690/85	34	68	37.3	5.58	
20P□B□A6	2.0	19.1	1/6	97.4/85	224/85	166	333	52.3	6.3	
20P□B□B6			1/11	179/85	411/85	90	181	50.8	4.76	
20P□B□C6			1/21	341/85	785/85	47	95	51.9	5.93	
20P□B□76			1/29	471/85	1080/85	34	68	78.5	32.5	
30P□B□A6	3.0	28.4	1/6	145/85	325/85	166	333	79.5	12.0	
30P□B□B6			1/11	266/85	596/85	90	181	75.2	7.73	
30P□B□C6			1/21	507/85	1140/85	47	95	101	33.6	
30P□B□76			1/29	700/85	1570/85	34	68	121	53.3	

(Cont'd)

Servomotor Model SGMGH-	Servomotor			Gear Output					Moment of Inertia J ×10 <sup>-4</sup> kg·m <sup>2</sup>	
	Output kW	Rated Speed min <sup>-1</sup>	Rated Torque N·m	Gear Ratio	Rated Torque/ Efficiency N·m/%	Instantaneous Peak Torque/ Effective N·m/%	Rated Speed min <sup>-1</sup>	Max. Speed min <sup>-1</sup>	Motor + Gears	Gears
40P□B□A6	4.0	1000	38.2	1/6	195/85	546/85	166	333	103	13.7
40P□B□B6				1/11	357/85	1000/85	90	181	98.8	9.78
40P□B□C6				1/21	682/85	1910/85	47	95	157	68.0
40P□B□76				1/29	940/85	2640/85	34	68	155	66.0
55P□B□B6	5.5		52.6	1/11	492/85	1280/85	90	181	175	50.2
55P□B□C6				1/21	940/85	2450/85	47	95	193	68.0
55P□B□76				1/29	1297/85	3380/85	34	68	207	81.5

When using a servomotor with oil lubrication, the servomotor can be installed horizontally onto the shaft. Contact your Yaskawa representative for more information regarding the sliding installation of a servomotor.

Note: 1. Output torque and motor speed produce the following trends in efficiency. Values in the table are at the rated motor speed.



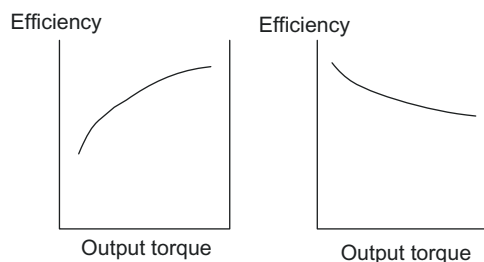
2. The no-load torque for a servomotor with gears is high immediately after the servomotor starts, and it then decreases and becomes stable a few minutes later. This is a common phenomenon caused by grease being circulated in the gear and not by a faulty gear.

3.4.3 SGMGH Servomotors (1000 min<sup>-1</sup>) With Low-backlash Gears3.4.3 SGMGH Servomotors (1000 min<sup>-1</sup>) With Low-backlash Gears

- Time Rating: Continuous
- Vibration Class: 15 μm or below
- Insulation Resistance: 500 VDC, 10 MΩ min.
- Surrounding Air Temperature: 0 to 40°C
- Excitation: Permanent magnet
- Mounting: Flange-mounted (can be mounted in any direction)
- Gear Mechanism: Planetary gear mechanism
- Thermal Class: F
- Withstand Voltage: 1500 VAC for one minute
- Enclosure: Totally enclosed, IP44 self-cooled (or the equivalent)
- Ambient Humidity: 20% to 80% (no condensation)
- Drive Method: Direct drive
- Gear Lubricating Method: Grease
- Backlash: 0.05° (3 min) at the gear output shaft
- Gear Rotation Direction: Same direction as servomotor

Servomotor Model SGMGH-	Servomotor			Gear Output					Moment of Inertia J ×10 <sup>-4</sup> kg·m <sup>2</sup>	
	Out-put kW	Rated Speed min <sup>-1</sup>	Rated Torque N·m	Gear Ratio	Rated Torque/ Efficiency N·m/%	Instantaneous Peak Torque/ Effective N·m/%	Rated Speed min <sup>-1</sup>	Max. Speed min <sup>-1</sup>	Motor + Gears	Gears
03A□BL14	0.3	1000	2.84	1/5	11.4/80	28.7/80	200	400	8.50	1.26
03A□BL24				1/9	20.4/80	51.6/80	111	222	8.18	0.96
03A□BL54				1/20	45.4/80	115/80	50	100	8.64	1.40
03A□BL74				1/29	65.9/80	166/80	34	68	10.0	2.76
03A□BL84				1/45	102/80	258/80	22	44	9.05	1.81
06A□BL14	0.6		5.68	1/5	22.7/80	56.4/80	200	400	15.2	1.30
06A□BL24				1/9	40.9/80	101/80	111	222	14.8	0.90
06A□BL54				1/20	90.9/80	226/80	50	100	18.6	4.70
06A□BL74				1/29	132/80	327/80	34	68	16.7	2.80
06A□BL84				1/45	204/80	508/80	22	44	18.4	4.50
09A□BL14	0.9		8.62	1/5	34.5/80	77.2/80	200	400	23.9	3.40
09A□BL24				1/9	62.1/80	139/80	111	222	25.3	4.80
09A□BL54				1/20	138/80	309/80	50	100	27.4	6.90
09A□BL74				1/29	200/80	448/80	34	68	30.9	10.4
09A□BL84				1/45	310/80	695/80	22	44	27.2	6.70
12A□BL14	1.2	11.5	1/5	46/80	112/80	200	400	41.9	10.2	
12A□BL24			1/9	82.8/80	202/80	111	222	39.5	7.80	
12A□BL54			1/20	184/80	448/80	50	100	51.9	20.2	
12A□BL74			1/29	267/80	650/80	34	68	45.1	13.4	
12A□BL84			1/45	414/80	1008/80	22	44	41.4	9.70	
20A□BL14	2.0	19.1	1/5	76.4/80	176/80	200	400	56.2	10.2	
20A□BL24			1/9	138/80	317/80	111	222	53.8	7.80	
20A□BL54			1/20	306/80	704/80	50	100	66.2	20.2	
30A□BL14	3.0	28.4	1/5	114/80	255/80	200	400	87.9	20.4	
30A□BL24			1/9	204/80	459/80	111	222	80.0	12.5	

Note: 1. Output torque and motor speed produce the following trends in efficiency. Values in the table are at the rated motor speed.



2. The no-load torque for a servomotor with gears is high immediately after the servomotor starts, and it then decreases and becomes stable a few minutes later. This is a common phenomenon caused by grease being circulated in the gear and not by a faulty gear.

## 3.5 Ratings and Specifications of SGMSH (3000 min<sup>-1</sup>)

### 3.5.1 SGMSH Servomotors (3000 min<sup>-1</sup>) Without Gears

#### (1) Ratings and Specifications

- Time Rating: Continuous
- Vibration Class: 15 μm or below
- Insulation Resistance: 500 VDC, 10 MΩ min.
- Surrounding Air Temperature: 0 to 40°C
- Excitation: Permanent magnet
- Mounting: Flange-mounted
- Thermal Class: F
- Withstand Voltage: 200 V Servomotors: 1500 VAC for one minute
- Enclosure: Totally enclosed, IP67 self-cooled (except for shaft opening)
- Ambient Humidity: 20% to 80% (no condensation)
- Drive Method: Direct drive

Voltage		200 V					
Servomotor Model SGMSH-		10A□A	15A□A	20A□A	30A□A	40A□A	50A□A
Rated Output *1	kW	1.0	1.5	2.0	3.0	4.0	5.0
Rated Torque *1	N·m	3.18	4.9	6.36	9.8	12.6	15.8
Instantaneous Peak Torque *1	N·m	9.54	14.7	19.1	29.4	37.8	47.6
Rated Current *1	A <sub>rms</sub>	5.7	9.7	12.7	18.8	25.4	28.6
Instantaneous Max. Current *1	A <sub>rms</sub>	17	28	42	56	77	84
Rated Speed *1	min <sup>-1</sup>	3000					
Max. Speed *1	min <sup>-1</sup>	5000					
Torque Constant	N·m/A <sub>rms</sub>	0.636	0.561	0.544	0.573	0.53	0.60
Rotor Moment of Inertia J *2	×10 <sup>-4</sup> kg·m <sup>2</sup>	1.74	2.47	3.19	7.00	9.60	12.3
		(2.07)	(2.80)	(3.52)	(9.10)	(11.7)	(14.4)
Rated Power Rate *1	kW/s	57.9	97.2	127	137	166	202
Rated Angular Acceleration *1	rad/s <sup>2</sup>	18250	19840	19970	14000	13160	12780

\* 1. These items and torque-motor speed characteristics quoted in combination with an SGDM SERVO-PACK are at an armature winding temperature of 20°C.

\* 2. The values in the parentheses are those for motors with holding brakes.

Note: These characteristics are values with the following aluminum plates (heat sinks) attached for cooling.

SGMSH-10, 15, and 20: 300 × 300 × 12 (mm)

SGMSH-30, 40, and 50: 400 × 400 × 20 (mm)

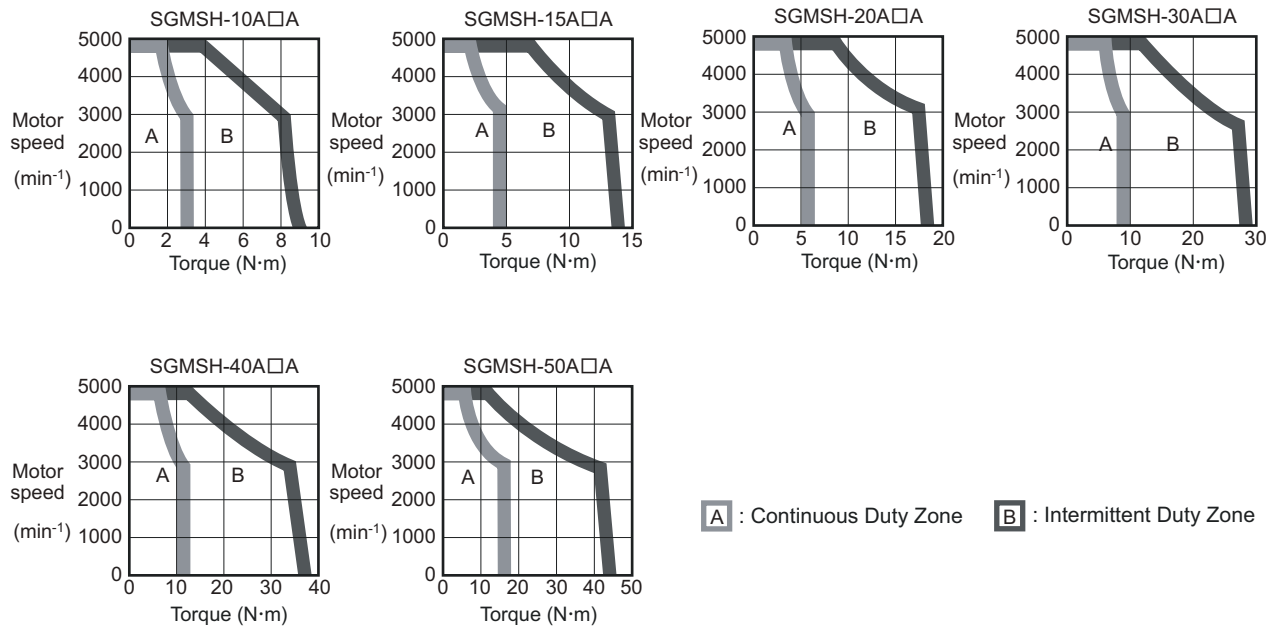
#### (2) Holding Brake Moment of Inertia

The moment of inertia of the servomotor with holding brake is expressed using the following equation.

(The moment of inertia of the servomotor with holding brake) = (rotor moment of inertia) + (brake moment of inertia)

Servomotor SGMSH-		10A□A	15A□A	20A□A	30A□A	40A□A	50A□A
Brake Moment of Inertia	×10 <sup>-4</sup> kg·m <sup>2</sup>	0.325			2.10		

### (3) Torque-motor Speed Characteristics



### (4) Holding Brake Electrical Specifications

Holding Brake Rated Voltage	Servomotor Model	Servomotor Capacity W	Holding Brake Specifications			
			Capacity W	Holding Torque N·m	Coil Resistance $\Omega$ (at 20 °C)	Rated Current A (at 20 °C)
90 VDC	SGMSH-10	1000	12	7.84	675	0.13
	SGMSH-15	1500	12	7.84	675	0.13
	SGMSH-20	2000	12	7.84	675	0.13
	SGMSH-30	3000	10.1	20.0	804	0.11
	SGMSH-40	4000	10.1	20.0	804	0.11
	SGMSH-50	5000	10.1	20.0	804	0.11
24 VDC	SGMSH-10	1000	12	7.84	48	0.5
	SGMSH-15	1500	12	7.84	48	0.5
	SGMSH-20	2000	12	7.84	48	0.5
	SGMSH-30	3000	9.85	20.0	58.7	0.41
	SGMSH-40	4000	9.85	20.0	58.7	0.41
	SGMSH-50	5000	9.85	20.0	58.7	0.41

Note: The holding brake is only used to hold the load and cannot be used to stop the servomotor.

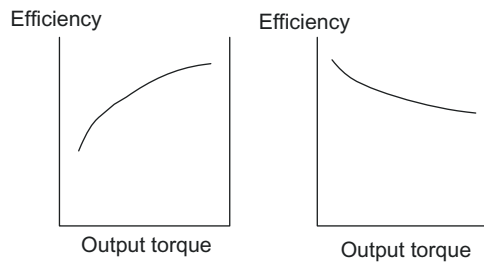
### 3.5.2 SGMSH Servomotors (3000 min<sup>-1</sup>) With Low-backlash Gears

- Time Rating: Continuous
- Vibration Class: 15 µm or below
- Insulation Resistance: 500 VDC, 10 MΩ min.
- Surrounding Air Temperature: 0 to 40°C
- Excitation: Permanent magnet
- Mounting: Flange-mounted (can be mounted in any direction)
- Gear Lubricating Method: Grease
- Gear Mechanism: Planetary gear mechanism
- Thermal Class: F
- Withstand Voltage: 1500 VAC for one minute
- Enclosure: Totally enclosed, IP44 self-cooled (or the equivalent)
- Ambient Humidity: 20% to 80% (no condensation)
- Drive Method: Direct drive
- Backlash: 0.05° (3 min) at the gear output shaft
- Gear Rotation Direction: Same direction as servomotor
- Max. Input Motor Speed for Gears: 4000 min<sup>-1</sup>

Servomotor Model SGMSH-	Servomotor			Gear Output					Moment of Inertia J ×10 <sup>-4</sup> kg·m <sup>2</sup>	
	Output kW	Rated Speed min <sup>-1</sup>	Rated Torque N·m	Gear Ratio	Rated Torque/Efficiency *2 N·m/%	Instantaneous Peak Torque/Effective N·m/%	Rated Speed min <sup>-1</sup>	Max. Speed *1 min <sup>-1</sup>	Motor + Gears	Gears
10A□AL14	1.0	3000	3.18	1/5	12.7/80	38.2/80	600	800	5.18	3.44
10A□AL24				1/9	22.9/80	68.7/80	333	444	4.85	3.11
10A□AL54				1/20	50.9/80	153/80	150	200	8.53	6.79
10A□AL74				1/29	73.8/80	221/80	103	138	6.62	4.88
10A□AL84				1/45	114/80	343/80	66	89	5.66	3.92
15A□AL14	1.5		4.9	1/5	19.6/80	58.8/80	600	800	5.91	3.44
15A□AL24				1/9	35.3/80	106/80	333	444	7.24	4.77
15A□AL54				1/20	78.4/80	235/80	150	200	9.26	6.79
15A□AL74				1/29	114/80	341/80	103	138	7.35	4.88
15A□AL84				1/45	176/80	529/80	66	89	9.05	6.58
20A□AL14	2.0		6.36	1/5	25.6/80	76.4/80	600	800	6.63	3.44
20A□AL24				1/9	45.8/80	138/80	333	444	7.96	4.77
20A□AL54				1/20	102/80	306/80	150	200	9.98	6.79
20A□AL74				1/29	148/80	443/80	103	138	13.5	10.3
20A□AL84				1/45	230/80	688/80	66	89	9.77	6.58
30A□AL14	3.0	9.8	1/5	39.2/80	118/80	600	800	17.2	10.2	
30A□AL24			1/9	70.5/80	212/80	333	444	14.8	7.80	
30A□AL54			1/20	157/80	470/80	150	200	27.2	20.2	
30A□AL74			1/29	227/80	682/80	103	138	20.4	13.4	
30A□AL84			1/45	353/80	1058/80	66	89	16.7	9.70	
40A□AL14	4.0	12.6	1/5	50.4/80	151/80	600	800	19.8	10.2	
40A□AL24			1/9	90.7/80	272/80	333	444	22.1	12.5	
40A□AL54			1/20	202/80	605/80	150	200	29.8	20.2	
40A□AL74			1/29	292/80	877/80	103	138	23.0	13.4	
50A□AL14	5.0	15.8	1/5	63.2/80	190/80	600	800	32.7	20.4	
50A□AL24			1/9	114/80	343/80	333	444	24.8	12.5	
50A□AL54			1/20	253/80	762/80	150	200	32.5	20.2	

3.5.2 SGMSH Servomotors ( $3000 \text{ min}^{-1}$ ) With Low-backlash Gears

- \* 1. The maximum input motor speed of the gears is  $4000 \text{ min}^{-1}$ .
- \* 2. Output torque and motor speed produce the following trends in efficiency. Values in the table are at the rated motor speed.



- Note: 1. For the shaft center allowable radial load, refer to the servomotor dimensional drawing.
2. The no-load torque for a servomotor with gears is high immediately after the servomotor starts, and it then decreases and becomes stable a few minutes later. This is a common phenomenon caused by grease being circulated in the gear and not by a faulty gear.



## 3.6 Ratings and Specifications of SGMDH (2000 min<sup>-1</sup>)

### 3.6.1 SGMDH Servomotors (2000 min<sup>-1</sup>) With Holding Brakes

#### (1) Ratings and Specifications

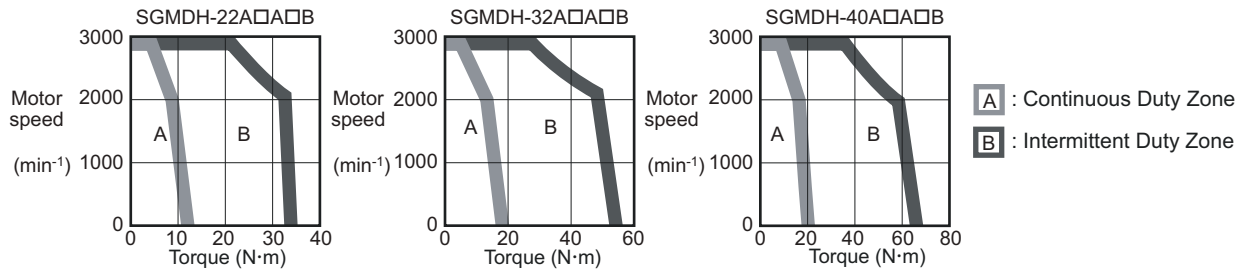
- Time Rating: Continuous
- Vibration Class: 15  $\mu\text{m}$  or below
- Insulation Resistance: 500 VDC, 10 M $\Omega$  min.
- Surrounding Air Temperature: 0 to 40°C
- Excitation: Permanent magnet
- Mounting: Flange-mounted
- Thermal Class: F
- Withstand Voltage: 1500 VAC for one minute
- Enclosure: Totally enclosed, IP67 self-cooled (except for the shaft opening)
- Ambient Humidity: 20% to 80% (no condensation)
- Drive Method: Direct drive
- Holding Brake: 90 VDC, static friction torque 29.4 N·m

Voltage		200 V		
Servomotor Model SGMDH-		22A□A□B	32A□A□B	40A□A□B
Rated Output *1	kW	2.2	3.2	4.0
Rated Torque *1	N·m	10.5	15.3	19.1
Instantaneous Peak Torque *1	N·m	36.7	53.5	66.9
Rated Current *1	A <sub>rms</sub>	15.7	20.9	23.2
Instantaneous Max. Current *1	A <sub>rms</sub>	54	73	77
Rated Speed *1	min <sup>-1</sup>	2000		
Max. Speed *1	min <sup>-1</sup>	3000		
Torque Constant	N·m/A <sub>rms</sub>	0.72	0.78	0.92
Rotor Moment of Inertia J (Including Holding Brake Moment of Inertia)	x10 <sup>-4</sup> kg·m <sup>2</sup>	56.6	74.2	91.8
Rated Power Rate	kWs	19.5	31.5	39.7
Rated Angular Acceleration *1	rad/s <sup>2</sup>	1850	2060	2080

\* 1. These items and torque-motor speed characteristics quoted in combination with an SGDM SERVO-PACK are at an armature winding temperature of 20°C.

Note: These characteristics are values with the following iron plates (heat sinks) attached for cooling.  
650 × 650 × 35 (mm)

### (2) Torque-motor Speed Characteristics



### (3) Holding Brake Electrical Specifications

Holding Brake Rated Voltage	Servomotor Model	Servomotor Capacity W	Holding Brake Specifications			
			Capacity W	Holding Torque N·m	Coil Resistance Ω (at 20 °C)	Rated Current A (at 20 °C)
90VDC	SGMDH-22	2200	16.0	29.4	505	0.18
	SGMDH-32	3200	16.0	29.4	505	0.18
	SGMDH-40	4000	16.0	29.4	505	0.18
24VDC	SGMDH-22	2200	16.0	29.4	36.0	0.67
	SGMDH-32	3200	16.0	29.4	36.0	0.67
	SGMDH-40	4000	16.0	29.4	36.0	0.67

Note: The holding brake is only used to hold the load and cannot be used to stop the servomotor.

## 3.7 Ratings and Specifications of SGMCS Servomotors

### 3.7.1 Small-capacity Series SGMCS Servomotors

#### (1) Ratings and Specifications

- Time Rating: Continuous
- Vibration Class: 15  $\mu\text{m}$  or below
- Insulation Resistance: 500 VDC, 10 M $\Omega$  min.
- Surrounding Air Temperature: 0 to 40°C
- Excitation: Permanent magnet
- Mounting: Flange-mounted
- Thermal Class: A
- Withstand Voltage: 1500 VAC for one minute
- Enclosure: Totally enclosed, IP42 self-cooled (except for shaft opening)
- Ambient Humidity: 20% to 80% (no condensation)
- Drive Method: Direct drive

Ratings and Specifications for Small-capacity Series SGMCS Servomotors

Voltage		200 V					
Servomotor Model SGMCS-		02B□C	05B□C	07B□C	04C□C	10C□C	14C□C
Rated Output* <sup>1</sup>	W	42	105	147	84	209	293
Rated Torque* <sup>1, *2</sup>	N·m	2.0	5.0	7.0	4.0	10.0	14.0
Instantaneous Peak Torque* <sup>1</sup>	N·m	6.0	15.0	21.0	12.0	30.0	42.0
Stall torque* <sup>1</sup>	N·m	2.05	5.15	7.32	4.09	10.1	14.2
Rated Current* <sup>1</sup>	A <sub>rms</sub>	1.8	1.7	1.4	2.2	2.2	2.8
Instantaneous Max. Current* <sup>1</sup>	A <sub>rms</sub>	5.4	5.1	4.1	7.0	7.0	8.3
Rated Speed* <sup>1</sup>	min <sup>-1</sup>	200			200		
Max. Speed* <sup>1</sup>	min <sup>-1</sup>	500			500	400	300
Torque Constant	N·m/A <sub>rms</sub>	1.18	3.17	5.44	2.04	5.05	5.39
Rotor Moment of Inertia	$\times 10^{-4}\text{kg}\cdot\text{m}^2$	28	51	77	77	140	220
Rated Power Rate* <sup>1</sup>	KW/s	1.4	4.9	6.4	2.1	7.1	8.9
Rated Angular Acceleration* <sup>1</sup>	rad/s <sup>2</sup>	710	980	910	520	710	640
Absolute Accuracy	second	±15			±15		
Repeatability	second	±1.3			±1.3		
Applicable SERVOPACK	SGDM-	02			04		

Voltage		200 V				
Servomotor Model SGMCS-		08D□C	17D□C	25D□C	16E□B	35E□B
Rated Output* <sup>1</sup>	W	168	356	393	335	550
Rated Torque* <sup>1, *2</sup>	N·m	8.0	17.0	25.0	16.0	35.0
Instantaneous Peak Torque* <sup>1</sup>	N·m	24.0	51.0	75.0	48.0	105
Stall torque* <sup>1</sup>	N·m	8.23	17.4	25.4	16.5	35.6
Rated Current* <sup>1</sup>	A <sub>rms</sub>	1.9	2.5	2.6	3.3	3.5
Instantaneous Max. Current* <sup>1</sup>	A <sub>rms</sub>	5.6	7.5	8.0	9.4	10.0
Rated Speed* <sup>1</sup>	min <sup>-1</sup>	200		150	200	150
Max. Speed* <sup>1</sup>	min <sup>-1</sup>	500	350	250	500	250
Torque Constant	N·m/A <sub>rms</sub>	5.1	7.8	10.8	5.58	11.1
Rotor Moment of Inertia	$\times 10^{-4}\text{kg}\cdot\text{m}^2$	285	510	750	930	1430
Rated Power Rate* <sup>1</sup>	KW/s	2.2	5.7	8.3	2.75	8.57
Rated Angular Acceleration* <sup>1</sup>	rad/s <sup>2</sup>	280	330	330	170	240
Absolute Accuracy	second	±15			±15	
Repeatability	second	±1.3			±1.3	
Applicable SERVOPACK	SGDM-	04			08	

Note: 1. SGMCS servomotor with holding brake is not available.

2. For the bearings used in SGMCS servomotors, loss varies according to temperature. At low temperatures, the amount of heat loss will be large.

[www.nicsanat.com](http://www.nicsanat.com)  
021-87700210

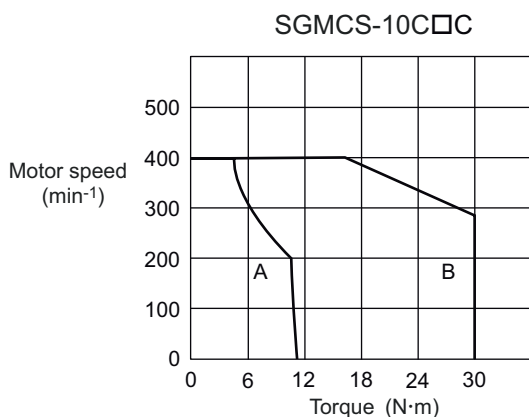
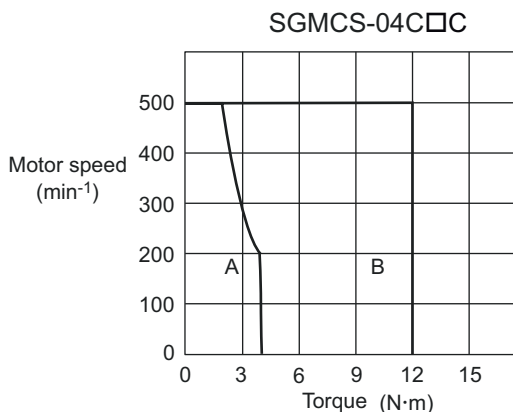
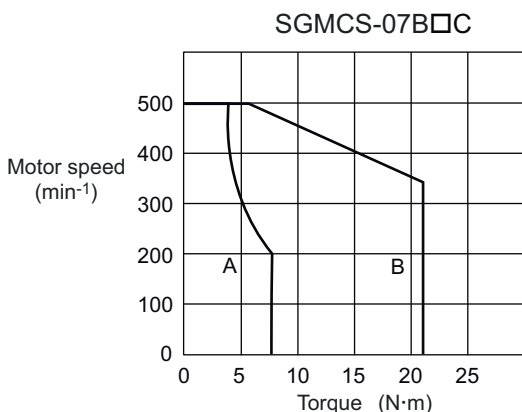
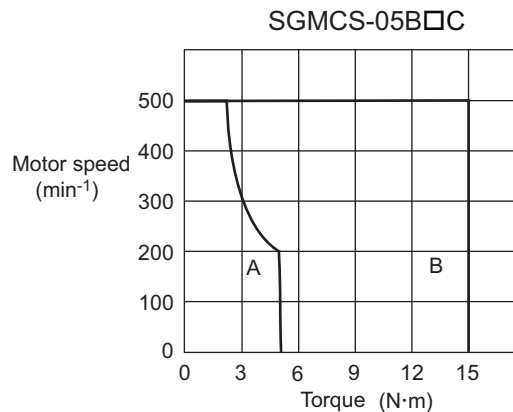
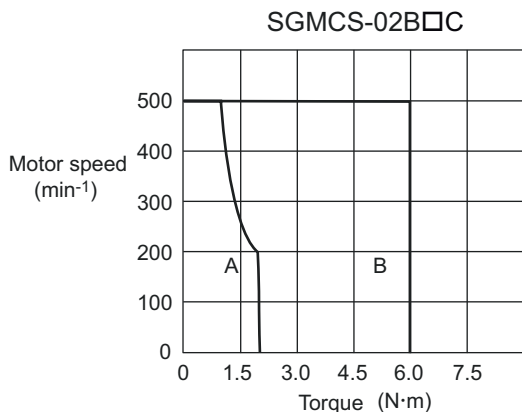


3.7.1 Small-capacity Series SGMCS Servomotors

- \* 1. These items and torque-motor speed characteristics quoted in combination with an SGDM SERVOPACK are at an armature winding temperature of 100°C. Other values quoted at 20°C. All values are typical.
- \* 2. Rated torques are continuous allowable torque values at 40°C with a iron heat sink attached.

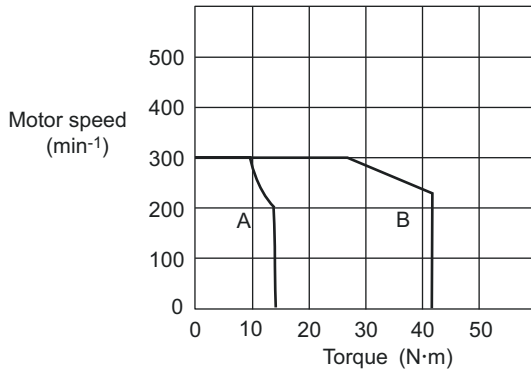
Servomotor Model SGMCS-	□□B	□□C	□□D	□□E
Heat Sink Units: mm	350 × 350 × 12	450 × 450 × 12	550 × 550 × 12	650 × 650 × 12

(2) Torque-motor Speed Characteristics

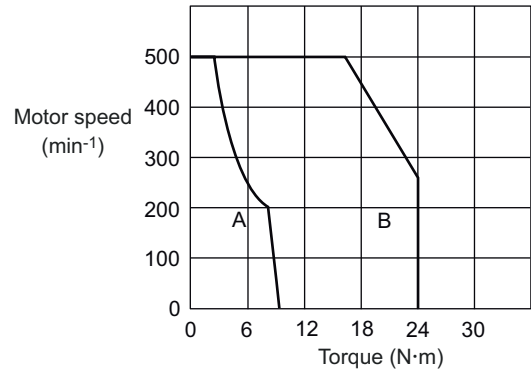


A : Continuous Duty Zone  
 B : Intermittent Duty Zone

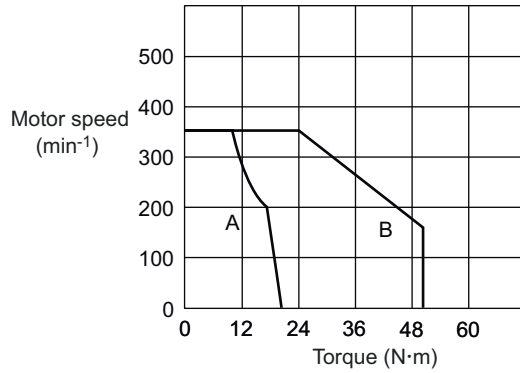
SGMCS-14C□C



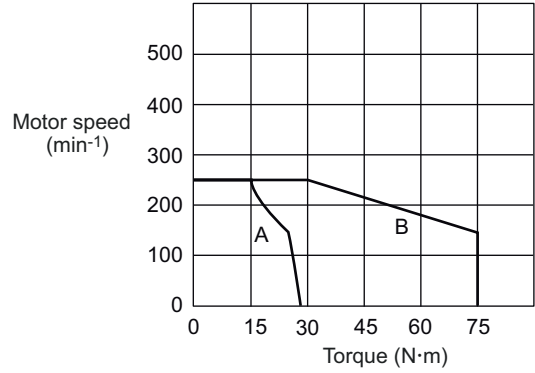
SGMCS-08D□C



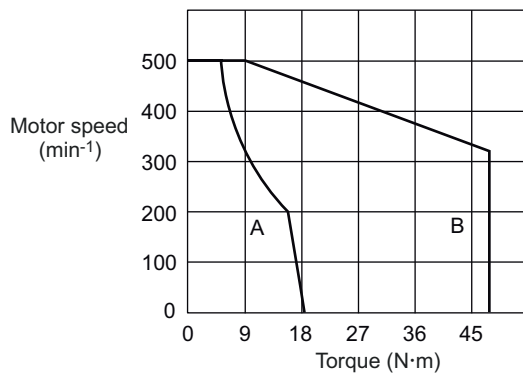
SGMCS-17D□C



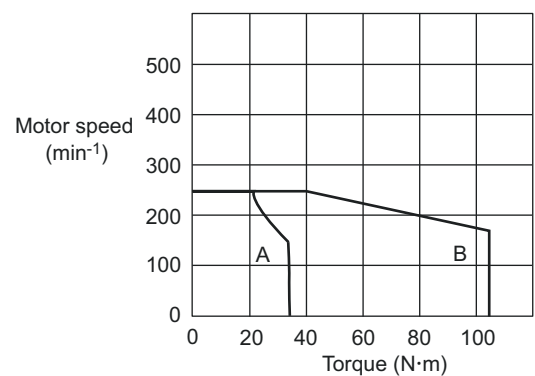
SGMCS-25D□C



SGMCS-16E□B



SGMCS-35E□B



A: Continuous Duty Zone  
B: Intermittent Duty Zone

### 3.7.2 Middle-capacity Series SGMCS Servomotors

#### (1) Ratings and Specifications

- Time Rating: Continuous
- Vibration Class: 15  $\mu\text{m}$  or below
- Insulation Resistance: 500 VDC, 10 M $\Omega$  min.
- Surrounding Air Temperature: 0 to 40°C
- Excitation: Permanent magnet
- Mounting: Flange-mounted
- Thermal Class: F
- Withstand Voltage: 1500 VAC for one minute
- Enclosure: Totally enclosed, IP44 self-cooled (except for shaft opening)
- Ambient Humidity: 20% to 80% (no condensation)
- Drive Method: Direct drive

Ratings and Specifications for Middle-capacity Series SGMCS Servomotors

Voltage		200 V					
Servomotor Model SGMCS-		45M□A	80M□A	1AM□A	80N□A	1EN□A	2ZN□A
Rated Output* <sup>1</sup>	W	707	1260	1730	1260	2360	3140
Rated Torque* <sup>1, *2</sup>	N·m	45	80	110	80	150	200
Instantaneous Peak Torque* <sup>1</sup>	N·m	135	240	330	240	450	600
Stall torque* <sup>1</sup>	N·m	45	80	110	80	150	200
Rated Current* <sup>1</sup>	A <sub>rms</sub>	5.80	9.74	13.4	9.35	17.4	18.9
Instantaneous Max. Current* <sup>1</sup>	A <sub>rms</sub>	17	28	42	28	56	56
Rated Speed* <sup>1</sup>	min <sup>-1</sup>	150	150	150	150	150	150
Max. Speed* <sup>1</sup>	min <sup>-1</sup>	300	300	300	300	250	250
Torque Constant	N·m/A <sub>rms</sub>	8.39	8.91	8.45	9.08	9.05	11.5
Rotor Moment of Inertia	kg·m <sup>2</sup> ×10 <sup>-4</sup>	388	627	865	1360	2470	3060
Rated Power Rate* <sup>1</sup>	KW/s	52.2	102	140	47.1	91.1	131
Rated Angular Acceleration* <sup>1</sup>	rad/s <sup>2</sup>	1160	1280	1270	588	607	654
Applicable SERVOPACK	SGDM-	10	15	20	15	30	30

Note: 1. SGMCS servomotor with holding brake is not available.

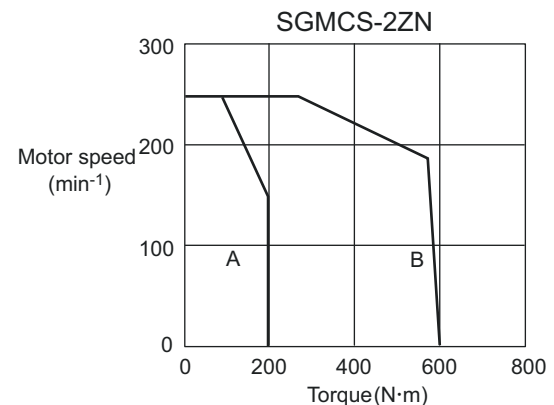
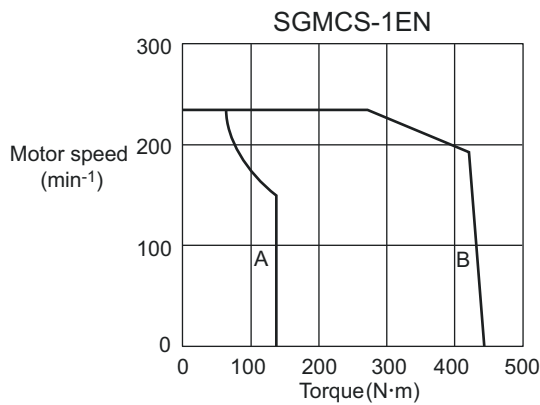
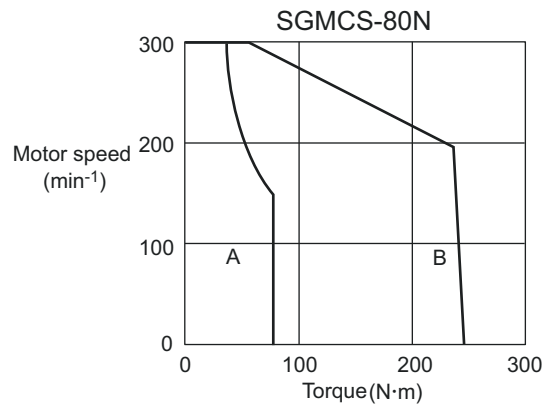
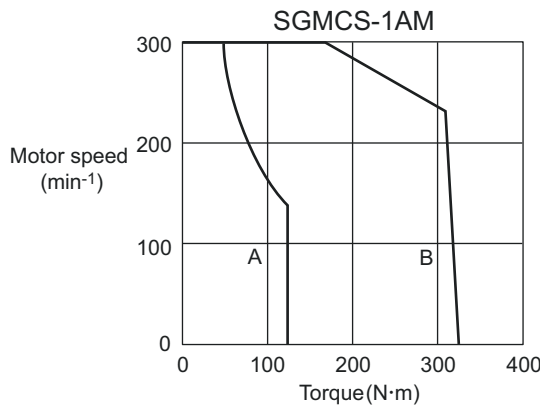
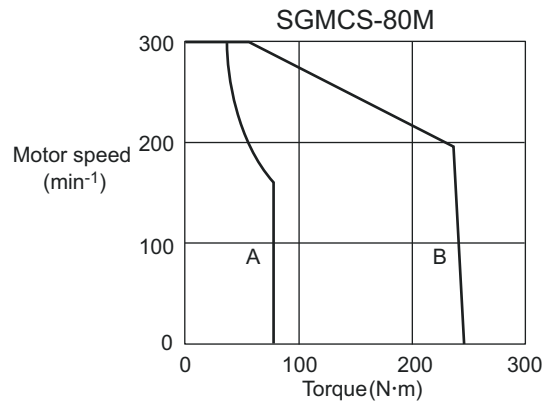
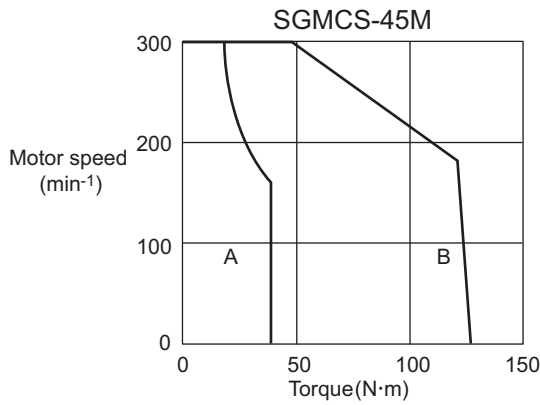
2. For the bearings used in SGMCS servomotors, loss varies according to the bearing temperature. At low temperatures, the amount of heat loss will be large.

\* 1. These items and torque-motor speed characteristics quoted in combination with an SGDM SERVOPACK are at an armature winding temperature of 20°C.

\* 2. Rated torques are continuous allowable torque values at 40°C with an iron heat sink attached.

Servomotor Model SGMCS-	45M,80M,1AM,80N,1EN, and 2ZN
Heat Sink Units: mm	750×750×45

(2) Torque-Motor Speed Characteristics



A: Continuous Duty Zone  
B: Intermittent Duty Zone

### 3.8 Mechanical Specifications of SGMAH, SGMPH, SGMGH, SGMSH, and SGMDH Servomotors

#### 3.8.1 Precautions on Servomotor Installation

Servomotors can be installed either horizontally or vertically.

The service life of the servomotor will be shortened or unexpected problems will occur if the servomotor is installed incorrectly or in an inappropriate location. Always observe the following installation instructions.

<b>CAUTION</b>	
<ul style="list-style-type: none"> <li>Do not connect the servomotor directly to a commercial power line. This will damage the servomotor.</li> <li>The servomotor cannot operate without the proper SERVOPACK.</li> </ul>	<p>Do not connect</p>

Storage Temperature and Humidity	Store the servomotor within the following temperature range if it is stored with the power cable disconnected. Surrounding air temperature during storage: -20 to 60°C Ambient humidity during storage: 80%RH or less (with no condensation)
Installation Site	Servomotors are designed for indoor use. Install the servomotor in environments that satisfy the following conditions. <ul style="list-style-type: none"> <li>Free of corrosive or explosive gases.</li> <li>Well-ventilated and free of dust and moisture.</li> <li>Surrounding air temperature of 0 to 40°C</li> <li>Relative humidity of 20% to 80% with no condensation.</li> <li>Facilitates inspection and cleaning</li> </ul>
Alignment	<div style="display: flex; justify-content: space-between;"> <div style="width: 45%;"> <p><b>Alignment Accuracy</b></p> <p>Measure this distance at four different positions on the circumference. The difference between the maximum and minimum measurements must be 0.03 mm or less. (Turn together with coupling.)</p> </div> <div style="width: 50%;"> <p>Align the shaft of the servomotor with the shaft of the equipment, and then couple the shafts. Install the servomotor so that alignment accuracy falls within the range described on the left. Vibration may occur and damage the bearings and encoders if the shafts are not correctly aligned.</p> <p>Connect the servomotor to a machine in the way that prevents from generating concentric loads, or rotary unbalanced loads on the motor shaft.</p> <div style="text-align: center;"> </div> <p>When installing, do not hit the shafts with a hammer etc., as impacts may result in malfunction.</p> </div> </div>
Orientation	Servomotors can be installed either horizontally or vertically.
Handling Oil and Water	<div style="display: flex; justify-content: space-between;"> <div style="width: 45%;"> <p>This refers to the gap where the shaft protrudes from the end of the motor.</p> </div> <div style="width: 50%;"> <p>If the servomotor is used in a location that is subject to water drops, make sure of the servomotor protective specifications (except for through shaft section).</p> <p>If the servomotor is used in a location that is subject to water or oil mist, use a servomotor with an oil seal to seal the through shaft section.</p> <p>Precautions on Using Servomotor With Oil Seal</p> <ul style="list-style-type: none"> <li>The oil surface must be under the oil seal lip.</li> <li>Use an oil seal in favorably lubricated condition.</li> <li>When using a servomotor with an oil seal, be sure that oil will not stay in the gap between the shaft and the housing.</li> </ul> </div> </div>

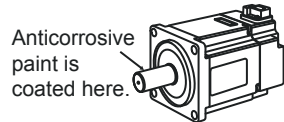




Cable Stress	Make sure there are no bends or tension on the power lines. Especially be careful to wire signal line cables so that they are not subject to stress because the core wires are very thin at only 0.2 to 0.3 mm.
Connectors	Observe the following precautions: <ul style="list-style-type: none"> <li>• Make sure there is no foreign matters such as dust and metal chips in the connector before connecting.</li> <li>• When the connectors are connected to the motor, be sure to connect the end of servomotor main circuit cables before connecting the encoder cable's end. If the encoder cable's end is connected first, the encoder may be damaged because of the voltage differences between FGs.</li> <li>• Make sure of the pin arrangement.</li> <li>• Do not apply shock to resin connectors. Otherwise, they may be damaged.</li> <li>• When handling a servomotor with its cables connected, hold the servomotor or the connectors. Otherwise, the cables will be damaged.</li> <li>• When bending cables are used, wiring must be performed so that excessive stress will not be applied to the connector section. Failure to observe this caution may damage the connector.</li> </ul>

**IMPORTANT**

1. Before starting installation, thoroughly remove the anticorrosive paint that coats the end of the motor shaft.



2. Vibration from improper alignment of shafts will damage the bearings.
3. Do not allow direct impact to be applied to the shafts when installing the coupling as the encoder mounted on the opposite end of the shaft may be damaged.

### 3.8.2 Mechanical Tolerance

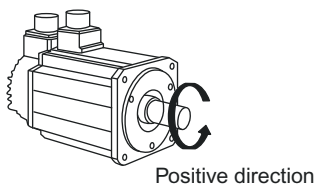
The following table shows tolerances for the servomotor's output shaft and installation area. For more details on tolerances, refer to the dimensional drawing of the individual servomotor.

	Tolerance T. I. R. (Total Indicator Reading)	Reference Diagram
A	Perpendicularity between the flange face and output shaft: 0.04 mm *	
B	Mating concentricity of the flange O.D.: 0.04	
C	Run-out at the end of the shaft 30 W to 5.0 kW: 0.02 mm 5.5 kW to 15.0 kW: 0.04 mm	

\* 11 kW and 15 kW SGM□H Servomotors: 0.06 mm

### 3.8.3 Direction of Servomotor Rotation

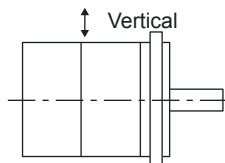
Positive rotation of the servomotor is counterclockwise when viewed from the load. (When the servomotor has a gear, the rotating direction of the gear output shaft will vary depending on the gear type. Check the rotating direction of your servomotor with dimensional drawings etc..)



### 3.8.4 Impact Resistance

Mount the servomotor with the axis horizontal. The servomotor will withstand the following vertical impacts:

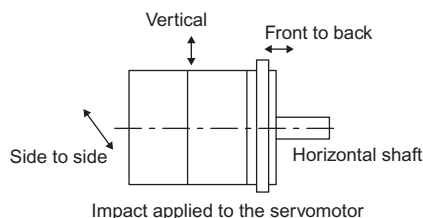
- Impact acceleration: 490 m/s<sup>2</sup>
- Impact occurrences: 2



### 3.8.5 Vibration Resistance

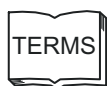
Mount the servomotor with the axis horizontal. The servomotor will withstand the following vibration acceleration in three directions: Vertical, side to side, and front to back. The amount of vibration the servomotor endures will vary depending on the application. Check the vibration acceleration being applied to your servomotor for each application.

Servomotor Model	Vibration Acceleration at Flange
SGMAH, SGMPH	49 m/s <sup>2</sup>
SGMGH, SGMSH, SGMDH	24.5 m/s <sup>2</sup>



### 3.8.6 Vibration Class

The vibration class <sup>1</sup> for the servomotors at rated motor speed is 15 µm or below.



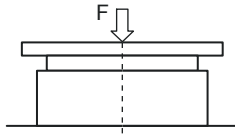
<sup>1</sup> Vibration Class

A vibration class of 15 µm or below indicates a total vibration amplitude of 15 µm m/s<sup>2</sup> during rated rotation.

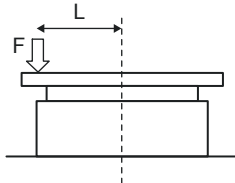
### 3.9 Mechanical Specifications of SGMCS Servomotors

#### 3.9.1 Allowable Loads

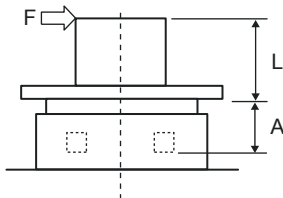
The loads applied while a servomotor is running are roughly classified in the following patterns. Design the machine so that the thrust load and moment load will not exceed the values in the table.



Where F is external force,  
 Thrust load:  $F_a = F + \text{Load mass}$   
 Moment load:  $M=0$



Where F is external force,  
 Thrust load:  $F_a = F + \text{Load mass}$   
 Moment load:  $M = F \times L$



Where F is external force,  
 Thrust load:  $F_a = \text{Load mass}$   
 Moment load:  $M = F \times (L + A)$   
 See the table below for the dimension A of each servomotor model.

Servomotor Model SGMCS-	02B	05B	07B	04C	10C	14C	08D	17D	25D	16E	35E	
Dimensions A Units: mm	0			0			0			0		
Allowable Thrust Load $F_a$	(N)	1500			3300			4000			11000	
Allowable Moment Load M	(N*m)	40	50	64	70	75	90	93	103	135	250	320

Servomotor Model SGMCS-	45M	80M	1AM	80N	1EN	2ZN
Dimensions A Units: mm	33			37.5		
Allowable Thrust Load $F_a$	(N)	9000			16000	
Allowable Moment Load M	(N*m)	180			350	

Note: For small-capacity series SGMCS Servomotors (02B to 35E), set dimensions A to 0 (zero).

### 3.9.2 Mechanical Tolerance

The following table shows tolerances for the servomotor's output shaft and installation area. See the dimensional drawing of the individual servomotor for more details on tolerances.

Mechanical Tolerance

Tolerance T. I. R. (Total Indicator Reading) Units: mm	Servomotor Model SGMCS-										
	02B	05B	07B	04C	10C	14C	08D	17D	25D	16E	35E
① Run-out of the surface of the shaft	0.02		0.02			0.02		0.02		0.02	
② Run-out at the end of the shaft	0.04		0.04			0.04		0.04		0.04	
③ Perpendicularity between the flange face and output shaft	0.07		0.07			0.08		0.08		0.08	
④ Coaxiality of output axis and mounting socket joint	0.07		0.07			0.08		0.08		0.08	
⑤ Right angle between flange face and output shaft	-		-			-		-		-	
⑥ Reference figure	Fig.1		Fig.1			Fig.1		Fig.1		Fig.1	

Tolerance T. I. R. (Total Indicator Reading) Units: mm	Servomotor Model SGMCS-					
	45M	80M	1AM	80N	1EN	2ZN
① Run-out of the surface of the shaft	0.02		0.02			
② Run-out at the end of the shaft	0.04		0.04			
③ Perpendicularity between the flange face and output shaft	-		-			
④ Coaxiality of output axis and mounting socket joint	0.08		0.08			
⑤ Right angle between flange face and output shaft	0.08		0.08			
⑥ Reference figure	Fig.2		Fig.2			

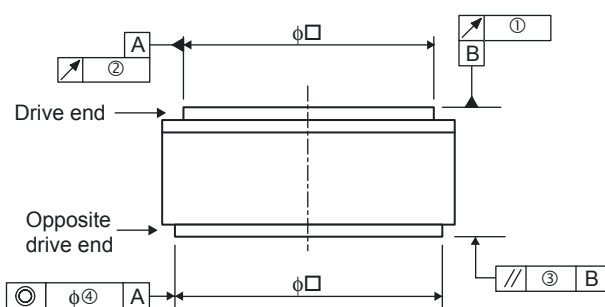


Fig.1

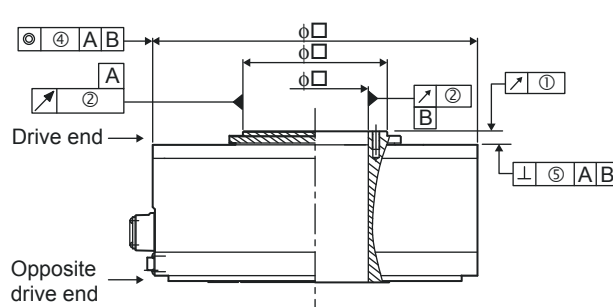
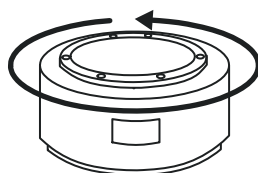


Fig.2

### 3.9.3 Direction of Servomotor Rotation

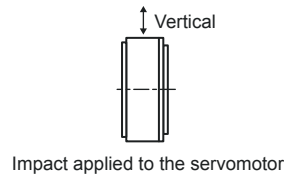
Positive rotation of the servomotor is counterclockwise when viewed from the load.



### 3.9.4 Impact Resistance

Mount the servomotor with the axis horizontal. The servomotor will withstand the following vertical impacts:

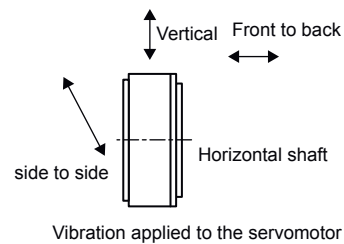
- Impact Acceleration:  $490 \text{ m/s}^2$
- Number of Impacts: 2



### 3.9.5 Vibration Resistance

Mount the servomotor with the axis horizontal. The servomotor will withstand the following vibration acceleration in three directions: Vertical, side to side, and front to back.

Motor Type	Vibration Acceleration at Flange
Small-capacity Series	$49 \text{ m/s}^2$
Middle-capacity Series	$24.5 \text{ m/s}^2$



### 3.9.6 Vibration Class

The vibration class at rated motor speed is as follows:

- Vibration Class:  $15 \mu\text{m}$  or below

### 3.9.7 Enclosure

Motor Type	Small-capacity Series	Middle-capacity Series
Protective Specification	IP42 *	IP44

\* Excluding the shaft opening.

### 3.9.8 Heating Conditions

Note that when the flange face is smaller, the continuous allowable torque is reduced.

Make sure there is no confined heat around the servomotors. (Do not use servomotors in a closed, unventilated space.)

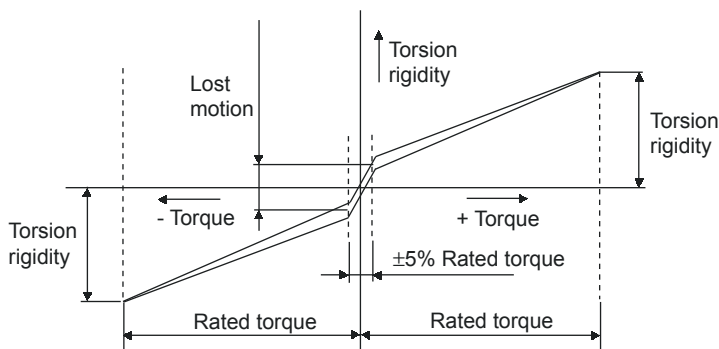
### 3.10 Terms and Data for Servomotors With Gears

#### (1) Terms for Servomotors With Standard Backlash Gears and Low-backlash Gears

Terminology for Servomotors with Gears

Item	Measurement Method/Definition	Typical Value	
		Standard Backlash Gears	Low-backlash Gears
Rated Input Motor Speed ( $\text{min}^{-1}$ )	–	3000	3000
Max. Allowable Input Motor Speed ( $\text{min}^{-1}$ )	–	4000	4000
Rated Torque (N·m)	The rated output torque of the motor is the gear input torque. The rated torque is this value multiplied by the inverse of the gear ratio and efficiency.	–	–
Lost Motion (arc-min)*	Angular difference in the screw with a $\pm 5\%$ rated torque load. (Maximum value at any four positions during output.)	20 max.	3 max.
Torsion Rigidity (arc-min)*	Highest torsion angle value on one side with a $\pm$ rated torque load	27 max.	10 max.
Angular Transmission Error Accuracy (arc-min)	Difference in absolute accuracy for one rotation under load and no-load conditions during output.	15 max.	6 max.

\* See the following graph for lost motion and torsion rigidity.

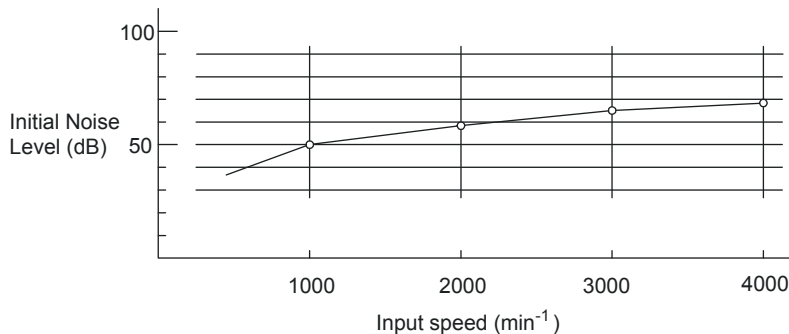


#### (2) Noise Data

The following noise data for a servomotor with a gear is for reference only and may slightly vary with the capacity and gear ratio of the servomotor.

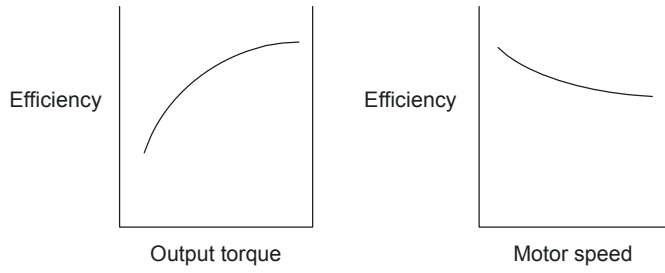
Measurement Conditions:

- Scale A: 50 cm
- Ground Noise: 28 dB



### (3) Efficiency

The output torque and motor speed produce the following trends in efficiency. The values in the tables, Ratings and Specifications of SGM□H Servomotors with Gears, are at the rated motor torque and rated motor speed.



### 3.11 Servomotor Dimensional Drawings

Dimensional drawings for the SGM□□ servomotors are broadly grouped using the following categories: With or without gears or brakes.

Series	Motor Capacity	Groups of Servomotor Dimensional Drawings	Reference
SGMAH (3000 min <sup>-1</sup> )	100 VAC: 0.03, 0.05, 0.1, 0.2 kW 200 VAC: 0.03, 0.05, 0.1, 0.2, 0.4, 0.75 kW	Without gears and brakes	3.12.1
		With brakes	3.12.2
		With standard backlash gears	3.12.3
		With standard backlash gears and brakes	3.12.4
		With low-backlash gears	3.12.5
SGMPH (3000 min <sup>-1</sup> )	100 VAC 0.1, 0.2 kW 200 VAC 0.1, 0.2, 0.4, 0.75, 1.5 kW	Without gears and brakes	3.13.1
		With brakes	3.13.2
		With standard backlash gears	3.13.3
		With standard backlash gears and brakes	3.13.4
		With low-backlash gears	3.13.5
SGMGH (1500 min <sup>-1</sup> )	200 VAC: 0.45, 0.85, 1.3, 1.8, 2.9, 4.4, 5.5, 7.5, 11.0, 15.0 kW	Without gears and brakes	3.15.1
		With brakes	3.15.2
		Foot-mounted type with standard backlash gears	3.15.3
		Flange-type with standard backlash gears	3.15.4
		Flange-type with low-backlash gears	3.15.5
SGMGH (1000 min <sup>-1</sup> )	200 VAC: 0.3, 0.6, 0.9, 1.2, 2.0, 3.0, 4.0, 5.5 kW	Without gears and brakes	3.16.1
		With brakes	3.16.2
		Foot-mounted type with standard backlash gears	3.16.3
		Flange-type with standard backlash gears	3.16.4
		Flange-type with low-backlash gears	3.16.5
SGMSH (3000 min <sup>-1</sup> )	200 VAC: 1.0, 1.5, 2.0, 3.0, 4.0, 5.0 kW	Without gears and brakes	3.17.1
		With brakes	3.17.2
		Flange-type with low-backlash gears	3.17.3
SGMDH (2000 min <sup>-1</sup> )	200 VAC: 2.2, 3.2, 4.0 kW	Without gears and brakes	3.18.1
		With brakes	3.18.1
SGMCS	200 VAC (small-capacity): 2, 5, 7, 4, 10, 14, 8, 17, 25, 16, 35 N·m 200 VAC (middle-capacity): 45, 80, 110, 150, 200 N·m	φ135 model	3.19.1
		φ175 model	3.19.2
		φ230 model	3.19.3
		φ290 model	3.19.4
		φ280 model	3.19.5
		φ360 model	3.19.6

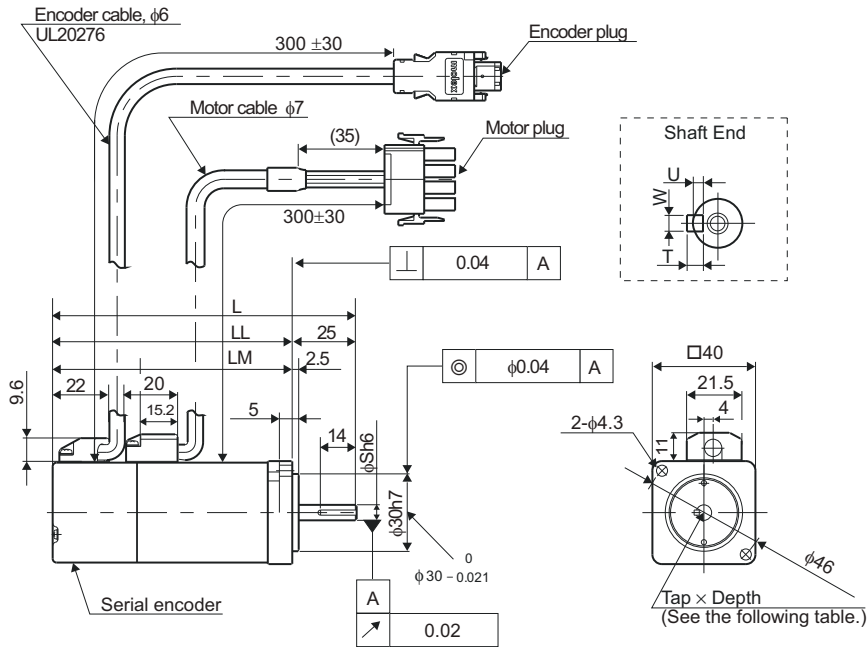
Note: Servomotors SGMDH (2000min<sup>-1</sup>) and SGMCS (direct-drive series) do not have any models provided with gears.



### 3.12 Dimensional Drawings of SGMAH Servomotors (3000 min<sup>-1</sup>)

#### 3.12.1 SGMAH Servomotors (3000 min<sup>-1</sup>) Without Gears

(1) 30 W, 50 W, 100 W



Units: mm

Model SGMAH-	L	LL	LM	S	Tap × Depth	U	W	T	Approx. Mass kg	Allowable Radial Load N	Allowable Thrust Load N
A3□□A21	94.5	69.5	36.5	6	No tap	No key			0.3	68	54
A3□□A41					1.2	2	2				
A3□□A61					M2.5 × 5L						
A5□□A21	102.0	77.0	44.0	6	No tap	No key			0.4	68	54
A5□□A41					1.2	2	2				
A5□□A61					M2.5 × 5L						
01□□A21	119.5	94.5	61.5	8	No tap	No key			0.5	78	54
01□□A41					1.8	3	3				
01□□A61					M3 × 6L						



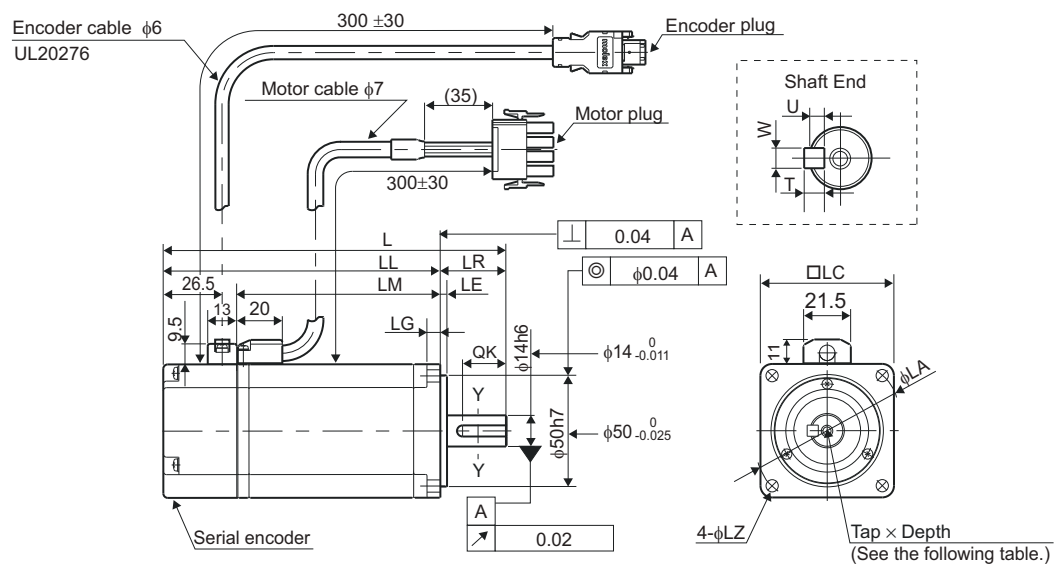
- The dimensions for L and LL of a servomotor incorporating an encoder with super-capacitor (model: SGMAH-□□□4) are as shown below.  
SGMAH-A3, A5, and 01: L-dimension +12 mm, LL-dimension +12 mm
- The working point of the SGMAH servomotor radial load is at the position of minus 5 mm from the shaft end.

• Dimensional Tolerances

Units: mm

Model SGMAH-	Shaft-end Dimensions
	S
A3□□A21	$6 \begin{smallmatrix} 0 \\ -0.008 \end{smallmatrix}$
A3□□A41	
A3□□A61	
A5□□A21	$6 \begin{smallmatrix} 0 \\ -0.008 \end{smallmatrix}$
A5□□A41	
A5□□A61	
01□□A21	$8 \begin{smallmatrix} 0 \\ -0.009 \end{smallmatrix}$
01□□A41	
01□□A61	

(2) 200 W, 400 W



Units: mm

Model SGMAH-	L	LL	LM	LR	LE	LG	LA	LC	LZ
02□□A21	126.5	96.5	63	30	3	6	70	60	5.5
02□□A41									
02□□A61									
04A□A21	154.5	124.5	91	30	3	6	70	60	5.5
04A□A41									
04A□A61									

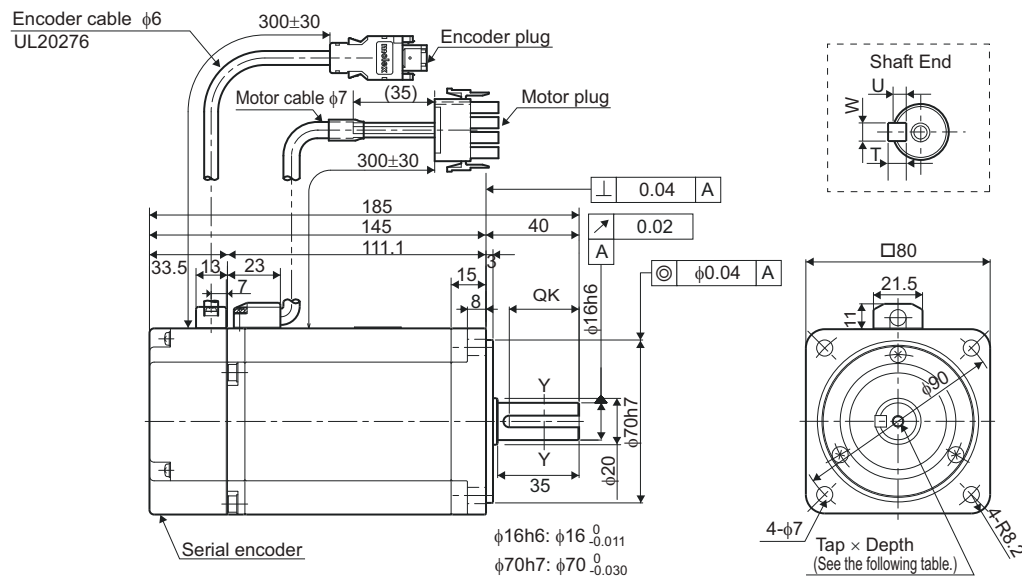
Units: mm

Model SGMAH-	Tap× Depth	QK	U	W	T	Approx. Mass kg	Allowable Radial Load N	Allowable Thrust Load N
02□□A21	No tap	No key			5	1.1	245	74
02□□A41		20	3	5				
02□□A61	M5×8L							
04A□A21	No tap	No key			5	1.7	245	74
04A□A41		20	3	5				
04A□A61	M5×8L							



- The dimensions for L and LL of a servomotor incorporating an encoder with super-capacitor (model: SGMAH-□□□4) are as shown below.  
SGMAH-02 and 04: L-dimension + 8.2 mm, LL-dimension +8.2 mm
- The working point of the SGMAH servomotor radial load is at the position of minus 5 mm from the shaft end.

(3) 750W



Units: mm

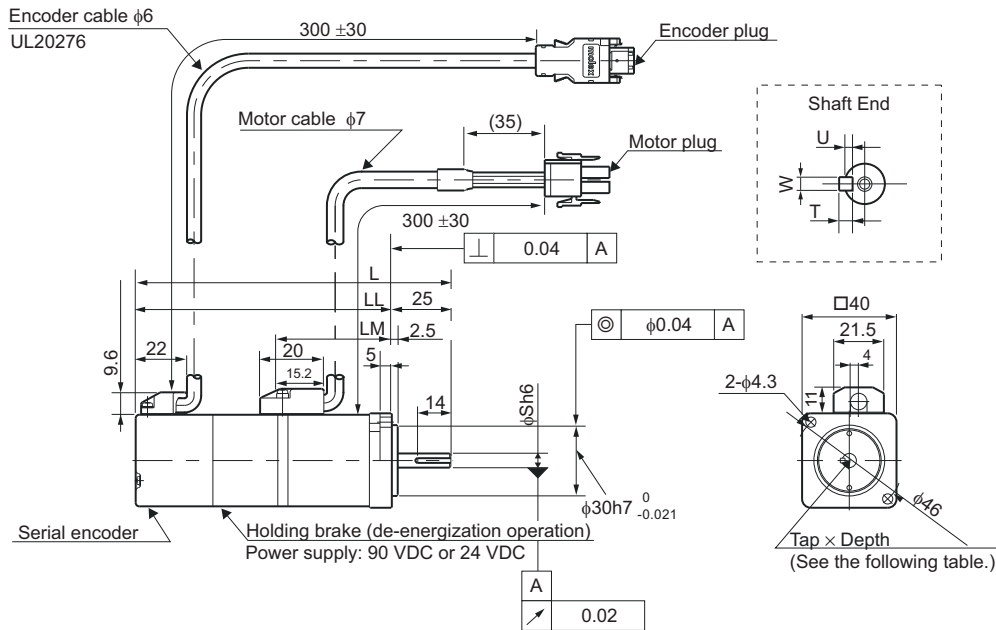
Model SGMAH-	Tap× Depth	QK	U	W	T	Approx. Mass kg	Allowable Radial Load N	Allowable Thrust Load N
08A□A21	No tap	No key			5	3.4	392	147
08A□A41		30	3	5				
08A□A61	M5×8L							



- The dimensions for L and LL of a servomotor incorporating an encoder with super-capacitor (model: SGMAH-□□□4) are as shown below.  
SGMAH-08: L-dimension + 0 mm, LL-dimension +0 mm.
- The working point of the SGMAH servomotor radial load is at the position of minus 5 mm from the shaft end.

### 3.12.2 SGMAH Servomotors (3000 min<sup>-1</sup>) Without Gears and With Brakes

(1) 30 W, 50 W, 100 W



Units: mm

Model SGMAH-	L	LL	LM	S	Tap $\times$ Depth	U	W	T	Approx. Mass kg	Allowable Radial Load N	Allowable Thrust Load N
A3□□A2□	126.0	101.0	36.5	6	No tap	No key			0.6	68	54
A3□□A4□					1.2	2	2				
A3□□A6□					M2.5 $\times$ 5L						
A5□□A2□	133.5	108.5	44.0	6	No tap	No key			0.7	68	54
A5□□A4□					1.2	2	2				
A5□□A6□					M2.5 $\times$ 5L						
01□□A2□	160.0	135.0	61.5	8	No tap	No key			0.8	78	54
01□□A4□					1.8	3	3				
01□□A6□					M3 $\times$ 6L						



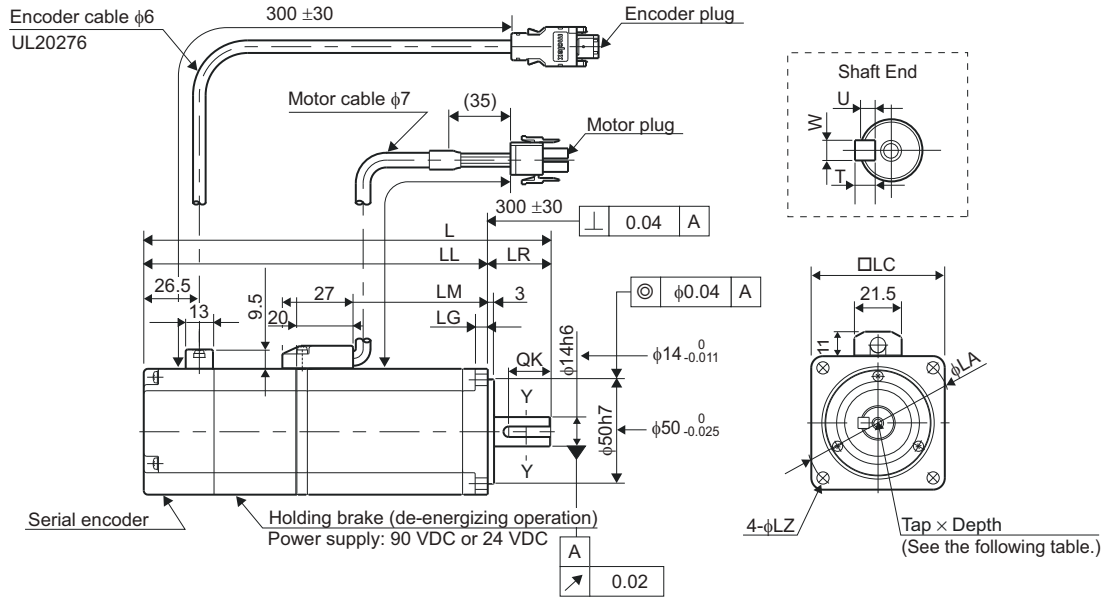
- The dimensions for L and LL of a servomotor incorporating an encoder with super-capacitor (model: SGMAH-□□□4) are as shown below.  
 SGMAH-A3, A5, and 01: L-dimension +12 mm, LL-dimension +12 mm.
- The working point of the SGMAH servomotor radial load is at the position of minus 5 mm from the shaft end.

• Dimensional Tolerances

Units: mm

Model SGMAH-	Shaft-end Dimensions
	S
A3□□A2□	6 <sup>0</sup> -0.008
A3□□A4□	
A3□□A6□	
A5□□A2□	6 <sup>0</sup> -0.008
A5□□A4□	
A5□□A6□	
01□□A2□	8 <sup>0</sup> -0.009
01□□A4□	
01□□A6□	

(2) 200 W, 400 W



Units: mm

Model SGMAH-	L	LL	LM	LR	LG	LC	LA	LZ
02□□A2□	166	136	62.5	30	6	60	70	5.5
02□□A4□								
02□□A6□								
04A□A2□	194	164	90.5	30	6	60	70	5.5
04A□A4□								
04A□A6□								

3.12.2 SGMAH Servomotors (3000 min<sup>-1</sup>) Without Gears and With Brakes

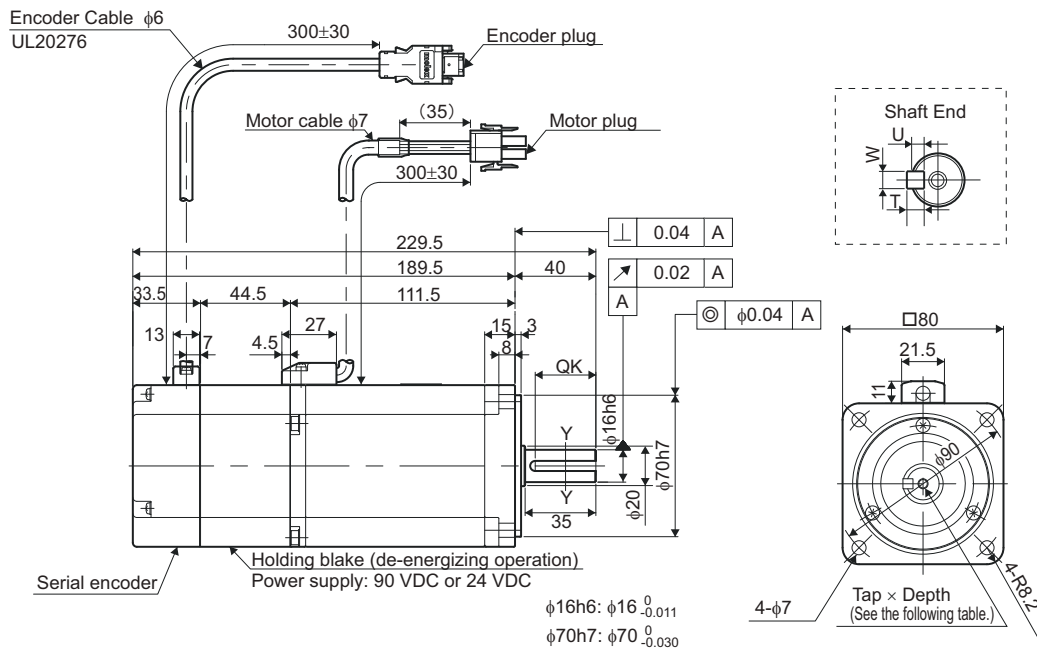
Units: mm

Model SGMAH-	Tap× Depth	QK	U	W	T	Approx. Mass kg	Allowable Radial Load N	Allowable Thrust Load N
02□□A2□	No tap	No key			5	1.6	245	74
02□□A4□		20	3	5				
02□□A6□	M5×8L							
04A□A2□	No tap	No key			5	2.2	245	74
04A□A4□		20	3	5				
04A□A6□	M5×8L							



- The dimensions for L and LL of a servomotor incorporating an encoder with super-capacitor (model: SGMAH-□□□4) are as shown below.  
SGMAH-02 and 04: L-dimension +8.2 mm, LL-dimension +8.2 mm
- The working point of the SGMAH servomotor radial load is at the position of minus 5 mm from the shaft end.

(3) 750W



Units: mm

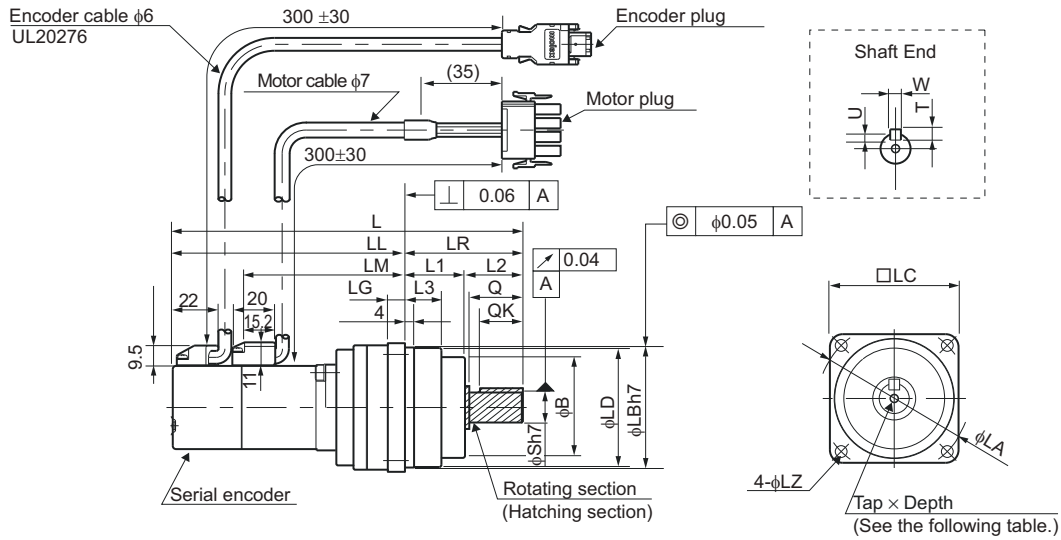
Model SGMAH-	Tap× Depth	QK	U	W	T	Approx. Mass kg	Allowable Radial Load N	Allowable Thrust Load N
08A□A2□	No tap	No key			5	4.3	392	147
08A□A4□		30	3	5				
08A□A6□	M5×8L							



- The dimensions for L and LL of a servomotor incorporating an encoder with super-capacitor (model: SGMAH-□□□4) are as shown below.  
SGMAH-08: L-dimension + 0 mm, LL-dimension +0 mm
- The working point of the SGMAH servomotor radial load is at the position of minus 5 mm from the shaft end.

### 3.12.3 SGMAH Servomotors (3000 min<sup>-1</sup>) With Standard Backlash Gears

(1) 30 W, 50 W, 100 W



Units: mm

Model SGMAH-	Gear Ratio	L	LL	LM	LR	LG	B	LD	LB	L1	L2	L3	Q	QK	S
A3□□AJ1□1	1/5	156.5	101.5	68.5	55	8	47	55.5	56	28	27	17	25	20	14
A3□□AJ3□1	3/31	156.5	101.5	68.5	55	8	47	55.5	56	28	27	17	25	20	14
A3□□AJC□1	1/21	171.5	116.5	83.5	55	8	47	55.5	56	28	27	17	25	20	14
A3□□AJ7□1	1/33	171.5	116.5	83.5	55	8	47	55.5	56	28	27	17	25	20	14
A5□□AJ1□1	1/5	164	109	76.0	55	8	47	55.5	56	28	27	17	25	20	14
A5□□AJ3□1	3/31	174	114	77.0	60	9	57	63	65	30	30	14.5	28	25	16
A5□□AJC□1	1/21	191	131	94.0	60	9	57	63	65	30	30	14.5	28	25	16
A5□□AJ7□1	1/33	191	131	94.0	60	9	57	63	65	30	30	14.5	28	25	16
01□□AJ1□1	1/5	191.5	131.5	98.5	60	9	57	63	65	30	30	14.5	28	25	16
01□□AJ3□1	3/31	191.5	131.5	98.5	60	9	57	63	65	30	30	14.5	28	25	16
01□□AJC□1	1/21	227	153	120	74	10	69	83	85	36	38	19.5	36	32	20
01□□AJ7□1	1/33	227	153	120	74	10	69	83	85	36	38	19.5	36	32	20

Model SGMAH-	Gear Ratio	Tap×Depth	LC	LA	LZ	U	W	T	Approx. Mass kg	Allowable Radial Load N	Allowable Thrust Load N
A3□□AJ1□1	1/5	M4×8L	60	70	5.5	3	5	5	0.9	145	125
A3□□AJ3□1	3/31	M4×8L	60	70	5.5	3	5	5	0.9	185	
A3□□AJC□1	1/21	M4×8L	60	70	5.5	3	5	5	1.0		
A3□□AJ7□1	1/33	M4×8L	60	70	5.5	3	5	5	1.0		
A5□□AJ1□1	1/5	M4×8L	60	70	5.5	3	5	5	1.0	145	145
A5□□AJ3□1	3/31	M4×8L	70	80	6.6	3	5	5	1.2	215	
A5□□AJC□1	1/21	M4×8L	70	80	6.6	3	5	5	1.3	230	
A5□□AJ7□1	1/33	M4×8L	70	80	6.6	3	5	5	1.3	245	
01□□AJ1□1	1/5	M4×8L	70	80	6.6	3	5	5	1.3	175	
01□□AJ3□1	3/31	M4×8L	70	80	6.6	3	5	5	1.3	215	
01□□AJC□1	1/21	M5×10L	90	105	9	3.5	6	6	2.4	455	235
01□□AJ7□1	1/33	M5×10L	90	105	9	3.5	6	6	2.4	480	



- The dimensions for L and LL of a servomotor incorporating an encoder with super-capacitor (model: SGMAH-□□□4) are as shown below.  
SGMAH-A3, A5, and 01: L-dimension +12 mm, LL-dimension +12 mm
- The working point of the SGMAH servomotor radial load is at the position of minus 5 mm from the shaft end.

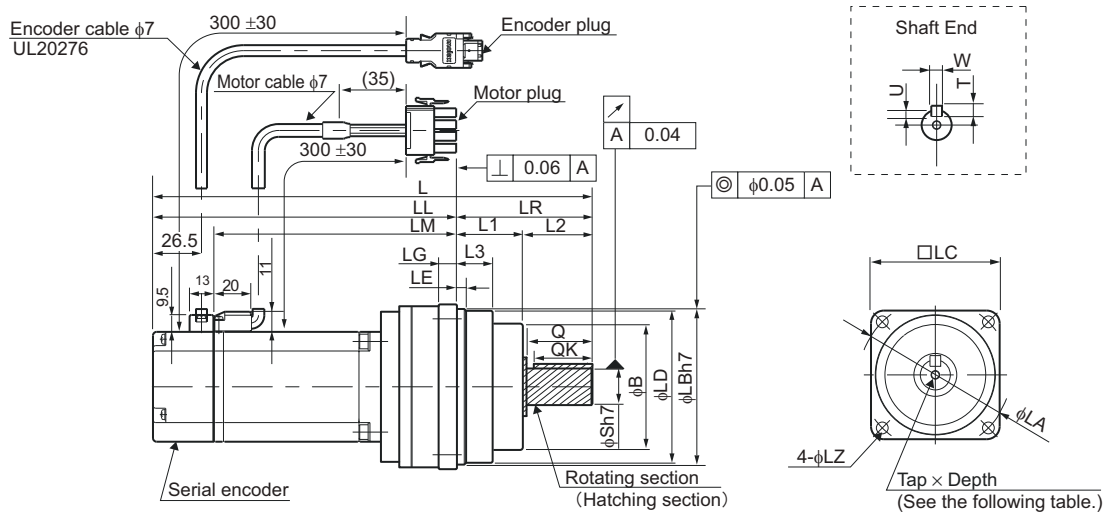
- Dimensional Tolerances

Units: mm

Model SGMAH-	Flange Face Dimensions	Shaft-end Dimensions
	LB	S
A3□□AJ1□1	$56 \begin{smallmatrix} 0 \\ -0.030 \end{smallmatrix}$	$14 \begin{smallmatrix} 0 \\ -0.018 \end{smallmatrix}$
A3□□AJ3□1	$56 \begin{smallmatrix} 0 \\ -0.030 \end{smallmatrix}$	$14 \begin{smallmatrix} 0 \\ -0.018 \end{smallmatrix}$
A3□□AJC□1	$56 \begin{smallmatrix} 0 \\ -0.030 \end{smallmatrix}$	$14 \begin{smallmatrix} 0 \\ -0.018 \end{smallmatrix}$
A3□□AJ7□1	$56 \begin{smallmatrix} 0 \\ -0.030 \end{smallmatrix}$	$14 \begin{smallmatrix} 0 \\ -0.018 \end{smallmatrix}$
A5□□AJ1□1	$56 \begin{smallmatrix} 0 \\ -0.030 \end{smallmatrix}$	$14 \begin{smallmatrix} 0 \\ -0.018 \end{smallmatrix}$
A5□□AJ3□1	$65 \begin{smallmatrix} 0 \\ -0.030 \end{smallmatrix}$	$16 \begin{smallmatrix} 0 \\ -0.018 \end{smallmatrix}$
A5□□AJC□1	$65 \begin{smallmatrix} 0 \\ -0.030 \end{smallmatrix}$	$16 \begin{smallmatrix} 0 \\ -0.018 \end{smallmatrix}$
A5□□AJ7□1	$65 \begin{smallmatrix} 0 \\ -0.030 \end{smallmatrix}$	$16 \begin{smallmatrix} 0 \\ -0.018 \end{smallmatrix}$
01□□AJ1□1	$65 \begin{smallmatrix} 0 \\ -0.030 \end{smallmatrix}$	$16 \begin{smallmatrix} 0 \\ -0.018 \end{smallmatrix}$
01□□AJ3□1	$65 \begin{smallmatrix} 0 \\ -0.030 \end{smallmatrix}$	$16 \begin{smallmatrix} 0 \\ -0.018 \end{smallmatrix}$
01□□AJC□1	$85 \begin{smallmatrix} 0 \\ -0.035 \end{smallmatrix}$	$20 \begin{smallmatrix} 0 \\ -0.021 \end{smallmatrix}$
01□□AJ7□1	$85 \begin{smallmatrix} 0 \\ -0.035 \end{smallmatrix}$	$20 \begin{smallmatrix} 0 \\ -0.021 \end{smallmatrix}$



(2) 200 W, 400 W, 750 W



Units: mm

Model SGMAH-	Gear Ratio	L	LL	LM	LR	LE	LG	B	LD	LB	L1	L2	L3	Q	QK	S
02□□AJ1□1	1/5	212	138	104.5	74	4	10	69	83	85	36	38	19.5	36	32	20
02□□AJ3□1	3/31	212	138	104.5	74	4	10	69	83	85	36	38	19.5	36	32	20
02□□AJC□1	1/21	249.5	165.5	132	84	4	12	82	98	100	40	44	23	42	36	25
02□□AJ7□1	1/33	249.5	165.5	132	84	4	12	82	98	100	40	44	23	42	36	25
04□□AJ1□1	1/5	240	166	133	74	4	10	69	83	85	36	38	19.5	36	32	20
04□□AJ3□1	3/31	256.5	172.5	139	84	4	12	82	98	100	40	44	23	42	36	25
04□□AJC□1	1/21	305.5	200.5	167	105	5	13	93	112	115	45	60	26.5	58	50	32
04□□AJ7□1	1/33	305.5	200.5	167	105	5	13	93	112	115	45	60	26.5	58	50	32
08□□AJ1□1	1/5	277	193	159.5	84	4	12	82	98	100	40	44	23	42	36	25
08□□AJ3□1	3/31	301	196	162.5	105	5	13	93	112	115	45	60	26.5	58	50	32
08□□AJC□1	1/21	330	223	189.5	107	10	15	134	134	140	44	63	42	60	45	40
08□□AJ7□1	1/33	330	223	189.5	107	10	15	134	134	140	44	63	42	60	45	40

Model SGMAH-	Gear Ratio	LC	LA	LZ	Tap×Depth	U	W	T	Approx. Mass kg	Allowable Radial Load N	Allowable Thrust Load N
02□□AJ1□1	1/5	90	105	9	M5×10L	3.5	6	6	2.8	275	235
02□□AJ3□1	3/31	90	105	9	M5×10L	3.5	6	6	2.8	360	
02□□AJC□1	1/21	105	120	9	M6×12L	4	8	7	4.2	585	290
02□□AJ7□1	1/33	105	120	9	M6×12L	4	8	7	4.2	635	
04□□AJ1□1	1/5	90	105	9	M5×10L	3.5	6	6	3.4	275	235
04□□AJ3□1	3/31	105	120	9	M6×12L	4	8	7	4.3	460	
04□□AJC□1	1/21	120	135	11	M8×16L	5	10	8	6.4	655	310
04□□AJ7□1	1/33	120	135	11	M8×16L	5	10	8	6.4	755	
08□□AJ1□1	1/5	105	120	9	M6×12L	4	8	7	6.0	355	290
08□□AJ3□1	3/31	120	135	11	M8×16L	5	10	8	7.5	525	
08□□AJC□1	1/21	145	165	14	M10×20L	5	12	8	12.4	1070	490
08□□AJ7□1	1/33	145	165	14	M10×20L	5	12	8	12.4	1210	



- The dimensions for L and LL of a servomotor incorporating an encoder with super-capacitor (model: SGMAH-□□□4) are as shown below.  
 SGMAH-02 and 04: L-dimension + 8.2 mm, LL-dimension +8.2 mm  
 SGMAH-08: L-dimension + 0 mm, LL-dimension +0 mm
- The working point of the SGMAH servomotor radial load is at the position of the encoder end.

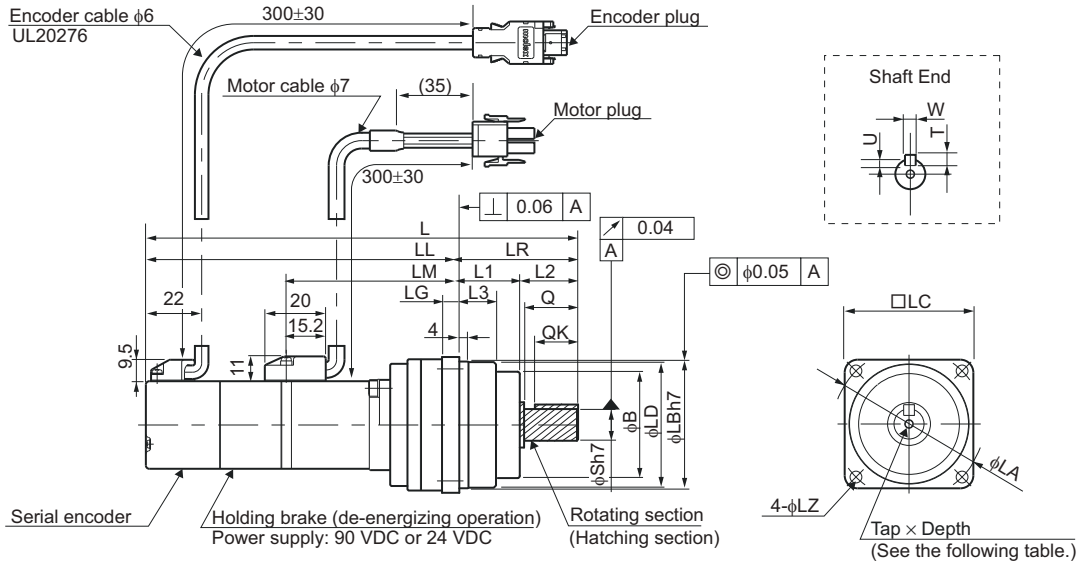
- Dimensional Tolerances

Units: mm

Model SGMAH-	Flange Face Dimensions	Shaft-end Dimensions
	LB	S
02□□AJ1□1	$85 \begin{smallmatrix} 0 \\ -0.035 \end{smallmatrix}$	$20 \begin{smallmatrix} 0 \\ -0.021 \end{smallmatrix}$
02□□AJ3□1	$85 \begin{smallmatrix} 0 \\ -0.035 \end{smallmatrix}$	$20 \begin{smallmatrix} 0 \\ -0.021 \end{smallmatrix}$
02□□AJC□1	$100 \begin{smallmatrix} 0 \\ -0.035 \end{smallmatrix}$	$25 \begin{smallmatrix} 0 \\ -0.021 \end{smallmatrix}$
02□□AJ7□1	$100 \begin{smallmatrix} 0 \\ -0.035 \end{smallmatrix}$	$25 \begin{smallmatrix} 0 \\ -0.021 \end{smallmatrix}$
04□□AJ1□1	$85 \begin{smallmatrix} 0 \\ -0.035 \end{smallmatrix}$	$20 \begin{smallmatrix} 0 \\ -0.021 \end{smallmatrix}$
04□□AJ3□1	$100 \begin{smallmatrix} 0 \\ -0.035 \end{smallmatrix}$	$25 \begin{smallmatrix} 0 \\ -0.021 \end{smallmatrix}$
04□□AJC□1	$115 \begin{smallmatrix} 0 \\ -0.035 \end{smallmatrix}$	$32 \begin{smallmatrix} 0 \\ -0.025 \end{smallmatrix}$
04□□AJ7□1	$115 \begin{smallmatrix} 0 \\ -0.035 \end{smallmatrix}$	$32 \begin{smallmatrix} 0 \\ -0.025 \end{smallmatrix}$
08□□AJ1□1	$100 \begin{smallmatrix} 0 \\ -0.035 \end{smallmatrix}$	$25 \begin{smallmatrix} 0 \\ -0.021 \end{smallmatrix}$
08□□AJ3□1	$115 \begin{smallmatrix} 0 \\ -0.035 \end{smallmatrix}$	$32 \begin{smallmatrix} 0 \\ -0.025 \end{smallmatrix}$
08□□AJC□1	$140 \begin{smallmatrix} 0 \\ -0.040 \end{smallmatrix}$	$40 \begin{smallmatrix} 0 \\ -0.025 \end{smallmatrix}$
08□□AJ7□1	$140 \begin{smallmatrix} 0 \\ -0.040 \end{smallmatrix}$	$40 \begin{smallmatrix} 0 \\ -0.025 \end{smallmatrix}$

### 3.12.4 SGMAH Servomotors (3000 min<sup>-1</sup>) With Standard Backlash Gears and Brakes

(1) 30 W, 50 W, 100 W



Units: mm

Model SGMAH-	Gear Ratio	L	LL	LM	LR	LG	B	LD	LB	L1	L2	L3	Q	QK	S
A3□□AJ1□□	1/5	188.5	133.5	68.5	55	8	47	55.5	56	28	27	17	25	20	14
A3□□AJ3□□	3/31	188.5	133.5	68.5	55	8	47	55.5	56	28	27	17	25	20	14
A3□□AJC□□	1/21	203.5	148.5	83.5	55	8	47	55.5	56	28	27	17	25	20	14
A3□□AJ7□□	1/33	203.5	148.5	83.5	55	8	47	55.5	56	28	27	17	25	20	14
A5□□AJ1□□	1/5	196	141	76.0	55	8	47	55.5	56	28	27	17	25	20	14
A5□□AJ3□□	3/31	206	146	77.0	60	9	57	63	65	30	30	14.5	28	25	16
A5□□AJC□□	1/21	223	163	94.0	60	9	57	63	65	30	30	14.5	28	25	16
A5□□AJ7□□	1/33	223	163	94.0	60	9	57	63	65	30	30	14.5	28	25	16
01□□AJ1□□	1/5	232	172	98.5	60	9	57	63	65	30	30	14.5	28	25	16
01□□AJ3□□	3/31	232	172	98.5	60	9	57	63	65	30	30	14.5	28	25	16
01□□AJC□□	1/21	268	194	120	74	10	69	83	85	36	38	19.5	36	32	20
01□□AJ7□□	1/33	268	194	120	74	10	69	83	85	36	38	19.5	36	32	20

Model SGMAH-	Gear Ratio	LC	LA	LZ	Tap×Depth	U	W	T	Approx. Mass kg	Allowable Radial Load N	Allowable Thrust Load N
A3□□AJ1□□	1/5	60	70	5.5	M4×8L	3	5	5	1.2	145	125
A3□□AJ3□□	3/31	60	70	5.5	M4×8L	3	5	5	1.2	185	
A3□□AJC□□	1/21	60	70	5.5	M4×8L	3	5	5	1.3		
A3□□AJ7□□	1/33	60	70	5.5	M4×8L	3	5	5	1.3		
A5□□AJ1□□	1/5	60	70	5.5	M4×8L	3	5	5	1.3	145	145
A5□□AJ3□□	3/31	70	80	6.6	M4×8L	3	5	5	1.5	215	
A5□□AJC□□	1/21	70	80	6.6	M4×8L	3	5	5	1.6	230	
A5□□AJ7□□	1/33	70	80	6.6	M4×8L	3	5	5	1.6	245	
01□□AJ1□□	1/5	70	80	6.6	M4×8L	3	5	5	1.6	175	
01□□AJ3□□	3/31	70	80	6.6	M4×8L	3	5	5	1.6	215	
01□□AJC□□	1/21	90	105	9	M5×10L	3.5	6	6	2.7	455	
01□□AJ7□□	1/33	90	105	9	M5×10L	3.5	6	6	2.7	455	

www.nicsanat.com  
021-87700210





- The dimensions for L and LL of a servomotor incorporating an encoder with super-capacitor (model: SGMAH-□□□4) are as shown below.

SGMAH-03, A5, and 01: L-dimension +12 mm, LL-dimension +12 mm

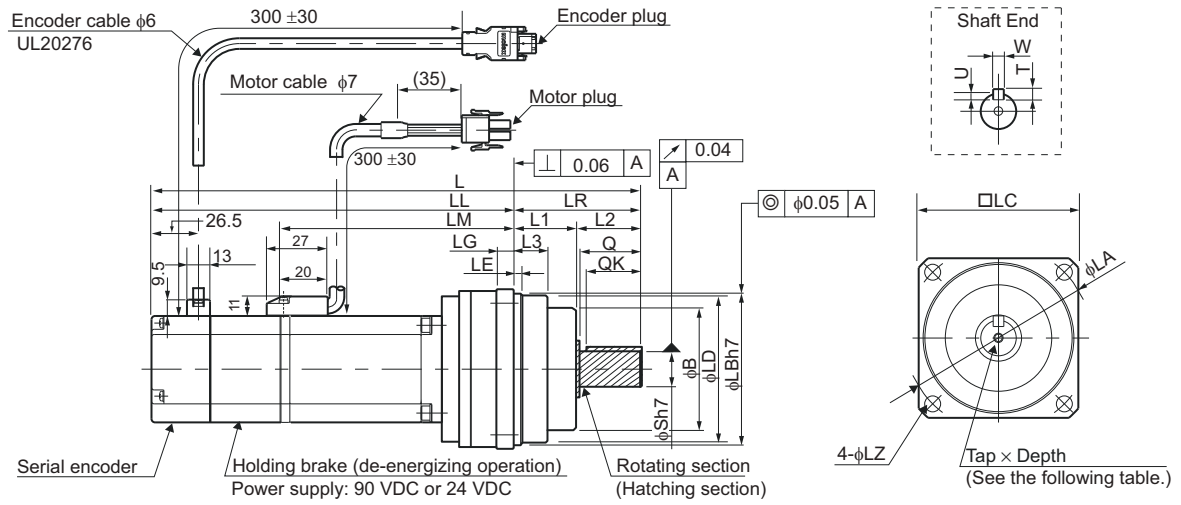
- The working point of the SGMAH servomotor radial load is at the position of minus 5 mm from the shaft end.

- Dimensional Tolerances

Units: mm

Model SGMAH-	Flange Face Dimensions	Shaft-end Dimensions
	LB	S
A3□□AJ1□□	$56 \begin{smallmatrix} 0 \\ -0.030 \end{smallmatrix}$	$14 \begin{smallmatrix} 0 \\ -0.018 \end{smallmatrix}$
A3□□AJ3□□	$56 \begin{smallmatrix} 0 \\ -0.030 \end{smallmatrix}$	$14 \begin{smallmatrix} 0 \\ -0.018 \end{smallmatrix}$
A3□□AJC□□	$56 \begin{smallmatrix} 0 \\ -0.030 \end{smallmatrix}$	$14 \begin{smallmatrix} 0 \\ -0.018 \end{smallmatrix}$
A3□□AJ7□□	$56 \begin{smallmatrix} 0 \\ -0.030 \end{smallmatrix}$	$14 \begin{smallmatrix} 0 \\ -0.018 \end{smallmatrix}$
A5□□AJ1□□	$56 \begin{smallmatrix} 0 \\ -0.030 \end{smallmatrix}$	$14 \begin{smallmatrix} 0 \\ -0.018 \end{smallmatrix}$
A5□□AJ3□□	$65 \begin{smallmatrix} 0 \\ -0.030 \end{smallmatrix}$	$16 \begin{smallmatrix} 0 \\ -0.018 \end{smallmatrix}$
A5□□AJC□□	$65 \begin{smallmatrix} 0 \\ -0.030 \end{smallmatrix}$	$16 \begin{smallmatrix} 0 \\ -0.018 \end{smallmatrix}$
A5□□AJ7□□	$65 \begin{smallmatrix} 0 \\ -0.030 \end{smallmatrix}$	$16 \begin{smallmatrix} 0 \\ -0.018 \end{smallmatrix}$
01□□AJ1□□	$65 \begin{smallmatrix} 0 \\ -0.030 \end{smallmatrix}$	$16 \begin{smallmatrix} 0 \\ -0.018 \end{smallmatrix}$
01□□AJ3□□	$65 \begin{smallmatrix} 0 \\ -0.030 \end{smallmatrix}$	$16 \begin{smallmatrix} 0 \\ -0.018 \end{smallmatrix}$
01□□AJC□□	$85 \begin{smallmatrix} 0 \\ -0.035 \end{smallmatrix}$	$20 \begin{smallmatrix} 0 \\ -0.021 \end{smallmatrix}$
01□□AJ7□□	$85 \begin{smallmatrix} 0 \\ -0.035 \end{smallmatrix}$	$20 \begin{smallmatrix} 0 \\ -0.021 \end{smallmatrix}$

(2) 200 W, 400 W, 750 W



Units: mm

Model SGMAH-	Gear Ratio	L	LL	LM	LR	LE	LG	B	LD	LB	L1	L2	L3	Q	QK	S
02□□AJ1□□	1/5	251.5	177.5	104.5	74	4	10	69	83	85	36	38	19.5	36	32	20
02□□AJ3□□	3/31	251.5	177.5	104.5	74	4	10	69	83	85	36	36	19.5	36	32	20
02□□AJC□□	1/21	289	205	132	84	4	12	82	98	100	40	44	19.5	42	36	25
02□□AJ7□□	1/33	289	205	132	84	4	12	82	98	100	40	44	19.5	42	36	25
04□□AJ1□□	1/5	297.5	223.5	150.5	74	4	10	69	83	85	36	38	19.5	36	32	20
04□□AJ3□□	3/31	296	212	139	84	4	12	82	98	100	40	44	23	42	36	25
04□□AJC□□	1/21	345	240	167	105	5	13	93	112	115	45	60	26.5	58	50	32
04□□AJ7□□	1/33	345	240	167	105	5	13	93	112	115	45	80	26.5	58	50	32
08□□AJ1□□	1/5	321.5	237.5	158.5	84	4	12	82	98	100	40	44	23	42	36	25
08□□AJ3□□	3/31	345.5	240.5	162.5	105	5	13	93	112	115	45	60	26.5	58	50	32
08□□AJC□□	1/21	374.5	267.5	189.5	107	10	15	134	134	140	44	63	42	60	45	40
08□□AJ7□□	1/33	374.5	267.5	189.5	107	10	15	134	134	140	44	63	42	60	45	40

Units: mm

Model SGMAH-	Gear Ratio	LC	LA	LZ	Tap×Depth	U	W	T	Approx. Mass kg	Allowable Radial Load N	Allowable Thrust Load N
02□□AJ1□□	1/5	90	105	9	M5×10L	3.5	6	6	3.3	275	235
02□□AJ3□□	3/31	90	105	9	M5×10L	3.5	6	6	3.3	360	
02□□AJC□□	1/21	105	120	9	M6×12L	4	8	7	4.7	585	290
02□□AJ7□□	1/33	105	120	9	M6×12L	4	8	7	4.7	635	
04□□AJ1□□	1/5	90	105	9	M5×10L	3.5	6	6	3.9	275	235
04□□AJ3□□	3/31	105	120	9	M6×12L	4	8	7	4.8	460	290
04□□AJC□□	1/21	120	135	11	M8×16L	5	10	8	6.9	655	310
04□□AJ7□□	1/33	120	135	11	M8×16L	5	10	8	6.9	755	
08□□AJ1□□	1/5	105	120	9	M6×12L	4	8	7	6.9	355	290
08□□AJ3□□	3/31	120	135	11	M8×16L	5	10	8	8.4	525	310
08□□AJC□□	1/21	145	165	14	M10×20L	5	12	8	13.3	1070	490
08□□AJ7□□	1/33	145	165	14	M10×20L	5	12	8	13.3	1210	



- The dimensions for L and LL of a servomotor incorporating an encoder with super-capacitor (model: SGMAH-□□□4) are as shown below.  
 SGMAH-02 and 04: L-dimension + 8.2 mm, LL-dimension +8.2 mm  
 SGMAH-08: L-dimension + 0 mm, LL-dimension +0 mm
- The working point of the SGMAH servomotor radial load is at the position of minus 5 mm from the shaft end.

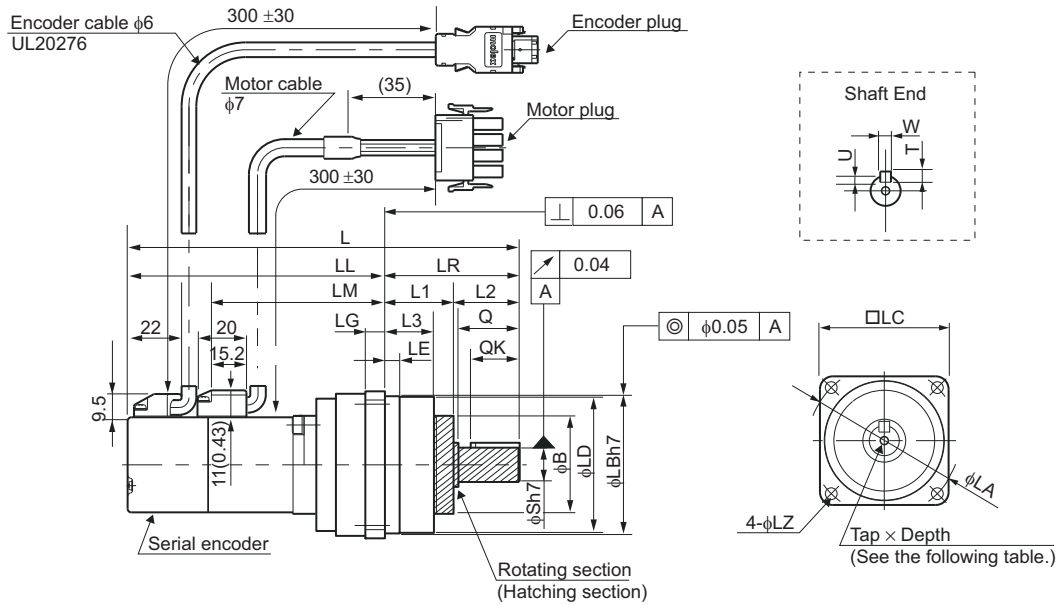
- Dimensional Tolerances

Units: mm

Model SGMAH-	Flange Face Dimensions	Shaft-end Dimensions
	LB	S
02□□AJ1□□	85 <sup>0</sup> -0.035	20 <sup>0</sup> -0.021
02□□AJ3□□	85 <sup>0</sup> -0.035	20 <sup>0</sup> -0.021
02□□AJC□□	100 <sup>0</sup> -0.035	25 <sup>0</sup> -0.021
02□□AJ7□□	100 <sup>0</sup> -0.035	25 <sup>0</sup> -0.021
04□□AJ1□□	85 <sup>0</sup> -0.035	20 <sup>0</sup> -0.021
04□□AJ3□□	100 <sup>0</sup> -0.035	25 <sup>0</sup> -0.021
04□□AJC□□	115 <sup>0</sup> -0.035	32 <sup>0</sup> -0.025
04□□AJ7□□	115 <sup>0</sup> -0.035	32 <sup>0</sup> -0.025
08□□AJ1□□	100 <sup>0</sup> -0.035	25 <sup>0</sup> -0.021
08□□AJ3□□	115 <sup>0</sup> -0.035	32 <sup>0</sup> -0.025
08□□AJC□□	140 <sup>0</sup> -0.040	40 <sup>0</sup> -0.025
08□□AJ7□□	140 <sup>0</sup> -0.040	40 <sup>0</sup> -0.025

### 3.12.5 SGMAH Servomotors (3000 min<sup>-1</sup>) With Low-backlash Gears

#### (1) 30 W, 50 W, 100 W



Units: mm

Model SGMAH-	Gear Ratio	L	LL	LM	LR	LE	LG	B	LD	LB	L1	L2	L3	Q	QK	S
A3□□AH1□1	1/5	152.5	97.5	64.5	55	6	8	40	55.5	56	28	27	20	25	20	14
A3□□AH2□1	1/9	152.5	97.5	64.5	55	6	8	40	55.5	56	28	27	20	25	20	14
A3□□AHC□1	1/21	167.5	112.5	79.5	55	6	8	40	55.5	56	28	27	20	25	20	14
A3□□AH7□1	1/33	167.5	112.5	79.5	55	6	8	40	55.5	56	28	27	20	25	20	14
A5□□AH1□1	1/5	160	105	72.0	55	6	8	40	55.5	56	28	27	20	25	20	14
A5□□AH2□1	1/9	166	106	73.0	60	8	9	50	64.5	65	30	30	22	28	25	16
A5□□AHC□1	1/21	183	123	90.0	60	8	9	40	64.5	65	30	30	22	28	25	16
A5□□AH7□1	1/33	183	123	90.0	60	8	9	40	64.5	65	30	30	22	28	25	16
01□□AH1□1	1/5	183.5	123.5	90.5	60	8	9	40	64.5	65	30	30	21	28	25	16
01□□AHB□1	1/11	200.5	140.5	107.5	60	8	9	40	64.5	65	30	30	21	28	25	16
01□□AHC□1	1/21	223.5	149.5	116.5	74	7.5	10	59	84	85	36	38	26	36	32	20
01□□AH7□1	1/33	223.5	149.5	116.5	74	7.5	10	59	84	85	36	38	26	36	32	20

Units: mm

Model SGMAH-	Gear Ratio	LC	LA	LZ	Tap×Depth	U	W	T	Approx. Mass kg	Allowable Radial Load N	Allowable Thrust Load N
A3□□AH1□1	1/5	60	70	5.5	M4×8L	3	5	5	1.0	137	127
A3□□AH2□1	1/9	60	70	5.5	M4×8L	3	5	5	1.0		
A3□□AHC□1	1/21	60	70	5.5	M4×8L	3	5	5	1.0		
A3□□AH7□1	1/33	60	70	5.5	M4×8L	3	5	5	1.0		
A5□□AH1□1	1/5	60	70	5.5	M4×8L	3	5	5	1.1	137	127
A5□□AH2□1	1/9	70	80	6.6	M4×8L	3	5	5	1.4	206	147
A5□□AHC□1	1/21	70	80	6.6	M4×8L	3	5	5	1.3		
A5□□AH7□1	1/33	70	80	6.6	M4×8L	3	5	5	1.3		
01□□AH1□1	1/5	70	80	6.6	M4×8L	3	5	5	1.2	167	147
01□□AHB□1	1/11	70	80	6.6	M4×8L	3	5	5	1.4	216	



Units: mm

Model SGMAH-	Gear Ratio	LC	LA	LZ	Tap×Depth	U	W	T	Approx. Mass kg	Allowable Radial Load N	Allowable Thrust Load N
01□□AH□1	1/21	90	105	9	M5×10L	3.5	6	6	2.7	392	235
01□□AH7□1	1/33	90	105	9	M5×10L	3.5	6	6	2.7	431	



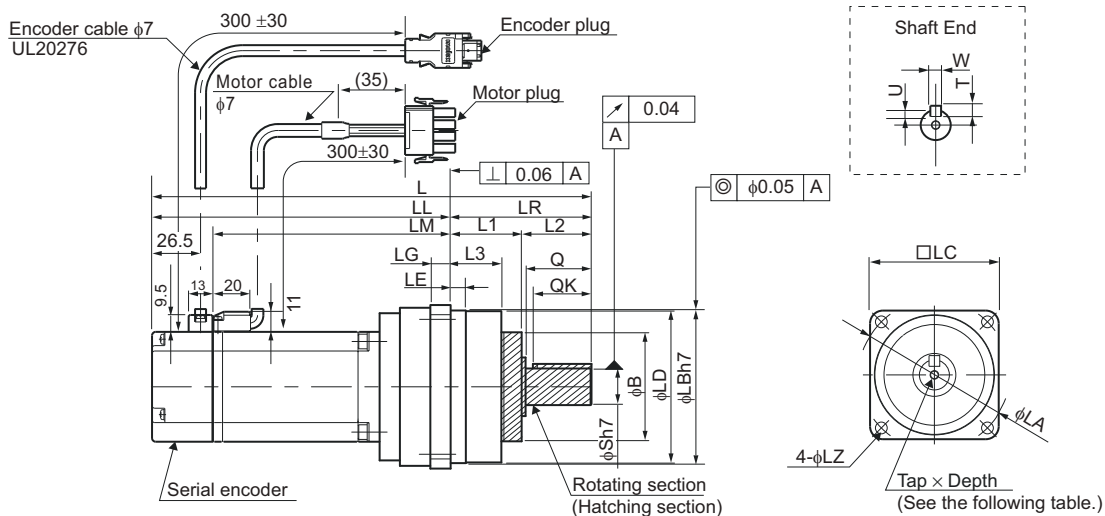
- The dimensions for L and LL of a servomotor incorporating an encoder with super-capacitor (model: SGMAH-□□□4) are as shown below.  
SGMAH-03, A5, and 01: L-dimension +12 mm, LL-dimension +12 mm
- The working point of the SGMAH servomotor radial load is at the position of minus 5 mm from the shaft end.

#### • Dimensional Tolerances

Units: mm

Model SGMAH-	Flange Face Dimensions	Shaft-end Dimensions
	LB	S
A3□□AH1□1	56 <sup>0</sup> -0.030	14 <sup>0</sup> -0.018
A3□□AH2□1	56 <sup>0</sup> -0.030	14 <sup>0</sup> -0.018
A3□□AH□1	56 <sup>0</sup> -0.030	14 <sup>0</sup> -0.018
A3□□AH7□1	56 <sup>0</sup> -0.030	14 <sup>0</sup> -0.018
A5□□AH1□1	56 <sup>0</sup> -0.030	14 <sup>0</sup> -0.018
A5□□AH2□1	65 <sup>0</sup> -0.030	16 <sup>0</sup> -0.018
A5□□AH□1	65 <sup>0</sup> -0.030	16 <sup>0</sup> -0.018
A5□□AH7□1	65 <sup>0</sup> -0.030	16 <sup>0</sup> -0.018
01□□AH1□1	65 <sup>0</sup> -0.030	16 <sup>0</sup> -0.018
01□□AH□1	65 <sup>0</sup> -0.030	16 <sup>0</sup> -0.018
01□□AH□1	85 <sup>0</sup> -0.035	20 <sup>0</sup> -0.021
01□□AH7□1	85 <sup>0</sup> -0.035	20 <sup>0</sup> -0.021

(2) 200 W, 400 W, 750 W



Units: mm

Model SGMAH-	Gear Ratio	L	LL	LM	LR	LE	LG	B	LD	LB	L1	L2	L3	Q	QK	S
02□□AH1□1	1/5	208.5	134.5	101	74	7.5	10	59	84	85	36	38	26	36	32	20
02□□AHB□1	1/11	225.5	151.5	118	74	7.5	10	59	84	85	36	38	26	36	32	20
02□□AHC□1	1/21	243.5	159.5	126	84	12	12	59	96	100	40	44	29	42	36	25
02□□AH7□1	1/33	243.5	159.5	126	84	12	12	59	96	100	40	44	29	42	36	25
04□□AH1□1	1/5	236.5	162.5	129	74	7.5	10	59	84	85	36	38	26	36	32	20
04□□AHB□1	1/11	271.5	187.5	154	84	12	12	59	96	100	40	44	29	42	36	25
04□□AHC□1	1/21	300.5	195.5	162	105	14	13	59	112	115	45	60	33	58	50	32
04□□AH7□1	1/33	300.5	195.5	162	105	12.5	13	84	114	115	45	60	33	58	50	32
08□□AH1□1	1/5	271	187	153.5	84	12	12	59	96	100	40	44	29	42	36	25
08□□AHB□1	1/11	321	216	182.5	105	14	13	59	112	115	45	60	33	58	50	32
08□□AHC□1	1/21	365	223	189.5	142	10	15	84	134	140	57	85	40	82	70	40
08□□AH7□1	1/33	365	223	189.5	142	10	15	84	134	140	57	85	40	82	70	40

Units: mm

Model SGMAH-	Gear Ratio	LC	LA	LZ	Tap×Depth	U	W	T	Approx. Mass kg	Allowable Radial Load N	Allowable Thrust Load N
02□□AH1□1	1/5	90	105	9	M5×10L	3.5	6	6	3.0	245	235
02□□AHB□1	1/11	90	105	9	M5×10L	3.5	6	6	3.5	323	
02□□AHC□1	1/21	105	120	9	M6×12L	4	8	7	3.7	549	294
02□□AH7□1	1/33	105	120	9	M6×12L	4	8	7	3.8	608	
04□□AH1□1	1/5	90	105	9	M5×10L	3.5	6	6	3.6	245	235
04□□AHB□1	1/11	105	120	9	M6×12L	4	8	7	4.3	441	294
04□□AHC□1	1/21	120	135	11	M8×16L	5	10	8	4.7	568	314
04□□AH7□1	1/33	120	135	11	M8×16L	5	10	8	7.1	657	
08□□AH1□1	1/5	105	120	9	M6×12L	4	8	7	5.8	343	294
08□□AHB□1	1/11	120	135	11	M8×16L	5	10	8	6.6	451	314
08□□AHC□1	1/21	145	165	14	M10×20L	5	12	8	9.9	813	490
08□□AH7□1	1/33	145	165	14	M10×20L	5	12	8	9.9	921	



- The dimensions for L and LL of a servomotor incorporating an encoder with super-capacitor (model: SGMAH□□□□4) are as shown below.

SGMAH-02 and 04: L-dimension + 8.2 mm, LL-dimension +8.2 mm

SGMAH-08: L-dimension + 0 mm, LL-dimension +0 mm

- The working point of the SGMAH servomotor radial load is at the position of minus 5 mm from the shaft end.

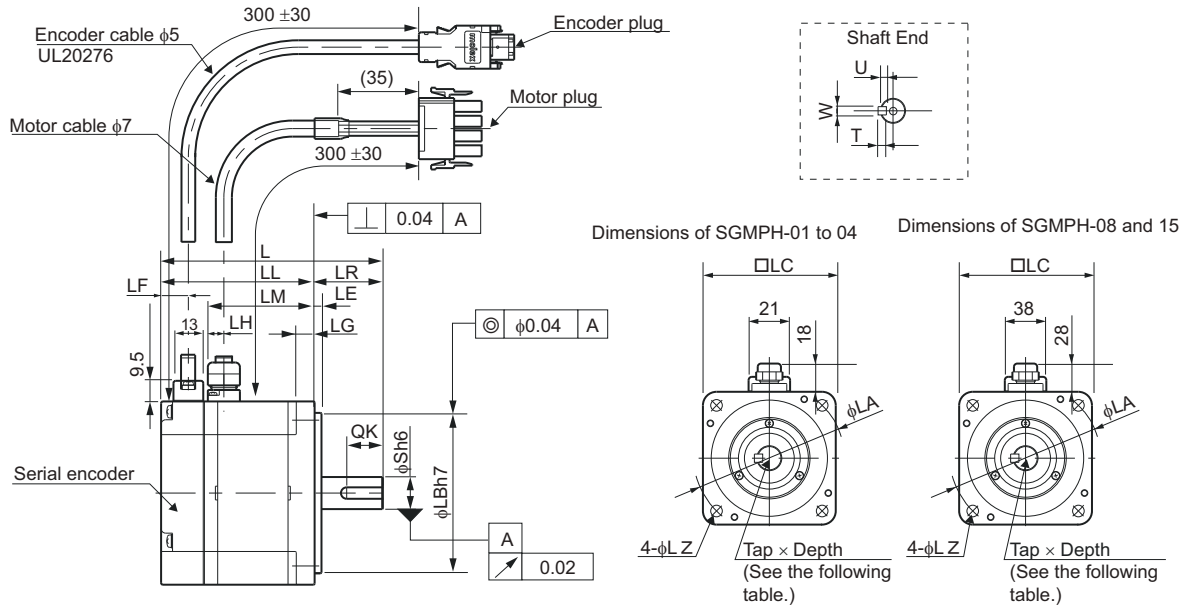
#### • Dimensional Tolerances

Units: mm

Model SGMAH-	Flange Face Dimensions	Shaft-end Dimensions
	LB	S
02□□AH1□1	85 <sup>0</sup> <sub>-0.035</sub>	20 <sup>0</sup> <sub>-0.021</sub>
02□□AHB□1	85 <sup>0</sup> <sub>-0.035</sub>	20 <sup>0</sup> <sub>-0.021</sub>
02□□AHC□1	100 <sup>0</sup> <sub>-0.035</sub>	25 <sup>0</sup> <sub>-0.021</sub>
02□□AH7□1	100 <sup>0</sup> <sub>-0.035</sub>	25 <sup>0</sup> <sub>-0.021</sub>
04□□AH1□1	85 <sup>0</sup> <sub>-0.035</sub>	20 <sup>0</sup> <sub>-0.021</sub>
04□□AHB□1	100 <sup>0</sup> <sub>-0.035</sub>	25 <sup>0</sup> <sub>-0.021</sub>
04□□AHC□1	115 <sup>0</sup> <sub>-0.035</sub>	32 <sup>0</sup> <sub>-0.025</sub>
04□□AH7□1	115 <sup>0</sup> <sub>-0.035</sub>	32 <sup>0</sup> <sub>-0.025</sub>
08□□AH1□1	100 <sup>0</sup> <sub>-0.035</sub>	25 <sup>0</sup> <sub>-0.021</sub>
08□□AHB□1	115 <sup>0</sup> <sub>-0.035</sub>	32 <sup>0</sup> <sub>-0.025</sub>
08□□AHC□1	140 <sup>0</sup> <sub>-0.040</sub>	40 <sup>0</sup> <sub>-0.025</sub>
08□□AH7□1	140 <sup>0</sup> <sub>-0.040</sub>	40 <sup>0</sup> <sub>-0.025</sub>

### 3.13 Dimensional Drawings of SGMPH Servomotors (3000 min<sup>-1</sup>)

#### 3.13.1 SGMPH Servomotors (3000 min<sup>-1</sup>) Without Gears and Brakes



Units: mm

Model SGMPH-	L	LL	LM	LR	LE	LG	LF	S	LB	LH	Tap×Depth
01□□□21	87	62	42.5	25	3	6	12.5	8	50	10.55	No tap
01□□□41											M3×6L
01□□□61											M3×6L
02□□□21	97	67	48.1	30	3	8	11.9	14	70	8.25	No tap
02□□□41											M5×8L
02□□□61											M5×8L
04□□□21	117	87	68.1	30	3	8	11.9	14	70	8.25	No tap
04□□□41											M5×8L
04□□□61											M5×8L
08□□□21	126.5	86.5	66.7	40	3.5	10	12.8	16	110	10.5	No tap
08□□□41											M5×8L
08□□□61											M5×8L
15□□□21	154.5	114.5	94.7	40	3.5	10	12.8	19	110	10.5	No tap
15□□□41											M6×10L
15□□□61											M6×10L



- The dimensions for L and LL of a servomotor incorporating an encoder with super-capacitor (model: SGMPH-□□□4) are as shown below.  
 SGMPH-01, 02, and 04: L-dimension + 6.4 mm, LL-dimension +6.4 mm  
 SGMPH-08 and 15: L-dimension + 6.0 mm, LL-dimension +6.0 mm
- The working point of the SGMPH servomotor radial load is at the position of minus 5 mm from the shaft end.

Units: mm

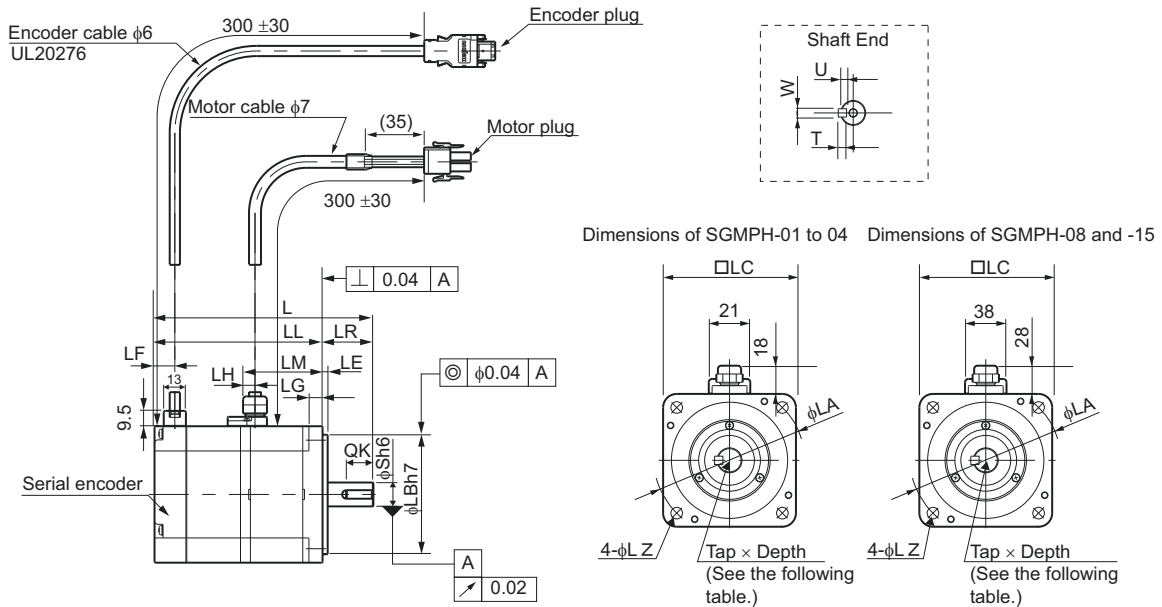
Model SGMPH-	LC	LA	LZ	QK	U	W	T	Approx. Mass kg	Allowable Radial Load N	Allowable Thrust Load N
01□□□21	60	70	5.5	No key				0.7	78	49
01□□□41				14	1.8	3	3			
01□□□61										
02□□□21	80	90	7	No key				1.4	245	68
02□□□41				16	3	5	5			
02□□□61										
04□□□21	80	90	7	No key				2.1	245	68
04□□□41				16	3	5	5			
04□□□61										
08□□□21	120	145	10	No key				4.2	392	147
08□□□41				22	3	5	5			
08□□□61										
15□□□21	120	145	10	No key				6.6	490	147
15□□□41				22	3.5	6	6			
15□□□61										

- Dimensional Tolerances

Units: mm

Model SGMPH-	Shaft-end Dimensions	Flange Face Dimensions
	S	LB
01□□□21	$8 \begin{matrix} 0 \\ -0.009 \end{matrix}$	$50 \begin{matrix} 0 \\ -0.025 \end{matrix}$
01□□□41		
01□□□61		
02□□□21	$14 \begin{matrix} 0 \\ -0.011 \end{matrix}$	$70 \begin{matrix} 0 \\ -0.030 \end{matrix}$
02□□□41		
02□□□61		
04□□□21	$14 \begin{matrix} 0 \\ -0.011 \end{matrix}$	$70 \begin{matrix} 0 \\ -0.030 \end{matrix}$
04□□□41		
04□□□61		
08□□□21	$16 \begin{matrix} 0 \\ -0.011 \end{matrix}$	$110 \begin{matrix} 0 \\ -0.035 \end{matrix}$
08□□□41		
08□□□61		
15□□□21	$19 \begin{matrix} 0 \\ -0.013 \end{matrix}$	$110 \begin{matrix} 0 \\ -0.035 \end{matrix}$
15□□□41		
15□□□61		

### 3.13.2 SGMPH Servomotors (3000 min<sup>-1</sup>) With Brakes



Units: mm

Model SGMPH-	L	LL	LM	LR	LE	LG	LF	S	LB	LH	Tap× Depth
01□□□2□	116	91	42.5	25	3	6	12.5	8	50	10.55	No tap
01□□□4□											M3×6L
01□□□6□											
02□□□2□	128.5	98.5	48.1	30	3	8	11.9	14	70	8.25	No tap
02□□□4□											M5×8L
02□□□6□											
04□□□2□	148.5	118.5	68.1	30	3	8	11.9	14	70	8.25	No tap
04□□□4□											M5×8L
04□□□6□											
08□□□2□	160	120	66.7	40	3.5	10	12.8	16	110	10.5	No tap
08□□□4□											M5×8L
08□□□6□											
15□□□2□	188	148	94.7	40	3.5	10	12.8	19	110	10.5	No tap
15□□□4□											M6×10L
15□□□6□											



- The dimensions for L and LL of a servomotor incorporating an encoder with super-capacitor (model: SGMPH-□□□□4) are as shown below.  
 SGMPH-01, 02, and 04: L-dimension + 6.4 mm, LL-dimension +6.4 mm  
 SGMPH-08 and 15: L-dimension + 6.0 mm, LL-dimension +6.0 mm
- The working point of the SGMPH servomotor radial load is at the position of minus 5 mm from the shaft end.

Units: mm

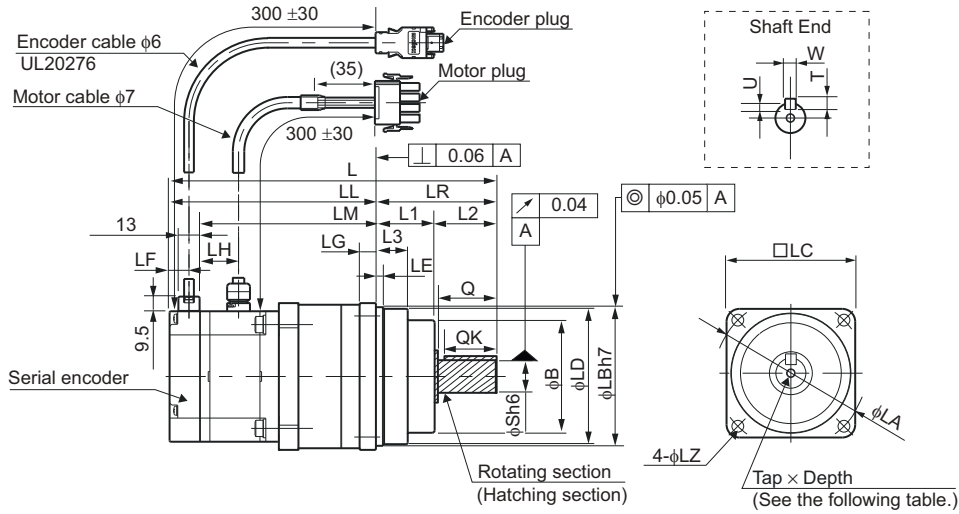
Model SGMPH-	LC	LA	LZ	QK	U	W	T	Approx. Mass kg	Allowable Radial Load N	Allowable Thrust Load N
01□□□2□	60	70	5.5	No key				0.9	78	49
01□□□4□				14	1.8	3	3			
01□□□6□										
02□□□2□	80	90	7	No key				1.9	245	68
02□□□4□				16	3	5	5			
02□□□6□										
04□□□2□	80	90	7	No key				2.6	245	68
04□□□4□				16	3	5	5			
04□□□6□										
08□□□2□	120	145	10	No key				5.7	392	147
08□□□4□				22	3	5	5			
08□□□6□										
15□□□2□	120	145	10	No key				8.1	490	147
15□□□4□				22	3.5	6	6			
15□□□6□										

- Dimensional Tolerances

Units: mm

Model SGMPH-	Shaft-end Dimensions	Flange Face Dimensions
	S	LB
01□□□2□	$8 \begin{matrix} 0 \\ -0.009 \end{matrix}$	$50 \begin{matrix} 0 \\ -0.025 \end{matrix}$
01□□□4□		
01□□□6□		
02□□□2□	$14 \begin{matrix} 0 \\ -0.011 \end{matrix}$	$70 \begin{matrix} 0 \\ -0.030 \end{matrix}$
02□□□4□		
02□□□6□		
04□□□2□	$14 \begin{matrix} 0 \\ -0.011 \end{matrix}$	$70 \begin{matrix} 0 \\ -0.030 \end{matrix}$
04□□□4□		
04□□□6□		
08□□□2□	$16 \begin{matrix} 0 \\ -0.011 \end{matrix}$	$110 \begin{matrix} 0 \\ -0.035 \end{matrix}$
08□□□4□		
08□□□6□		
15□□□2□	$19 \begin{matrix} 0 \\ -0.013 \end{matrix}$	$110 \begin{matrix} 0 \\ -0.035 \end{matrix}$
15□□□4□		
15□□□6□		

### 3.13.3 SGMPH Servomotors (3000 min<sup>-1</sup>) With Standard Backlash Gears and Without Brakes



Units: mm

Model SGMPH-	Gear Ratio	L	LL	LM	LR	LE	LG	B	LD	LB	L1	L2	L3	Q	QK	S
01□□AJ1□1	1/5	177	117	97.5	60	4	9	57	63	65	30	30	14.5	28	25	16
01□□AJ3□1	3/31	177	117	97.5	60	4	9	57	63	65	30	30	14.5	28	25	16
01□□AJC□1	1/21	196	122	102	74	4	10	69	83	85	36	38	19.5	36	32	20
01□□AJ7□1	1/33	196	122	102	74	4	10	69	83	85	36	38	19.5	36	32	20
02□□AJ1□1	1/5	200.5	126.5	107.6	74	4	10	69	83	85	36	38	19.5	36	32	20
02□□AJ3□1	3/31	200.5	126.5	107.6	74	4	10	69	83	85	36	38	19.5	36	32	20
02□□AJC□1	1/21	221	137	118.1	84	4	12	82	98	100	40	44	23	42	36	25
02□□AJ7□1	1/33	221	137	118.1	84	4	12	82	98	100	40	44	23	42	36	25
04□□AJ1□1	1/5	220.5	146.5	127.6	74	4	10	69	83	85	36	38	19.5	36	32	20
04□□AJ3□1	3/31	241	157	138.1	84	4	12	82	98	100	40	44	23	42	36	25
04□□AJC□1	1/21	269	164	145.1	105	5	13	93	112	115	45	60	26.5	58	50	32
04□□AJ7□1	1/33	269	164	145.1	105	5	13	93	112	115	45	60	26.5	58	50	32
08□□AJ1□1	1/5	240.5	156.5	136.7	84	4	12	82	98	100	40	44	23	42	36	25
08□□AJ3□1	3/31	268.5	163.5	143.7	105	5	13	93	112	115	45	60	26.5	58	50	32
08□□AJC□1	1/21	281.5	174.5	154.7	107	10	15	107	134	140	44	63	42	60	45	40
08□□AJ7□1	1/33	281.5	174.5	154.7	107	10	15	107	134	140	44	63	42	60	45	40
15□□AJ1□1	1/5	296.5	191.5	171.7	105	5	13	93	112	115	45	60	26.5	58	50	32
15□□AJ3□1	1/11	309.5	202.5	182.7	107	10	15	107	134	140	44	63	42	60	45	40
15□□AJC□1	1/21	325.5	209	188.7	117	17	16	135	163	165	53	64	51	60	45	45
15□□AJ7□1	1/33	325.5	209	188.7	117	17	16	135	163	165	53	64	51	60	45	45



- The dimensions for L and LL of a servomotor incorporating an encoder with super-capacitor (model: SGMPH-□□□4) are as shown below.  
 SGMPH-01, 02, and 04: L-dimension + 6.4 mm, LL-dimension +6.4 mm  
 SGMPH-08 and 15: L-dimension + 6.0 mm, LL-dimension +6.0 mm
- The working point of the SGMPH servomotor radial load is at the position of minus 5 mm from the shaft end.



Units: mm

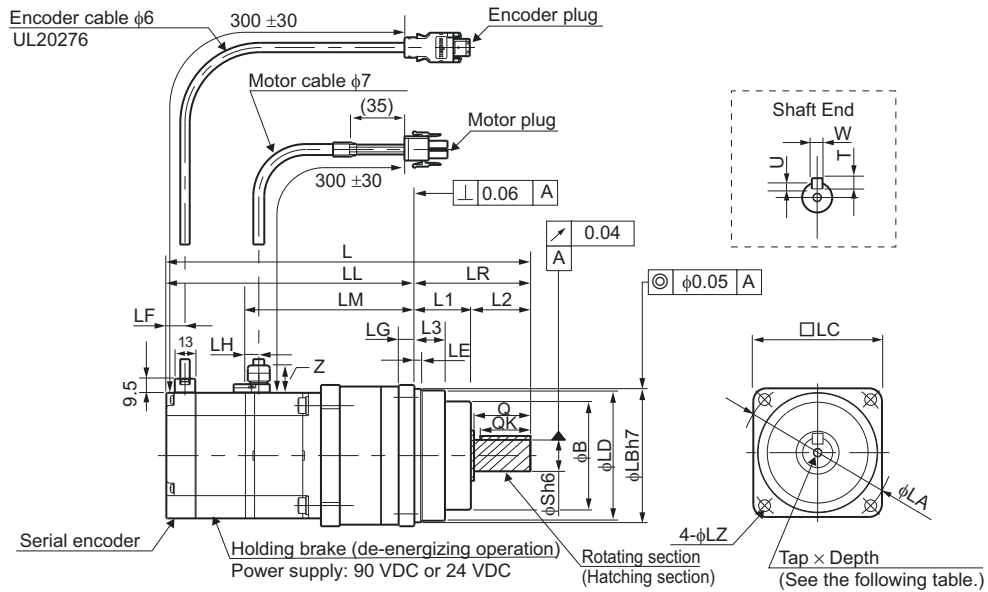
Model SGMPH-	Gear Ratio	LC	LA	LF	LZ	LH	Tap×Depth	U	W	T	Approx. Mass kg	Allowable Radial Load N	Allowable Thrust Load N
01□□AJ1□1	1/5	70	80	12.5	6.6	10.55	M4 × 8L	3	5	5	1.6	175	145
01□□AJ3□1	3/31	70	80	12.5	6.6	10.55	M4 × 8L	3	5	5	1.6	215	
01□□AJC□1	1/21	90	105	12.5	9	10.55	M5 × 10L	3.5	6	6	2.6	455	235
01□□AJ7□1	1/33	90	105	12.5	9	10.55	M5 × 10L	3.5	6	6	2.6	480	
02□□AJ1□1	1/5	90	105	11.9	9	8.25	M5 × 10L	3.5	6	6	3.1	275	235
02□□AJ3□1	3/31	90	105	11.9	9	8.25	M5 × 10L	3.5	6	6	3.1	360	
02□□AJC□1	1/21	105	120	11.9	9	8.25	M6 × 12L	4	8	7	4.7	585	290
02□□AJ7□1	1/33	105	120	11.9	9	8.25	M6 × 12L	4	8	7	4.7	635	
04□□AJ1□1	1/5	90	105	11.9	9	8.25	M5 × 10L	3.5	6	6	4.1	275	235
04□□AJ3□1	3/31	105	120	11.9	9	8.25	M6 × 12L	4	8	7	5.1	460	290
04□□AJC□1	1/21	120	135	11.9	11	8.25	M8 × 16L	5	10	8	6.9	655	310
04□□AJ7□1	1/33	120	135	11.9	11	8.25	M8 × 16L	5	10	8	6.9	755	
08□□AJ1□1	1/5	105	120	12.8	9	10.5	M6 × 12L	4	8	7	7.5	355	290
08□□AJ3□1	3/31	120	135	12.8	11	10.5	M8 × 16L	5	10	8	9.0	525	310
08□□AJC□1	1/21	145	165	12.8	14	10.5	M10 × 20L	5	12	8	14.2	1070	490
08□□AJ7□1	1/33	145	165	12.8	14	10.5	M10 × 20L	5	12	8	14.2	1210	
15□□AJ1□1	1/5	120	135	12.8	11	10.5	M8 × 16L	5	10	8	11.4	400	310
15□□AJ3□1	1/11	145	165	12.8	14	10.5	M10 × 20L	5	12	8	16.6	860	490
15□□AJC□1	1/21	170	190	12.8	14	10.5	M10 × 20L	5.5	14	9	21.6	1690	880
15□□AJ7□1	1/33	170	190	12.8	14	10.5	M10 × 20L	5.5	14	9	21.6		

- Dimensional Tolerances

Units: mm

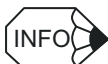
Model SGMPH-	Flange Face Dimensions	Shaft-end Dimensions
	LB	S
01□□AJ1□1	65 <sup>0</sup> -0.030	16 <sup>0</sup> -0.011
01□□AJ3□1	65 <sup>0</sup> -0.030	16 <sup>0</sup> -0.011
01□□AJC□1	85 <sup>0</sup> -0.035	20 <sup>0</sup> -0.013
01□□AJ7□1	85 <sup>0</sup> -0.035	20 <sup>0</sup> -0.013
02□□AJ1□1	85 <sup>0</sup> -0.035	20 <sup>0</sup> -0.013
02□□AJ3□1	85 <sup>0</sup> -0.035	20 <sup>0</sup> -0.013
02□□AJC□1	100 <sup>0</sup> -0.035	25 <sup>0</sup> -0.013
02□□AJ7□1	100 <sup>0</sup> -0.035	25 <sup>0</sup> -0.013
04□□AJ1□1	85 <sup>0</sup> -0.035	20 <sup>0</sup> -0.013
04□□AJ3□1	100 <sup>0</sup> -0.035	25 <sup>0</sup> -0.013
04□□AJC□1	115 <sup>0</sup> -0.035	32 <sup>0</sup> -0.016
04□□AJ7□1	115 <sup>0</sup> -0.035	32 <sup>0</sup> -0.016
08□□AJ1□1	100 <sup>0</sup> -0.035	25 <sup>0</sup> -0.013
08□□AJ3□1	115 <sup>0</sup> -0.035	32 <sup>0</sup> -0.016
08□□AJC□1	140 <sup>0</sup> -0.040	40 <sup>0</sup> -0.016
08□□AJ7□1	140 <sup>0</sup> -0.040	40 <sup>0</sup> -0.016
15□□AJ1□1	115 <sup>0</sup> -0.035	32 <sup>0</sup> -0.016
15□□AJ3□1	140 <sup>0</sup> -0.040	40 <sup>0</sup> -0.016
15□□AJC□1	165 <sup>0</sup> -0.040	45 <sup>0</sup> -0.016
15□□AJ7□1	165 <sup>0</sup> -0.040	45 <sup>0</sup> -0.016

### 3.13.4 SGMPH Servomotors (3000 min<sup>-1</sup>) With Standard Backlash Gears and Brakes



Units: mm

Model SGMPH-	Gear Ratio	L	LL	LM	LR	LE	LG	B	LD	LB	L1	L2	L3	Q	QK	S	Z
01□□AJ1□□	1/5	206	146	92.5	60	4	9	57	63	65	30	30	14.5	28	25	16	18
01□□AJ3□□	3/31	206	146	92.5	60	4	9	57	63	65	30	30	14.5	28	25	16	
01□□AJC□□	1/21	224.5	150.5	102	74	4	10	69	83	85	36	38	19.5	36	32	20	
01□□AJ7□□	1/33	224.5	150.5	102	74	4	10	69	83	85	36	38	19.5	36	32	20	
02□□AJ1□□	1/5	232	158	107.6	74	4	10	69	83	85	36	38	19.5	36	32	20	
02□□AJ3□□	3/31	232	158	107.6	74	4	10	69	83	85	36	38	19.5	36	32	20	
02□□AJC□□	1/21	252.5	168.5	118.1	84	4	12	82	98	100	40	44	23	42	36	25	
02□□AJ7□□	1/33	252.5	168.5	118.1	84	4	12	82	98	100	40	44	23	42	36	25	
04□□AJ1□□	1/5	252	178	127.6	74	4	10	69	83	85	36	38	19.5	36	32	20	
04□□AJ3□□	3/31	272.5	188.5	138.1	84	4	12	82	98	100	40	44	23	42	36	25	
04□□AJC□□	1/21	300.5	195.5	245.1	105	5	13	93	112	115	45	60	26.5	58	50	32	
04□□AJ7□□	1/33	300.5	195.5	245.1	105	5	13	93	112	115	45	60	26.5	58	50	32	
08□□AJ1□□	1/5	274	190	136.7	84	4	12	82	98	100	40	44	23	42	36	25	28
08□□AJ3□□	3/31	302	197	143.7	105	5	13	93	112	115	45	60	26.5	58	50	32	
08□□AJC□□	1/21	315	208	154.7	107	10	15	107	134	140	44	63	42	60	45	40	
08□□AJ7□□	1/33	315	208	154.7	107	10	15	107	134	140	44	63	42	60	45	40	
15□□AJ1□□	1/5	330	225	171.7	105	5	13	93	112	115	45	60	26.5	58	50	32	
15□□AJ3□□	1/11	343	236	182.7	107	10	15	107	134	140	44	63	42	60	45	40	
15□□AJC□□	1/21	359	242	188.7	117	17	16	135	163	165	53	64	51	60	45	45	
15□□AJ7□□	1/33	359	242	188.7	117	17	16	135	163	165	53	64	51	60	45	45	



- The dimensions for L and LL of a servomotor incorporating an encoder with super-capacitor (model: SGMPH-□□□□4) are as shown below.  
 SGMPH-01, 02, and 04: L-dimension + 6.4 mm, LL-dimension +6.4 mm  
 SGMPH-08 and 15: L-dimension + 6.0 mm, LL-dimension +6.0 mm
- The working point of the SGMPH servomotor radial load is at the position of minus 5 mm from the shaft end.

3.13.4 SGMPH Servomotors (3000 min<sup>-1</sup>) With Standard Backlash Gears and Brakes

Units: mm

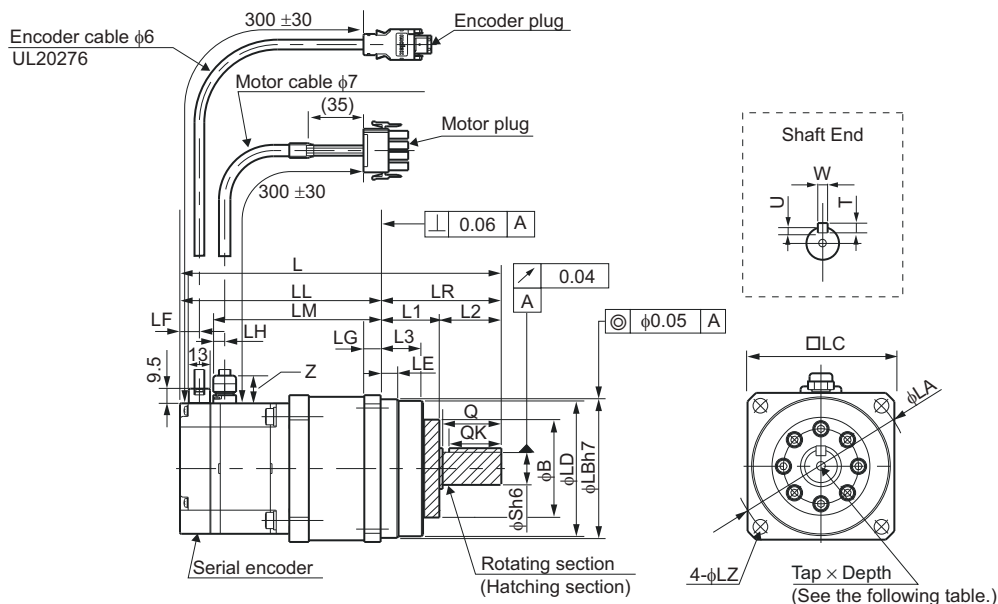
Model SGMPH-	Gear Ratio	LC	LA	LF	LZ	LH	Tap×Depth	U	W	T	Approx. Mass kg	Allowable Radial Load N	Allowable Thrust Load N
01□□AJ1□□	1/5	70	80	12.5	6.6	10.55	M4×8L	3	5	5	1.8	175	145
01□□AJ3□□	3/31	70	80	12.5	6.6	10.55	M4×8L	3	5	5	1.8	215	
01□□AJC□□	1/21	90	105	12.5	9	10.55	M5×10L	3.5	6	6	2.8	455	235
01□□AJ7□□	1/33	90	105	12.5	9	10.55	M5×10L	3.5	6	6	2.8	480	
02□□AJ1□□	1/5	90	105	11.9	9	8.25	M5×10L	3.5	6	6	3.4	275	235
02□□AJ3□□	3/31	90	105	11.9	9	8.25	M5×10L	3.5	6	6	3.4	360	
02□□AJC□□	1/21	105	120	11.9	9	8.25	M6×12L	4	8	7	5.2	585	290
02□□AJ7□□	1/33	105	120	11.9	9	8.25	M6×12L	4	8	7	5.2	635	
04□□AJ1□□	1/5	90	105	11.9	9	8.25	M5×10L	3.5	6	6	4.6	275	235
04□□AJ3□□	3/31	105	120	11.9	9	8.25	M6×12L	4	8	7	5.6	460	290
04□□AJC□□	1/21	120	120	11.9	11	8.25	M8×16L	5	10	8	7.4	655	310
04□□AJ7□□	1/33	120	105	11.9	11	8.25	M8×16L	5	10	8	7.4	755	
08□□AJ1□□	1/5	105	120	12.8	9	10.5	M6×12L	4	8	7	9.0	355	290
08□□AJ3□□	3/31	120	135	12.8	11	10.5	M8×16L	5	10	8	10.5	525	310
08□□AJC□□	1/21	145	135	12.8	14	10.5	M10×20L	5	12	8	15.7	1070	490
08□□AJ7□□	1/33	145	120	12.8	14	10.5	M10×20L	5	12	8	15.7	1210	
15□□AJ1□□	1/5	120	135	12.8	11	10.5	M8×16L	5	10	8	12.9	400	310
15□□AJ3□□	1/11	145	165	12.8	14	10.5	M10×20L	5	12	8	18.1	860	490
15□□AJC□□	1/21	170	190	12.8	14	10.5	M10×20L	5.5	14	9	23.1	1690	880
15□□AJ7□□	1/33	170	190	12.8	14	10.5	M10×20L	5.5	14	9	23.1		

- Dimensional Tolerances

Units: mm

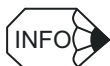
Model SGMPH-	Flange Face Dimensions	Shaft-end Dimensions
	LB	S
01□□AJ1□□	65 <sup>0</sup> -0.030	16 <sup>0</sup> -0.018
01□□AJ3□□	65 <sup>0</sup> -0.030	16 <sup>0</sup> -0.018
01□□AJC□□	85 <sup>0</sup> -0.035	20 <sup>0</sup> -0.021
01□□AJ7□□	85 <sup>0</sup> -0.035	20 <sup>0</sup> -0.021
02□□AJ1□□	85 <sup>0</sup> -0.035	20 <sup>0</sup> -0.021
02□□AJ3□□	85 <sup>0</sup> -0.035	20 <sup>0</sup> -0.021
02□□AJC□□	100 <sup>0</sup> -0.035	25 <sup>0</sup> -0.021
02□□AJ7□□	100 <sup>0</sup> -0.035	25 <sup>0</sup> -0.021
04□□AJ1□□	85 <sup>0</sup> -0.035	20 <sup>0</sup> -0.021
04□□AJ3□□	100 <sup>0</sup> -0.035	25 <sup>0</sup> -0.021
04□□AJC□□	115 <sup>0</sup> -0.035	32 <sup>0</sup> -0.025
04□□AJ7□□	115 <sup>0</sup> -0.035	32 <sup>0</sup> -0.025
08□□AJ1□□	100 <sup>0</sup> -0.035	25 <sup>0</sup> -0.021
08□□AJ3□□	115 <sup>0</sup> -0.035	32 <sup>0</sup> -0.025
08□□AJC□□	140 <sup>0</sup> -0.040	40 <sup>0</sup> -0.025
08□□AJ7□□	140 <sup>0</sup> -0.040	40 <sup>0</sup> -0.025
15□□AJ1□□	115 <sup>0</sup> -0.035	32 <sup>0</sup> -0.025
15□□AJ3□□	140 <sup>0</sup> -0.040	40 <sup>0</sup> -0.025
15□□AJC□□	165 <sup>0</sup> -0.040	45 <sup>0</sup> -0.025
15□□AJ7□□	165 <sup>0</sup> -0.040	45 <sup>0</sup> -0.025

### 3.13.5 SGMPH Servomotors (3000 min<sup>-1</sup>) With Low-backlash Gears



Units: mm

Model SGMPH-	Gear Ratio	L	LL	LM	LR	LE	LG	B	LD	LB	L1	L2	L3	Q	QK	S	Z
01□□AH1□1	1/5	168	108	88.5	60	8	9	40	64.5	65	30	30	21	28	25	16	18
01□□AHB□1	1/11	168	108	88.5	60	8	9	40	64.5	65	30	30	21	28	25	16	
01□□AHC□1	1/21	191	117	97.5	74	7.5	10	59	84	85	36	38	26	36	32	20	
01□□AH7□1	1/33	191	117	97.5	74	7.5	10	59	84	85	36	38	26	36	32	20	
02□□AH1□1	1/5	197	123	104.1	74	7.5	10	59	84	85	36	38	26	36	32	20	
02□□AHB□1	1/11	197	123	104.1	74	7.5	10	59	84	85	36	38	26	36	32	20	
02□□AHC□1	1/21	215	131	112.1	84	12	12	59	96	100	40	44	29	42	36	25	
02□□AH7□1	1/33	215	131	112.1	84	12	12	59	96	100	40	44	29	42	36	25	
04□□AH1□1	1/5	217	143	124.1	74	7.5	10	59	84	85	36	38	26	36	32	20	18
04□□AHB□1	1/11	235	151	132.1	84	12	12	59	96	100	40	44	29	42	36	25	
04□□AHC□1	1/21	263	158	139.1	105	14	13	59	112	115	45	60	33	58	50	32	
04□□AH7□1	1/33	264	159	140.1	105	12.5	13	84	114	115	45	60	33	58	50	32	
08□□AH1□1	1/5	234.5	150.5	130.7	84	12	12	59	96	100	40	44	29	42	36	25	28
08□□AHB□1	1/11	263.5	158.5	138.7	105	14	13	59	112	115	45	60	33	58	50	32	
08□□AHC□1	1/21	316.5	174.5	154.7	142	10	15	84	134	140	57	85	40	82	70	40	
08□□AH7□1	1/33	316.5	174.5	154.7	142	10	15	84	134	140	57	85	40	82	70	40	
15□□AH1□1	1/5	291.5	186.5	166.7	105	12.5	13	84	114	115	45	60	33	58	50	32	
15□□AHB□1	1/11	344.5	202.5	182.7	142	10	15	84	134	140	57	85	40	82	70	40	
15□□AGC□1	1/21	364.5	208.5	188.7	156	16	16	135	163	165	70	86	51	82	70	45	
15□□AG7□1	1/33	364.5	208.5	188.7	156	16	16	135	163	165	70	86	51	82	70	45	



1. The dimensions for L and LL of a servomotor incorporating an encoder with super-capacitor (model: SGMPH-□□□4) are as shown below.

SGMPH-01, 02, and 04: L-dimension + 6.4 mm, LL-dimension +6.4 mm

SGMPH-08 and 15: L-dimension + 6.0 mm, LL-dimension +6.0 mm

2. The working point of the SGMPH servomotor radial load is at the position of minus 5 mm from the shaft end.

Units: mm

Model SGMPH-	Gear Ratio	LC	LA	LZ	LF	LH	Tap×Depth	U	W	T	Approx. Mass kg	Allowable Radia Load N	Allowable Thrust Load N
01□□AH1□1	1/5	70	80	6.6	12.5	10.5	M4 × 8L	3	5	5	1.5	167	147
01□□AHB□1	1/11	70	80	6.6	12.5	10.5	M4 × 8L	3	5	5	1.5	216	
01□□AHC□1	1/21	90	105	9	12.5	10.5	M5 × 10L	3.5	6	6	3.0	392	235
01□□AH7□1	1/33	90	105	9	12.5	10.5	M5 × 10L	3.5	6	6	3.0	431	
02□□AH1□1	1/5	90	105	9	11.9	8.5	M5 × 10L	3.5	6	6	3.5	245	235
02□□AHB□1	1/11	90	105	9	11.9	8.5	M5 × 10L	3.5	6	6	3.8	323	
02□□AHC□1	1/21	105	120	9	11.9	8.5	M6 × 12L	4	8	7	4.1	549	294
02□□AH7□1	1/33	105	120	9	11.9	8.5	M6 × 12L	4	8	7	4.1	608	
04□□AH1□1	1/5	90	105	9	11.9	8.5	M5 × 10L	3.5	6	6	4.2	245	235
04□□AHB□1	1/11	105	120	9	11.9	8.5	M6 × 12L	4	8	7	4.8	441	294
04□□AHC□1	1/21	120	135	11	11.9	8.5	M8 × 16L	5	10	8	5.2	568	314
04□□AH7□1	1/33	120	135	11	11.9	8.5	M8 × 16L	5	10	8	7.7	657	
08□□AH1□1	1/5	105	120	9	12.8	10.5	M6 × 12L	4	8	7	6.9	343	294
08□□AHB□1	1/11	120	135	11	12.8	10.5	M8 × 16L	5	10	8	8.0	451	314
08□□AHC□1	1/21	145	165	14	12.8	10.5	M10 × 20L	5	12	8	11.0	813	490
08□□AH7□1	1/33	145	165	14	12.8	10.5	M10 × 20L	5	12	8	11.0	921	
15□□AH1□1	1/5	120	135	11	12.8	10.5	M8 × 16L	5	10	8	11.6	353	314
15□□AHB□1	1/11	145	165	14	12.8	10.5	M10 × 20L	5	12	8	13.7	647	
15□□AGC□1	1/21	170	190	14	12.8	10.5	M10 × 20L	5.5	14	9	23.6	1250	882
15□□AG7□1	1/33	170	190	14	12.8	10.5	M10 × 20L	5.5	14	9	23.6		

- Dimensional Tolerances

Units: mm

Model SGMPH-	Flange Face Dimensions	Shaft-end Dimensions
	LB	S
01□□AH1□1	65 <sup>0</sup> -0.030	16 <sup>0</sup> -0.018
01□□AHB□1	65 <sup>0</sup> -0.030	16 <sup>0</sup> -0.018
01□□AHC□1	85 <sup>0</sup> -0.035	20 <sup>0</sup> -0.021
01□□AH7□1	85 <sup>0</sup> -0.035	20 <sup>0</sup> -0.021
02□□AH1□1	85 <sup>0</sup> -0.035	20 <sup>0</sup> -0.021
02□□AHB□1	85 <sup>0</sup> -0.035	20 <sup>0</sup> -0.021
02□□AHC□1	100 <sup>0</sup> -0.035	25 <sup>0</sup> -0.021
02□□AH7□1	100 <sup>0</sup> -0.035	25 <sup>0</sup> -0.021
04□□AH1□1	85 <sup>0</sup> -0.035	20 <sup>0</sup> -0.021
04□□AHB□1	100 <sup>0</sup> -0.035	25 <sup>0</sup> -0.021
04□□AHC□1	115 <sup>0</sup> -0.035	32 <sup>0</sup> -0.025
04□□AH7□1	115 <sup>0</sup> -0.035	32 <sup>0</sup> -0.025
08□□AH1□1	100 <sup>0</sup> -0.035	25 <sup>0</sup> -0.021
08□□AHB□1	115 <sup>0</sup> -0.035	32 <sup>0</sup> -0.025
08□□AHC□1	140 <sup>0</sup> -0.040	40 <sup>0</sup> -0.025
08□□AH7□1	140 <sup>0</sup> -0.040	40 <sup>0</sup> -0.025
15□□AH1□1	115 <sup>0</sup> -0.035	32 <sup>0</sup> -0.025
15□□AHB□1	140 <sup>0</sup> -0.040	40 <sup>0</sup> -0.025
15□□AGC□1	165 <sup>0</sup> -0.040	45 <sup>0</sup> -0.025
15□□AG7□1	165 <sup>0</sup> -0.040	45 <sup>0</sup> -0.025



### 3.14 Dimensional Drawing of Output Shafts With Oil Seals for SGMAH and SGMPH Servomotors

For the SGMAH and SGMPH servomotors with oil seals, the external dimensions of output shafts differ as shown below.

#### 3.14.1 SGMAH Servomotors

Model	SGMAH-A3, A5, 01	SGMAH-02, 04	SGMAH-08
Capacity	30 W, 50 W, 100 W	200, 400 W	750 W
Dimensions of Output Shaft mm	LO	7.5	10
	DO	φ28	φ48
	QK	14	14
	LB	φ30 <sup>0</sup> <sub>-0.021</sub>	φ50 <sup>0</sup> <sub>-0.025</sub>
Dimensional Drawing			

#### 3.14.2 SGMPH Servomotors

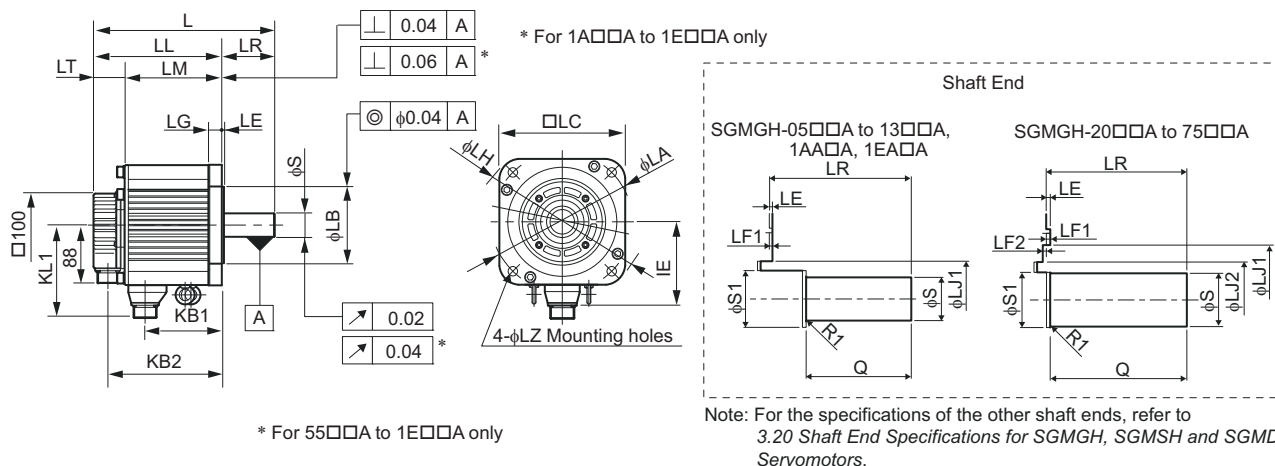
Model	SGMPH-01	SGMPH-02, 04	SGMPH-08	SGMPH-15	
Capacity	100 W	200 W, 400 W	750 W	1500 W	
Dimensions of Output Shaft mm	LO	7	10.5	10.5	
	DO	φ39	φ49	φ77	φ77
	QK	14	16	22	22
	LB	φ50 <sup>0</sup> <sub>-0.025</sub>	φ70 <sup>0</sup> <sub>-0.030</sub>	φ110 <sup>0</sup> <sub>-0.035</sub>	φ110 <sup>0</sup> <sub>-0.035</sub>
Dimensional Drawing					

3.15.1 SGMGH Servomotors (1500 min<sup>-1</sup>) Without Gears and Brakes

### 3.15 Dimensional Drawings of SGMGH Servomotors (1500 min<sup>-1</sup>)

#### 3.15.1 SGMGH Servomotors (1500 min<sup>-1</sup>) Without Gears and Brakes

Models with oil seals are of the same configuration.



Units: mm

Model SGMGH-	L	LL	LM	LR	LT	KB1	KB2	IE	KL1	Shaft-end Dimensions			Approx. Mass kg	Allowable Radial Load N	Allowable Thrust Load N
										S	S1	Q			
05A□A21	196	138	92	58	46	65	117	-	109	19 <sup>0</sup> <sub>-0.013</sub>	30	40	5.5	490	98
09A□A21	219	161	115	58	46	88	140	-	109	19 <sup>0</sup> <sub>-0.013</sub>	30	40	7.6	490	98
13A□A21	243	185	139	58	46	112	164	-	109	22 <sup>0</sup> <sub>-0.013</sub>	30	40	9.6	686	343
20A□A21	245	166	119	79	47	89	144	-	140	35 <sup>+0.01</sup> <sub>0</sub>	45	76	14	1176	490
30A□A21	271	192	145	79	47	115	170	-	140	35 <sup>+0.01</sup> <sub>0</sub>	45	76	18	1470	490
44A□A21	305	226	179	79	47	149	204	-	140	35 <sup>+0.01</sup> <sub>0</sub>	45	76	23	1470	490
55A□A21	373	260	213	113	47	174	238	123	150	42 <sup>0</sup> <sub>-0.016</sub>	45	110	30	1764	588
75A□A21	447	334	287	113	47	248	312	123	150	42 <sup>0</sup> <sub>-0.016</sub>	45	110	40	1764	588
1AA□A21	454	338	291	116	47	251	316	142	168	42 <sup>0</sup> <sub>-0.016</sub>	45	110	57.5	1764	588
1EA□A21	573	457	409	116	48	343	435	150	168	55 <sup>+0.030</sup> <sub>+0.011</sub>	65	110	86	4998	2156

Units: mm

Model SGMGH-	Flange Face Dimensions										
	LA	LB	LC	LE	LF1	LF2	LG	LH	LJ1	LJ2	LZ
05A□A21	145	110 <sup>0</sup> <sub>-0.035</sub>	130	6	6	-	12	165	45	-	9
09A□A21	145	110 <sup>0</sup> <sub>-0.035</sub>	130	6	6	-	12	165	45	-	9
13A□A21	145	110 <sup>0</sup> <sub>-0.035</sub>	130	6	6	-	12	165	45	-	9
20A□A21	200	114.3 <sup>0</sup> <sub>-0.025</sub>	180	3.2	3	0.5	18	230			

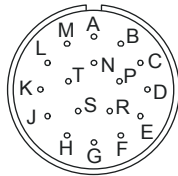
www.nicsanat.com  
021-87700210



Units: mm (Cont'd)

Model SGMGH-	Flange Face Dimensions										
	LA	LB	LC	LE	LF1	LF2	LG	LH	LJ1	LJ2	LZ
30A□A21	200	114.3 <sup>0</sup> <sub>-0.025</sub>	180	3.2	3	0.5	18	230	76	62	13.5
44A□A21	200	114.3 <sup>0</sup> <sub>-0.025</sub>	180	3.2	3	0.5	18	230	76	62	13.5
55A□A21	200	114.3 <sup>0</sup> <sub>-0.025</sub>	180	3.2	3	0.5	18	230	76	62	13.5
75A□A21	200	114.3 <sup>0</sup> <sub>-0.025</sub>	180	3.2	3	0.5	18	230	76	62	13.5
1AA□A21	235	200 <sup>0</sup> <sub>-0.046</sub>	220	4	4	-	18	270	62	-	13.5
1EA□A21	235	200 <sup>0</sup> <sub>-0.046</sub>	220	4	4	-	20	270	85	-	13.5

• Cable Specifications for Detector Connectors  
(17-bit Encoder)

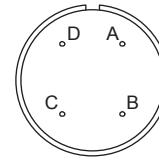


Receptacle: MS3102A20-29P  
Applicable plug (purchased by the customer)  
Plug: MS3108B20-29S  
Cable clamp: MS3057-12A

With an Absolute Encoder

A	-	K	-
B	-	L	-
C	DATA+	M	-
D	DATA-	N	-
E	-	P	-
F	-	R	-
G	0V	S	BATT-
H	+5VDC	T	BATT+
J	FG (Frame ground)	-	-

• Cable Specifications for Servomotor  
Connectors



A	Phase U
B	Phase V
C	Phase W
D	FG (Frame ground)

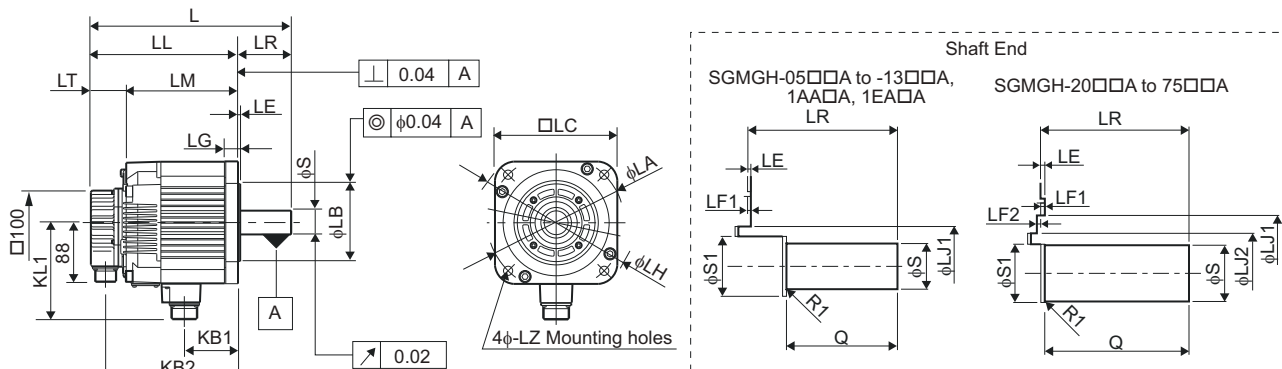
With an Incremental Encoder

A	-	K	-
B	-	L	-
C	DATA+	M	-
D	DATA-	N	-
E	-	P	-
F	-	R	-
G	0V	S	-
H	+5VDC	T	-
J	FG (Frame ground)	-	-

### 3.15.2 SGMGH Servomotors (1500 min<sup>-1</sup>) 200-V Specifications Without Gears and With Brakes

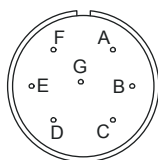
#### (1) 450 W to 4.4 kW

Models with oil seals are of the same configuration.



Note: For the specifications of the other shaft ends, refer to 3.20 Shaft End Specifications for SGMGH, SGMSh and SGMdH Servomotors.

#### • Cable Specifications for Servomotor Connectors



A	Phase U	E	Brake terminal
B	Phase V	F	Brake terminal
C	Phase W	G	-
D	FG (Frame ground)	-	-

Units: mm

Model SGMGH-	L	LL	LM	LR	LT	KB 1	KB 2	KL1	Shaft-end Dimensions			Approx. Mass kg	Allowable Radial Load N	Allowable Thrust Load N
									S	S1	Q			
05A□A2□	234	176	130	58	46	56	154	120	19 <sup>0</sup> <sub>-0.013</sub>	30	40	7.5	490	98
09A□A2□	257	199	153	58	46	79	177	120	19 <sup>0</sup> <sub>-0.013</sub>	30	40	9.6	490	98
13A□A2□	281	223	177	58	46	103	201	120	22 <sup>0</sup> <sub>-0.013</sub>	30	40	12	686	343
20A□A2□	296	217	169	79	48	79	195	146	35 <sup>+0.01</sup> <sub>0</sub>	45	76	19	1176	490
30A□A2□	322	243	195	79	48	105	221	146	35 <sup>+0.01</sup> <sub>0</sub>	45	76	23.5	1470	490
44A□A2□	356	277	229	79	48	139	255	146	35 <sup>+0.01</sup> <sub>0</sub>	45	76	28.5	1470	490

Units: mm

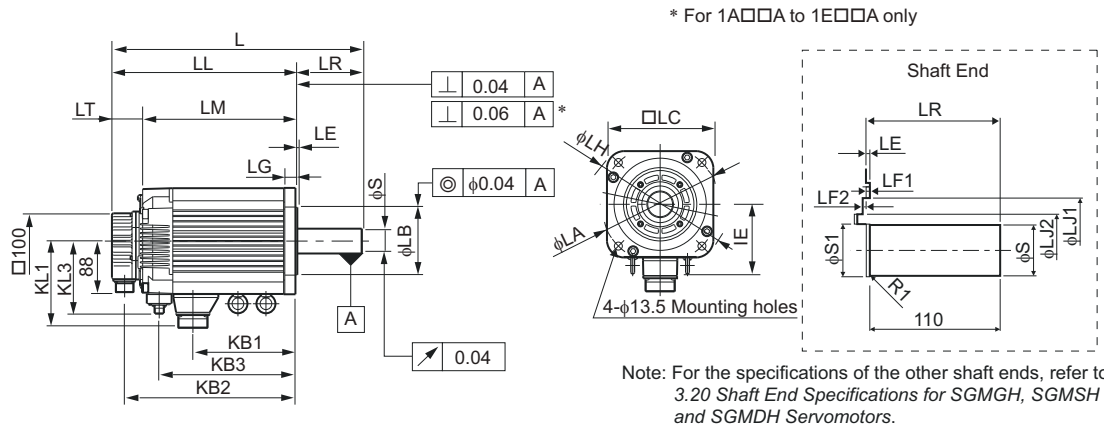
Model SGMGH-	Flange Face Dimensions										
	LA	LB	LC	LE	LF1	LF2	LG	LH	LJ1	LJ2	LZ
05A□A2□	145	110 <sup>0</sup> <sub>-0.035</sub>	130	6	6	-	12	165	45	-	9
09A□A2□	145	110 <sup>0</sup> <sub>-0.035</sub>	130	6	6	-	12	165	45	-	9
13A□A2□	145	110 <sup>0</sup> <sub>-0.035</sub>	130	6	6	-	12	165	45	-	9
20A□A2□	200	114.3 <sup>0</sup> <sub>-0.025</sub>	180	3.2	3	0.5	18	230	76	62	13.5
30A□A2□	200	114.3 <sup>0</sup> <sub>-0.025</sub>	180	3.2	3	0.5	18	230	76	62	13.5
44A□A2□	200	114.3 <sup>0</sup> <sub>-0.025</sub>	180	3.2	3	0.5	18	230	76	62	13.5

www.nicsanat.com  
021-87700210

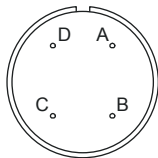


(2) 5.5kW to 15kW

Models with oil seals are of the same configuration.

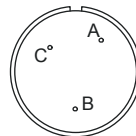


• Cable Specifications for Servomotor Connectors



A	Phase U
B	Phase V
C	Phase W
D	FG (Frame ground)

• Cable Specifications for Brake Connectors



A	Brake terminal
B	Brake terminal
C	-

Units: mm

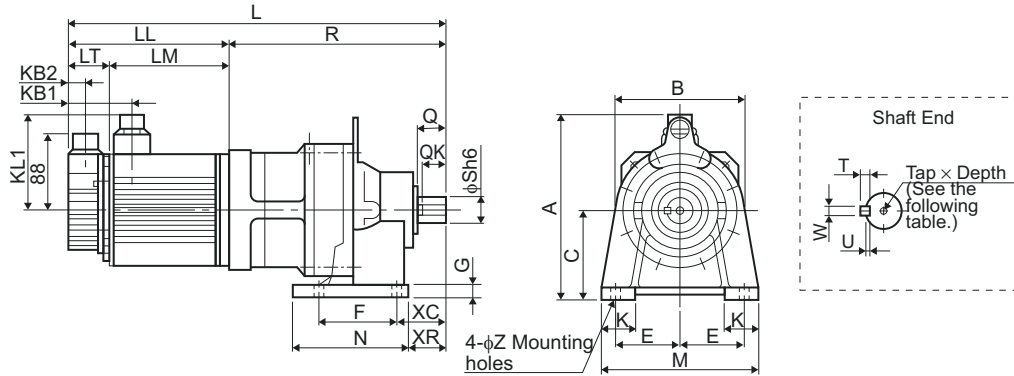
Model SGMGH-	L	LL	LM	LR	LT	KB1	KB2	KB3	IE	KL1	KL3	Shaft-end Dimensions		Approx. Mass kg
												S	S1	
55A□A2□	424	311	263	113	48	174	289	231	123	150	123	42 <sup>0</sup> <sub>-0.016</sub>	45	35
75A□A2□	498	385	337	113	48	248	363	305	123	150	123	42 <sup>0</sup> <sub>-0.016</sub>	45	45.5
1AA□A2□	499	383	340	116	43	258	362	315	142	168	142	42 <sup>0</sup> <sub>-0.016</sub>	45	65
1EA□A2□	635	519	471	116	48	343	497	415	150	168	142	55 <sup>+0.030</sup> <sub>+0.011</sub>	65	100

Units: mm

Model SGMGH-	Flange Face Dimensions										Allowable Radial Load N	Allowable Thrust Load N
	LA	LB	LC	LE	LF1	LF2	LG	LH	LJ1	LJ2		
55A□A2□	200	114.3 <sup>0</sup> <sub>-0.025</sub>	180	3.2	3	0.5	18	230	76	62	1764	588
75A□A2□	200	114.3 <sup>0</sup> <sub>-0.025</sub>	180	3.2	3	0.5	18	230	76	62	1764	588
1AA□A2□	235	200 <sup>0</sup> <sub>-0.046</sub>	220	4	4	-	18	270	62	-	1764	588
1EA□A2□	235	200 <sup>0</sup> <sub>-0.046</sub>	220	4	4	-	20	270	85	-	4998	2156

### 3.15.3 SGMGH Servomotors (1500 min<sup>-1</sup>) With Standard Backlash Gears and Without Brakes (Foot-mounted Type)

#### (1) Grease Lubricating Type



Units: mm

Model SGMGH-	Gear Model	Gear Ratio	L	LL	LM	LT	KB1	KB2	KL1	R	A	B	C*	Shaft Center Allowable Radial Load N
05P□AEA6	CNHX-6090	1/6	380	138	94	44	73	21	109	242	209	152	100	2830
05P□AEB6	CNHX-6090	1/11	380	138	94	44	73	21	109	242	209	152	100	3340
05P□AEC6	CNHX-6100	1/21	394	138	94	44	73	21	109	256	209	152	100	5400
05P□AE76	CNHX-6100	1/29	394	138	94	44	73	21	109	256	209	152	100	5400
09P□AEA6	CNHX-6100	1/6	417	161	117	44	73	21	109	256	209	152	100	4110
09P□AEB6	CNHX-6100	1/11	417	161	117	44	73	21	109	256	209	152	100	5220
09P□AEC6	CNHX-6120	1/21	449	161	117	44	73	21	109	288	257	204	120	8240
09P□AE76	CNHX-6120	1/29	449	161	117	44	73	21	109	288	257	204	120	8980
13P□AEA6	CNHX-6100	1/6	441	185	141	44	73	21	109	256	209	152	100	4090
13P□AEB6	CNHX-6120	1/11	473	185	141	44	73	21	109	288	257	204	120	6650
13P□AEC6	CNHX-6125	1/21	473	185	141	44	73	21	109	288	257	204	120	8190
20P□AEA6	CNHX-6120	1/6	477	166	121	45	77	22	140	311	260	204	120	5220
20P□AEB6	CNHX-6125	1/11	477	166	121	45	77	22	140	311	260	204	120	6620
30P□AEA6	CNHX-6120	1/6	503	192	147	45	77	22	140	311	260	204	120	5180
30P□AEB6	CNHX-6125	1/11	503	192	147	45	77	22	140	311	260	204	120	6560

\* The tolerances for all models are  $\begin{matrix} 0 \\ -0.5 \end{matrix}$ .

Model SGMGH-	Gear Ratio	Foot-mounted Dimensions mm									Shaft-end Dimensions mm						Approx. Mass kg	
		E	F	G	K	M	N	XR	XC	Z	Q	QK	S	T	U	W		Tap × Depth
05P□AEA6	1/6	75	90	12	65	180	135	45	60	11	35	32	28	7	4	8	M8 × 20	20.7
05P□AEB6	1/11	75	90	12	65	180	135	45	60	11	35	32	28	7	4	8	M8 × 20	20.7
05P□AEC6	1/21	75	90	12	40	180	135	45	60	11	35	32	28	7	4	8	M8 × 20	22.7
05P□AE76	1/29	75	90	12	40	180	135	45	60	11	35	32	28	7	4	8	M8 × 20	22.7
09P□AEA6	1/6	75	90	12	40	180	135	45	60	11	35	32	28	7	4	8	M8 × 20	24.6
09P□AEB6	1/11	75	90	12	40	180	135	45	60	11	35	32	28	7	4	8	M8 × 20	24.6
09P□AEC6	1/21	95	115	15	55	230	155	62	82	14	55	50	38	8	5	10	M8 × 20	34.6
09P□AE76	1/29	95	115	15	55	230	155	62	82	14	55	50	38	8	5	10	M8 × 20	34.6
13P□AEA6	1/6	75	90	12	40	180	135	45	60	11	35	32	28	7	4	8	M8 × 20	26.6
13P□AEB6	1/11	95	115	15	55	230	155	62	82	14	55	50	38	8	5	10	M8 × 20	36.6
13P□AEC6	1/21	95	115	15	55	230	155	62	82	14	55	50	38	8	5	10	M8 × 20	36.6
20P□AEA6	1/6	95	115	15	55	230	155	62	82	14	55	50	38	8	5	10	M8 × 20	43
20P□AEB6	1/11	95	115	15	55	230	155	62	82	14	55	50	38	8	5	10	M8 × 20	43
30P□AEA6	1/6	95	115	15	55	230	155	62	82	14	55	50	38	8	5	10	M8 × 20	47
30P□AEB6	1/11	95	115	15	55	230	155	62	82	14	55	50	38	8	5	10	M8 × 20	47

- Dimensional Tolerances

Units: mm

Model SGMGH-	Shaft-end Dimensions
	S
05P□AEA6	28 <sup>0</sup> -0.013
05P□AEB6	28 <sup>0</sup> -0.013
05P□AEC6	28 <sup>0</sup> -0.013
05P□AE76	28 <sup>0</sup> -0.013
09P□AEA6	28 <sup>0</sup> -0.013
09P□AEB6	28 <sup>0</sup> -0.013
09P□AEC6	38 <sup>0</sup> -0.016
09P□AE76	38 <sup>0</sup> -0.016
13P□AEA6	28 <sup>0</sup> -0.013
13P□AEB6	38 <sup>0</sup> -0.016
13P□AEC6	38 <sup>0</sup> -0.016
20P□AEA6	38 <sup>0</sup> -0.016
20P□AEB6	38 <sup>0</sup> -0.016
30P□AEA6	38 <sup>0</sup> -0.016
30P□AEB6	38 <sup>0</sup> -0.016



- Lubrication

- Grease lubricating type (frame numbers: 6090 to 6125)

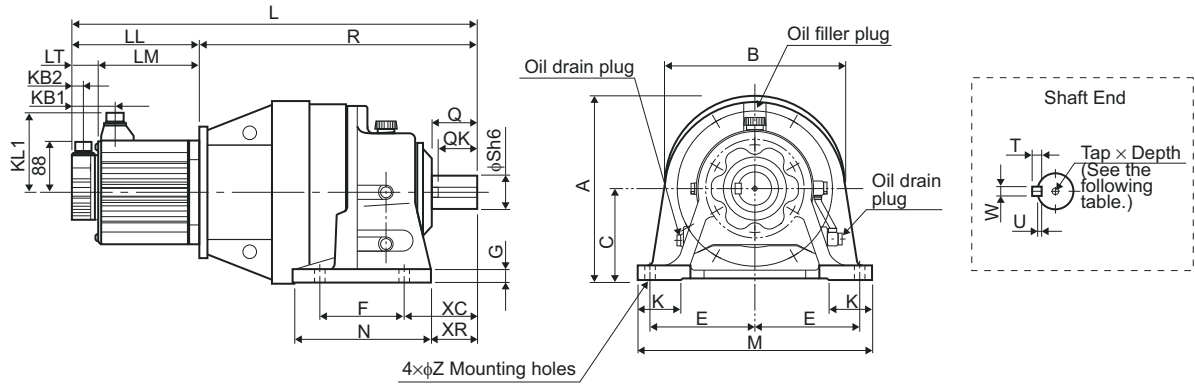
Since grease has been filled prior to shipment, the servomotors can be used without replenishing grease.

[www.nicsanat.com](http://www.nicsanat.com)

021-87700210



(2) Oil Lubricating Type



Units: mm

Model SGMGH-	Gear Model	Gear Ratio	L	LL	LM	LT	KB1	KB2	KL1	R	A*1	B	C*2	Shaft Center Allowable Radial Load N
13P□AE76	CHHX-6130	1/29	532	185	141	44	73	21	109	347	300	246	150	10500
20P□AEC6	CHHX-6130	1/21	536	166	121	45	77	22	140	370	300	246	150	9510
20P□AE76	CHHX-6135	1/29	536	166	121	45	77	22	140	370	300	246	150	10400
30P□AEC6	CHHX-6140	1/21	582	192	147	45	77	22	140	390	300	246	150	13900
30P□AE76	CHHJ-6160	1/29	687	192	147	45	77	22	140	495	367	318	160	17900
44P□AEA6	CHHX-6130	1/6	596	226	181	45	77	22	140	370	300	246	150	6030
44P□AEB6	CHHX-6135	1/11	596	226	181	45	77	22	140	370	300	246	150	7660
44P□AEC6	CHHJ-6160	1/21	721	226	181	45	77	22	140	495	367	318	160	16300
44P□AE76	CHHJ-6170	1/29	785	226	181	45	77	22	140	559	429	363	200	20100
55P□AEA6	CHHX-6135	1/6	664	260	215	45	86	22	150	404	300	246	150	5990
55P□AEB6	CHHX-6140	1/11	684	260	215	45	86	22	150	424	300	246	150	11500
55P□AEC6	CHHJ-6170	1/21	853	260	215	45	86	22	150	593	429	363	200	18300
55P□AE76	CHHJ-6175	1/29	853	260	215	45	86	22	150	593	429	363	200	20000
75P□AEB6	CHHJ-6160	1/11	863	334	289	45	86	22	150	529	367	318	160	13100
75P□AEC6	CHHJ-6175	1/21	927	334	289	45	86	22	150	593	429	363	200	18200
75P□AE76	CHHJ-6180	1/29	977	334	289	45	86	22	150	643	467	393	220	26600
1AP□AEB6	CHHJ-6170	1/11	934	338	293	45	87	22	168	596	429	363	200	14700
1AP□AEC6	CHHJ-6185	1/21	984	338	293	45	87	22	168	646	467	393	220	24300
1AP□AE76	CHHJ-6190	1/29	1077	338	293	45	87	22	168	539	539	454	250	37100

\* 1. The dimension of the hook is included for some models.

\* 2. The tolerances for all models are  $\begin{matrix} 0 \\ -0.5 \end{matrix}$ .



Units: mm

Model SGMGH-	Gear Ratio	Foot-mounted Dimensions mm									Shaft-end Dimensions mm						Approx. Mass kg	
		E	F	G	K	M	N	XR	XC	Z	Q	QK	S	T	U	W		Tap × Depth
13P□AE76	1/29	145	145	22	65	330	195	75	100	18	70	56	50	9	5.5	14	M10 × 18	57.6
20P□AEC6	1/21	145	145	22	65	330	195	75	100	18	70	56	50	9	5.5	14	M10 × 18	67
20P□AE76	1/29	145	145	22	65	330	195	75	100	18	70	56	50	9	5.5	14	M10 × 18	67
30P□AEC6	1/21	145	145	22	65	330	195	95	120	18	90	80	50	9	5.5	14	M10 × 18	72
30P□AE76	1/29	185	150	25	75	410	238	95	139	18	90	80	60	11	7	18	M10 × 18	126
44P□AEA6	1/6	145	145	22	65	330	195	75	100	18	70	56	50	9	5.5	14	M10 × 18	76
44P□AEB6	1/11	145	145	22	65	330	195	75	100	18	70	56	50	9	5.5	14	M10 × 18	76
44P□AEC6	1/21	185	150	25	75	410	238	95	139	18	90	80	60	11	7	18	M10 × 18	131
44P□AE76	1/29	190	275	30	80	430	335	95	125	22	90	80	70	12	7.5	20	M12 × 24	176
55P□AEA6	1/6	145	145	22	65	330	195	75	100	18	70	56	50	9	5.5	14	M10 × 18	88
55P□AEB6	1/11	145	145	22	65	330	195	95	120	18	90	80	50	9	5.5	14	M10 × 18	89
55P□AEC6	1/21	190	275	30	80	430	335	95	125	22	90	80	70	12	7.5	20	M12 × 24	191
55P□AE76	1/29	190	275	30	80	430	335	95	125	22	90	80	70	12	7.5	20	M12 × 24	191
75P□AEB6	1/11	185	150	25	75	410	238	95	139	18	90	80	60	11	7	18	M10 × 18	155
75P□AEC6	1/21	190	275	30	80	430	335	95	125	22	90	80	70	12	7.5	20	M12 × 24	201
75P□AE76	1/29	210	320	30	85	470	380	115	145	22	110	100	80	14	9	22	M12 × 24	245
1AP□AEB6	1/11	190	275	30	80	430	335	95	125	22	90	80	70	12	7.5	20	M12 × 24	231
1AP□AEC6	1/21	210	320	30	85	470	380	115	145	22	110	100	80	14	9	22	M12 × 24	277
1AP□AE76	1/29	240	380	35	90	530	440	140	170	26	135	125	95	14	9	25	M20 × 34	358

## • Dimensional Tolerances

Units: mm

Model SGMGH-	Shaft-end Dimensions
	S
13P□AE76	$50^{0}_{-0.016}$
20P□AEC6	$50^{0}_{-0.016}$
20P□AE76	$50^{0}_{-0.016}$
30P□AEC6	$50^{0}_{-0.016}$
30P□AE76	$60^{0}_{-0.019}$
44P□AEA6	$50^{0}_{-0.016}$
44P□AEB6	$50^{0}_{-0.016}$
44P□AEC6	$60^{0}_{-0.019}$
44P□AE76	$70^{0}_{-0.019}$
55P□AEA6	$50^{0}_{-0.016}$
55P□AEB6	$50^{0}_{-0.016}$
55P□AEC6	$70^{0}_{-0.019}$
55P□AE76	$70^{0}_{-0.019}$
75P□AEB6	$60^{0}_{-0.019}$

3.15.3 SGMGH Servomotors ( $1500 \text{ min}^{-1}$ ) With Standard Backlash Gears and Without Brakes (Foot-mounted Type)

Units: mm (Cont'd)

Model SGMGH-	Shaft-end Dimensions
	S
75P□AEC6	$70 \begin{smallmatrix} 0 \\ -0.019 \end{smallmatrix}$
75P□AE76	$80 \begin{smallmatrix} 0 \\ -0.019 \end{smallmatrix}$
1AP□AEB6	$70 \begin{smallmatrix} 0 \\ -0.019 \end{smallmatrix}$
1AP□AEC6	$80 \begin{smallmatrix} 0 \\ -0.019 \end{smallmatrix}$
1AP□AE76	$95 \begin{smallmatrix} 0 \\ -0.022 \end{smallmatrix}$



## ■ Lubrication

- Oil lubricating type (frame numbers: 6130 to 6190)

Servomotors of this type have been shipped with oil removed. Be sure to supply oil until the red line at the upper side of the oil gauge.

Lubrication oil recommended is industrial-use extreme-pressure gear oil of SP-system, JIS K 2219 industrial-use gear oil or equivalent. Refer to the following table.

Surrounding Air Temperature	Manufacturer						
	COSMO Oil Co., Ltd.	Nippon Oil Corporation	Idemitsu Kosan Co., Ltd.	Showa Shell Sekiyu K.K.	Exxon Mobil Corporation	Japan Energy Corporation	
0 to 35°C	COSMO Gear SE 100, 150	BON-NOCK M 100, 150	Daphne Super Gear Oil 100, 150	Shell Omala Oil 100, 150	Spartan EP 100, 150	Mobilgear 627, 629 (ISO VG100, 150)	JOMO Reductus 100, 150

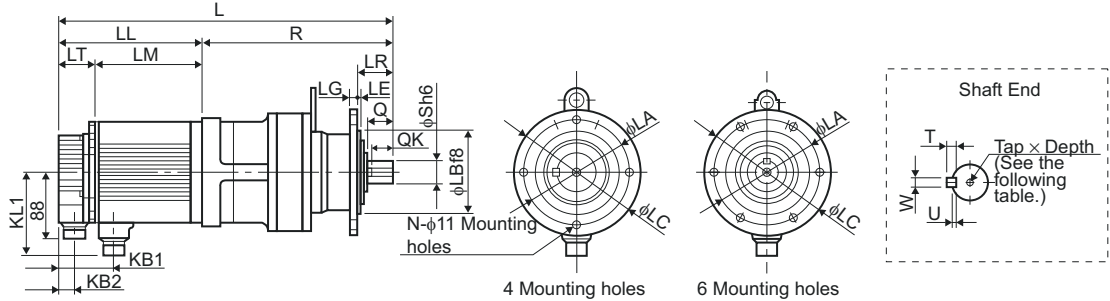
The following shows approximate oil amount to be supplied.

Units: liter

Frame No.	6130 6135	6140	6160	6170 6175	6180 6185	6190
Horizontal type	0.7	0.7	1.4	1.9	2.5	4.0

### 3.15.4 SGMGH Servomotors (1500 min<sup>-1</sup>) With Standard Backlash Gears and Without Brakes (Flange-mounted Type)

#### (1) Grease Lubricating Type



Units: mm

Model SGMGH-	Gear Model	Gear Ratio	L	LL	LM	LT	KB1	KB2	KL1	R	Shaft Center Allowable Radial Load N
05P□AFA6	CNVX-6090	1/6	380	138	94	44	73	21	109	242	2830
05P□AFB6	CNVX-6090	1/11	380	138	94	44	73	21	109	242	3340
05P□AFC6	CNVX-6100	1/21	394	138	94	44	73	21	109	256	5400
05P□AF76	CNVX-6100	1/29	394	138	94	44	73	21	109	256	5400
09P□AFA6	CNVX-6100	1/6	417	161	117	44	73	21	109	256	4110
09P□AFB6	CNVX-6100	1/11	417	161	117	44	73	21	109	256	5220
09P□AFC6	CNVX-6120	1/21	449	161	117	44	73	21	109	288	8240
09P□AF76	CNVX-6120	1/29	449	161	117	44	73	21	109	288	8980
13P□AFA6	CNVX-6100	1/6	441	185	141	44	73	21	109	256	4090
13P□AFB6	CNVX-6120	1/11	473	185	141	44	73	21	109	288	6650
13P□AFC6	CNVX-6125	1/21	473	185	141	44	73	21	109	288	8190
20P□AFA6	CNVX-6120	1/6	477	166	121	45	77	22	140	311	5220
20P□AFB6	CNVX-6125	1/11	477	166	121	45	77	22	140	311	6620
30P□AFA6	CNVX-6120	1/6	503	192	147	45	77	22	140	311	5180
30P□AFB6	CNVX-6125	1/11	503	192	147	45	77	22	140	311	6560

Model SGMGH-	Gear Ratio	Flange Face Dimensions mm										Shaft-end Dimensions mm				Approx. Mass kg
		LA	LB	LC	LE	LG	LR	N	Q	QK	S	T	U	W	Tap $\times$ Depth	
05P□AFA6	1/6	134	110	160	3	9	48	4	35	32	28	7	4	8	M8 $\times$ 20	18.7
05P□AFB6	1/11	134	110	160	3	9	48	4	35	32	28	7	4	8	M8 $\times$ 20	18.7
05P□AFC6	1/21	134	110	160	3	9	48	4	35	32	28	7	4	8	M8 $\times$ 20	20.7
05P□AF76	1/29	134	110	160	3	9	48	4	35	32	28	7	4	8	M8 $\times$ 20	20.7
09P□AFA6	1/6	134	110	160	3	9	48	4	35	32	28	7	4	8	M8 $\times$ 20	22.6
09P□AFB6	1/11	134	110	160	3	9	48	4	35	32	28	7	4	8	M8 $\times$ 20	22.6
09P□AFC6	1/21	180	140	210	4	13	69	6	55	50	38	8	5	10	M8 $\times$ 20	33.6
09P□AF76	1/29	180	140	210	4	13	69	6	55	50	38	8	5	10	M8 $\times$ 20	33.6
13P□AFA6	1/6	134	110	160	3	9	48	4	35	32	28	7	4	8	M8 $\times$ 20	24.6
13P□AFB6	1/11	180	140	210	4	13	69	6	55	50	38	8	5	10	M8 $\times$ 20	35.6
13P□AFC6	1/21	180	140	210	4	13	69	6	55	50	38	8	5	10	M8 $\times$ 20	35.6
20P□AFA6	1/6	180	140	210	4	13	69	6	55	50	38	8	5	10	M8 $\times$ 20	42
20P□AFB6	1/11	180	140	210	4	13	69	6	55	50	38	8	5	10	M8 $\times$ 20	42
30P□AFA6	1/6	180	140	210	4	13	69	6	55	50	38	8	5	10	M8 $\times$ 20	46
30P□AFB6	1/11	180	140	210	4	13	69	6	55	50	38	8	5	10	M8 $\times$ 20	4



- Dimensional Tolerances

Units: mm

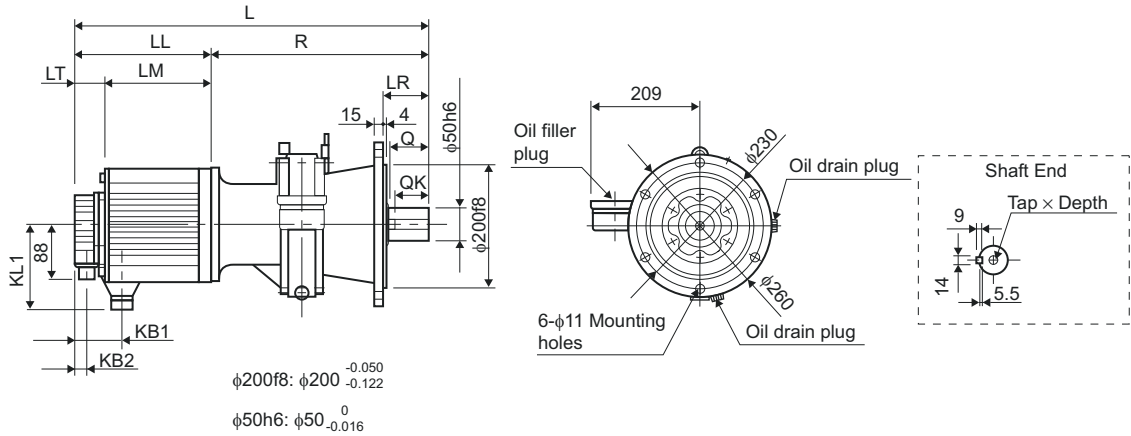
Model SGMGH-	Flange Face Dimensions	Shaft-end Dimensions
	LB	S
05P□AFA6	$110^{+0.036}_{-0.090}$	$28^{+0}_{-0.013}$
05P□AFB6	$110^{+0.036}_{-0.090}$	$28^{+0}_{-0.013}$
05P□AFC6	$110^{+0.036}_{-0.090}$	$28^{+0}_{-0.013}$
05P□AF76	$110^{+0.036}_{-0.090}$	$28^{+0}_{-0.013}$
09P□AFA6	$110^{+0.036}_{-0.090}$	$28^{+0}_{-0.013}$
09P□AFB6	$110^{+0.036}_{-0.090}$	$28^{+0}_{-0.013}$
09P□AFC6	$140^{+0.043}_{-0.106}$	$38^{+0}_{-0.016}$
09P□AF76	$140^{+0.043}_{-0.106}$	$38^{+0}_{-0.016}$
13P□AFA6	$110^{+0.036}_{-0.090}$	$28^{+0}_{-0.013}$
13P□AFB6	$140^{+0.043}_{-0.106}$	$38^{+0}_{-0.016}$
13P□AFC6	$140^{+0.043}_{-0.106}$	$38^{+0}_{-0.016}$
20P□AFA6	$140^{+0.043}_{-0.106}$	$38^{+0}_{-0.016}$
20P□AFB6	$140^{+0.043}_{-0.106}$	$38^{+0}_{-0.016}$
30P□AFA6	$140^{+0.043}_{-0.106}$	$38^{+0}_{-0.016}$
30P□AFB6	$140^{+0.043}_{-0.106}$	$38^{+0}_{-0.016}$



- Lubrication

- Grease lubricating type (frame numbers: 6190 to 6125)  
Since grease has been filled prior to shipment, the servomotors can be used without replenishing grease.

(2) Small Oil Lubricating Type



Units: mm

Model SGMGH-	Gear Model	Gear Ratio	L	LL	LM	LT	KB1	KB2	KL1	R	Shaft Center Allowable Radial Load N
13P□AF76	CHVX-6130	1/29	532	185	141	44	73	21	109	347	10500
20P□AFC6	CHVX-6130	1/21	536	166	121	45	77	22	140	370	9510
20P□AF76	CHVX-6135	1/29	536	166	121	45	77	22	140	370	10400
30P□AFC6	CHVX-6140	1/21	582	192	147	45	77	22	140	390	13900
44P□AFA6	CHVX-6130	1/6	596	226	181	45	77	22	140	370	6030
44P□AFB6	CHVX-6135	1/11	596	226	181	45	77	22	140	370	7660
55P□AFA6	CHVX-6135	1/6	664	260	215	45	86	22	150	404	5990
55P□AFB6	CHVX-6140	1/11	684	260	215	45	86	22	150	424	11500

Model SGMGH-	Gear Ratio	Flange Face Dimensions mm	Shaft-end Dimensions mm			Approx. Mass kg
		LR	Q	QK	Tap×Depth	
13P□AF76	1/29	76	70	56	M10 × 18	56.6
20P□AFC6	1/21	76	70	56	M10 × 18	66
20P□AF76	1/29	76	70	56	M10 × 18	66
30P□AFC6	1/21	96	90	80	M10 × 18	71
44P□AFA6	1/6	76	70	56	M10 × 18	75
44P□AFB6	1/11	76	70	56	M10 × 18	75
55P□AFA6	1/6	76	70	56	M10 × 18	87
55P□AFB6	1/11	96	90	80	M10 × 18	88



#### ■ Lubrication

- Oil lubricating type (frame numbers: 6130 to 6190)

Servomotors of this type have been shipped with oil removed. Be sure to supply oil until the red line at the upper side of the oil gauge.

Lubrication oil recommended is industrial-use extreme-pressure gear oil of SP-system, JIS K 2219 industrial-use gear oil or equivalent. Refer to the following table.

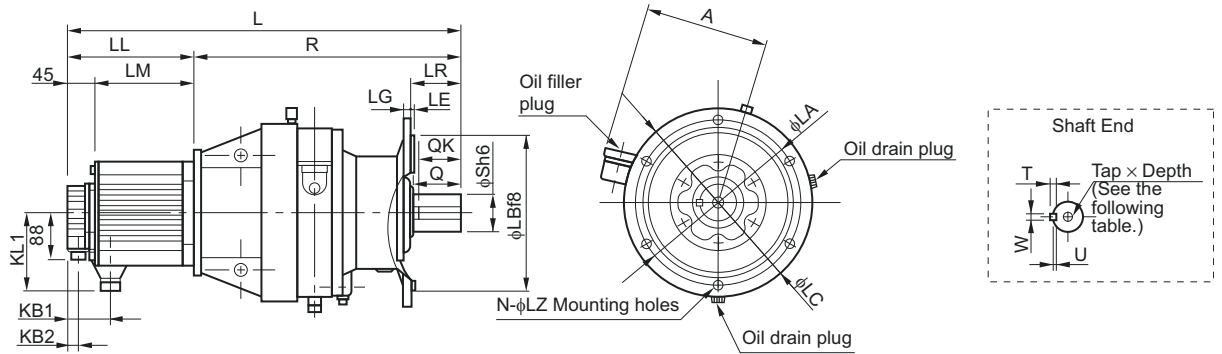
Surrounding Air Temperature	Manufacturer						
	COSMO Oil Co., Ltd.	Nippon Oil Corporation	Idemitsu Kosan Co., Ltd.	Showa Shell Sekiyu K.K.	Exxon Mobil Corporation		Japan Energy Corporation
0 to 35°C	COSMO Gear SE 100, 150	BON-NOCK M 100, 150	Daphne Super Gear Oil 100, 150	Shell Omala Oil 100, 150	Spartan EP 100, 150	Mobilgear 627, 629 (ISO VG100, 150)	JOMO Reductus 100, 150

The following shows approximate oil amount to be supplied.

Units: liter

Frame No.	6130 6135	6140	6160	6170 6175	6180 6185	6190
Horizontal type	0.7	0.7	1.4	1.9	2.5	4.0

(3) Large Oil Lubricating Type



Units: mm

Model SGMGH-	Gear Model	Gear Ratio	L	LL	LM	KB1	KB2	KL1	R	A	Shaft Center Allowable Radial Load N
30P□AF76	CHVJ-6160	1/29	687	192	147	77	22	140	495	228	17900
44P□AFC6	CHVJ-6160	1/21	721	226	181	77	22	140	495	228	16300
44P□AF76	CHVJ-6170	1/29	785	226	181	77	22	140	559	243	20100
55P□AFC6	CHVJ-6170	1/21	853	260	215	86	22	150	593	243	18300
55P□AF76	CHVJ-6175	1/29	853	260	215	86	22	150	593	243	20000
75P□AFB6	CHVJ-6160	1/11	863	334	289	86	22	150	529	228	13100
75P□AFC6	CHVJ-6175	1/21	927	334	289	86	22	150	593	243	18200
75P□AF76	CHVJ-6180	1/29	977	334	289	86	22	150	643	258	26600
1AP□AFB6	CHVJ-6170	1/11	934	338	293	87	22	168	596	243	14700
1AP□AFC6	CHVJ-6185	1/21	984	338	293	87	22	168	646	258	24300
1AP□AF76	CHVJ-6190	1/29	1077	338	293	87	22	168	739	285	37100

Model SGMGH-	Gear Ratio	Flange Face Dimensions mm								Shaft-end Dimensions mm							Approx. Mass kg
		LA	LB	LC	LE	LG	LR	N	LZ	Q	QK	S	T	U	W	Tap x Depth	
30P□AF76	1/29	310	270	340	4	20	89	6	11	90	80	60	11	7	18	M10 x 18	121
44P□AFC6	1/21	310	270	340	4	20	89	6	11	90	80	60	11	7	18	M10 x 18	126
44P□AF76	1/29	360	316	400	5	22	94	8	14	90	80	70	12	7.5	20	M12 x 24	176
55P□AFC6	1/21	360	316	400	5	22	94	8	14	90	80	70	12	7.5	20	M12 x 24	191
55P□AF76	1/29	360	316	400	5	22	94	8	14	90	80	70	12	7.5	20	M12 x 24	191
75P□AFB6	1/11	310	270	340	4	20	89	6	11	90	80	60	11	7	18	M10 x 18	150
75P□AFC6	1/21	360	316	400	5	22	94	8	14	90	80	70	12	7.5	20	M12 x 24	201
75P□AF76	1/29	390	345	430	5	22	110	8	18	110	100	80	14	9	22	M12 x 24	232
1AP□AFB6	1/11	360	316	400	5	22	94	8	14	90	80	70	12	7.5	20	M12 x 24	231
1AP□AFC6	1/21	390	345	430	5	22	110	8	18	110	100	80	14	9	22	M12 x 24	264
1AP□AF76	1/29	450	400	490	6	30	145	12	18	135	125	95	14	9	25	M20 x 34	343

- Dimensional Tolerances

Units: mm

Model SGMGH-	Flange Face Dimensions	Shaft-end Dimensions
	LB	S
30P□AF76	$270^{0}_{-0.137}$	$60^{0}_{-0.019}$
44P□AFC6	$270^{0}_{-0.137}$	$60^{0}_{-0.019}$
44P□AF76	$316^{0}_{-0.151}$	$70^{0}_{-0.019}$
55P□AFC6	$316^{0}_{-0.151}$	$70^{0}_{-0.019}$
55P□AF76	$316^{0}_{-0.151}$	$70^{0}_{-0.019}$
75P□AFB6	$270^{0}_{-0.137}$	$60^{0}_{-0.019}$
75P□AFC6	$316^{0}_{-0.151}$	$70^{0}_{-0.019}$
75P□AF76	$345^{0}_{-0.151}$	$80^{0}_{-0.019}$
1AP□AFB6	$316^{0}_{-0.151}$	$70^{0}_{-0.019}$
1AP□AFC6	$345^{0}_{-0.151}$	$80^{0}_{-0.019}$
1AP□AF76	$400^{0}_{-0.151}$	$95^{0}_{-0.022}$



- Lubrication

- Oil lubricating type (frame numbers: 6130 to 6190)

Servomotors of this type have been shipped with oil removed. Be sure to supply oil until the red line at the upper side of the oil gauge.

Lubrication oil recommended is industrial-use extreme-pressure gear oil of SP-system, JIS K 2219 industrial-use gear oil or equivalent. Refer to the following table.

Surrounding Air Temperature	Manufacturer						
	COSMO Oil Co., Ltd.	Nippon Oil Corporation	Idemitsu Kosan Co., Ltd.	Showa Shell Sekiyu K.K.	Exxon Mobil Corporation	Japan Energy Corporation	
0 to 35°C	COSMO Gear SE 100, 150	BON-NOCK M 100, 150	Daphne Super Gear Oil 100, 150	Shell Omala Oil 100, 150	Spartan EP 100, 150	Mobilgear 627, 629 (ISO VG100, 150)	JOMO Reductus 100, 150

The following shows approximate oil amount to be supplied.

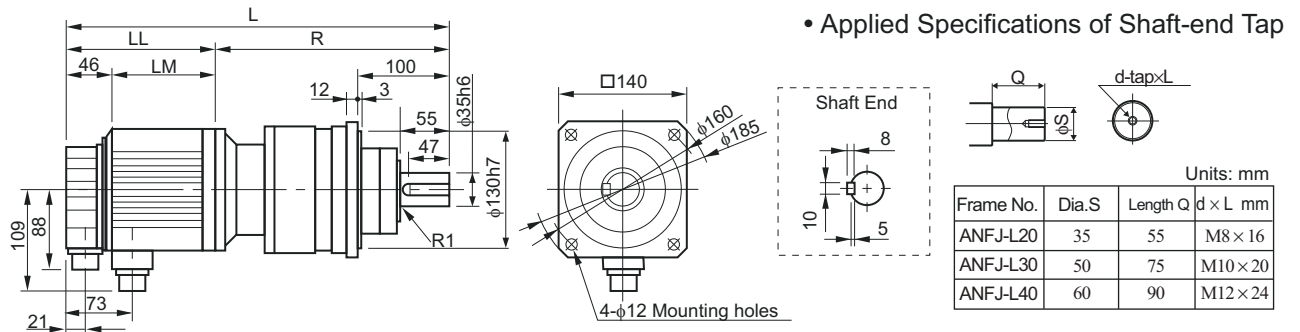
Units: liter

Frame No.	6130 6135	6140	6160	6170 6175	6180 6185	6190
Horizontal type	0.7	0.7	1.4	1.9	2.5	4.0

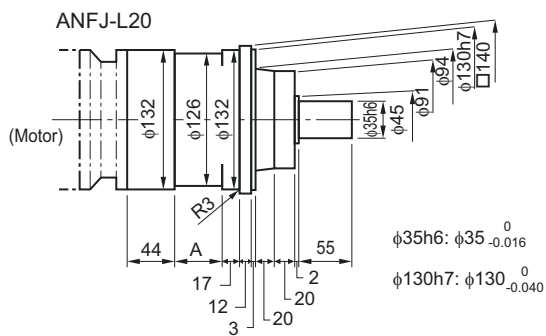


### 3.15.5 SGMGH Servomotors (1500 min<sup>-1</sup>) With Low-backlash Gears and Without Brakes (Flange-mounted Type)

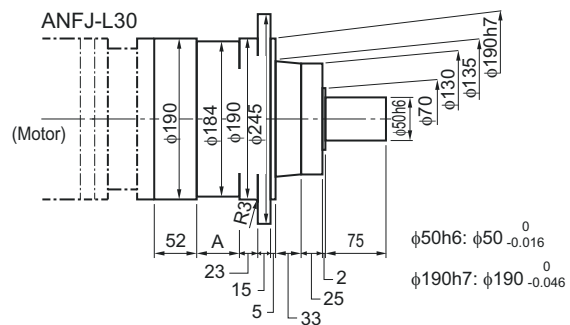
#### (1) Grease Lubricating Type for Small



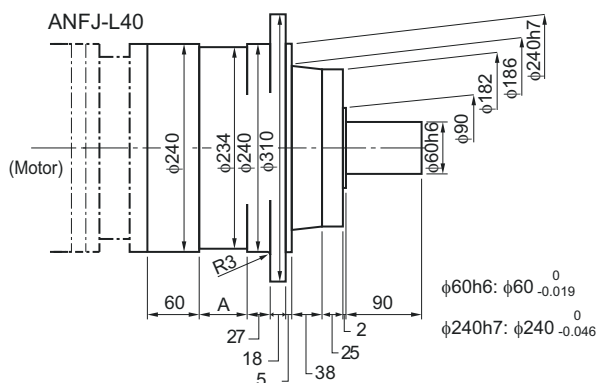
• Detailed Dimensions of Gears



Gear Ratio	A
1/5	6
1/9	18
1/20, 1/29	37
1/45	47



Gear Ratio	A
1/5	11
1/9	38
1/20, 1/29	42
1/45	52



Gear Ratio	A
1/5	16
1/9	48
1/20, 1/29	48
1/45	58

3.15.5 SGMGH Servomotors (1500 min<sup>-1</sup>) With Low-backlash Gears and Without Brakes (Flange-mounted Type)

Units: mm

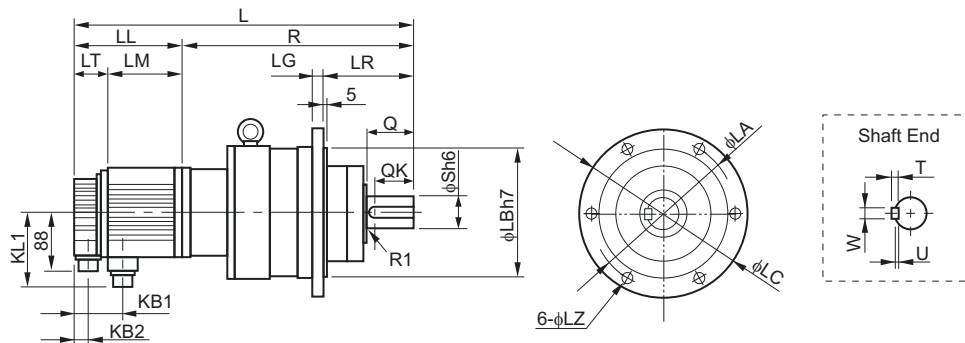
Model SGMGH-	Gear Model	Gear Ratio	L	LL	LM	R	Shaft Center Allowable Radial Load N	Approx. Mass kg
05A□AL14	ANFJ-L20	1/5	394	138	92	256	833	14
05A□AL24		1/9	406	138	92	268	980	14
09A□AL14		1/5	417	161	115	256	833	16
09A□AL24		1/9	429	161	115	268	980	16



■ Lubrication

- Since grease has been filled prior to shipment, the servomotors can be used without replenishing grease.

(2) Large Grease Lubricating Type



Units: mm

Model SGMGH-	Gear Model	Gear Ratio	L	LL	LM	LR	LT	KB1	KB2	KL1	R	Shaft Center Allowable Radial Load N
05A□AL54	ANFJ-L30	1/20	491	138	92	140	46	73	21	109	353	2650
05A□AL74		1/29	491	138	92	140	46	73	21	109	353	2940
05A□AL84		1/45	501	138	92	140	46	73	21	109	363	3430
09A□AL54		1/20	514	161	115	140	46	73	21	109	353	2650
09A□AL74		1/29	514	161	115	140	46	73	21	109	353	2940
09A□AL84	ANFJ-L40	1/45	565	161	115	160	46	73	21	109	404	8040
13A□AL14	ANFJ-L30	1/5	507	185	139	140	46	73	21	109	322	1670
13A□AL24		1/9	534	185	139	140	46	73	21	109	349	1960
13A□AL54		1/20	538	185	139	140	46	73	21	109	353	2650
13A□AL74	ANFJ-L40	1/29	579	185	139	160	46	73	21	109	394	6860
13A□AL84		1/45	589	185	139	160	46	73	21	109	404	8040
20A□AL14	ANFJ-L30	1/5	509	166	119	140	47	77	22	140	343	1670
20A□AL24		1/9	536	166	119	140	47	77	22	140	370	1960
20A□AL54	ANFJ-L40	1/20	581	166	119	160	47	77	22	140	415	6080
20A□AL74		1/29	581	166	119	160	47	77	22	140	415	6860
30A□AL14		1/5	575	192	145	160	47	77	22	140	383	3820
30A□AL24		1/9	607	192	145	160	47	77	22	140	415	4700
30A□AL54		1/20	607	192	145	160	47	77	22	140	415	6080
44A□AL14		1/5	609	226	179	160	47	77	22	140	383	3820
44A□AL24		1/9	641	226	179	160	47	77	22	140	415	4700

Model SGMGH-	Gear Ratio	Flange Face Dimensions mm					Shaft-end Dimensions mm						Approx. Mass kg
		LA	LB	LC	LG	LZ	Q	QK	S	T	U	W	
05A□AL54	1/20	220	190	245	15	12	75	65	50	9	5.5	14	31
05A□AL74	1/29	220	190	245	15	12	75	65	50	9	5.5	14	31
05A□AL84	1/45	220	190	245	15	12	75	65	50	9	5.5	14	31
09A□AL54	1/20	220	190	245	15	12	75	65	50	9	5.5	14	33
09A□AL74	1/29	220	190	245	15	12	75	65	50	9	5.5	14	33
09A□AL84	1/45	280	240	310	18	14	90	78	60	11	7	18	53
13A□AL14	1/5	220	190	245	15	12	75	65	50	9	5.5	14	28
13A□AL24	1/9	220	190	245	15	12	75	65	50	9	5.5	14	35
13A□AL54	1/20	220	190	245	15	12	75	65	50	9	5.5	14	35
13A□AL74	1/29	280	240	310	18	14	90	78	60	11	7	18	55
13A□AL84	1/45	280	240	310	18	14	90	78	60	11	7	18	55
20A□AL14	1/5	220	190	245	15	12	75	65	50	9	5.5	14	32
20A□AL24	1/9	220	190	245	15	12	75	65	50	9	5.5	14	39
20A□AL54	1/20	280	240	310	18	14	90	78	60	11	7	18	39
20A□AL74	1/29	280	240	310	18	14	90	78	60	11	7	18	39
30A□AL14	1/5	280	240	310	18	14	90	78	60	11	7	18	53
30A□AL24	1/9	280	240	310	18	14	90	78	60	11	7	18	63
30A□AL54	1/20	280	240	310	18	14	90	78	60	11	7	18	63
44A□AL14	1/5	280	240	310	18	14	90	78	60	11	7	18	58
44A□AL24	1/9	280	240	310	18	14	90	78	60	11	7	18	68



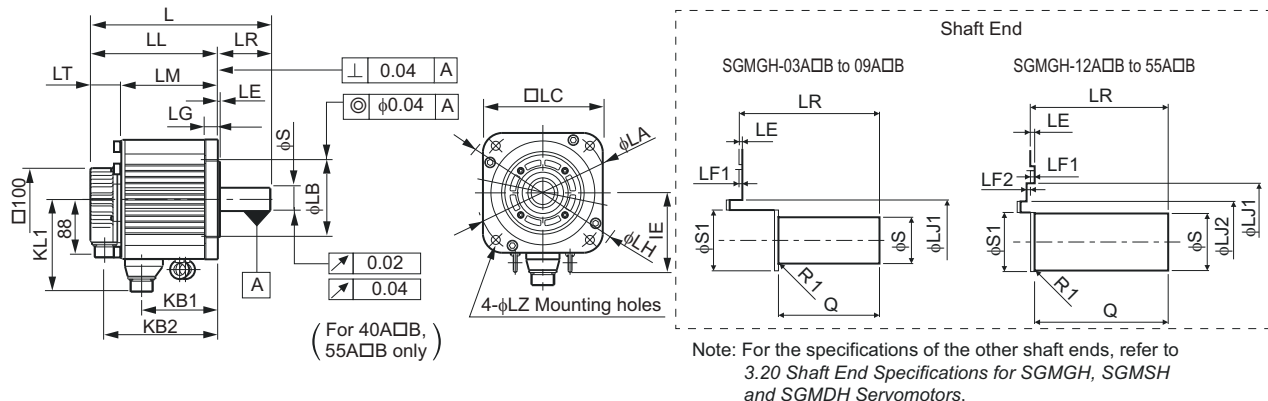
■ Lubrication

- Since grease has been filled prior to shipment, the servomotors can be used without replenishing grease.

### 3.16 Dimensional Drawings of SGMGH Servomotors (1000 min<sup>-1</sup>)

#### 3.16.1 SGMGH Servomotors (1000 min<sup>-1</sup>) Without Gears and Brakes

Models with oil seals are of the same configuration.



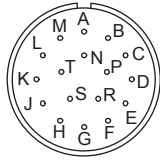
Units: mm

Model SGMGH-	L	LL	LM	LR	LT	KB1	KB2	IE	KL1	Shaft-end Dimensions			Approx. Mass kg
										S	S1	Q	
03A□B21	196	138	92	58	46	65	117	-	109	19 <sup>0</sup> <sub>-0.013</sub>	30	40	5.5
06A□B21	219	161	115	58	46	88	140	-	109	19 <sup>0</sup> <sub>-0.013</sub>	30	40	7.6
09A□B21	243	185	139	58	46	112	164	-	109	22 <sup>0</sup> <sub>-0.013</sub>	30	40	9.6
12A□B21	245	166	119	79	47	89	144	-	140	35 <sup>+0.01</sup> <sub>0</sub>	45	76	14
20A□B21	271	192	145	79	47	115	170	-	140	35 <sup>+0.01</sup> <sub>0</sub>	45	76	18
30A□B21	305	226	179	79	47	149	204	-	140	35 <sup>+0.01</sup> <sub>0</sub>	45	76	23
40A□B21	373	260	213	113	47	174	238	123	150	42 <sup>0</sup> <sub>-0.016</sub>	45	110	30
55A□B21	447	334	287	113	47	248	312	123	150	42 <sup>0</sup> <sub>-0.016</sub>	45	110	40

Model SGMGH-	Flange Face Dimensions mm											Allowable Radial Load N	Allowable Thrust Load N
	LA	LB	LC	LE	LF1	LF2	LG	LH	LJ1	LJ2	LZ		
03A□B21	145	110 <sup>0</sup> <sub>-0.035</sub>	130	6	6	-	12	165	45	-	9	490	98
06A□B21	145	110 <sup>0</sup> <sub>-0.035</sub>	130	6	6	-	12	165	45	-	9	490	98
09A□B21	145	110 <sup>0</sup> <sub>-0.035</sub>	130	6	6	-	12	165	45	-	9	686	343
12A□B21	200	114.3 <sup>0</sup> <sub>-0.025</sub>	180	3.2	3	0.5	18	230	76	62	13.5	1176	490
20A□B21	200	114.3 <sup>0</sup> <sub>-0.025</sub>	180	3.2	3	0.5	18	230	76	62	13.5	1470	490
30A□B21	200	114.3 <sup>0</sup> <sub>-0.025</sub>	180	3.2	3	0.5	18	230	76	62	13.5	1470	490
40A□B21	200	114.3 <sup>0</sup> <sub>-0.025</sub>	180	3.2	3	0.5	18	230	76	62	13.5	1764	588
55A□B21	200	114.3 <sup>0</sup> <sub>-0.025</sub>	180	3.2	3	0.5	18	230	76	62	13.5	1764	588

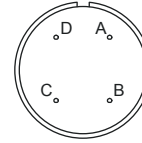


• Cable Specifications for Detector Connectors (17-bit Encoder)



Receptacle: MS3102A20-29P  
 Applicable plug (Purchased by the customer)  
 Plug: MS3108B20-29S  
 Cable clamp: MS3057-12A

• Cable Specifications for Servomotor Connectors



A	Phase U
B	Phase V
C	Phase W
D	FG (Frame ground)

With an Absolute Encoder

A	-	K	-
B	-	L	-
C	DATA+	M	-
D	DATA-	N	-
E	-	P	-
F	-	R	-
G	0V	S	BATT-
H	+5VDC	T	BATT+
J	FG (Frame ground)	-	-

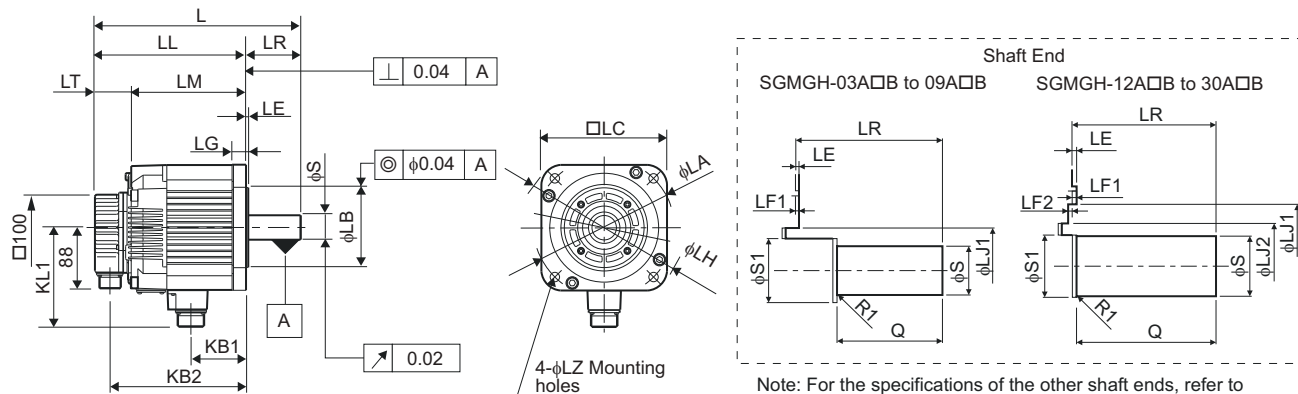
With an Incremental Encoder

A	-	K	-
B	-	L	-
C	DATA+	M	-
D	DATA-	N	-
E	-	P	-
F	-	R	-
G	0V	S	-
H	+5VDC	T	-
J	FG (Frame ground)	-	-

### 3.16.2 SGMGH Servomotors (1000 min<sup>-1</sup>) Without Gears and With Brakes

#### (1) 300 W to 3.0 kW

Models with oil seals are of the same configuration.



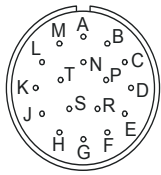
Note: For the specifications of the other shaft ends, refer to 3.20 Shaft End Specifications for SGMGH, SGMSh and SGMdH Servomotors.

Units: mm

Model SGMGH-	L	LL	LM	LR	LT	KB1	KB2	KL1	Shaft-end Dimensions			Approx. Mass kg
									S	S1	Q	
03A□B2□	234	176	130	58	46	56	154	120	19 <sup>0</sup> <sub>-0.013</sub>	30	40	7.5
06A□B2□	257	199	153	58	46	79	177	120	19 <sup>0</sup> <sub>-0.013</sub>	30	40	9.6
09A□B2□	281	223	177	58	46	103	201	120	22 <sup>0</sup> <sub>-0.013</sub>	30	40	12
12A□B2□	296	217	169	79	48	79	195	146	35 <sup>+0.01</sup> <sub>0</sub>	45	76	19
20A□B2□	322	243	195	79	48	105	221	146	35 <sup>+0.01</sup> <sub>0</sub>	45	76	23.5
30A□B2□	356	277	229	79	48	139	255	146	35 <sup>+0.01</sup> <sub>0</sub>	45	76	28.5

Model SGMGH-	Flange Face Dimensions mm											Allowable Radial Load N	Allowable Thrust Load N
	LA	LB	LC	LE	LF1	LF2	LG	LH	LJ1	LJ2	LZ		
03A□B2□	145	110 <sup>0</sup> <sub>-0.035</sub>	130	6	6	-	12	165	45	-	9	490	98
06A□B2□	145	110 <sup>0</sup> <sub>-0.035</sub>	130	6	6	-	12	165	45	-	9	490	98
09A□B2□	145	110 <sup>0</sup> <sub>-0.035</sub>	130	6	6	-	12	165	45	-	9	686	343
12A□B2□	200	114.3 <sup>0</sup> <sub>-0.025</sub>	180	3.2	3	0.5	18	230	76	62	13.5	1176	490
20A□B2□	200	114.3 <sup>0</sup> <sub>-0.025</sub>	180	3.2	3	0.5	18	230	76	62	13.5	1470	490
30A□B2□	200	114.3 <sup>0</sup> <sub>-0.025</sub>	180	3.2	3	0.5	18	230	76	62	13.5	1470	490

• Cable Specifications for Detector Connectors (17-bit Encoder)

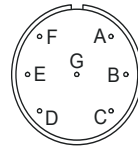


Receptacle: MS3102A20-29P  
 Applicable plug (Purchased by the customer)  
 Plug: MS3108B20-29S  
 Cable clamp: MS3057-12A

With an Absolute Encoder

A	-	K	-
B	-	L	-
C	DATA+	M	-
D	DATA-	N	-
E	-	P	-
F	-	R	-
G	0V	S	BATT-
H	+5VDC	T	BATT+
J	FG (Frame ground)	-	-

• Cable Specifications for Servomotor Connectors



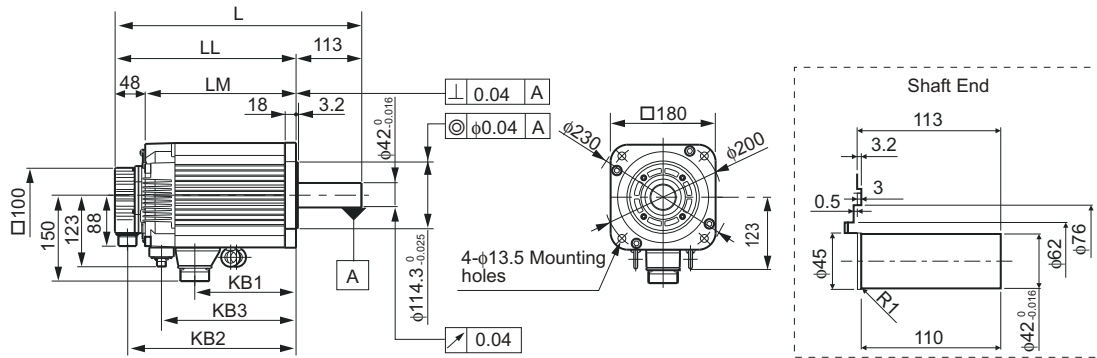
A	Phase U	E	Brake terminal
B	Phase V	F	Brake terminal
C	Phase W	G	-
D	FG (Frame ground)	-	-

With an Incremental Encoder

A	-	K	-
B	-	L	-
C	DATA+	M	-
D	DATA-	N	-
E	-	P	-
F	-	R	-
G	0V	S	-
H	+5VDC	T	-
J	FG (Frame ground)	-	-

(2) 4.0 kW to 5.5 kW

Models with oil seals are of the same configuration.

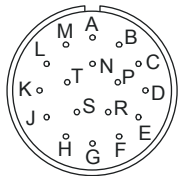


Note: For the specifications of the other shaft ends, refer to 3.20 Shaft End Specifications for SGMGH, SGMSH and SGMDH Servomotors.

Units: mm

Model SGMGH-	L	LL	LM	KB1	KB2	KB3	Approx. Mass kg	Allowable Radial Load N	Allowable Thrust Load N
40A□B2□	424	311	263	174	289	231	35	1764	588
55A□B2□	498	385	337	248	363	305	45.5		

• Cable Specifications for Detector Connectors (17-bit Encoder)



Receptacle: MS3102A20-29P  
 Applicable plug (Purchased by the customer)  
 Plug: MS3108B20-29S  
 Cable clamp: MS3057-12A

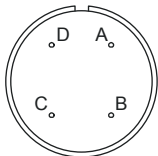
With an Absolute Encoder

A	-	K	-
B	-	L	-
C	DATA+	M	-
D	DATA-	N	-
E	-	P	-
F	-	R	-
G	0V	S	BATT-
H	+5VDC	T	BATT+
J	FG (Frame ground)	-	-

With an Incremental Encoder

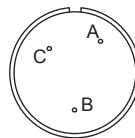
A	-	K	-
B	-	L	-
C	DATA+	M	-
D	DATA-	N	-
E	-	P	-
F	-	R	-
G	0V	S	-
H	+5VDC	T	-
J	FG (Frame ground)	-	-

• Cable Specifications for Servomotor Connectors



A	Phase U
B	Phase V
C	Phase W
D	FG (Frame ground)

• Cable Specifications for Brake Connectors

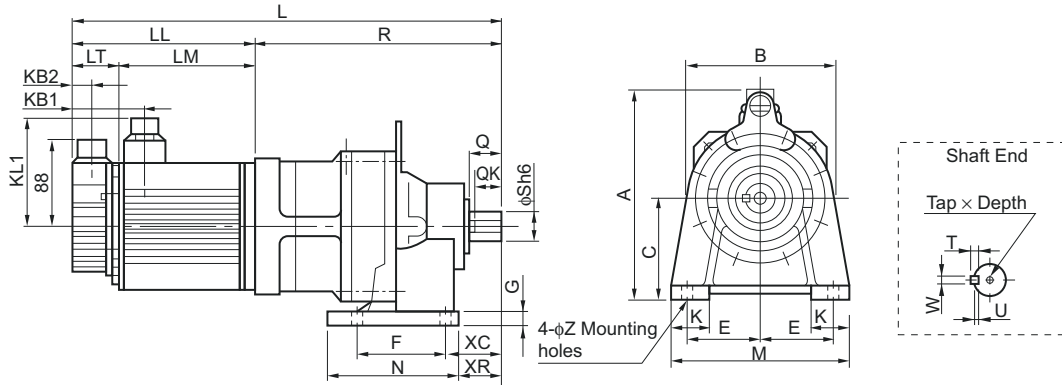


A	Brake terminal
B	Brake terminal
C	-



### 3.16.3 SGMGH Servomotors (1000 min<sup>-1</sup>) With Standard Backlash Gears and Without Brakes (Foot-mounted Type)

#### (1) Grease Lubricating Type



Units: mm

Model SGMGH-	Gear Model	Gear Ratio	L	LL	LM	LT	KB1	KB2	KL1	R	A	B	C*	Shaft Center Allowable Radial Load N
03P□BEA6	CNHX-6090	1/6	380	138	94	44	73	21	109	242	209	152	100	2840
03P□BEB6	CNHX-6090	1/11	380	138	94	44	73	21	109	242	209	152	100	3340
03P□BEC6	CNHX-6100	1/21	394	138	94	44	73	21	109	256	209	152	100	5400
03P□BE76	CNHX-6100	1/29	394	138	94	44	73	21	109	256	209	152	100	5400
06P□BEA6	CNHX-6100	1/6	417	161	117	44	73	21	109	256	209	152	100	4120
06P□BEB6	CNHX-6100	1/11	417	161	117	44	73	21	109	256	209	152	100	5230
06P□BEC6	CNHX-6120	1/21	449	161	117	44	73	21	109	288	257	204	120	8260
06P□BE76	CNHX-6120	1/29	449	161	117	44	73	21	109	288	257	204	120	9810
09P□BEA6	CNHX-6100	1/6	441	185	141	44	73	21	109	256	209	152	100	4110
09P□BEB6	CNHX-6105	1/11	441	185	141	44	73	21	109	256	209	152	100	7600
09P□BEC6	CNHX-6125	1/21	473	185	141	44	73	21	109	288	257	204	120	10900
09P□BE76	CNHX-6125	1/29	473	185	141	44	73	21	109	288	257	204	120	11900
12P□BEA6	CNHX-6120	1/6	477	166	121	45	77	22	140	311	260	204	120	5980
12P□BEB6	CNHX-6120	1/11	477	166	121	45	77	22	140	311	260	204	120	7600
20P□BEA6	CNHX-6120	1/6	503	192	147	45	77	22	140	311	260	204	120	5940
20P□BEB6	CNHX-6125	1/11	503	192	147	45	77	22	140	311	260	204	120	7530

\* The tolerances for all models are  $\begin{matrix} 0 \\ -0.5 \end{matrix}$ .

3.16.3 SGMGH Servomotors ( $1000 \text{ min}^{-1}$ ) With Standard Backlash Gears and Without Brakes (Foot-mounted Type)

Model SGMGH-	Gear Ratio	Foot-mounted Dimensions mm									Shaft-end Dimensions mm							Approx. Mass kg
		E	F	G	K	M	N	XR	XC	Z	Q	QK	S	T	U	W	Tap × Depth	
03P□BEA6	1/6	75	90	12	65	180	135	45	60	11	35	32	28	7	4	8	M8 × 20	20.7
03P□BEB6	1/11	75	90	12	65	180	135	45	60	11	35	32	28	7	4	8	M8 × 20	20.7
03P□BEC6	1/21	75	90	12	40	180	135	45	60	11	35	32	28	7	4	8	M8 × 20	22.7
03P□BE76	1/29	75	90	12	40	180	135	45	60	11	35	32	28	7	4	8	M8 × 20	22.7
06P□BEA6	1/6	75	90	12	40	180	135	45	60	11	35	32	28	7	4	8	M8 × 20	24.6
06P□BEB6	1/11	75	90	12	40	180	135	45	60	11	35	32	28	7	4	8	M8 × 20	24.6
06P□BEC6	1/21	95	115	15	55	230	155	62	82	14	55	50	38	8	5	10	M8 × 20	34.6
06P□BE76	1/29	95	115	15	55	230	155	62	82	14	55	50	38	8	5	10	M8 × 20	34.6
09P□BEA6	1/6	75	90	12	40	180	135	45	60	11	35	32	28	7	4	8	M8 × 20	26.6
09P□BEB6	1/11	75	90	12	40	180	135	45	60	11	35	32	28	7	4	8	M8 × 20	26.6
09P□BEC6	1/21	95	115	15	55	230	155	62	82	14	55	50	38	8	5	10	M8 × 20	36.6
09P□BE76	1/29	95	115	15	55	230	155	62	82	14	55	50	38	8	5	10	M8 × 20	36.6
12P□BEA6	1/6	95	115	15	55	230	155	62	82	14	55	50	38	8	5	10	M8 × 20	43
12P□BEB6	1/11	95	115	15	55	230	155	62	82	14	55	50	38	8	5	10	M8 × 20	43
20P□BEA6	1/6	95	115	15	55	230	155	62	82	14	55	50	38	8	5	10	M8 × 20	47
20P□BEB6	1/11	95	115	15	55	230	155	62	82	14	55	50	38	8	5	10	M8 × 20	47

- Dimensional Tolerances

Units: mm

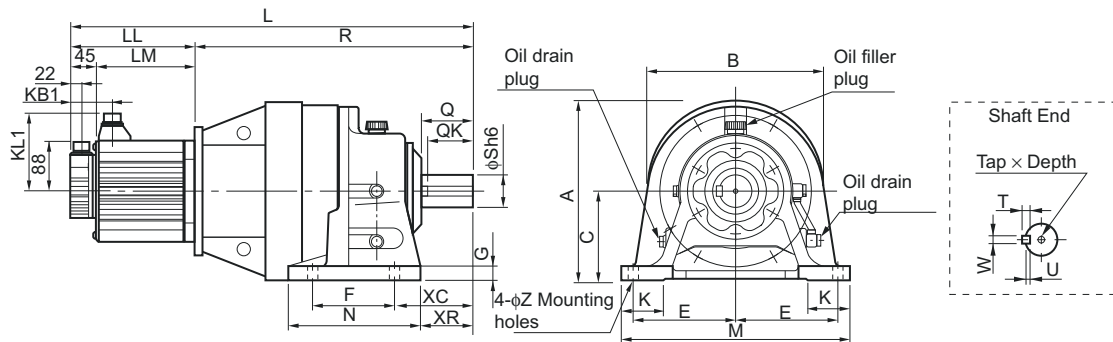
Model SGMGH-	Shaft-end Dimensions
	S
03P□BEA6	$28 \begin{matrix} 0 \\ -0.013 \end{matrix}$
03P□BEB6	$28 \begin{matrix} 0 \\ -0.013 \end{matrix}$
03P□BEC6	$28 \begin{matrix} 0 \\ -0.013 \end{matrix}$
03P□BE76	$28 \begin{matrix} 0 \\ -0.013 \end{matrix}$
06P□BEA6	$28 \begin{matrix} 0 \\ -0.013 \end{matrix}$
06P□BEB6	$28 \begin{matrix} 0 \\ -0.013 \end{matrix}$
06P□BEC6	$38 \begin{matrix} 0 \\ -0.016 \end{matrix}$
06P□BE76	$38 \begin{matrix} 0 \\ -0.016 \end{matrix}$
09P□BEA6	$28 \begin{matrix} 0 \\ -0.013 \end{matrix}$
09P□BEB6	$28 \begin{matrix} 0 \\ -0.013 \end{matrix}$
09P□BEC6	$38 \begin{matrix} 0 \\ -0.016 \end{matrix}$
09P□BE76	$38 \begin{matrix} 0 \\ -0.016 \end{matrix}$
12P□BEA6	$38 \begin{matrix} 0 \\ -0.016 \end{matrix}$
12P□BEB6	$38 \begin{matrix} 0 \\ -0.016 \end{matrix}$
20P□BEA6	$38 \begin{matrix} 0 \\ -0.016 \end{matrix}$
20P□BEB6	$38 \begin{matrix} 0 \\ -0.016 \end{matrix}$



- Lubrication

- Since grease has been filled prior to shipment, the servomotors can be used without replenishing grease.

(2) Oil Lubricating Type



Units: mm

Model SGMGH-	Gear Model	Gear Ratio	L	LL	LM	KB1	KL1	R	A *1	B	C *2	Shaft Center Allowable Radial Load N
12P□BEC6	CHHX-6130	1/21	536	166	121	77	140	370	300	246	150	10900
12P□BE76	CHHX-6135	1/29	536	166	121	77	140	370	300	246	150	11900
20P□BEC6	CHHX-6140	1/21	582	192	147	77	140	390	300	246	150	15700
20P□BE76	CHHJ-6160	1/29	687	192	147	77	140	495	367	318	160	20500
30P□BEA6	CHHX-6130	1/6	596	226	181	77	140	370	300	246	150	6920
30P□BEB6	CHHX-6135	1/11	596	226	181	77	140	370	300	246	150	8790
30P□BEC6	CHHJ-6160	1/21	721	226	181	77	140	495	367	318	160	18600
30P□BE76	CHHJ-6170	1/29	785	226	181	77	140	559	429	363	200	23100
40P□BEA6	CHHX-6135	1/6	664	260	215	86	150	404	300	246	150	6870
40P□BEB6	CHHX-6145	1/11	684	260	215	86	150	424	300	246	150	13000
40P□BEC6	CHHJ-6170	1/21	853	260	215	86	150	593	429	363	200	21000
40P□BE76	CHHJ-6175	1/29	853	260	215	86	150	593	429	363	200	23000
55P□BEB6	CHHJ-6160	1/11	863	334	289	86	150	529	367	318	160	15000
55P□BEC6	CHHJ-6175	1/21	927	334	289	86	150	593	429	363	200	20900
55P□BE76	CHHJ-6185	1/29	977	334	289	86	150	643	467	393	220	30400

\* 1. The dimension of the hook is included for some models.

\* 2. The tolerances for all models are  $\begin{matrix} 0 \\ -0.5 \end{matrix}$ .

Model SGMGH-	Gear Ratio	Dimensions with Feet mm									Shaft-end Dimensions mm							Approx. Mass kg
		E	F	G	K	M	N	XR	XC	Z	Q	QK	S	T	U	W	Tap x Depth	
12P□BEC6	1/21	145	145	22	65	330	195	75	100	18	70	56	50	9	5.5	14	M10 x 18	67
12P□BE76	1/29	145	145	22	65	330	195	75	100	18	70	56	50	9	5.5	14	M10 x 18	67
20P□BEC6	1/21	145	145	22	65	330	195	95	120	18	90	80	50	9	5.5	14	M10 x 18	72
20P□BE76	1/29	185	150	25	75	410	238	95	139	18	90	80	60	11	7	18	M10 x 18	126
30P□BEA6	1/6	145	145	22	65	330	195	75	100	18	70	56	50	9	5.5	14	M10 x 18	76
30P□BEB6	1/11	145	145	22	65	330	195	75	100	18	70	56	50	9	5.5	14	M10 x 18	76
30P□BEC6	1/21	185	150	25	75	410	238	95	139	18	90	80	60	11	7	18	M10 x 18	131
30P□BE76	1/29	190	275	30	80	430	335	95	125	22	90	80	70	12	7.5	20	M12 x 24	176
40P□BEA6	1/6	145	145	22	65	330	195	75	100	18	70	56	50	9	5.5	14	M10 x 18	88
40P□BEB6	1/11	145	145	22	65	330	195	95	120	18	90	80	50	9	5.5	14	M10 x 18	89
40P□BEC6	1/21	190	275	30	80	430	335	95	125	22	90	80	70	12	7.5	20	M12 x 24	191
40P□BE76	1/29	190	275	30	80	430	335	95	125	22	90	80	70	12	7.5	20	M12 x 24	191
55P□BEB6	1/11	185	150	25	75	410	238	95	139	18	90	80	60	11	7	18	M10 x 18	155
55P□BEC6	1/21	190	275	30	80	430	335	95	125	22	90	80	70	12	7.5	20	M12 x 24	201
55P□BE76	1/29	210	320	30	85	470	380	115	145	22	110	100	80	14	7.5	20	M12 x 24	245

www.nicsanat.com  
021-87700210



• Dimensional Tolerances

Units: mm

Model SGMGH-	Shaft-end Dimensions
	S
12P□BEC6	50 <sup>0</sup> -0.016
12P□BE76	50 <sup>0</sup> -0.016
20P□BEC6	50 <sup>0</sup> -0.016
20P□BE76	60 <sup>0</sup> -0.019
30P□BEA6	50 <sup>0</sup> -0.016
30P□BEB6	50 <sup>0</sup> -0.016
30P□BEC6	60 <sup>0</sup> -0.019
30P□BE76	70 <sup>0</sup> -0.019
40P□BEA6	50 <sup>0</sup> -0.016
40P□BEB6	50 <sup>0</sup> -0.016
40P□BEC6	70 <sup>0</sup> -0.019
40P□BE76	70 <sup>0</sup> -0.019
55P□BEB6	60 <sup>0</sup> -0.019
55P□BEC6	70 <sup>0</sup> -0.019
55P□BE76	80 <sup>0</sup> -0.019



■ Lubrication

- Oil lubricating type (frame numbers: 6130 to 6190)

Servomotors of this type have been shipped with oil removed. Be sure to supply oil until the red line at the upper side of the oil gauge.

Lubrication oil recommended is industrial-use extreme-pressure gear oil of SP-system, JIS K 2219 industrial-use gear oil or equivalent. Refer to the following table.

Surrounding Air Temperature	Manufacturer						
	COSMO Oil Co., Ltd.	Nippon Oil Corporation	Idemitsu Kosan Co., Ltd.	Showa Shell Sekiyu K.K.	Exxon Mobil Corporation		Japan Energy Corporation
0 to 35°C	COSMO Gear SE 100, 150	BON-NOCK M 100, 150	Daphne Super Gear Oil 100, 150	Shell Omala Oil 100, 150	Spartan EP 100, 150	Mobilgear 627, 629 (ISO VG100, 150)	JOMO Reductus 100, 150

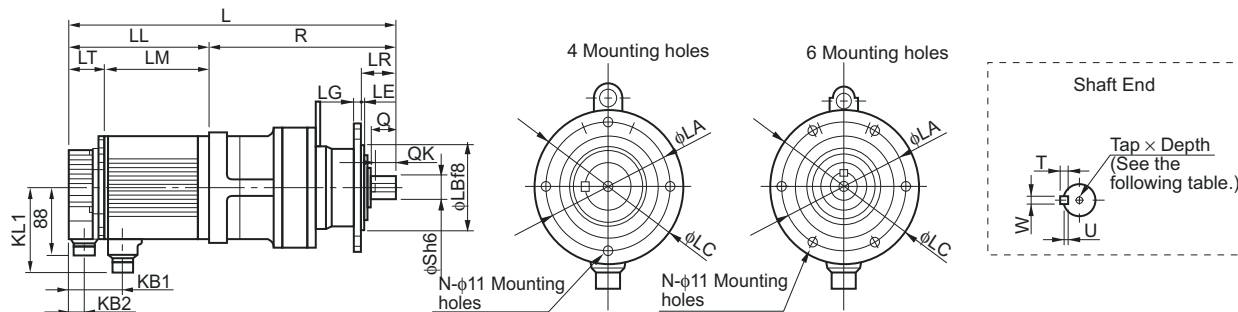
The following shows approximate oil amount to be supplied.

Units: liter

Frame No.	6130 6135	6140	6160	6170 6175	6180 6185	6190
Horizontal type	0.7	0.7	1.4	1.9	2.5	4.0

### 3.16.4 SGMGH Servomotors (1000 min<sup>-1</sup>) With Standard Backlash Gears and Without Brakes (Flange-mounted Type)

#### (1) Grease Lubricating Type



Units: mm

Model SGMGH-	Gear Model	Gear Ratio	L	LL	LM	LT	KB1	KB2	KL1	R	Shaft Center Allowable Radial Load N
03P□BFA6	CNVX-6090	1/6	380	138	94	44	73	21	109	242	2840
03P□BFB6	CNVX-6090	1/11	380	138	94	44	73	21	109	242	3340
03P□BFC6	CNVX-6100	1/21	394	138	94	44	73	21	109	256	5400
03P□BF76	CNVX-6100	1/29	394	138	94	44	73	21	109	256	5400
06P□BFA6	CNVX-6100	1/6	417	161	117	44	73	21	109	256	4120
06P□BFB6	CNVX-6100	1/11	417	161	117	44	73	21	109	256	5230
06P□BFC6	CNVX-6120	1/21	449	161	117	44	73	21	109	288	8260
06P□BF76	CNVX-6120	1/29	449	161	117	44	73	21	109	288	9810
09P□BFA6	CNVX-6100	1/6	441	185	141	44	73	21	109	256	4110
09P□BFB6	CNVX-6105	1/11	441	185	141	44	73	21	109	256	7600
09P□BFC6	CNVX-6125	1/21	473	185	141	44	73	21	109	288	10900
09P□BF76	CNVX-6125	1/29	473	185	141	44	73	21	109	288	11900
12P□BFA6	CNVX-6120	1/6	477	166	121	45	77	22	140	311	5980
12P□BFB6	CNVX-6120	1/11	477	166	121	45	77	22	140	311	7600
20P□BFA6	CNVX-6120	1/6	503	192	147	45	77	22	140	311	5940
20P□BFB6	CNVX-6125	1/11	503	192	147	45	77	22	140	311	7530

Model SGMGH-	Flange Face Dimensions mm							Shaft-end Dimensions mm							Approx. Mass kg
	LA	LB	LC	LE	LG	LR	N	Q	QK	S	T	U	W	Tap × Depth	
03P□BFA6	134	110	160	3	9	48	4	35	32	28	7	4	8	M8 × 20	18.7
03P□BFB6	134	110	160	3	9	48	4	35	32	28	7	4	8	M8 × 20	18.7
03P□BFC6	134	110	160	3	9	48	4	35	32	28	7	4	8	M8 × 20	20.7
03P□BF76	134	110	160	3	9	48	4	35	32	28	7	4	8	M8 × 20	20.7
06P□BFA6	134	110	160	3	9	48	4	35	32	28	7	4	8	M8 × 20	22.6
06P□BFB6	134	110	160	3	9	48	4	35	32	28	7	4	8	M8 × 20	22.6
06P□BFC6	180	140	210	4	13	69	6	55	50	38	8	5	10	M8 × 20	33.6
06P□BF76	180	140	210	4	13	69	6	55	50	38	8	5	10	M8 × 20	33.6
09P□BFA6	134	110	160	3	9	48	4	35	32	28	7	4	8	M8 × 20	24.6
09P□BFB6	134	110	160	3	9	48	4	35	32	28	7	4	8	M8 × 20	24.6
09P□BFC6	180	140	210	4	13	69	6	55	50	38	8	5	10	M8 × 20	35.6
09P□BF76	180	140	210	4	13	69	6	55	50	38	8	5	10	M8 × 20	35.6

www.nicsanat.com  
021-87700210



(Cont'd)

Model SGMGH-	Flange Face Dimensions mm							Shaft-end Dimensions mm							Approx. Mass kg
	LA	LB	LC	LE	LG	LR	N	Q	QK	S	T	U	W	Tap × Depth	
12P□BFA6	180	140	210	4	13	69	6	55	50	38	8	5	10	M8 × 20	42
12P□BFB6	180	140	210	4	13	69	6	55	50	38	8	5	10	M8 × 20	42
20P□BFA6	180	140	210	4	13	69	6	55	50	38	8	5	10	M8 × 20	46
20P□BFB6	180	140	210	4	13	69	6	55	50	38	8	5	10	M8 × 20	46

- Dimensional Tolerances

Units: mm

Model SGMGH-	Flange Face Dimensions	Shaft-end Dimensions
	LB	S
03P□BFA6	110 <sup>-0.036</sup> -0.090	28 <sup>0</sup> -0.013
03P□BFB6	110 <sup>-0.036</sup> -0.090	28 <sup>0</sup> -0.013
03P□BFC6	110 <sup>-0.036</sup> -0.090	28 <sup>0</sup> -0.013
03P□BF76	110 <sup>-0.036</sup> -0.090	28 <sup>0</sup> -0.013
06P□BFA6	110 <sup>-0.036</sup> -0.090	28 <sup>0</sup> -0.013
06P□BFB6	110 <sup>-0.036</sup> -0.090	28 <sup>0</sup> -0.013
06P□BFC6	140 <sup>-0.043</sup> -0.106	38 <sup>0</sup> -0.016
06P□BF76	140 <sup>-0.043</sup> -0.106	38 <sup>0</sup> -0.016
09P□BFA6	110 <sup>-0.036</sup> -0.090	28 <sup>0</sup> -0.013
09P□BFB6	110 <sup>-0.036</sup> -0.090	28 <sup>0</sup> -0.013
09P□BFC6	140 <sup>-0.043</sup> -0.106	38 <sup>0</sup> -0.016
09P□BF76	140 <sup>-0.043</sup> -0.106	38 <sup>0</sup> -0.016
12P□BFA6	140 <sup>-0.043</sup> -0.106	38 <sup>0</sup> -0.016
12P□BFB6	140 <sup>-0.043</sup> -0.106	38 <sup>0</sup> -0.016
20P□BFA6	140 <sup>-0.043</sup> -0.106	38 <sup>0</sup> -0.016
20P□BFB6	140 <sup>-0.043</sup> -0.106	38 <sup>0</sup> -0.016

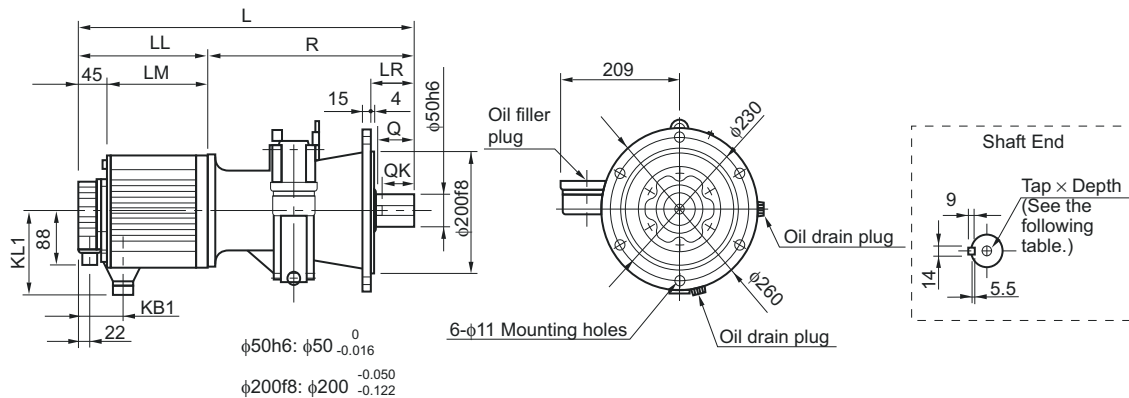


- Lubrication

- Grease lubricating type (frame numbers: 6090 to 6125)

Since grease has been filled prior to shipment, the servomotors can be used without replenishing grease.

(2) Small Oil Lubricating Type



Units: mm

Model SGMGH-	Gear Model	Gear Ratio	L	LL	LM	KB1	KL1	R	Shaft Center Allowable Radial Load N	Flange Face Dimensions		Shaft-end Dimensions		Approx. Mass kg
										LR	Q	QK	Tap x Depth	
12P□BFC6	CHVX-6130	1/21	536	166	121	77	140	370	10900	76	70	56	M10×18	66
12P□BF76	CHVX-6135	1/29	536	166	121	77	140	370	11900	76	70	56	M10×18	66
20P□BFC6	CHVX-6140	1/21	582	192	147	77	140	390	15700	96	90	80	M10×18	71
30P□BFA6	CHVX-6130	1/6	596	226	181	77	140	370	6920	76	70	56	M10×18	75
30P□BFB6	CHVX-6135	1/11	596	226	181	77	140	370	8790	76	70	56	M10×18	75
40P□BFA6	CHVX-6135	1/6	664	260	215	86	150	404	6870	76	70	56	M10×18	87
40P□BFB6	CHVX-6145	1/11	684	260	215	86	150	424	13000	96	90	80	M10×18	88



■ Lubrication

- Oil lubricating type (frame numbers: 6130 to 6190)

Servomotors of this type have been shipped with oil removed. Be sure to supply oil until the red line at the upper side of the oil gauge.

Lubrication oil recommended is industrial-use extreme-pressure gear oil of SP-system, JIS K 2219 industrial-use gear oil or equivalent. Refer to the following table..

Surrounding Air Temperature	Manufacturer					
	COSMO Oil Co., Ltd.	Nippon Oil Corporation	Idemitsu Kosan Co., Ltd.	Showa Shell Sekiyu K.K.	Exxon Mobil Corporation	Japan Energy Corporation
0 to 35°C	COSMO Gear SE 100, 150	BON-NOCK M 100, 150	Daphne Super Gear Oil 100, 150	Shell Omala Oil 100, 150	Spartan EP 100, 150	Mobilgear 627, 629 (ISO VG100, 150) JOMO Reductus 100, 150

The following shows approximate oil amount to be supplied.

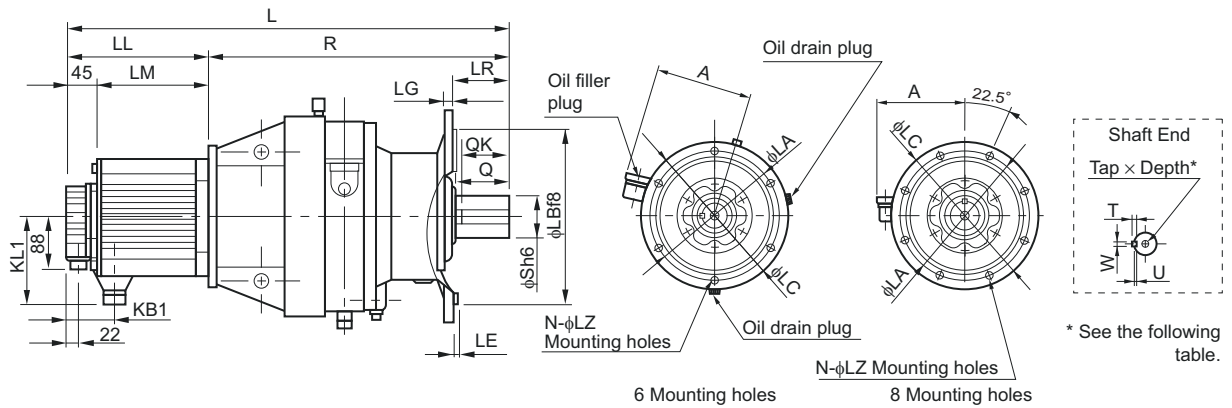
Units: liter

Frame No.	6130 6135	6140	6160	6170 6175	6180 6185	6190
Horizontal type	0.7	0.7	1.4	1.9	2.5	4.0





(3) Large Oil Lubricating Type



Units: mm

Model SGMGH-	Gear Model	Gear Ratio	L	LL	LM	KB1	KL1	R	A	Shaft Center Allowable Radial Load N
20P□BF76	CHVJ-6160	1/29	687	192	147	77	140	495	228	20500
30P□BFC6	CHVJ-6160	1/21	721	226	181	77	140	495	228	18600
30P□BF76	CHVJ-6170	1/29	785	226	181	77	140	559	243	23100
40P□BFC6	CHVJ-6170	1/21	853	260	215	86	150	593	243	21000
40P□BF76	CHVJ-6175	1/29	853	260	215	86	150	593	243	23000
55P□BFB6	CHVJ-6160	1/11	863	334	289	86	150	529	228	15000
55P□BFC6	CHVJ-6175	1/21	927	334	289	86	150	593	243	20900
55P□BF76	CHVJ-6185	1/29	977	334	289	86	150	643	258	30400

Model SGMGH-	Gear Ratio	Flange Face Dimensions mm								Shaft-end Dimensions mm							Approx. Mass kg
		LA	LB	LC	LE	LG	LR	N	LZ	Q	QK	S	T	U	W	Tap × Depth	
20P□BF76	1/29	310	270	340	4	20	89	6	11	90	80	60	11	7	18	M10×18	121
30P□BFC6	1/21	310	270	340	4	20	89	6	11	90	80	60	11	7	18	M10×18	126
30P□BF76	1/29	360	316	400	5	22	94	8	14	90	80	70	12	7.5	20	M12×24	176
40P□BFC6	1/21	360	316	400	5	22	94	8	14	90	80	70	12	7.5	20	M12×24	191
40P□BF76	1/29	360	316	400	5	22	94	8	14	90	80	70	12	7.5	20	M12×24	191
55P□BFB6	1/11	310	270	340	4	20	89	6	11	90	80	60	11	7	18	M10×18	150
55P□BFC6	1/21	360	316	400	5	22	94	8	14	90	80	70	12	7.5	20	M12×24	201
55P□BF76	1/29	390	345	430	5	22	110	8	18	110	100	80	14	9	22	M12×24	232

- Dimensional Tolerances

Units: mm

Model SGMGH-	Flange Face Dimensions	Shaft-end Dimensions
	LB	S
20P□BF76	$270^{0}_{-0.137}$	$60^{0}_{-0.019}$
30P□BFC6	$270^{0}_{-0.137}$	$60^{0}_{-0.019}$
30P□BF76	$316^{0}_{-0.151}$	$70^{0}_{-0.019}$
40P□BFC6	$316^{0}_{-0.151}$	$70^{0}_{-0.019}$
40P□BF76	$316^{0}_{-0.151}$	$70^{0}_{-0.019}$
55P□BFB6	$270^{0}_{-0.137}$	$60^{0}_{-0.019}$
55P□BFC6	$316^{0}_{-0.151}$	$70^{0}_{-0.019}$
55P□BF76	$345^{0}_{-0.151}$	$80^{0}_{-0.019}$



- Lubrication

- Oil lubricating type (frame numbers: 6130 to 6190)

Servomotors of this type have been shipped with oil removed. Be sure to supply oil until the red line at the upper side of the oil gauge.

Lubrication oil recommended is industrial-use extreme-pressure gear oil of SP-system, JIS K 2219 industrial-use gear oil or equivalent. Refer to the following table.

Surrounding Air Temperature	Manufacturer						
	COSMO Oil Co., Ltd.	Nippon Oil Corporation	Idemitsu Kosan Co., Ltd.	Showa Shell Sekiyu K.K.	Exxon Mobil Corporation		Japan Energy Corporation
0 to 35°C	COSMO Gear SE 100, 150	BON-NOCK M 100, 150	Daphne Super Gear Oil 100, 150	Shell Omala Oil 100, 150	Spartan EP 100, 150	Mobilgear 627, 629 (ISO VG100, 150)	JOMO Reductus 100, 150

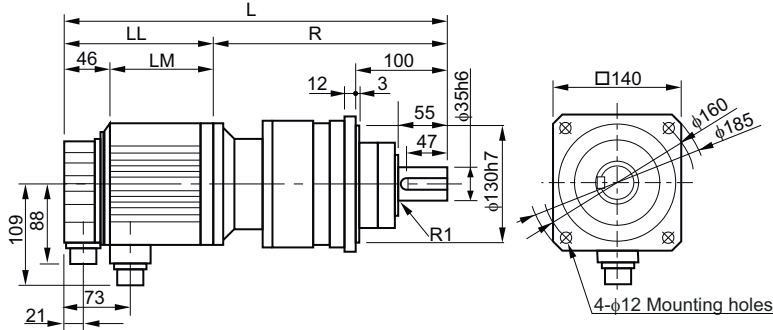
The following shows approximate oil amount to be supplied.

Units: liter

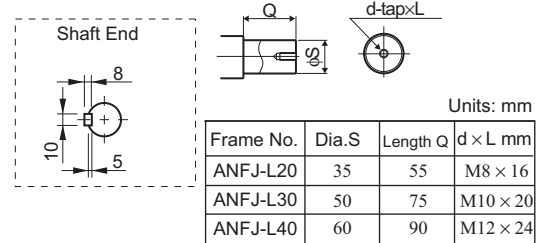
Frame No.	6130 6135	6140	6160	6170 6175	6180 6185	6190
Horizontal type	0.7	0.7	1.4	1.9	2.5	4.0

### 3.16.5 SGMGH Servomotors (1000 min<sup>-1</sup>) With Low-backlash Gears and Without Brakes (Flange-mounted Type)

#### (1) Small Grease Lubricating Type

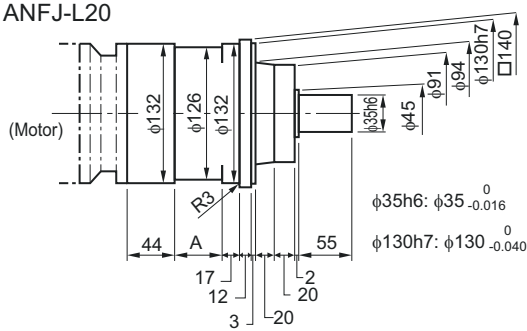


• Applied Specifications for Shaft-end Tap



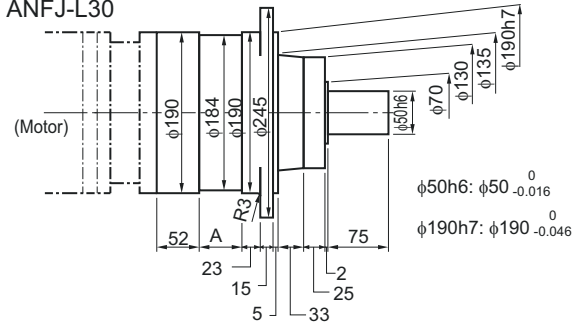
• Detailed Dimensions of Gears

ANFJ-L20



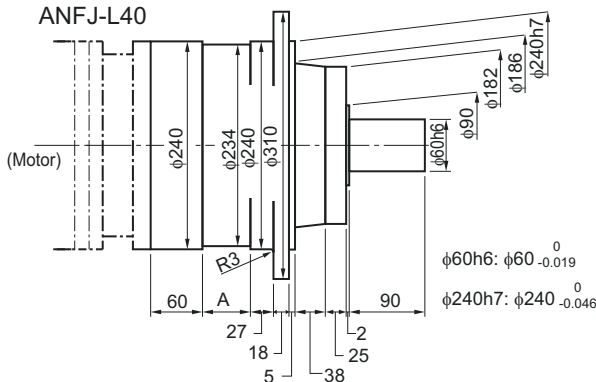
Gear Ratio	A
1/5	6
1/9	18
1/20, 1/29	37
1/45	47

ANFJ-L30



Gear Ratio	A
1/5	11
1/9	38
1/20, 1/29	42
1/45	52

ANFJ-L40



Gear Ratio	A
1/5	16
1/9	48
1/20, 1/29	48
1/45	58

3.16.5 SGMGH Servomotors (1000 min<sup>-1</sup>) With Low-backlash Gears and Without Brakes (Flange-mounted Type)

Units: mm

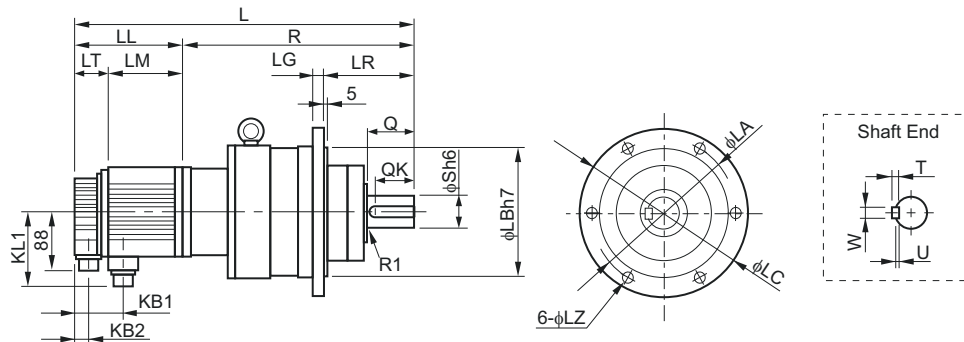
Model SGMGH-	Gear Type	Gear Ratio	L	LL	LM	R	Approx. Mass kg	Shaft Center Allowable Radial Load N
03A□BL14	ANFJ-L20	1/5	394	138	92	256	14	833
03A□BL24		1/9	406	138	92	268	14	980
03A□BL54		1/20	425	138	92	287	16	1270
06A□BL14		1/5	417	161	115	256	16	833
06A□BL24		1/9	429	161	115	268	16	980
09A□BL14		1/5	441	185	139	256	18	833



■ Lubrication

- Since grease has been filled prior to shipment, the servomotors can be used without replenishing grease.

(2) Large Grease Lubricating Type



Units: mm

Model SGMGH-	Gear Model	Gear Ratio	L	LL	LM	LR	LT	KB1	KB2	KL1	R	Shaft Center Allowable Radial Load N
03A□BL74	ANFJ-L30	1/29	491	138	92	140	46	73	21	109	353	2940
03A□BL84		1/45	501	138	92	140	46	73	21	109	363	3430
06A□BL54		1/20	514	161	115	140	46	73	21	109	353	2650
06A□BL74		1/29	514	161	115	140	46	73	21	109	353	2940
06A□BL84	ANFJ-L40	1/45	565	161	115	160	46	73	21	109	404	8040
09A□BL24	ANFJ-L30	1/9	534	185	139	140	46	73	21	109	349	1960
09A□BL54		1/20	538	185	139	140	46	73	21	109	353	2650
09A□BL74	ANFJ-L40	1/29	579	185	139	160	46	73	21	109	394	6860
09A□BL84		1/45	589	185	139	160	46	73	21	109	404	8040
12A□BL14	ANFJ-L30	1/5	509	166	119	140	47	77	22	140	343	1670
12A□BL24		1/9	536	166	119	140	47	77	22	140	370	1960
12A□BL54	ANFJ-L40	1/20	581	166	119	160	47	77	22	140	415	6080
12A□BL74		1/29	581	166	119	160	47	77	22	140	415	6860
12A□BL84		1/45	591	166	119	160	47	77	22	140	425	8040
20A□BL14	ANFJ-L30	1/5	535	192	145	140	47	77	22	140	343	1670
20A□BL24		1/9	562	192	145	140	47	77	22	140	370	1960
20A□BL54	ANFJ-L40	1/20	607	192	145	160	47	77	22	140	415	6080
30A□BL14		1/5	609	226	179	160	47	77	22	140	383	3820
30A□BL24		1/9	641	226	179	160	47	77	22	140	415	4700

Model SGMGH-	Gear Ratio	Flange Face Dimensions mm					Shaft-end Dimensions mm						Approx. Mass kg
		LA	LB	LC	LG	LZ	Q	QK	S	T	U	W	
03A□BL74	1/29	220	190	245	15	12	75	65	50	9	5.5	14	31
03A□BL84	1/45	220	190	245	15	12	75	65	50	9	5.5	14	31
06A□BL54	1/20	220	190	245	15	12	75	65	50	9	5.5	14	33
06A□BL74	1/29	220	190	245	15	12	75	65	50	9	5.5	14	33
06A□BL84	1/45	280	240	310	18	14	90	78	60	11	7	18	53
09A□BL24	1/9	220	190	245	15	12	75	65	50	9	5.5	14	35
09A□BL54	1/20	220	190	245	15	12	75	65	50	9	5.5	14	35
09A□BL74	1/29	280	240	310	18	14	90	78	60	11	7	18	55
09A□BL84	1/45	280	240	310	18	14	90	78	60	11	7	18	55
12A□BL14	1/5	220	190	245	15	12	75	65	50	9	5.5	14	32
12A□BL24	1/9	220	190	245	15	12	75	65	50	9	5.5	14	39
12A□BL54	1/20	280	240	310	18	14	90	78	60	11	7	18	59
12A□BL74	1/29	280	240	310	18	14	90	78	60	11	7	18	59
12A□BL84	1/45	280	240	310	18	14	90	78	60	11	7	18	59
20A□BL14	1/5	220	190	245	15	12	75	65	50	9	5.5	14	36
20A□BL24	1/9	220	190	245	15	12	75	65	50	9	5.5	14	43
20A□BL54	1/20	280	240	310	18	14	90	78	60	11	7	18	63
30A□BL14	1/5	280	240	310	18	14	90	78	60	11	7	18	58
30A□BL24	1/9	280	240	310	18	14	90	78	60	11	7	18	68



#### ■ Lubrication

- Since grease has been filled prior to shipment, the servomotors can be used without replenishing grease.

[www.nicsanat.com](http://www.nicsanat.com)

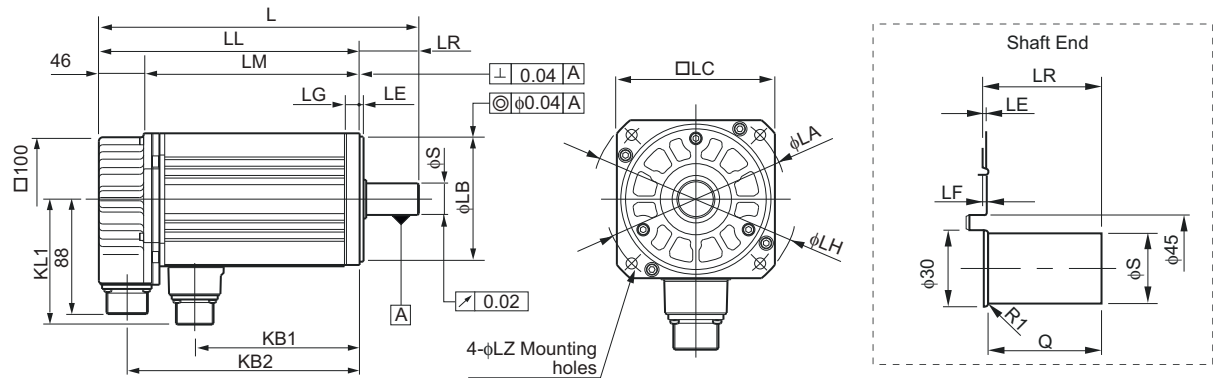
021-87700210



### 3.17 Dimensional Drawings of SGMSH Servomotors (3000 min<sup>-1</sup>)

#### 3.17.1 SGMSH Servomotors (3000 min<sup>-1</sup>) Without Gears and Without Brakes

Models with oil seals are of the same configuration.



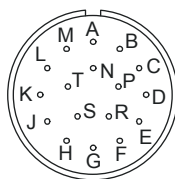
Note: For the specifications of the other shaft ends, refer to 3.20 Shaft End Specifications for SGMGH, SGMSH and SGMDSH Servomotors.

Units: mm

Models SGMSH-	L	LL	LM	LR	KB1	KB2	KL1	Shaft-end Dimensions		Approx. Mass kg
								S	Q	
10A□A21	194	149	103	45	76	128	96	24 <sup>0</sup> <sub>-0.013</sub>	40	4.6
15A□A21	220	175	129	45	102	154	96	24 <sup>0</sup> <sub>-0.013</sub>	40	5.8
20A□A21	243	198	152	45	125	177	96	24 <sup>0</sup> <sub>-0.013</sub>	40	7.0
30A□A21	262	199	153	63	124	178	114	28 <sup>0</sup> <sub>-0.013</sub>	55	11
40A□A21	299	236	190	63	161	215	114	28 <sup>0</sup> <sub>-0.013</sub>	55	14
50A□A21	339	276	230	63	201	255	114	28 <sup>0</sup> <sub>-0.013</sub>	55	17

Model SGMSH-	Flange Face Dimensions mm								Allowable Radial Load N	Allowable Thrust Load N
	LA	LB	LC	LE	LF	LG	LH	LZ		
10A□A21	115	95 <sup>0</sup> <sub>-0.035</sub>	100	3	3	10	130	7	686	196
15A□A21	115	95 <sup>0</sup> <sub>-0.035</sub>	100	3	3	10	130	7	686	196
20A□A21	115	95 <sup>0</sup> <sub>-0.035</sub>	100	3	3	10	130	7	686	196
30A□A21	145	110 <sup>0</sup> <sub>-0.035</sub>	130	6	6	12	165	9	980	392
40A□A21	145	110 <sup>0</sup> <sub>-0.035</sub>	130	6	6	12	165	9	1176	392
50A□A21	145	110 <sup>0</sup> <sub>-0.035</sub>	130	6	6	12	165	9	1176	392

• Cable Specifications for Detector Connectors  
(17-bit Encoder)

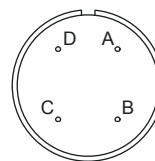


Receptacle: MS3102A20-29P  
Applicable plug (Purchased by the customer)  
Plug: MS3108B20-29S  
Cable clamp: MS3057-12A

With an Absolute Encoder

A	-	K	-
B	-	L	-
C	DATA+	M	-
D	DATA-	N	-
E	-	P	-
F	-	R	-
G	0V	S	BATT-
H	+5VDC	T	BATT+
J	FG(Frame ground)	-	-

• Cable Specifications for Servomotor  
Connectors



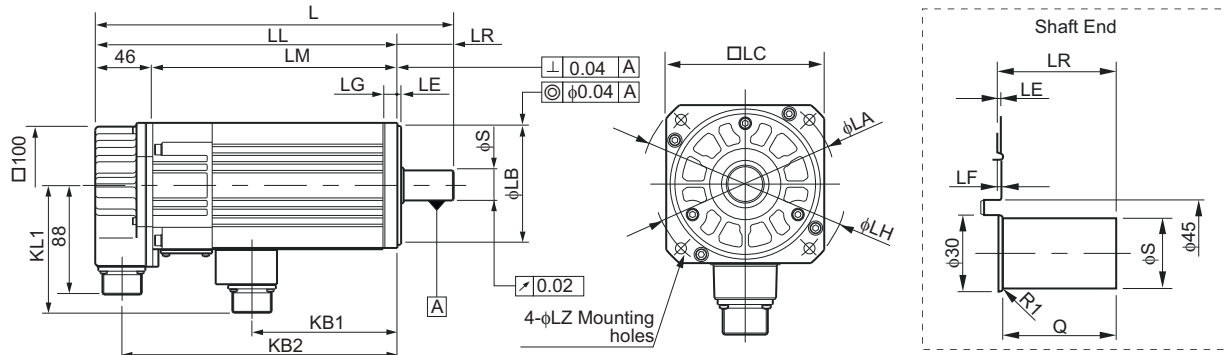
A	Phase U
B	Phase V
C	Phase W
D	FG (Frame ground)

With an Incremental Encoder

A	-	K	-
B	-	L	-
C	DATA+	M	-
D	DATA-	N	-
E	-	P	-
F	-	R	-
G	0V	S	-
H	+5VDC	T	-
J	FG(Frame ground)	-	-

### 3.17.2 SGMSH Servomotors (3000 min<sup>-1</sup>) 200-V Specifications Without Gears and With Brakes

Models with oil seals are of the same configuration.



Note: For the specifications of the other shaft ends, refer to 3.20 Shaft End Specifications for SGMGH, SGMSH and SGMDSH Servomotors.

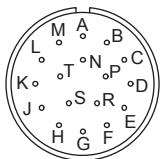
Units: mm

Model SGMSH-	L	LL	LM	LR	KB1	KB2	KL1	Shaft-end Dimensions		Approx. Mass kg
								S	Q	
10A□A2B	238	193	147	45	67	171	102	24 <sup>0</sup> <sub>-0.013</sub>	40	6.0
15A□A2B	264	219	173	45	93	197	102	24 <sup>0</sup> <sub>-0.013</sub>	40	7.5
20A□A2B	287	242	196	45	116	220	102	24 <sup>0</sup> <sub>-0.013</sub>	40	8.5
30A□A2B	300	237	191	63	114	216	119	28 <sup>0</sup> <sub>-0.013</sub>	55	14
40A□A2B	337	274	228	63	151	253	119	28 <sup>0</sup> <sub>-0.013</sub>	55	17
50A□A2B	377	314	268	63	191	293	119	28 <sup>0</sup> <sub>-0.013</sub>	55	20

Model SGMSH-	Flange Face Dimensions mm								Allowable Radial Load N	Allowable Thrust Load N
	LA	LB	LC	LE	LF	LG	LH	LZ		
10A□A2B	115	95 <sup>0</sup> <sub>-0.035</sub>	100	3	3	10	130	7	686	196
15A□A2B	115	95 <sup>0</sup> <sub>-0.035</sub>	100	3	3	10	130	7	686	196
20A□A2B	115	95 <sup>0</sup> <sub>-0.035</sub>	100	3	3	10	130	7	686	196
30A□A2B	145	110 <sup>0</sup> <sub>-0.035</sub>	130	6	6	12	165	9	980	392
40A□A2B	145	110 <sup>0</sup> <sub>-0.035</sub>	130	6	6	12	165	9	1176	392
50A□A2B	145	110 <sup>0</sup> <sub>-0.035</sub>	130	6	6	12	165	9	1176	392

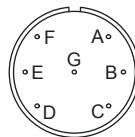


• Cable Specifications for Detector Connectors  
(17-bit Encoder)



Receptacle: MS3102A20-29P  
Applicable plug (Purchased by the customer)  
Plug: MS3108B20-29S  
Cable clamp: MS3057-12A

• Cable Specifications for Servomotor Connectors



A	Phase U	E	Brake terminal
B	Phase V	F	Brake terminal
C	Phase W	G	–
D	FG (Frame ground)	–	–

With an Absolute Encoder

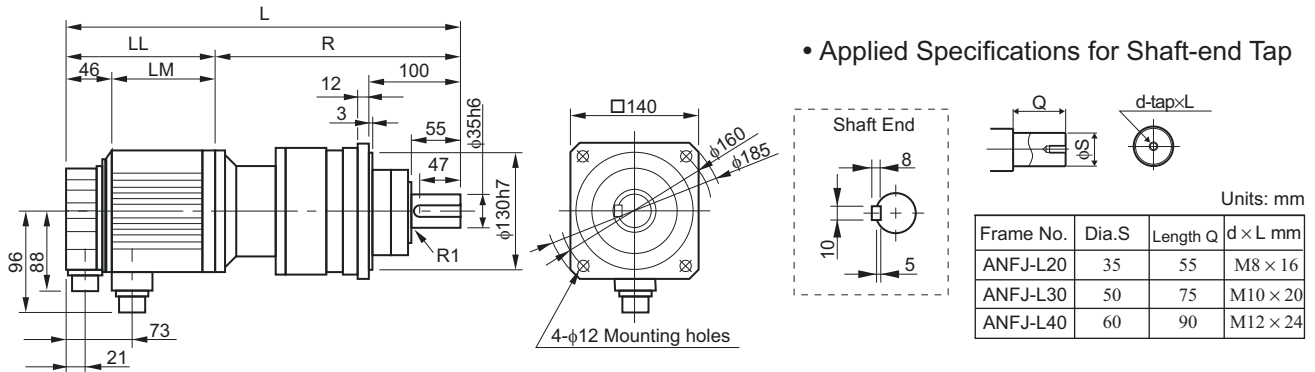
A	–	K	–
B	–	L	–
C	DATA+	M	–
D	DATA-	N	–
E	–	P	–
F	–	R	–
G	0V	S	BATT-
H	+5VDC	T	BATT+
J	FG (Frame ground)	–	–

With an Incremental Encoder

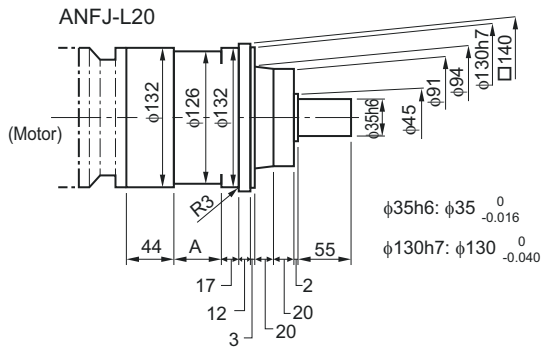
A	–	K	–
B	–	L	–
C	DATA+	M	–
D	DATA-	N	–
E	–	P	–
F	–	R	–
G	0V	S	–
H	+5VDC	T	–
J	FG(Frame ground)	–	–

### 3.17.3 SGMSH Servomotors (3000 min<sup>-1</sup>) With Low-backlash Gears and Without Brakes (Flange-mounted Type)

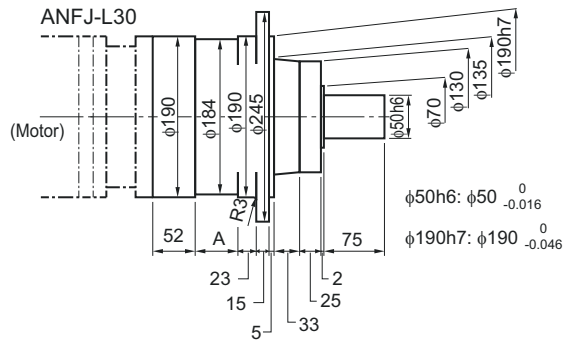
#### (1) Small Grease Lubricating Type



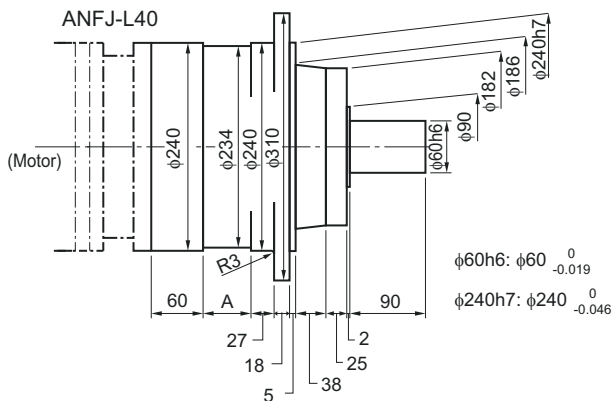
• Detailed Dimensions of IMT Gears



Gear Ratio	A
1/5	6
1/9	18
1/20, 1/29	37
1/45	47



Gear Ratio	A
1/5	11
1/9	38
1/20, 1/29	42
1/45	52



Gear Ratio	A
1/5	16
1/9	48
1/20, 1/29	48
1/45	58

Units: mm

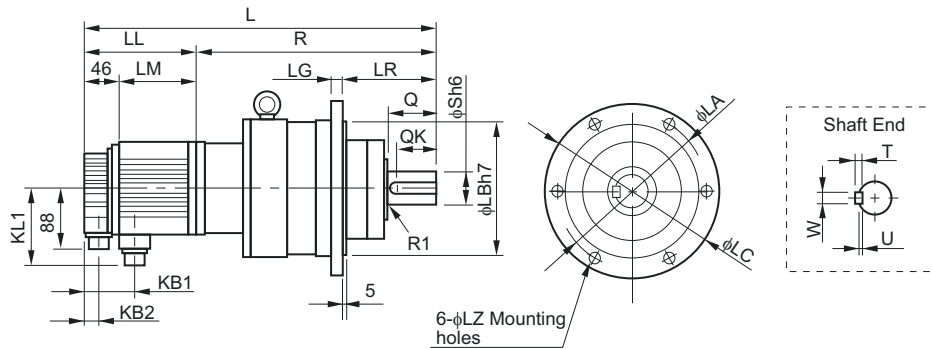
Model SGMSH-	Gear Model	Gear Ratio	L	LL	LM	R	Shaft Center Allowable Radial Load N	Approx. Mass kg
10A□AL14	ANFJ-L20	1/5	403	149	103	254	833	13
10A□AL24		1/9	415	149	103	266	980	13
15A□AL14		1/5	429	175	129	254	833	14
20A□AL14		1/5	452	198	152	254	833	15



■ Lubrication

- Since grease has been filled prior to shipment, the servomotors can be used without replenishing grease.

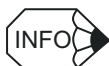
(2) Large Grease Lubricating Type



Units: mm

Model SGMSH-	Gear Model	Gear Ratio	L	LL	LM	LR	KB1	KB2	KL1	R	Shaft Center Allowable Radial Load N
10A□AL54	ANFJ-L30	1/20	496	149	103	140	73	21	96	347	2650
10A□AL74		1/29	496	149	103	140	73	21	96	347	2940
10A□AL84		1/45	506	149	103	140	73	21	96	357	3430
15A□AL24		1/9	518	175	129	140	73	21	96	343	1960
15A□AL54		1/20	522	175	129	140	73	21	96	347	2650
15A□AL74		1/29	522	175	129	140	73	21	96	347	2940
15A□AL84	ANFJ-L40	1/45	573	175	129	160	73	21	96	398	8040
20A□AL24	ANFJ-L30	1/9	541	198	152	140	73	21	96	343	1960
20A□AL54		1/20	545	198	152	140	73	21	96	347	2650
20A□AL74	ANFJ-L40	1/29	586	198	152	160	73	21	96	388	6860
20A□AL84		1/45	596	198	152	160	73	21	96	398	8040
30A□AL14	ANFJ-L30	1/5	540	199	153	140	75	21	114	341	1670
30A□AL24		1/9	567	199	153	140	75	21	114	368	1960
30A□AL54	ANFJ-L40	1/20	612	199	153	160	75	21	114	413	6080
30A□AL74		1/29	612	199	153	160	75	21	114	413	6860
30A□AL84		1/45	622	199	153	160	75	21	114	423	8040
40A□AL14	ANFJ-L30	1/5	577	236	190	140	75	21	114	341	1670
40A□AL24	ANFJ-L40	1/9	649	236	190	160	75	21	114	413	4700
40A□AL54		1/20	649	236	190	160	75	21	114	413	6080
40A□AL74		1/29	649	236	190	160	75	21	114	413	6860
50A□AL14		1/5	657	276	230	160	75	21	114	381	3820
50A□AL24		1/9	689	276	230	160	75	21	114	413	4700
50A□AL54		1/20	689	276	230	160	75	21	114	413	6080

Model SGMSH-	Gear Ratio	Flange Face Dimensions mm					Shaft-end Dimensions mm						Approx. Mass kg
		LA	LB	LC	LG	LZ	Q	QK	S	T	U	W	
10A□AL54	1/20	220	190	245	15	12	75	65	50	9	5.5	14	30
10A□AL74	1/29	220	190	245	15	12	75	65	50	9	5.5	14	30
10A□AL84	1/45	220	190	245	15	12	75	65	50	9	5.5	14	30
15A□AL24	1/9	220	190	245	15	12	75	65	50	9	5.5	14	31
15A□AL54	1/20	220	190	245	15	12	75	65	50	9	5.5	14	31
15A□AL74	1/29	220	190	245	15	12	75	65	50	9	5.5	14	31
15A□AL84	1/45	280	240	310	18	14	90	78	60	11	7	18	51
20A□AL24	1/9	220	190	245	15	12	75	65	50	9	5.5	14	32
20A□AL54	1/20	220	190	245	15	12	75	65	50	9	5.5	14	32
20A□AL74	1/29	280	240	310	18	14	90	78	60	11	7	18	52
20A□AL84	1/45	280	240	310	18	14	90	78	60	11	7	18	52
30A□AL14	1/5	220	190	245	15	12	75	65	50	9	5.5	14	29
30A□AL24	1/9	220	190	245	15	12	75	65	50	9	5.5	14	36
30A□AL54	1/20	280	240	310	18	14	90	78	60	11	7	18	56
30A□AL74	1/29	280	240	310	18	14	90	78	60	11	7	18	56
30A□AL84	1/45	280	240	310	18	14	90	78	60	11	7	18	56
40A□AL14	1/5	220	190	245	15	12	75	65	50	9	5.5	14	32
40A□AL24	1/9	280	240	310	18	14	90	78	60	11	7	18	59
40A□AL54	1/20	280	240	310	18	14	90	78	60	11	7	18	59
40A□AL74	1/29	280	240	310	18	14	90	78	60	11	7	18	59
50A□AL14	1/5	280	240	310	18	14	90	78	60	11	7	18	52
50A□AL24	1/9	280	240	310	18	14	90	78	60	11	7	18	62
50A□AL54	1/20	280	240	310	18	14	90	78	60	11	7	18	62



■ Lubrication

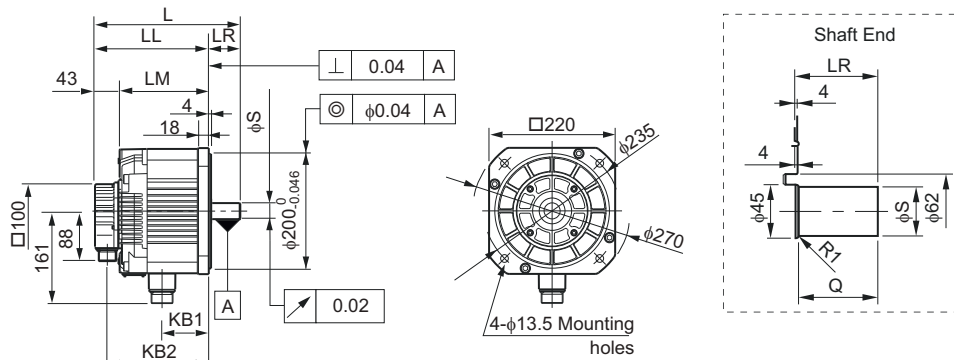
- Since grease has been filled prior to shipment, the servomotors can be used without replenishing grease.

### 3.18 Dimensional Drawings of SGMDH Servomotors ( $2000 \text{ min}^{-1}$ )

These Servomotors are not provided with gears.

#### 3.18.1 SGMDH Servomotors ( $2000 \text{ min}^{-1}$ ) Without Gears and With/Without Brakes

Models with oil seals are of the same configuration.



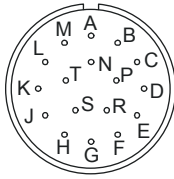
Note: For the specifications of the other shaft ends, refer to 3.20 Shaft End Specifications for SGMGH, SGMSh and SGMDH Servomotors.

Units: mm

Model SGMDH-	L	LL	LM	LR	KB1	KB2	Shaft-end Dimensions		Approx. Mass kg		Allowable Radial Load N	Allowable Thrust Load N
							S	Q	Without Brakes	With Brakes		
22A□A21	242	187	144	55	70	165	$28^{0}_{-0.013}$	50	15.5	20.5	1176	490
32A□A21	254	199	156	55	82	177	$28^{0}_{-0.013}$	50	18.5	23.5	1176	490
40A□A21	274	209	166	65	92	187	$32^{0}_{-0.016}$	60	21	26	1176	490

- \* 1. The detector is a 17-bit encoder (absolute/incremental).
- \* 2. For Servomotors with brakes, □B is appended to the end of each model name.

• Cable Specifications for Detector Connectors (17-bit Encoder)



Receptacle: MS3102A20-29P  
 Applicable plug (Purchased by the customer)  
 Plug: MS3108B20-29S  
 Cable clamp: MS3057-12A

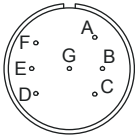
With an Absolute Encoder

A	-	K	-
B	-	L	-
C	DATA+	M	-
D	DATA-	N	-
E	-	P	-
F	-	R	-
G	0V	S	BATT-
H	+5VDC	T	BATT+
J	FG (Frame ground)	-	-

With an Incremental Encoder

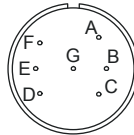
A	-	K	-
B	-	L	-
C	DATA+	M	-
D	DATA-	N	-
E	-	P	-
F	-	R	-
G	0V	S	-
H	+5VDC	T	-
J	FG (Frame ground)	-	-

• Cable Specifications for Brake Connectors  
 Without brakes



A	Phase U
B	Phase V
C	Phase W
D	FG(Frame ground)
E	-
F	-
G	-

With brakes



A	Phase U
B	Phase V
C	Phase W
D	FG (Frame ground)
E	Brake terminal
F	Brake terminal
G	-

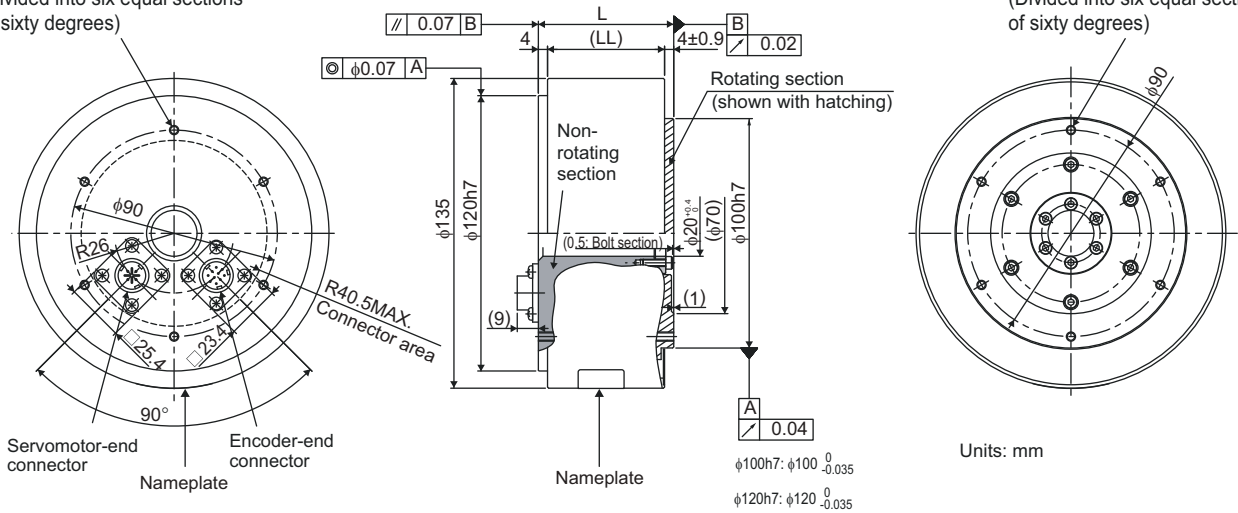
### 3.19 Dimensional Drawings of SGMCS Servomotors

#### 3.19.1 SGMCS Servomotors $\phi 135$ Model

##### (1) Applicable flange: 1

6 × M4 tapped, depth 8  
(Divided into six equal sections of sixty degrees)

6 × M4 tapped, depth 8  
(Divided into six equal sections of sixty degrees)

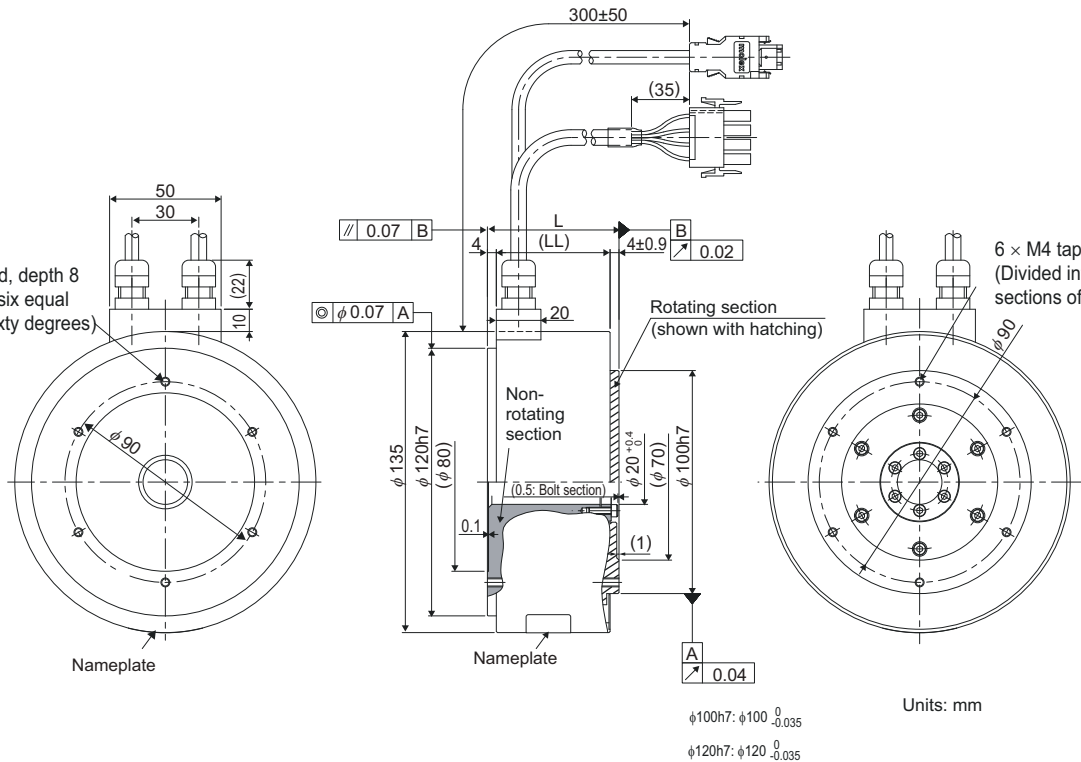


Model SGMCS-	L	(LL)	Approx. Mass kg
02B□C11	59	51	4.8
05B□C11	88	80	5.8
07B□C11	128	120	8.2

##### (2) Applicable flange: 4

6 × M4 tapped, depth 8  
(Divided into six equal sections of sixty degrees)

6 × M4 tapped, depth 8  
(Divided into six equal sections of sixty degree)

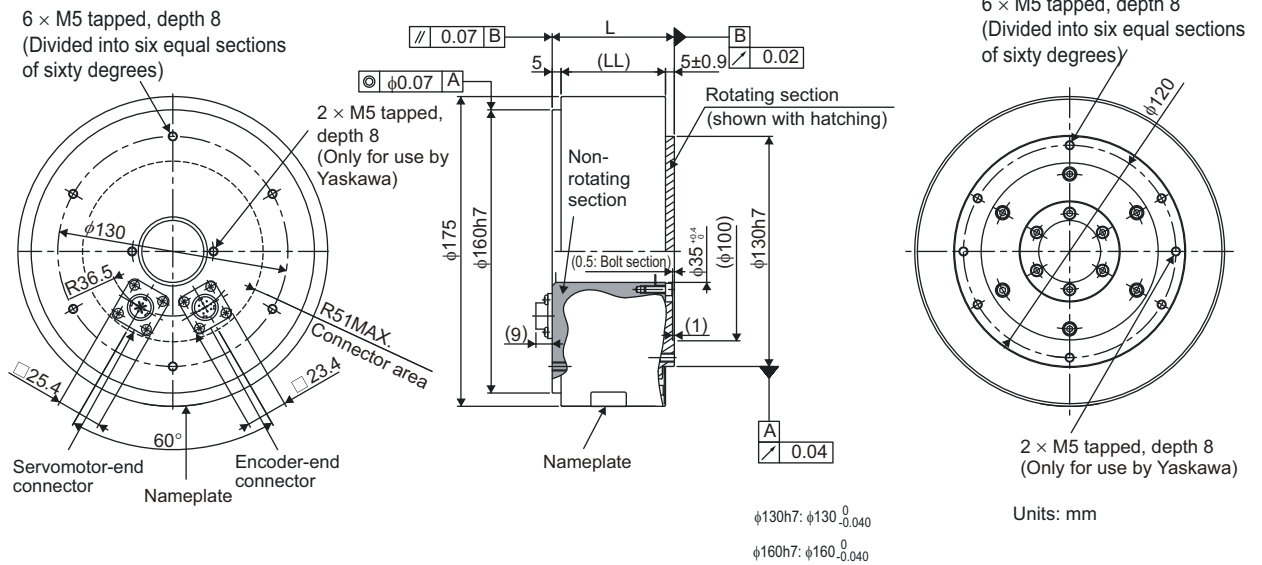


Model SGMCS-	L	(LL)	Approx. Mass kg
02B□C41	59	51	4.8
05B□C41	88	80	5.8
07B□C41	128	120	8.2



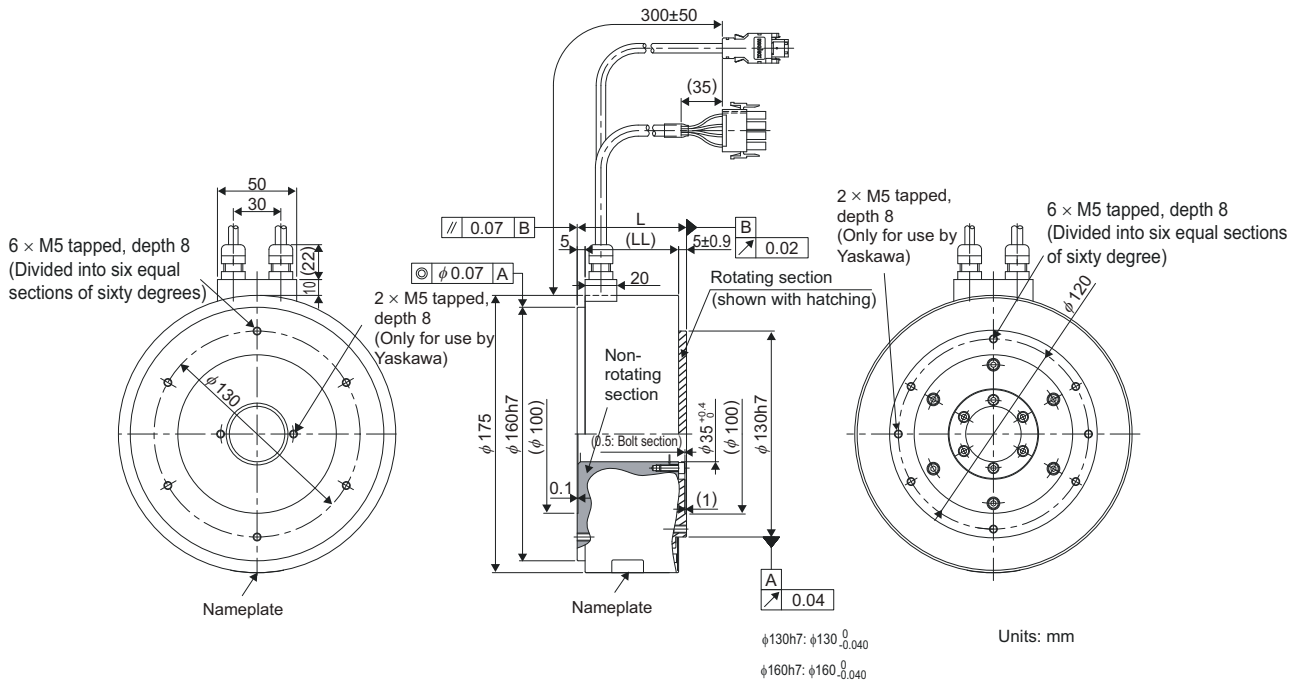
### 3.19.2 SGMCS Servomotors $\phi 175$ Model

#### (1) Applicable flange: 1



Model SGMCS-	L	(LL)	Approx. Mass kg
04C□C11	69	59	7.2
10C□C11	90	80	10.2
14C□C11	130	120	14.2

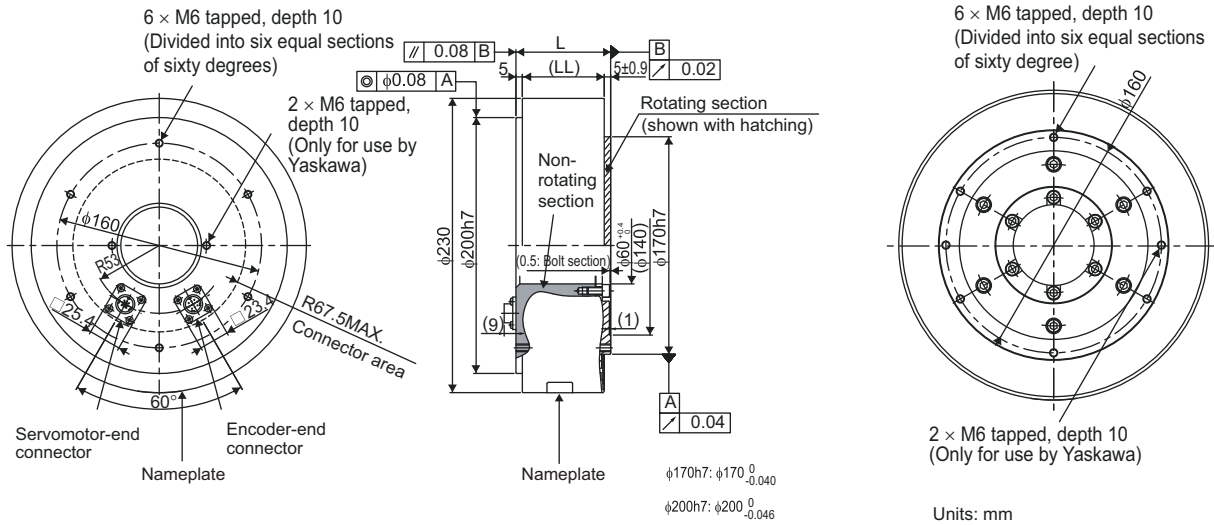
#### (2) Applicable flange: 4



Model SGMCS-	L	(LL)	Approx. Mass kg
04C□C41	69	59	7.2
10C□C41	90	80	10.2
14C□C41	130	120	14.2

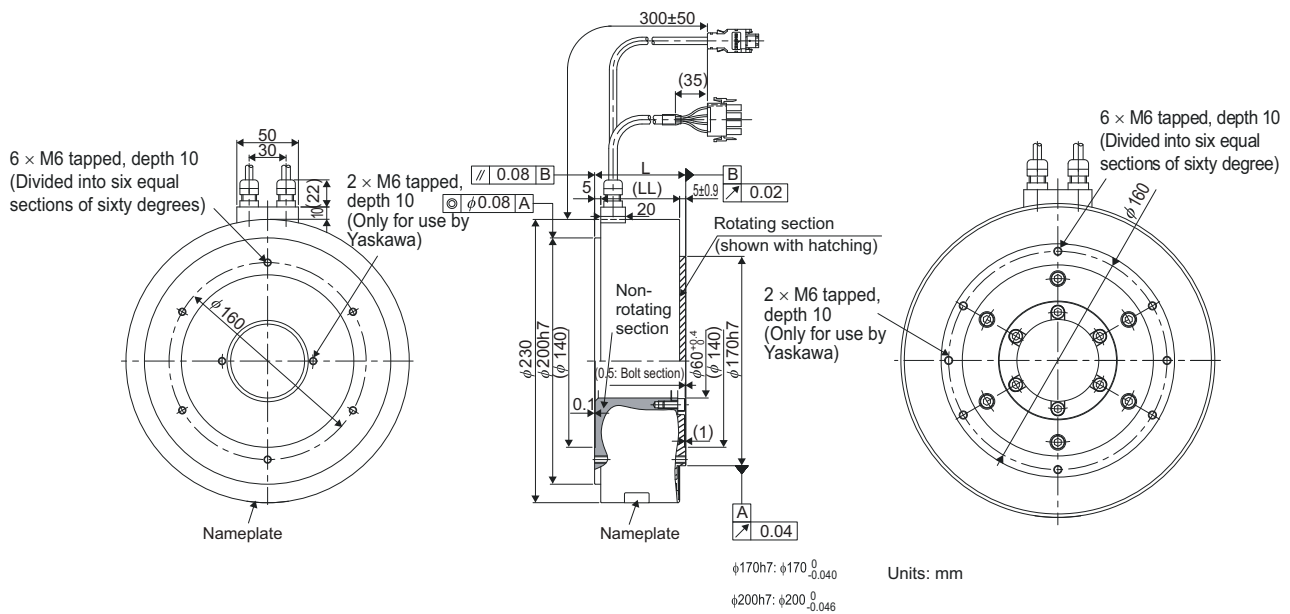
### 3.19.3 SGMCS Servomotors $\phi 230$ Model

#### (1) Applicable flange: 1



Model SGMCS-	L	(LL)	Approx. Mass kg
08D□C11	74	64	14.0
17D□C11	110	100	22.0
25D□C11	160	150	29.7

#### (2) Applicable flange: 4

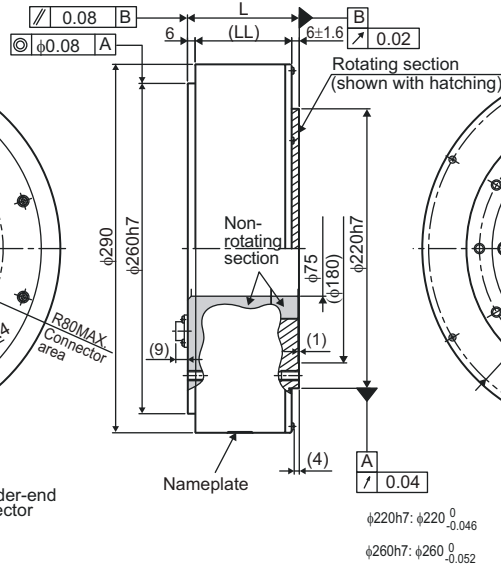
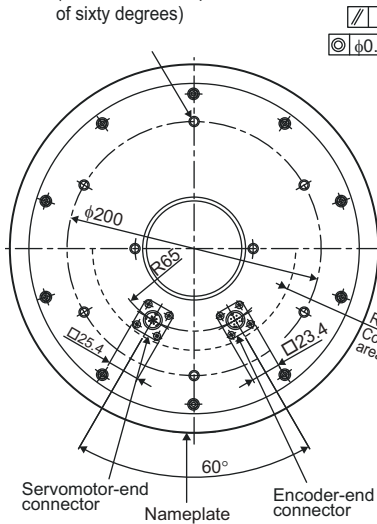


Model SGMCS-	L	(LL)	Approx. Mass kg
08D□C41	74	64	14.0
17D□C41	110	100	22.0
25D□C41	160	150	29.7

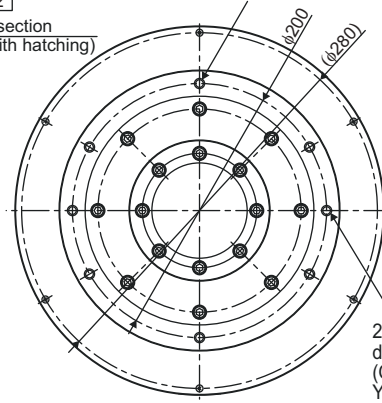
### 3.19.4 SGMCS Servomotors $\phi 290$ Model

#### (1) Applicable flange: 1

6  $\times$  M8 tapped, depth 14  
(Divided into six equal sections of sixty degrees)



6  $\times$  M8 tapped, depth 14  
(Divided into six equal sections of sixty degrees)



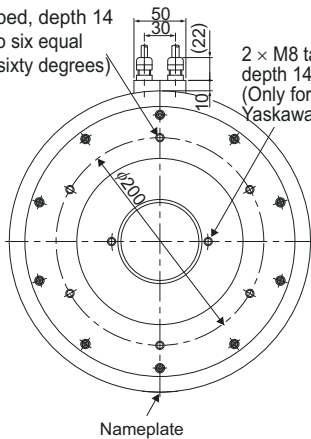
2  $\times$  M8 tapped, depth 14  
(Only for use by Yaskawa)

Units: mm

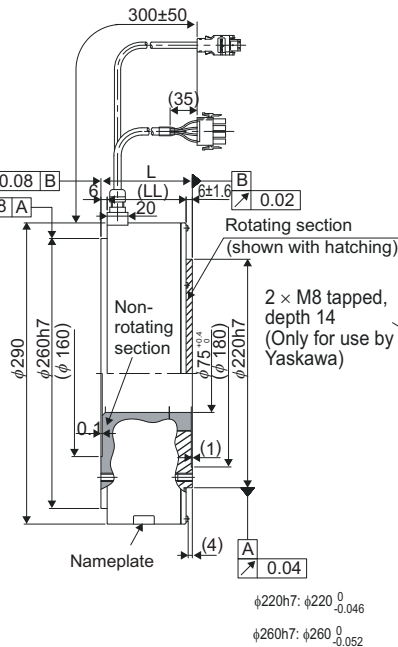
Model SGMCS-	L	(LL)	Approx. Mass kg
16E□B11	88	76	26.0
35E□B11	112	100	34.0

#### (2) Applicable flange: 4

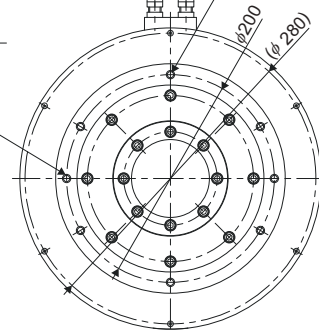
6  $\times$  M8 tapped, depth 14  
(Divided into six equal sections of sixty degrees)



2  $\times$  M8 tapped, depth 14  
(Only for use by Yaskawa)



6  $\times$  M8 tapped, depth 14  
(Divided into six equal sections of sixty degrees)



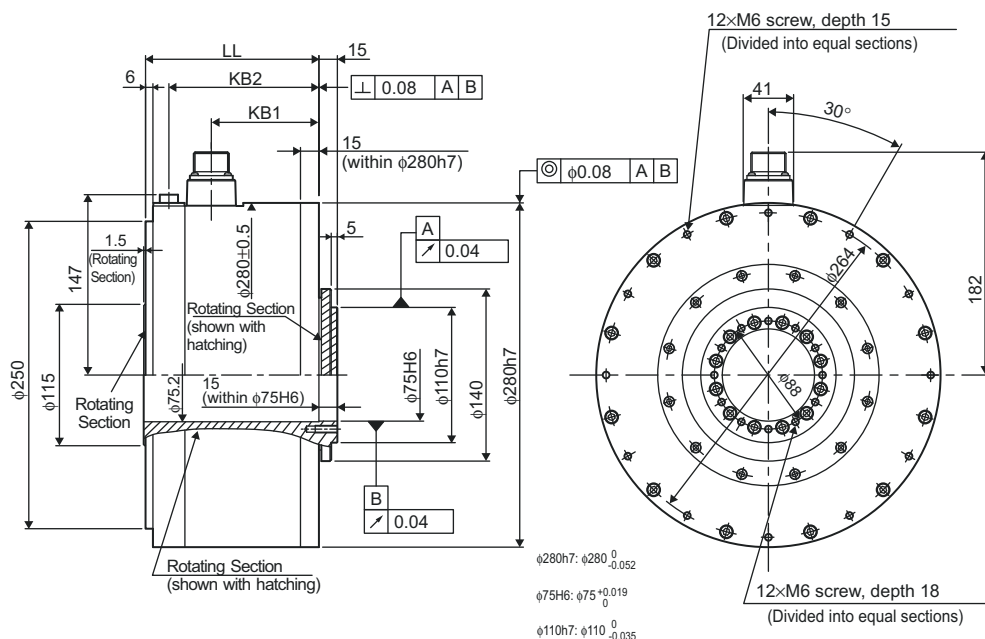
2  $\times$  M8 tapped, depth 14  
(Only for use by Yaskawa)

Units: mm

Model SGMCS-	L	(LL)	Approx. Mass kg
16E□B41	88	76	26.0
35E□B41	112	100	34.0

### 3.19.5 SGMCS Servomotors $\phi 280$ Model

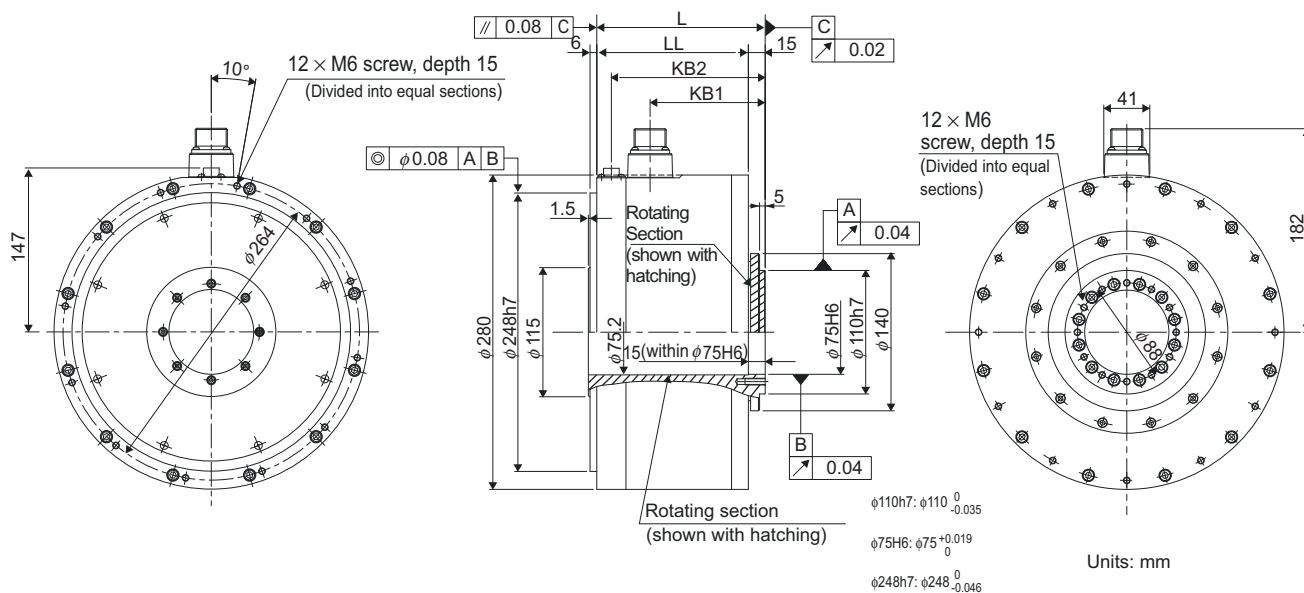
#### (1) Applicable flange: 1



Units: mm

Model SGMCS-	LL	KB1	KB2	Approx. Mass kg
45M□A11	141	87.5	122	38
80M□A11	191	137.5	172	45
1AM□A11	241	187.5	222	51

#### (2) Applicable flange: 3

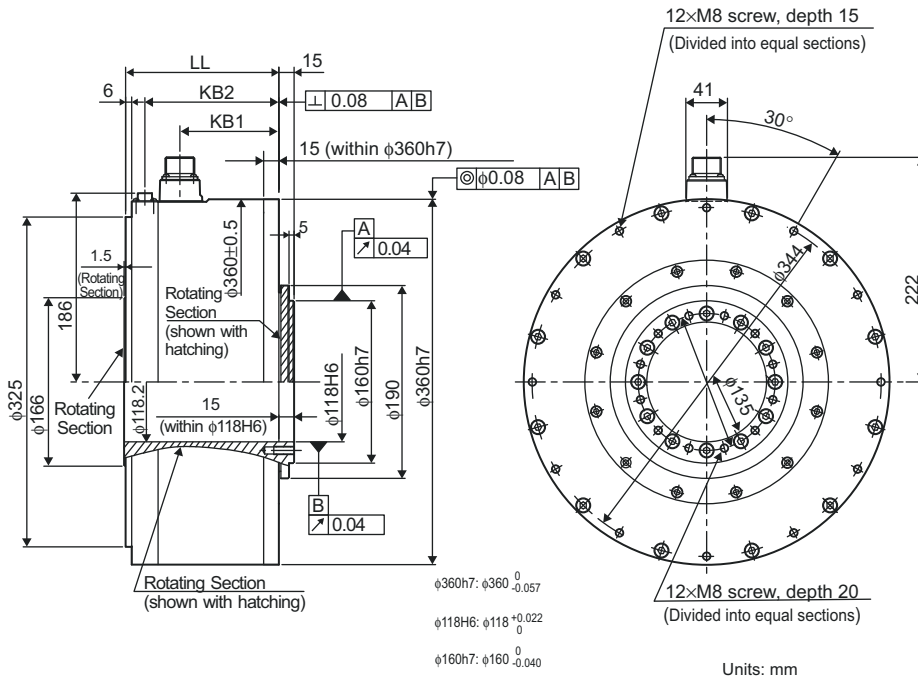


Units: mm

Model SGMCS-	L	LL	KB1	KB2	Approx. Mass kg
45M□A31	150	135	102.5	137	38
80M□A31	200	185	152.5	187	45
1AM□A31	250	235	202.5	237	51

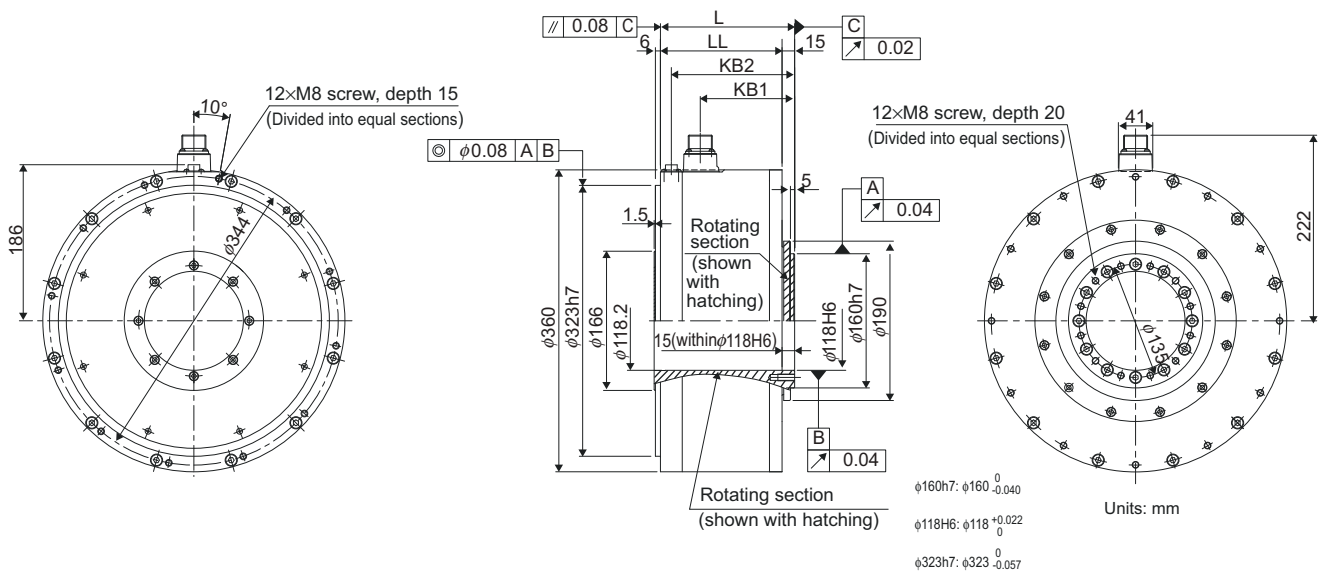
### 3.19.6 SGMCS Servomotors $\phi 360$ Model

#### (1) Applicable flange: 1



Model SGMCS-	LL	KB1	KB2	Approx. Mass kg
80N□A11	151	98	132	50
1EN□A11	201	148	182	68
2ZN□A11	251	198	232	86

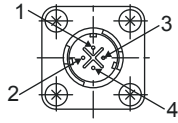
#### (2) Applicable flange: 3



Model SGMCS-	L	LL	KB1	KB2	Approx. Mass kg
80N□A31	160	145	113	147	50
1EN□A31	210	195	163	197	68
2ZN□A31	260	245	213	247	86

• Servomotor Connector for Small-capacity Series Servomotors  
Applicable Flange: 1, 3

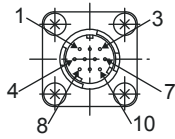
Servomotor-end Connector Cable Specifications



Model: JN1AS04MK2  
 Manufacturer: Japan Aviation Electronics Industry, Ltd.  
 Applicable plug: JN1DS04FK1  
 (Provided by the customer.)

1	Phase U
2	Phase V
3	Phase W
4	FG (Frame ground)

Encoder-end Connector Cable Specifications

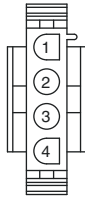


Model: JN1AS10ML1  
 Manufacturer: Japan Aviation Electronics Industry, Ltd.  
 Applicable plug: JN1DS10SL1  
 (Provided by the customer.)

1	PS
2	*PS
3	—
4	PG5V
5	—
6	—
7	FG (Frame ground)
8	—
9	PG0V
10	—

• Servomotor-end Connector for Small-capacity Series Servomotors  
Applicable Flange: 4

Servomotor-end Connector Cable Specifications



Model

- Plug: 350779-1
- Pin: 350561-3 or 350690-3 (No.1 to 3)
- Ground pin: 350654-1 or 350669-1 (No.4)

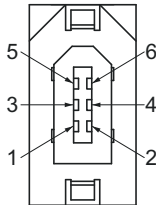
Manufacturer: Tyco Electronics AMP K.K.

Applicable plug

- Cap: 350780-1
- Socket: 350570-3 or 350689-3

1	Phase U	Red
2	Phase V	White
3	Phase W	Blue
4	FG (Frame ground)	Green (yellow)

Encoder-end Connector Cable Specifications



Model: 55102-0600

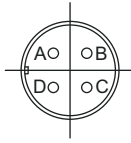
Manufacturer: Molex Japan Co., Ltd.

Applicable plug: 54280-0600

1	PG5V
2	PG0V
3	—
4	—
5	PS
6	/PS
Connector case	FG (Frame ground)

• Servomotor Connector for All Middle-capacity Series Servomotors

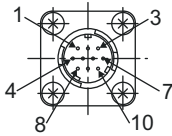
Servomotor-end Connector Cable Specifications



Model: CE05-2A18-10PD  
 Manufacturer: DDK Ltd.  
 Applicable plug and cable  
 • Plug: CE05-6A18-10SD-B-BSS  
 • Cable clamp: CE3057-10A-\*(D265)  
 (Provided by the customer.)

A	Phase U
B	Phase V
C	Phase W
D	FG (Frame ground)

Encoder-end Connector Cable Specifications



Model: JN1AS10ML1  
 Manufacturer: Japan Aviation Electronics Industry, Ltd.  
 Applicable plug: JN1DS10SL1  
 (Provided by the customer.)

1	PS
2	*PS
3	-
4	PG5V
5	-
6	-
7	FG (Frame ground)
8	-
9	PG0V
10	-



### 3.20 Shaft End Specifications for SGMGH, SGMSH and SGMDH Servomotors

SGM□H - □□□□□□□□

Symbol	Specifications	Remarks
2	Straight, without key	Standard
3	Taper 1/10, with parallel key (Key slot is JISB1301-1976 high precision. SGMGH series is interchangeable with USAGED series.)	Semi-standard
5	Taper 1/10, woodruff key (Set only for SGMGH-05 and 09. Woodruff key is JISB1302.)	Semi-standard
6	Straight, with key and tap for one location (Key slot is JISB1301-1976 high precision. Key slot tolerance is JISB1301. Both key and tap are included.)	Semi-standard

Symbol	Specifications	Shaft End
2	Straight, without key	
3	Taper 1/10 With parallel key	
5	Taper 1/10, With woodruff key	
6	Straight, With key and tap	

www.nicsanat.com  
021-87700210



## 3.20.1 SGMGH Servomotors

Units: mm

Symbol	Specifications	Model									
		SGMGH-									
		03A□B	06A□B	09A□B	12A□B	20A□B	30A□B	40A□B	55A□B	1AA□A	1EA□A
	05A□A	09A□A	13A□A	20A□A	30A□A	44A□A	55A□A	75A□A			
2	Straight	LR	58		79			113	116		
		Q	40		76			110			
		S	$19_{-0.013}^0$	$22_{-0.013}^0$	$35_{0}^{+0.01}$			$42_{-0.016}^0$	$55_{+0.011}^{+0.030}$		
3	Taper 1/10, parallel key	LR	58		102			132			
		LW	18		22						
		Q	28		58			82			
		QA	12		22			28			
		QK	25		50			70			
		X	10.3		19.2			23		26	
		S	16	19	32			42		55	
		V	21		37			44		60	
		P	M10, P1.25		M20, P1.5			M24, P2.0		M36, P3.0	
		W	5		7			10		14	
		T	5		7			8		9	
		U	4.3	5.8	10.55			13.95		19.95	
5	Taper 1/10, wood- ruff key	LR	58								
		LW	18								
		Q	28								
		QA	12								
		QK	16								
		X	10.3								
		S	16								
		V	21								
		P	M10, P1.25								
		W	5								
		T	2								
		U	4.5								
6	Straight, with key and tap	LR	58		79			113	116		
		Q	40		76			110			
		QK	25		60			90			
		S	$19_{-0.013}^0$	$22_{-0.013}^0$	$35_{0}^{+0.01}$			$42_{-0.016}^0$	$55_{+0.011}^{+0.030}$		
		W	5	6	10			12		16	
		T	5	6	8					10	
		U	3	3.5	5					6	
		P	M5 screw, depth: 12		M12 screw, depth: 25			M16 screw, depth: 32		M20 screw, depth: 40	

## 3.20.2 SGMSH Servomotors

Units: mm

Symbol	Specifications		Model					
			SGMSH-					
			10	15	20	30	40	50
2	Straight	LR	45			63		
		Q	40			55		
		S	$24_{-0.013}^0$			$28_{-0.013}^0$		
3	Taper 1/10, parallel key	LR	70			80		
		LW	20					
		Q	36			42		
		QA	14			18		
		QK	32			36		
		X	12.5			16		
		S	24			28		
		V	24			30		
		P	M12, P1.25			M16, P1.5		
		W	8					
		T	7					
		U	7.1			8.95		
5	Taper 1/10, wood-ruff key	LR	-			-		
		LW						
		Q						
		QA						
		QK						
		X						
		S						
		V						
		P						
		W						
		T						
U								
6	Straight, with key and tap	LR	45			63		
		Q	40			55		
		QK	32			50		
		S	$24_{-0.013}^0$			$28_{-0.013}^0$		
		W	8					
		T	7					
		U	4					
		P	M8 screw, depth: 16					

## 3.20.3 SGMDH Servomotors

Units: mm

Symbol	Specifications		Model		
			SGMDH-		
			22	32	40
2	Straight	LR	55	65	
		Q	50	60	
		S	$28^{0}_{-0.013}$	$32^{0}_{-0.016}$	
3	Taper 1/10, parallel key	LR	–	–	
		LW	–	–	
		Q	–	–	
		QA	–	–	
		QK	–	–	
		X	–	–	
		S	–	–	
		V	–	–	
		P	–	–	
		W	–	–	
		T	–	–	
		U	–	–	
5	Taper 1/10, wood-ruff key	LR	–	–	
		LW			
		Q			
		QA			
		QK			
		X			
		S			
		V			
		P			
		W			
		T			
		U			
6	Straight, with key and tap	LR	55	65	
		Q	50	60	
		QK	45	50	
		S	$28^{0}_{-0.013}$	$32^{0}_{-0.016}$	
		W	8	10	
		T	7	8	
		U	4	5	
		P	M8 screw, depth: 16	M12 screw, depth: 25	

## SERVOPACK Specifications and Dimensional Drawings

4.1	SERVOPACK Ratings and Specifications	4-3
4.1.1	Single-phase 100 V	4-3
4.1.2	Single-phase/Three-phase 200 V	4-3
4.1.3	SERVOPACK Ratings and Specifications	4-4
4.2	SERVOPACK Installation	4-6
4.3	SERVOPACK Internal Block Diagrams	4-8
4.3.1	Single-phase 200 V, 30 W to 400 W, and 100 V, 30 W to 200 W Models	4-8
4.3.2	Three-phase 200 V, 500 W to 1.5 kW Models	4-8
4.3.3	Three-phase 200 V, 2.0 kW to 5.0 kW Models	4-9
4.3.4	Three-phase 200 V, 6.0 kW to 15 kW Models	4-9
4.4	SERVOPACK's Power Supply Capacities and Power Losses	4-10
4.5	SERVOPACK Overload Characteristics and Allowable Load	
	Moment of Inertia	4-11
4.5.1	Overload Characteristics	4-11
4.5.2	Starting and Stopping Time	4-12
4.5.3	Load Moment of Inertia	4-12
4.6	SERVOPACK Dimensional Drawings	4-15
4.7	Dimensional Drawings of Base-mounted SERVOPACK Model	4-16
4.7.1	Single-phase 100 V: 30 W to 100 W (A3BD to 01BD, A3BDA to 01BDA)	
	Single-phase 200 V: 30 W to 200 W (A3AD to 02AD, A3ADA to 02ADA)	4-16
4.7.2	Single-phase 100 V: 200 W (02BD, 02BDA)	
	Single-phase 200 V: 400 W (04AD, 04ADA)	4-17
4.7.3	Three-phase 200 V: 500 W/750 W/1.0 kW (05AD to 10AD, 05ADA to 10ADA)	4-18
4.7.4	Three-phase 200 V: 1.5 kW (15AD, 15ADA)	4-19
4.7.5	Three-phase 200 V: 2.0 kW/3.0 kW (20AD to 30AD, 20ADA to 30ADA)	4-20
4.7.6	Three-phase 200 V: 5.0 kW (50ADA)	4-21
4.7.7	Three-phase 200 V: 6.0 kW/7.5 kW (60ADA to 75ADA)	4-22
4.7.8	Three-phase 200 V: 11.0 kW/15.0 kW (1AADA to 1EADA)	4-23

4.8 Dimensional Drawings of Rack-mounted SERVOPACK Model	4-24
4.8.1 Single-phase 100 V: 30 W/50 W/100 W (A3BD-R to 01BD-R, A3BDA-R to 01BDA-R) Single-phase 200 V: 30 W/50 W/100 W/200 W (A3AD-R to 02AD-R, A3ADA-R to 02ADA-R)	4-24
4.8.2 Single-phase 100 V: 200 W (02BD-R, 02BDA-R) Single-phase 200 V: 400 W (04AD-R, 04ADA-R)	4-25
4.8.3 Three-phase 200 V: 500 W/750 W/1.0 kW (05AD-R to 10AD-R, 05ADA-R to 10ADA-R)	4-26
4.8.4 Three-phase 200 V: 1.5 kW (15AD-R, 15ADA-R)	4-27
4.8.5 Three-phase 200 V: 2.0 kW/3.0 kW (20AD-R to 30AD-R, 20ADA-R to 30ADA-R)	4-28
4.8.6 Three-phase 200 V: 5.0 kW (50ADA-R)	4-29
4.9 Dimensional Drawings of Duct-ventilated SERVOPACK Model	4-30
4.9.1 Three-phase 200 V: 6.0 kW/7.5 kW (60ADA-P to 75ADA-P)	4-30
4.9.2 Three-phase 200 V: 11.0 kW/15.0 kW (1AADA-P/1EADA-P)	4-31

## 4.1 SERVOPACK Ratings and Specifications

### ⚠ CAUTION

- Take appropriate measures to ensure that the input power supply is supplied within the specified voltage range.  
An incorrect input power supply may result in damage to the SERVOPACK. If the voltage exceeds these values, use a step-down transformer so that the voltage will be within the specified range.

### 4.1.1 Single-phase 100 V

The value of the input power supply voltage is maximum 127 Vrms.

SERVOPACK Model SGDM-		A3B	A5B	01B	02B
Max. Applicable Servomotor Capacity (kW)		0.03	0.05	0.1	0.2
Continuous Output Current ( $A_{rms}$ )		0.66	0.95	2.4	3.0
Max. Output Current ( $A_{rms}$ )		2.0	2.9	7.2	9.0
Input Power Supply	Main Circuit	Single-phase 100 to 115 VAC +10% to -15%, 50/60 Hz			
	Control Circuit	Single-phase 100 to 115 VAC +10% to -15%, 50/60 Hz			
Configuration		Base-mounted (Rack mounting available as an option)			
Regenerative Processing		External regenerative resistor			

### 4.1.2 Single-phase/Three-phase 200 V

The value of the input power supply voltage is maximum 253 Vrms.

SERVOPACK Model SGDM-		A3A	A5A	01A	02A	04A	05A	08A	10A	15A	20A	30A	50A	60A	75A	1AA	1EA
Max. Applicable Servomotor Capacity (kW)		0.03	0.05	0.1	0.2	0.4	0.45	0.75	1.0	1.5	2.0	3.0	5.0	6.0	7.5	11	15
Continuous Output Current ( $A_{rms}$ )		0.44	0.64	0.91	2.1	2.8	3.8	5.7	7.6	11.6	18.5	24.8	32.9	46.9	54.7	58.6	78.0
Max. Output Current ( $A_{rms}$ )		1.3	2.0	2.8	6.5	8.5	11.0	13.9	17	28	42	56	84	110	130	140	170
Input Power Supply	Main Circuit	Single-phase/Three-phase 200 to 230 VAC +10% to -15%, 50/60 Hz															
	Control Circuit	Single-phase 200 to 230 VAC +10% to -15%, 50/60 Hz															
Configuration		Base-mounted (Rack mounting available as an option)												Base-mounted (Duct-ventilated available as an option)			
Regenerative Processing		External regenerative resistor						Built-in						External regenerative resistor			

## 4.1.3 SERVOPACK Ratings and Specifications

Basic Specifications	Control Method		Single or three-phase full-wave rectification IGBT-PWM (sine-wave driven)	
	Feedback		Serial encoder: 13, 16 or 17-bit (incremental/absolute) * The 13-bit encoder is incremental only.	
	Conditions	Ambient/Storage Temperature *1	0 to +55 °C/-20 to +85 °C	
		Ambient/Storage Humidity	90% RH or less (with no condensation)	
Vibration/Shock Resistance		4.9 m/s <sup>2</sup> /19.6 m/s <sup>2</sup>		
Speed and Torque Control Modes	Performance	Speed Control Range		1:5000 (The lowest speed of the speed control range is the speed at which the servomotor will not stop with a rated torque load.)
		Speed Regulation *2	Load Regulation	0 to 100% load: ±0.01% or less (at rated speed)
			Voltage Regulation	Rated voltage ±10%: 0% (at rated speed)
			Temperature Regulation	25 ± 25 °C: ±0.1% or less (at rated speed)
		Frequency Characteristics		400 Hz (at J <sub>L</sub> = J <sub>M</sub> )
		Torque Control Tolerance (Repeatability)		±2%
	Soft Start Time Setting		0 to 10 s (Can be set individually for acceleration and deceleration.)	
	Input Signals	Speed Reference Input	Reference Voltage *3	±6 VDC (Variable setting range: ±2 to ±10 VDC) at rated torque (servomotor forward rotation with positive reference), input voltage: maximum ±12 V
			Input Impedance	About 14 kΩ
			Circuit Time Constant	About 47 μs
		Torque Reference Input	Reference Voltage *3	±3 VDC (Variable setting range: ±1 to ±10 VDC) at rated torque (positive torque reference with positive reference), input voltage: maximum ±12 V
			Input Impedance	About 14 kΩ
			Circuit Time Constant	About 47 μs
		Contact Speed Reference	Rotation Direction Selection	With P control signal
Speed Selection			With forward/reverse current limit signal (speed 1 to 3 selection), servomotor stops or another control method is used when both are OFF.	
Position Control Modes		Performance	Bias Setting	
	Feed Forward Compensation		0 to 100% (setting resolution: 1%)	
	Positioning Completed Width Setting		0 to 250 reference units (setting resolution: 1 reference unit)	
	Input Signals	Reference Pulse	Type	Sign + pulse train, 90° phase difference 2-phase pulse (phase A + phase B), or CCW + CW pulse train
			Form	Line driver (+5 V level), open collector (+5 V or +12 V level)
			Frequency	Maximum 500/200 kpps (line driver/open collector)
		Control Signal		Clear signal (input pulse form identical to reference pulse)
		Built-in Open Collector Power Supply *4		+12 V (1kΩ resistor built in)
I/O Signals	Position Output	Form	Phase-A, -B, -C line driver Phase-S line driver (only with an absolute encoder)	
		Frequency Dividing Ratio	Any	
	Sequence Input	Signal allocation can be modified. Servo ON, P control (or Control mode switching, forward/reverse motor rotation by internal speed setting, zero clamping, reference pulse prohibited), forward run prohibited (P-OT), reverse run prohibited (N-OT), alarm reset, forward current limit, and reverse current limit (or internal speed selection)		
	Sequence Output	Fixed Output	Servo alarm, 3-bit alarm codes	
		Signal allocation can be modified.	Positioning completed (speed coincidence), during servomotor rotation, servo ready, during current limiting, during speed limiting, brake released, warning, selecting three of the	



Internal Functions	Dynamic Brake		Operated at main power OFF, servo alarm, servo OFF or overtravel.
	Overtravel Stop		Dynamic brake stop at P-OT or N-OT, deceleration to a stop, or coast to a stop
	Electronic Gear		$0.01 \leq B/A \leq 100$
	Protection		Overcurrent, overvoltage, low voltage, overload, regeneration error, main circuit detection section error, heat sink overheated, no power supply, overflow, overspeed, encoder error, overrun, CPU error, parameter error.
	LED Display		Charge, Power, five 7-segment LEDs (built-in Digital Operator functions)
	CN5 Analog Monitoring		Analog monitor connector built in for monitoring speed, torque and other reference signals. Speed: $1 \text{ V}/1000 \text{ min}^{-1}$ Torque: $1 \text{ V}/100\%$ of rated torque Position error pulses: $0.05 \text{ V}/1$ reference units or $0.05 \text{ V}/100$ reference units
	Communications	Connected Devices	Digital Operator (hand-held model), RS-422A port such as for a personal computer (RS-232C ports under certain conditions)
		1:N Communications	Up to $N = 14$ for RS-422A ports
		Axis Address Setting	Set with parameters.
		Functions	Status display, parameter setting, monitor display, alarm trace-back display, JOG and autotuning operations, speed, torque reference signal and other drawing functions.
Others		Reverse rotation connection, zero-point search, automatic servomotor ID, DC reactor connection terminal for harmonic suppressions. *5	

\* 1. Use the SERVOPACK within the surrounding air temperature range. When enclosed in a control panel, internal temperatures must not exceed the surrounding air temperature range.

\* 2. Speed regulation is defined as follows:

$$\text{Speed regulation} = \frac{\text{No-load motor speed} - \text{Total load motor speed}}{\text{Rated motor speed}} \times 100\%$$

The motor speed may change due to voltage variations or amplifier drift and changes in processing resistance due to temperature variation. The ratio of speed changes to the rated speed represent speed regulation due to voltage and temperature variations.

- \* 3. Forward is clockwise viewed from the non-load side of the servomotor. (Counterclockwise viewed from the load and shaft end)
- \* 4. The built-in open collector power supply is not electrically insulated from the control circuit in the SERVOPACK.
- \* 5. The DC reactor connection terminals for power supplies designed for minimum harmonics are not included in SERVOPACKs with capacities of 6 kW or more.

## 4.2 SERVOPACK Installation

The SGDM SERVOPACKs can be mounted on a base, rack or duct-ventilated. Incorrect installation will cause problems. Always observe the following installation instructions.

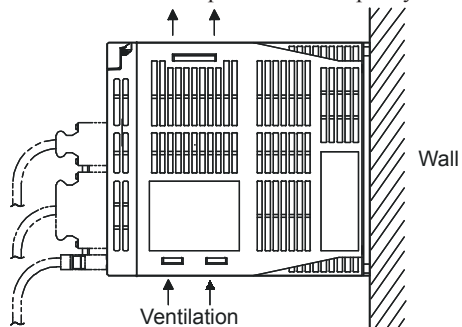
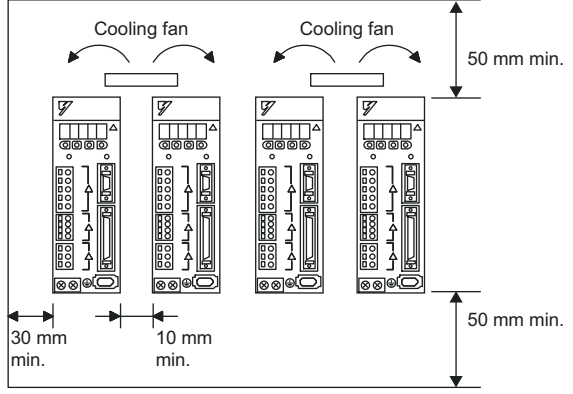
### WARNING

- After voltage resistance test, wait at least five minutes before servicing the product. (Refer to “Voltage Resistance Test” on the following page.)  
Failure to observe this warning may result in electric shock.
- Connect the main circuit wires, control wires, and main circuit cables of the motor correctly.  
Incorrect wiring will result in failure of the SERVOPACK.

Storage	Store the SERVOPACK within the following temperature range if it is stored with the power cable disconnected. Temperature: -20 to 85°C Humidity: 90%RH or less (with no condensation)
Operating Conditions	<ul style="list-style-type: none"> <li>• Installation category (Overvoltage category) * : III</li> <li>• Pollution degree * : 2</li> <li>• Protection class * : 10</li> <li>• Altitude : Maximum 1000 m</li> </ul>
Installation Site	<p><b>Installation in a Control Panel</b> Design the control panel size, unit layout, and cooling method so the temperature around the SERVOPACK does not exceed 55°C.</p> <p><b>Installation Near a Heating Unit</b> Minimize the heat radiating from the heating unit as well as any temperature rise caused by natural convection so the temperature around the SERVOPACK does not exceed 55°C.</p> <p><b>Installation Near a Source of Vibration</b> Install a vibration isolator on the SERVOPACK to avoid subjecting it to vibration.</p> <p><b>Installation at a Site Exposed to Corrosive Gas</b> Corrosive gas does not have an immediate effect on the SERVOPACK but will eventually cause the electronic components and contactor-related devices to malfunction. Take appropriate action to avoid corrosive gas.</p> <p><b>Other Situations</b> Do not install the SERVOPACK in hot, humid locations or locations subject to water, cutting oil, excessive dust, iron powder, and radioactivity in the air.</p>

\* Conforming to the following standards.

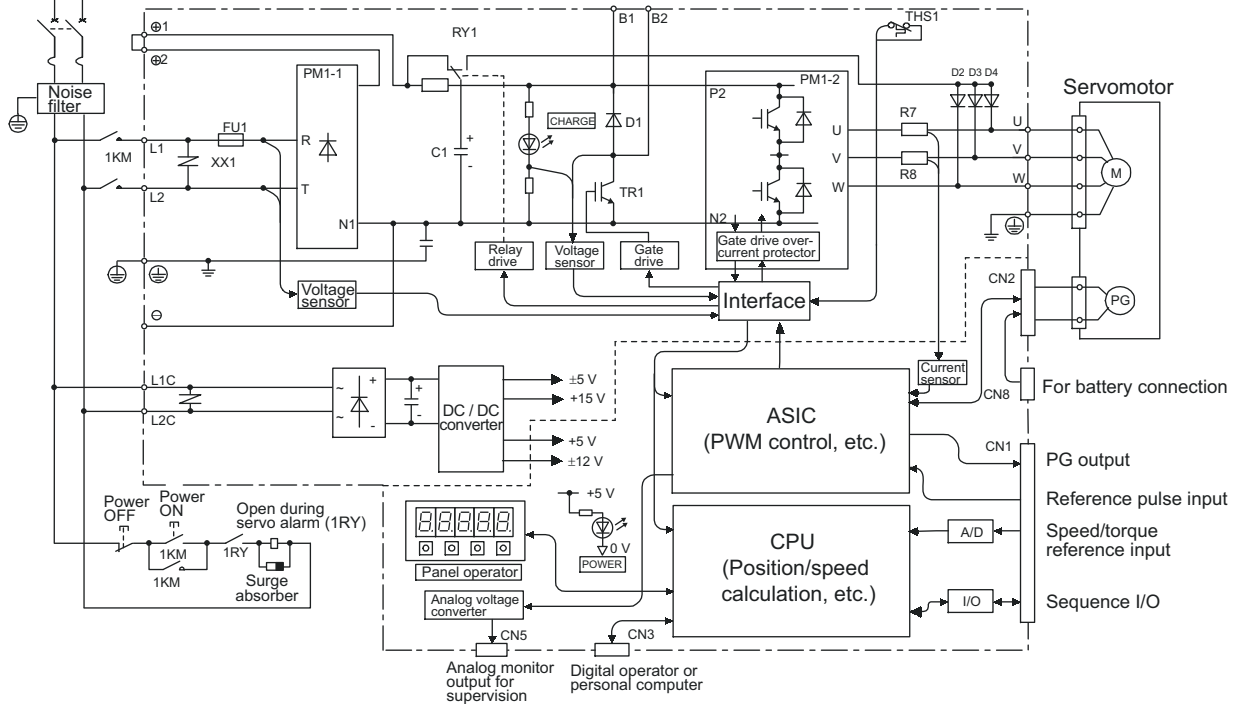
- UL508C
- CSA C22.2 No.14
- EN50178
- EN55011 group 1 class A
- EN61000-6-2

<p>Orientation</p>	<p>Install the SERVOPACK perpendicular to the wall as shown in the figure. The SERVOPACK must be oriented this way because it is designed to be cooled by natural convection or a cooling fan.</p> <p>Secure the SERVOPACK using two to four mounting holes. The number of holes depends on the capacity.</p> 
<p>Installation</p>	<p>Follow the procedure below to install multiple SERVOPACKs side by side in a control panel.</p>  <p><b>SERVOPACK Orientation</b> Install the SERVOPACK perpendicular to the wall so the front panel containing connectors faces outward.</p> <p><b>Cooling</b> As shown in the figure above, allow sufficient space around each SERVOPACK for cooling by cooling fans or natural convection.</p> <p><b>Side-by-side Installation</b> When installing SERVOPACKs side by side as shown in the figure above, allow at least 10 mm between and at least 50 mm above and below each SERVOPACK. Install cooling fans above the SERVOPACKs to avoid excessive temperature rise and to maintain even temperature inside the control panel.</p> <p><b>Environmental Conditions in the Control Panel</b> Surrounding Air Temperature: 0 to 55°C Humidity: 90% RH or less Vibration: 4.9 m/s<sup>2</sup> Condensation and Freezing: None Surrounding Air Temperature for Long-term Reliability: 45 °C or less</p>
<p>Voltage Resistance Test</p>	<p>Conduct voltage resistance tests under the following conditions.</p> <ul style="list-style-type: none"> <li>• Voltage: 1500 Vrms AC for one minute</li> <li>• Braking current: 30 mA or more</li> <li>• Frequency: 50 or 60 Hz</li> <li>• Voltage applied points</li> </ul> <p>For SGDM-□□AD, -□□ADA SERVOPACKS : Between the ground terminals and the point where the terminals L1, L2, (L3), L1C, L2C, U, V, W are connected.</p> <p>For SGDM-□□BD, -□□BDA SERVOPACKS : Between the ground terminals and the point where the terminals L1, L2, (L3), L1C, L2C, U, V, W are connected.</p>

### 4.3 SERVOPACK Internal Block Diagrams

#### 4.3.1 Single-phase 200 V, 30 W to 400 W, and 100 V, 30 W to 200 W Models

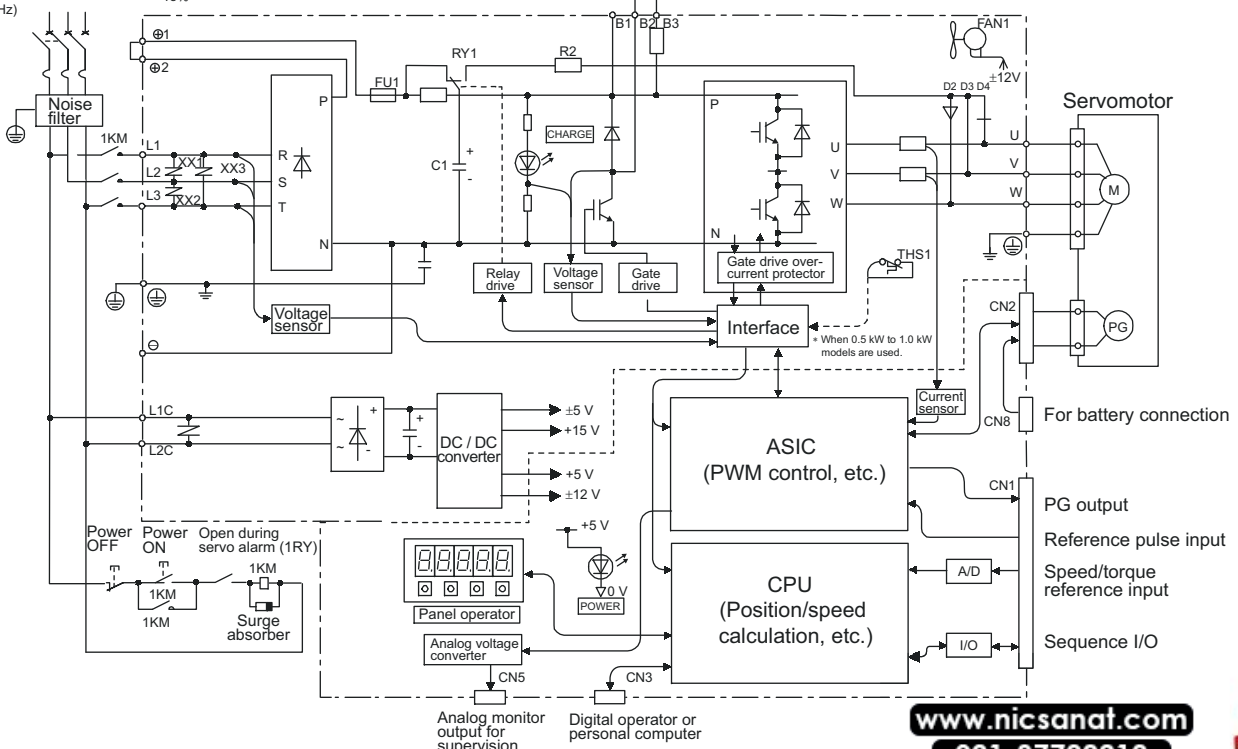
Single-phase 200 to 230 V  $+10\%$   
 $-15\%$   
 (50/60 Hz)  
 Single-phase 100 to 115 V  $+10\%$   
 $-15\%$



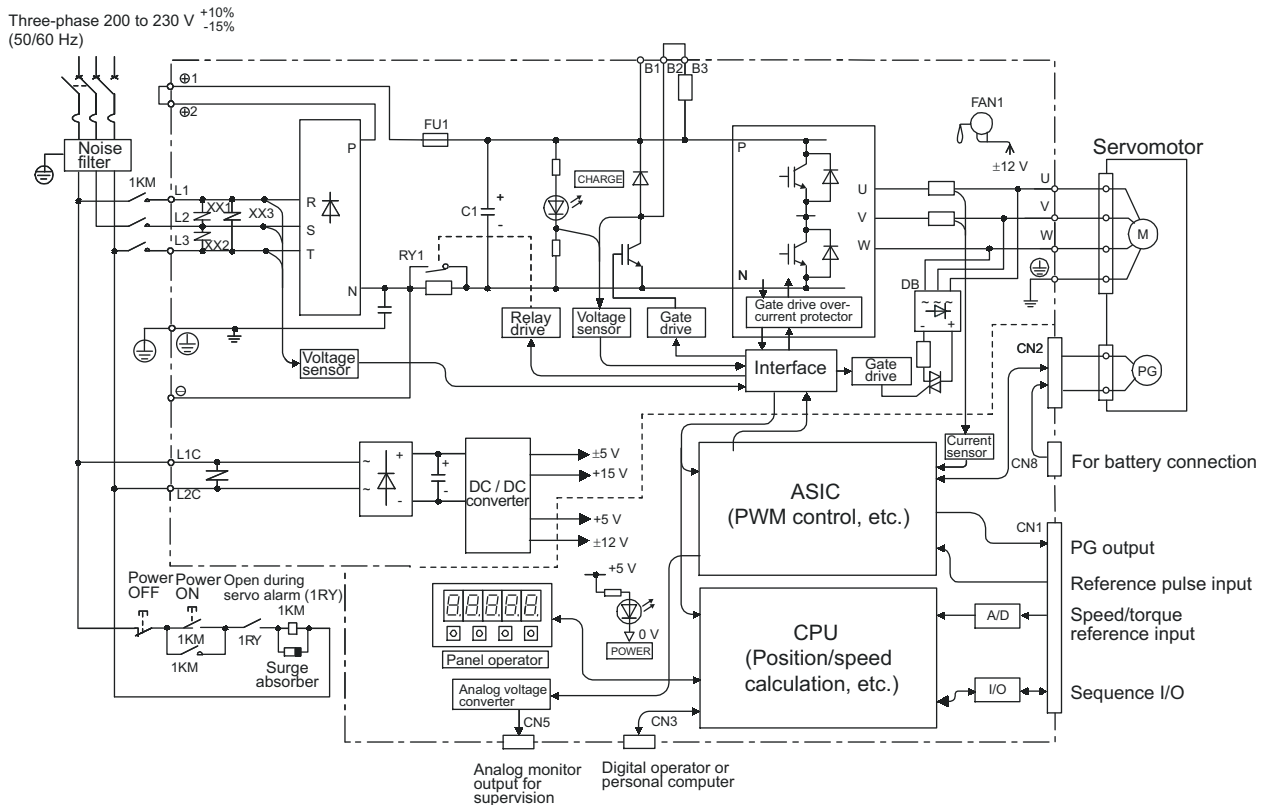
\* The supply voltage for 100V, 30 to 200W is 100 to 115V  $+10\%$   
 $-15\%$  (50/60 Hz).

#### 4.3.2 Three-phase 200 V, 500 W to 1.5 kW Models

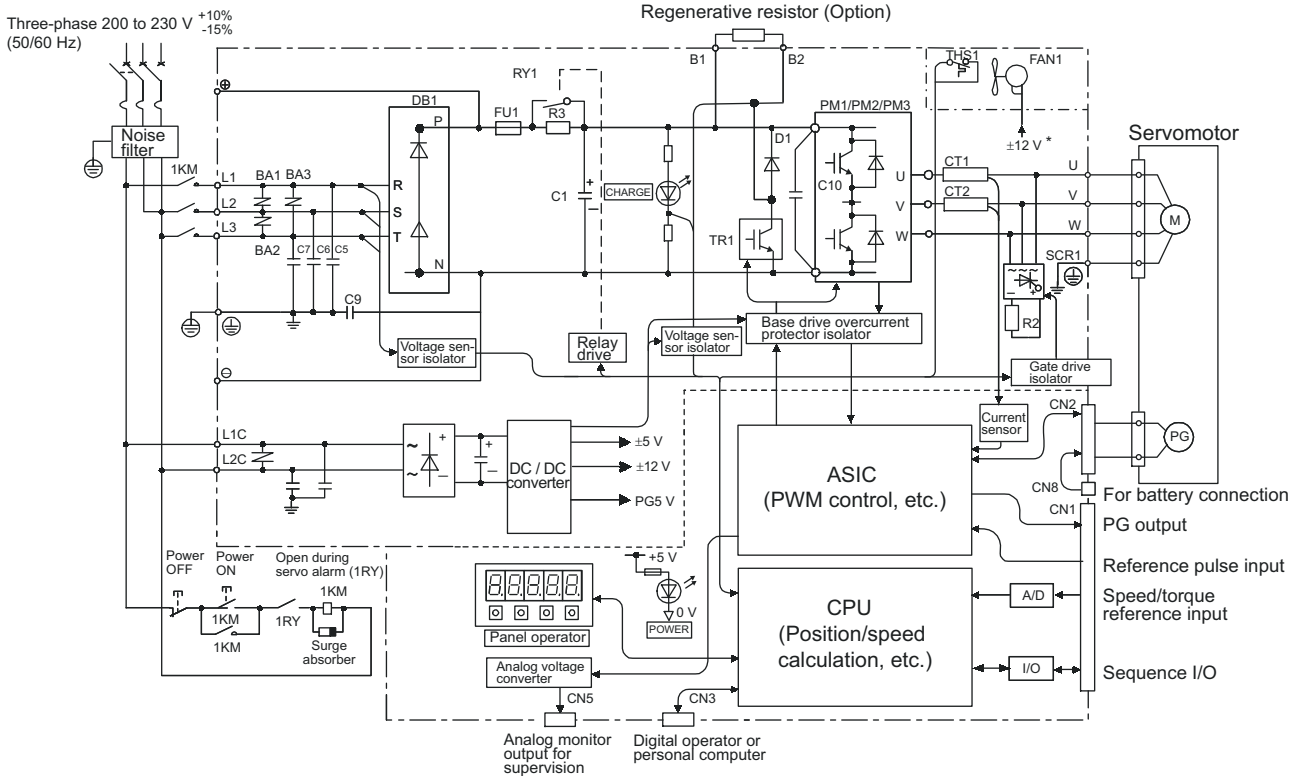
Single/Three-phase 200 to 230 V  $+10\%$   
 $-15\%$   
 (50/60 Hz)



### 4.3.3 Three-phase 200 V, 2.0 kW to 5.0 kW Models



### 4.3.4 Three-phase 200 V, 6.0 kW to 15 kW Models



\* 220 VAC for the 6.0 and 7.5 kW models.

## 4.4 SERVOPACK's Power Supply Capacities and Power Losses

The following table shows SERVOPACK's power supply capacities and power losses at the rated output.

Table 4.1 SERVOPACK Power Losses at Rated Output

Main Circuit Power Supply	Maximum Applicable Servomotor Capacity kW	SERVOPACK Model SGDM-	Output Current (Effective Value) A	Main Circuit Power Loss W	Regenerative Resistor Power Loss W	Control Circuit Power Loss W	Total Power Loss W	
Single-phase 100 V	0.03	A3BD, A3BDA	0.66	3.5	_ *1	13	16.5	
	0.05	A5BD, A5BDA	0.95	5.2			18.2	
	0.10	01BD, 01BDA	2.4	12			25	
	0.20	02BD, 02BDA	3.0	16.4			29.4	
Single-phase 200 V	0.03	A3AD, A3ADA	0.44	3.1	_ *1	13	16.1	
	0.05	A5AD, A5ADA	0.64	4.6			17.6	
	0.10	01AD, 01ADA	0.91	6.7			19.7	
	0.20	02AD, 02ADA	2.1	13.3			26.3	
	0.40	04AD, 04ADA	2.8	20			33	
Three-phase 200 V	0.45	05AD, 05ADA	3.8	27	12 *2	15	54	
	0.75	08AD, 08ADA	5.7	41			68	
	1.0	10AD, 10ADA	7.6	55			82	
	1.5	15AD, 15ADA	11.6	92	14 *2		121	
	2.0	20AD, 20ADA	18.5	120	28 *2		163	
	3.0	30AD, 30ADA	24.8	155			198	
	5.0	50ADA	32.9	240	56 *2		311	
	6.0	60ADA	46.9	290	_ *3		27	317
	7.5	75ADA	54.7	330				357
	11	1AADA	58.6	360			30	390
15	1EADA	78.0	490	520				

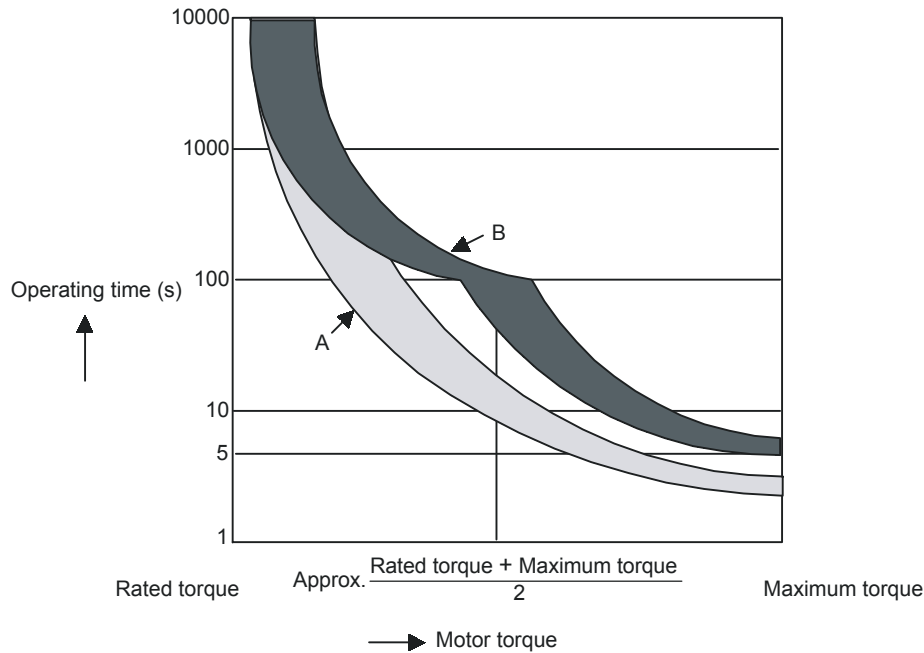
- \* 1. SERVOPACKs with a capacity of 30 to 400W do not have built-in regenerative resistors. If the regenerative energy exceeds the specified value, connect an external regenerative resistor. Refer to 12.1.3 *Calculating the Required Capacity of Regenerative Resistors*.
- \* 2. Regenerative resistor power losses are allowable losses. Take the following action if this value is exceeded.
- Remove the lead from the internal regenerative resistor in the SERVOPACK.
  - Install an external regenerative resistor (optional).
- \* 3. An external regenerative resistor must be connected to SERVOPACKs with a capacity of 6.0 kW or higher. The following regenerative resistor units are provided for this purpose.
- For the SGDM-60ADA: JUSP-RA04 (allowable loss: 180W)
- For the SGDM-75ADA to 1EADA: JUSP-RA05 (allowable loss: 350W)
- Note: Refer to 6.5 *Connecting Regenerative Resistors*, 5.8.6 *External Regenerative Resistor* and 5.8.7 *Regenerative Resistor Unit* for details.

## 4.5 SERVOPACK Overload Characteristics and Allowable Load Moment of Inertia

### 4.5.1 Overload Characteristics

SERVOPACKs have a built-in overload protective function that protects the SERVOPACKs and servomotors from overload. Allowable power for the SERVOPACKs is limited by the overload protective function as shown in the figure below.

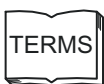
The overload detection level is set under hot start<sup>1</sup> conditions at a servomotor surrounding air temperature of 40°C.



Note: The overload protection characteristics of A and B in the figure are applicable when the SERVOPACK is combined with one of the following servomotors.

A: SGMAH or SGMPH servomotor with a capacity of maximum 400 W.

B: SGMAH or SGMPH servomotors with a capacity more than 400 W and SGMGH, SGMSH, and SGMDH servomotors.



<sup>1</sup> Hot Start

A hot start indicates that both the SERVOPACK and the servomotor have run long enough to be thermally saturated.

### 4.5.2 Starting and Stopping Time

The motor starting time ( $t_r$ ) and stopping time ( $t_f$ ) under a constant load are calculated using the following formulas. Motor viscous torque and friction torque are ignored.

$$\text{Starting time: } t_r = \frac{2\pi \cdot N_M (J_M + J_L)}{60 \cdot (T_{PM} - T_L)} [\text{s}]$$

$$\text{Stopping time: } t_f = \frac{2\pi \cdot N_M (J_M + J_L)}{60 \cdot (T_{PM} + T_L)} [\text{s}]$$

$N_M$ : Motor speed ( $\text{min}^{-1}$ )

$J_M$ : Motor rotor moment of inertia ( $\text{kg}\cdot\text{m}^2$ )

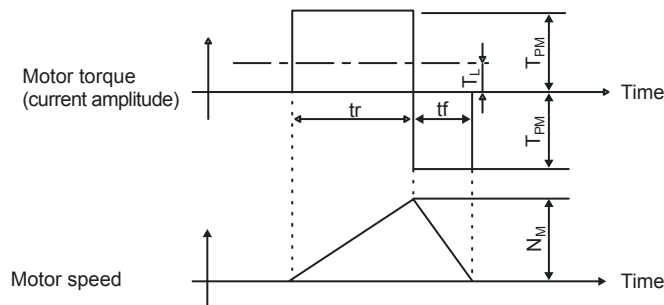
$J_L$ : Load converted to shaft moment of inertia ( $\text{kg}\cdot\text{m}^2$ )

$T_{PM}$ : Instantaneous peak motor torque when combined with a SERVOPACK ( $\text{N}\cdot\text{m}$ )

$T_L$ : Load torque ( $\text{N}\cdot\text{m}$ )

Calculate the torque from the motor current using servomotor torque constant  $\times$  motor current (effective value).

The following figure shows the motor torque and motor speed timing chart.



### 4.5.3 Load Moment of Inertia

The larger the load moment of inertia, the worse the movement response of the load.

The size of the load moment of inertia ( $J_L$ ) allowable when using a servomotor depends on motor capacity and is limited to within 5 to 30 times the moment of inertia of each servomotor ( $J_M$ ). This value is provided strictly as a guideline and results may vary depending on servomotor drive conditions.

An overvoltage alarm is likely to occur during deceleration if the load moment of inertia exceeds the allowable load moment of inertia. SERVOPACKs with a built-in regenerative resistor may generate a regeneration overload alarm. Take one of the following steps if this occurs.

- Reduce the torque limit.
- Reduce the deceleration rate.
- Reduce the maximum motor speed.
- Install an externally mounted regenerative resistor if the alarm cannot be cleared. Contact your Yaskawa Application Engineering Department.

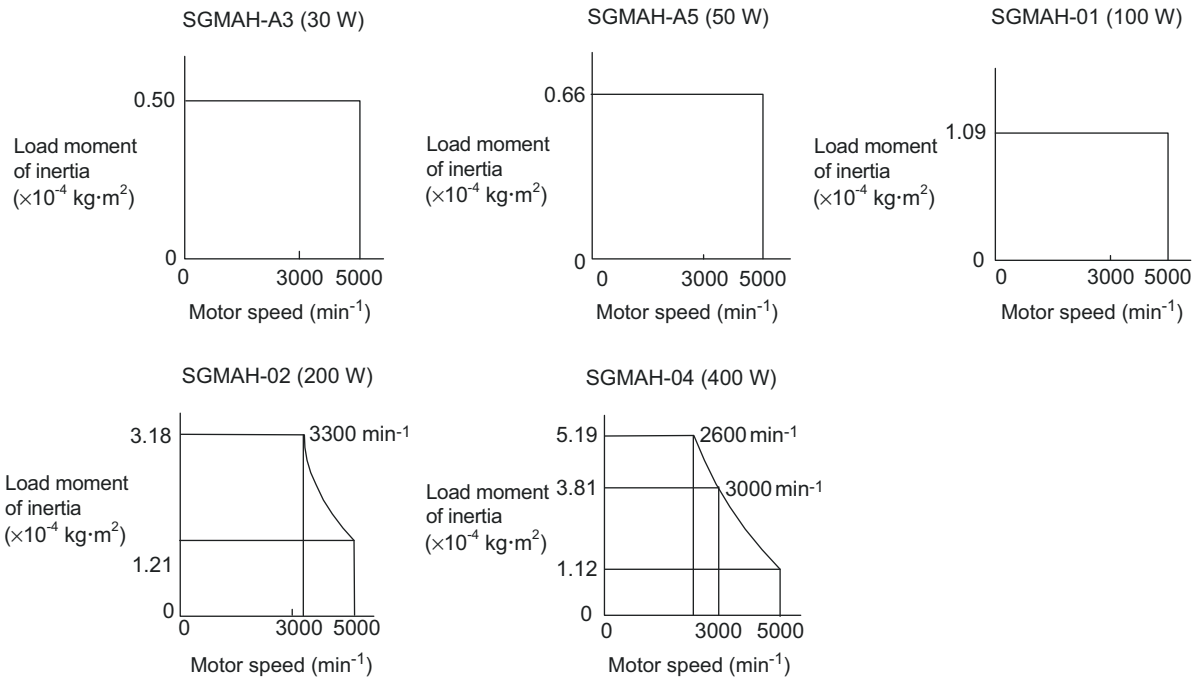
Regenerative resistors are not built into 200 V SERVOPACKs for 30 W to 400 W or 100 V SERVOPACKs for 30 W to 200 W. The following figures show the tentative relationship between the load moment of inertia and motor speed using an example with a load moment of inertia 10 to 30 times the rotor moment of inertia at the motor shaft.

External regenerative resistors are required when this condition is exceeded or if the allowable loss capacity (W) of the built-in regenerative resistor is exceeded due to regenerative drive conditions when a regenerative resistor is already built in.



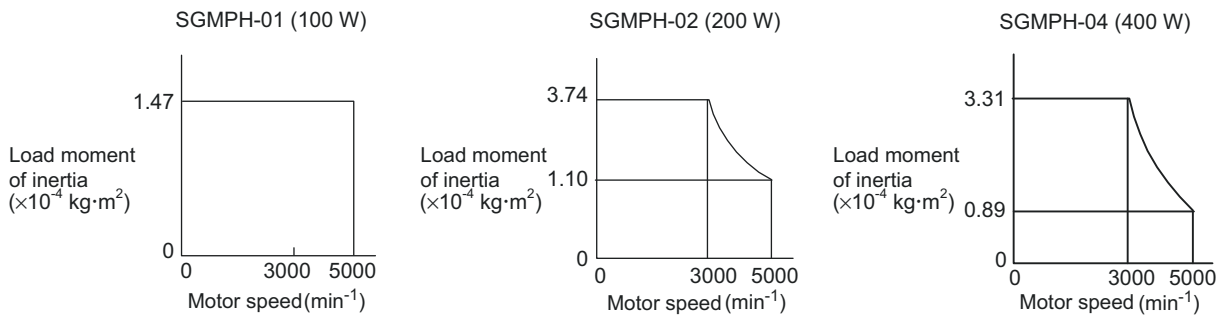
(1) Allowable Load Moment of Inertia and Motor Speed for SGMAH 200 V Servomotors

The following relationships between the motor speed and load moment of inertia are for an AC input power voltage of 200 Vrms. The relationship will change according to changes in power voltage.



(2) Allowable Load Moment of Inertia and Motor Speed for SGMPH 200 V Servomotors

The following relationships between the motor speed and load moment of inertia are for an AC input power voltage of 200 Vrms. The relationship will change according to changes in power voltage.



(3) Allowable Load Moment of Inertia at the Motor Shaft

The rotor moment of inertia ratio is the value for a servomotor without a gear and a brake.

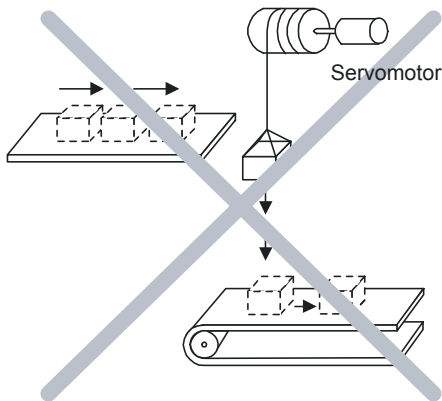
Servomotor Model	Capacity Range	Allowable Load Moment of Inertia (Rotor Moment of Inertia Ratio)
SGMAH	30 W to 200 W	$\times 30$
	400 W, 750 W	$\times 20$
SGMPH	100 W	$\times 25$
	200 W	$\times 15$
	400 W	$\times 7$
	750 W, 1.5 kW	$\times 5$
SGMGH (1500 min <sup>-1</sup> )	450 W to 15 kW	$\times 5$
SGMGH (1000 min <sup>-1</sup> )	300 W to 5.5 kW	$\times 5$
SGMSH	1.0 kW to 5.0 kW	$\times 5$
SGMDH	2.2 kW to 4.0 kW	$\times 5$

Servomotor Model	Rated Output (N·m)	Allowable Load Moment of Inertia (Rotor Moment of Inertia Ratio)
SGMCS (200 V)	2.0, 4.0, 5.0, 7.0	×10
	10.0	× 5
	8.0, 14.0, 16.0, 17.0, 25.0, 35.0	× 3
	45.0	× 3
	80.0	× 3
	110.0	× 3
	150.0	× 3
	200.0	× 3

#### (4) Overhanging Loads

A servomotor may not be operated with an overhanging load, which tends to continuously rotate the motor. Fig. 4.1 shows a typical example of such a load.

- DO NOT use the servomotor with the Vertical Axis Motor Drive without Counterweight



- DO NOT use the servomotor with the Feeding Motor Drive

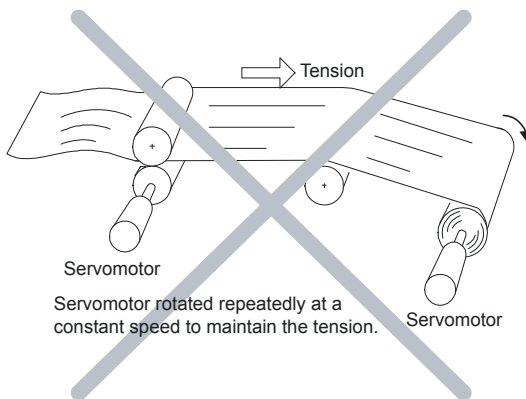


Fig 4.1 Examples of Overhanging Loads

#### IMPORTANT

- Never operate servomotors with an overhanging load. Doing so will cause the SERVOPACKs' regenerative brake to be applied continuously and the regenerative energy of the load may exceed the allowable range causing damage to the SERVOPACK.
- The regenerative brake capacity of the SGDM SERVOPACKs is rated for short-term operation approximately equivalent to the time it takes to decelerate to a stop.

## 4.6 SERVOPACK Dimensional Drawings

SERVOPACK dimensional drawings are grouped according to the mounting method and the capacity.

### (1) Base-mounted Type

Supply Voltage		SERVOPACK		Reference
		Capacity	Model SGDM-□□□D/DA	
Single-phase	100 V	30 W / 50 W / 100 W	A3B / A5B / 01B	4.7.1
	200 V	30 W / 50 W / 100 W / 200 W	A3A / A5A / 01A / 02A	
	100 V	200 W	02B	4.7.2
	200 V	400 W	04A	
Three-phase	200 V	500 W / 800 W / 1.0 kW	05A / 08A / 10A	4.7.3
	200 V	1.5 kW	15A	4.7.4
	200 V	2.0 kW / 3.0 kW	20A / 30A	4.7.5
	200 V	5.0 kW	50A	4.7.6
	200 V	6.0 kW / 7.5 kW	60A / 75A	4.7.8
	200 V	11.0 kW / 15.0 kW	1AA / 1EA	4.7.8

### (2) Rack-mounted Type

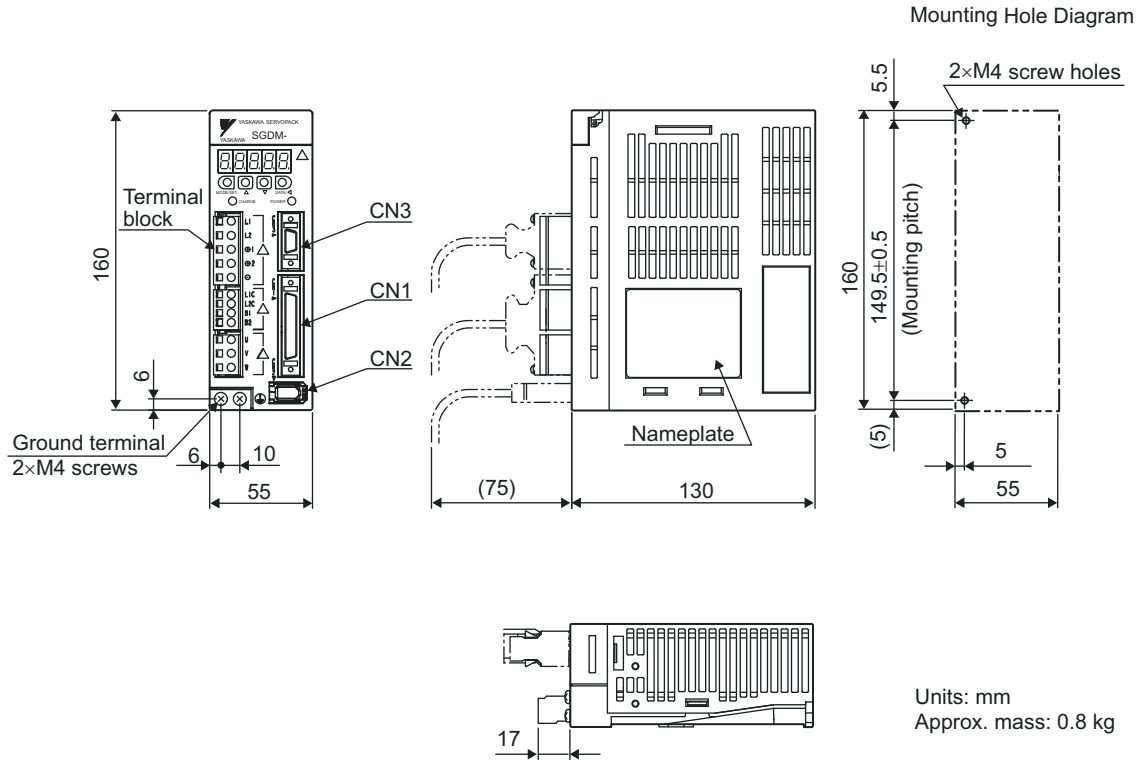
Supply Voltage		SERVOPACK		Reference
		Capacity	Model SGDM-□□□D/DA-R	
Single-phase	100 V	30 W / 50 W / 100 W	A3B / A5B / 01B	4.8.1
	200 V	30 W / 50 W / 100 W / 200 W	A3A / A5A / 01A / 02A	
	100 V	200 W	02B	4.8.2
	200 V	400 W	04A	
Three-phase	200 V	500 W / 800 W / 1.0 kW	05A / 08A / 10A	4.8.3
	200 V	1.5 kW	15A	4.8.4
	200 V	2.0 kW / 3.0 kW	20A / 30A	4.8.5
	200 V	5.0 kW	50A	4.8.6

### (3) Duct-ventilated Type

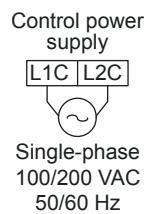
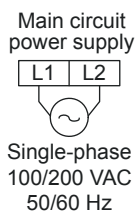
Supply Voltage		SERVOPACK		Reference
		Capacity	Model SGDM-□□□D/DA-P	
Three-phase	200 V	6.0 kW / 7.5 kW	60A / 75A	4.9.1
	200 V	11.0 kW / 15.0 kW	1AA / 1EA	4.9.2

## 4.7 Dimensional Drawings of Base-mounted SERVOPACK Model

### 4.7.1 Single-phase 100 V: 30 W to 100 W (A3BD to 01BD, A3BDA to 01BDA) Single-phase 200 V: 30 W to 200 W (A3AD to 02AD, A3ADA to 02ADA)



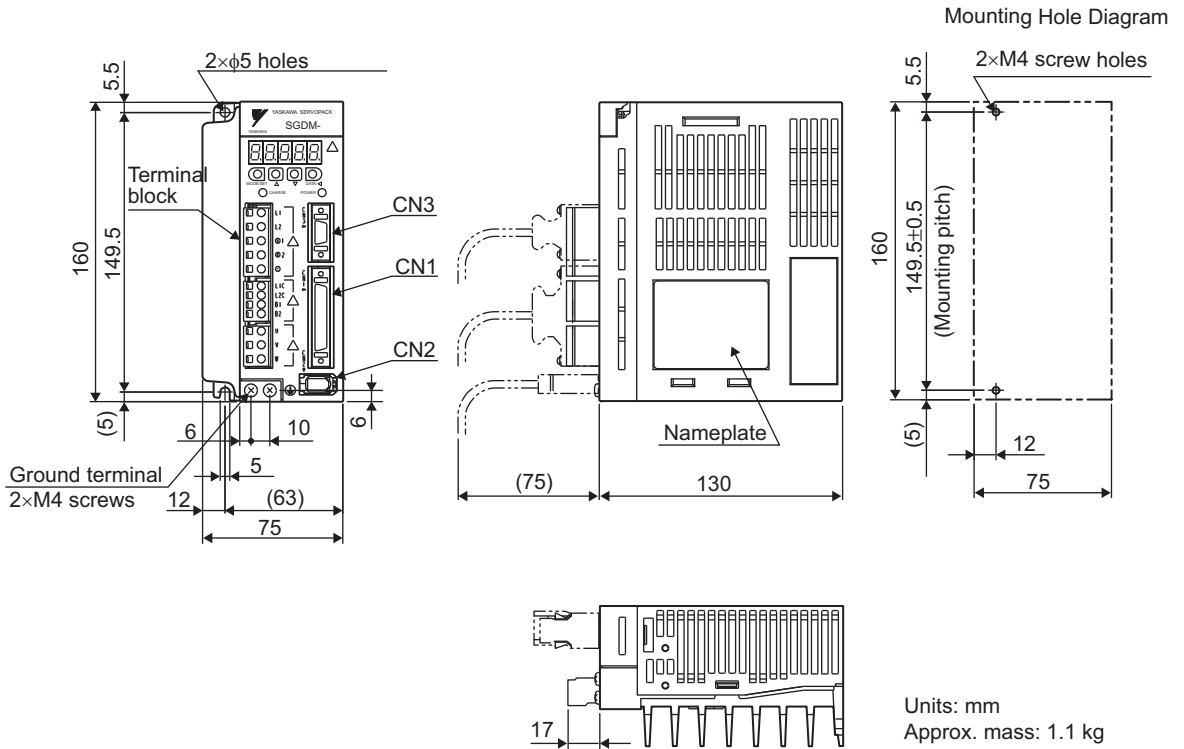
#### External Terminal Connector



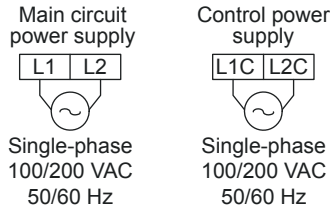
#### SERVOPACK Connector

Connector Symbol	SERVOPACK Connector Model	Manufacturer
CN1	10250-52A2JL	Sumitomo 3M Co., Ltd.
CN2	53460-0611	Molex Japan Co., Ltd.
CN3	10214-52A2JL	Sumitomo 3M Co., Ltd.

4.7.2 Single-phase 100 V: 200 W (02BD, 02BDA)  
Single-phase 200 V: 400 W (04AD, 04ADA)



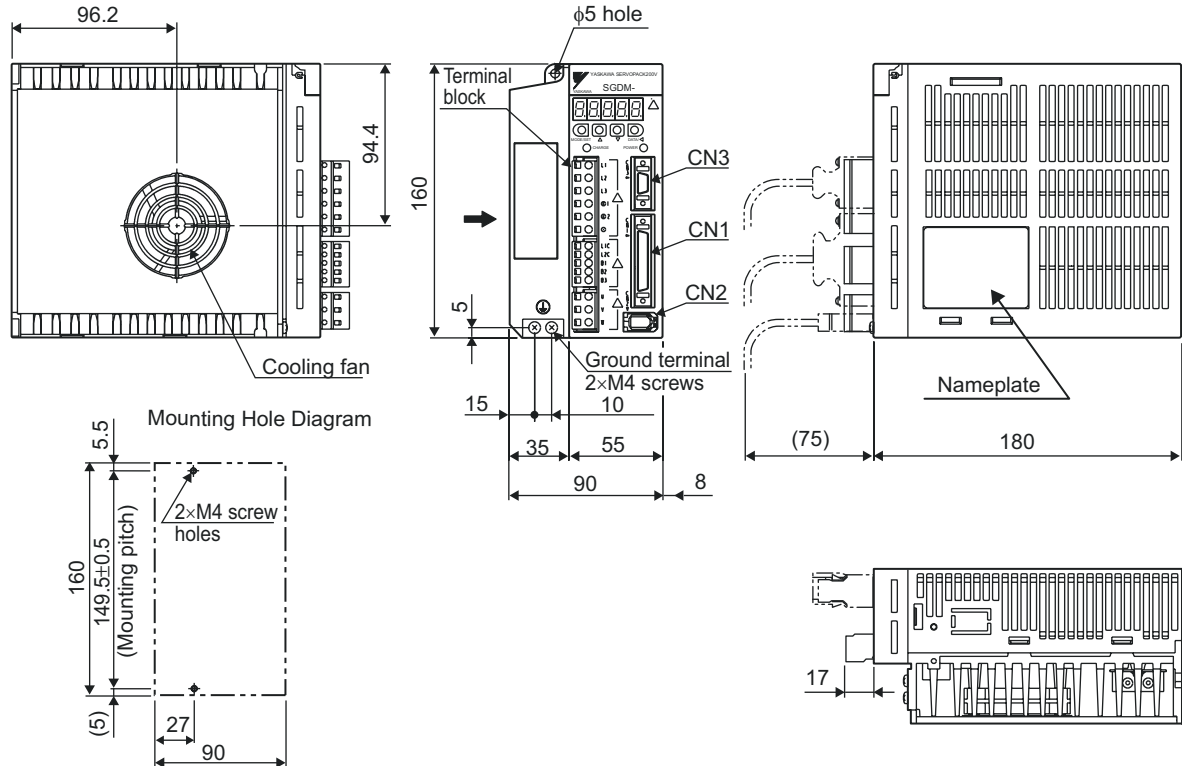
External Terminal Connector



SERVOPACK Connector

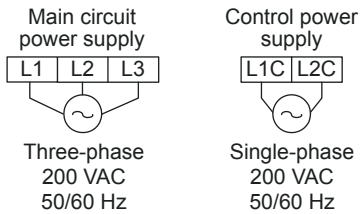
Connector Symbol	SERVOPACK Connector Model	Manufacturer
CN1	10250-52A2JL	Sumitomo 3M Co., Ltd.
CN2	53460-0611	Molex Japan Co., Ltd.
CN3	10214-52A2JL	Sumitomo 3M Co., Ltd.

4.7.3 Three-phase 200 V: 500 W/750 W/1.0 kW (05AD to 10AD, 05ADA to 10ADA)



Units: mm  
Approx. mass: 1.7 kg

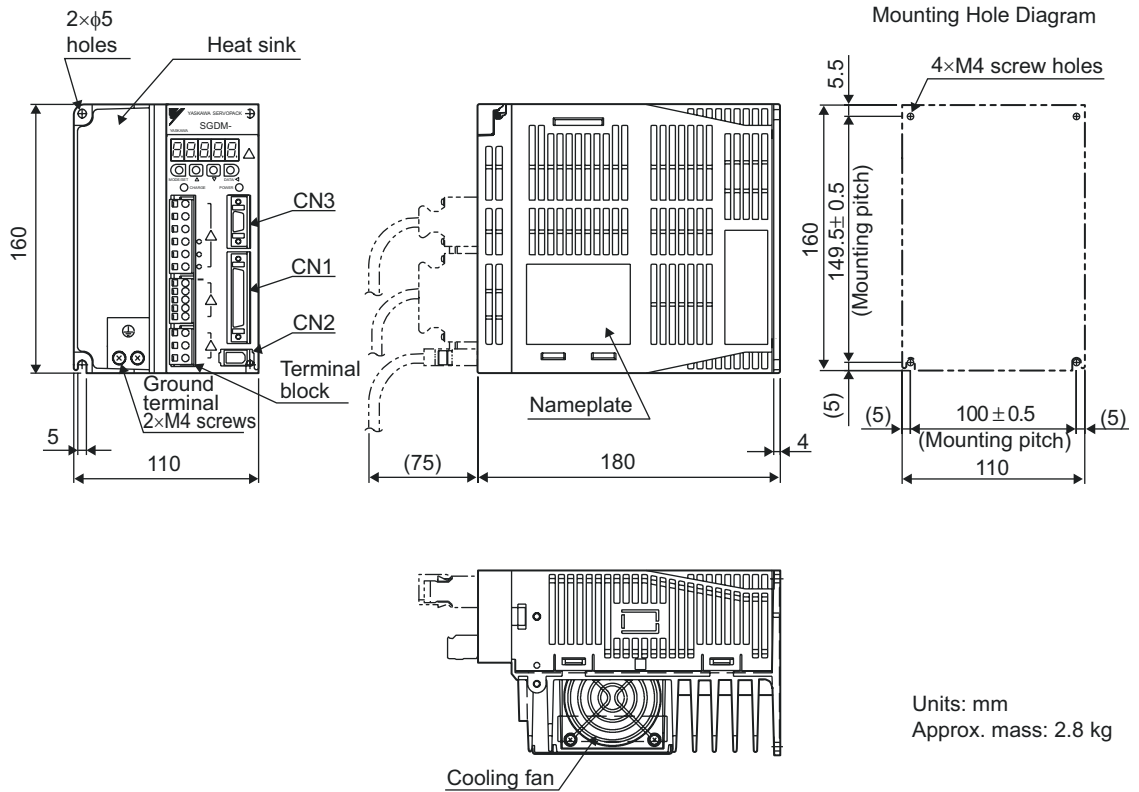
External Terminal Connector



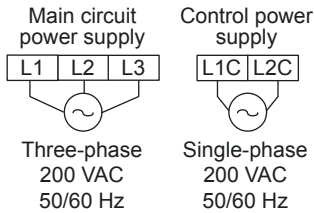
SERVOPACK Connector

Connector Symbol	SERVOPACK Connector Model	Manufacturer
CN1	10250-52A2JL	Sumitomo 3M Co., Ltd.
CN2	53460-0611	Molex Japan Co., Ltd.
CN3	10214-52A2JL	Sumitomo 3M Co., Ltd.

4.7.4 Three-phase 200 V: 1.5 kW (15AD, 15ADA)



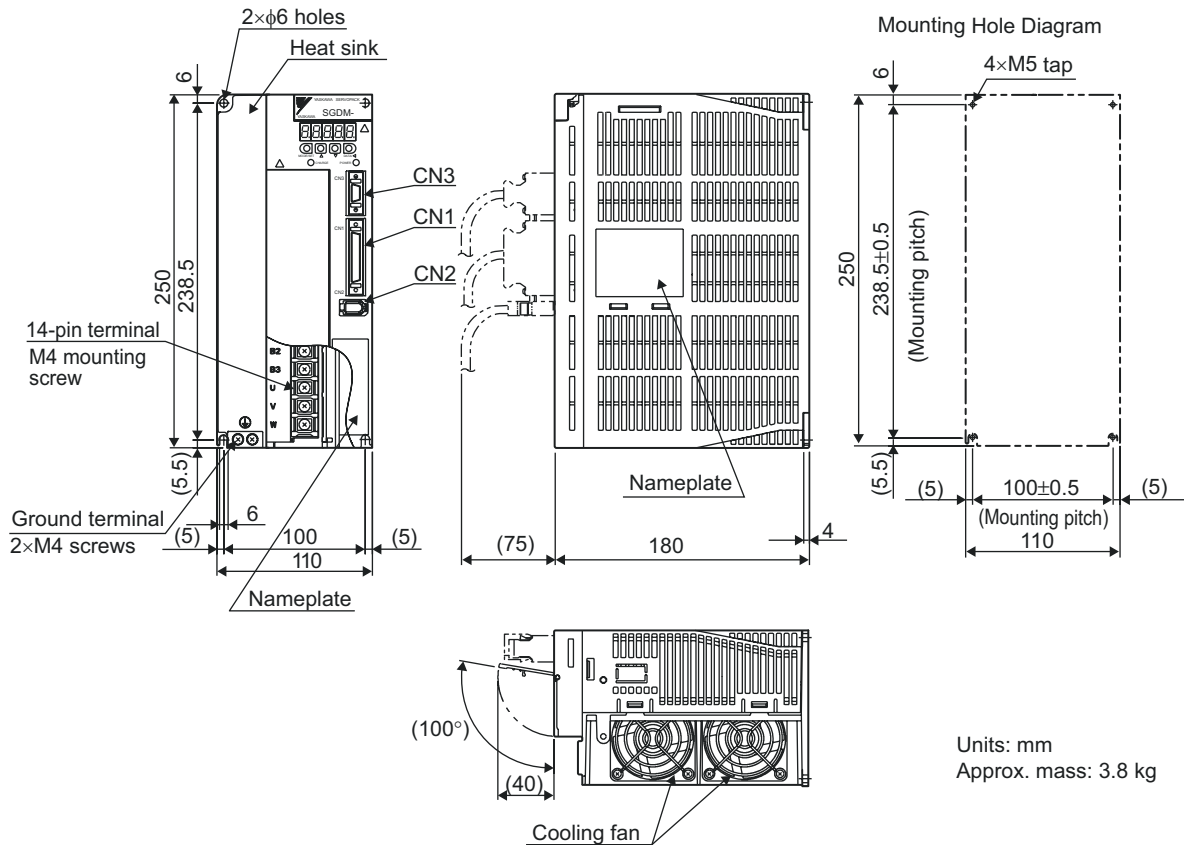
External Terminal Connector



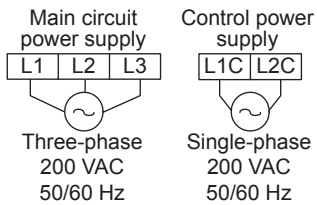
SERVOPACK Connector

Connector Symbol	SERVOPACK Connector Model	Manufacturer
CN1	10250-52A2JL	Sumitomo 3M Co., Ltd.
CN2	53460-0611	Molex Japan Co., Ltd.
CN3	10214-52A2JL	Sumitomo 3M Co., Ltd.

### 4.7.5 Three-phase 200 V: 2.0 kW/3.0 kW (20AD to 30AD, 20ADA to 30ADA)



#### External Terminal Connector

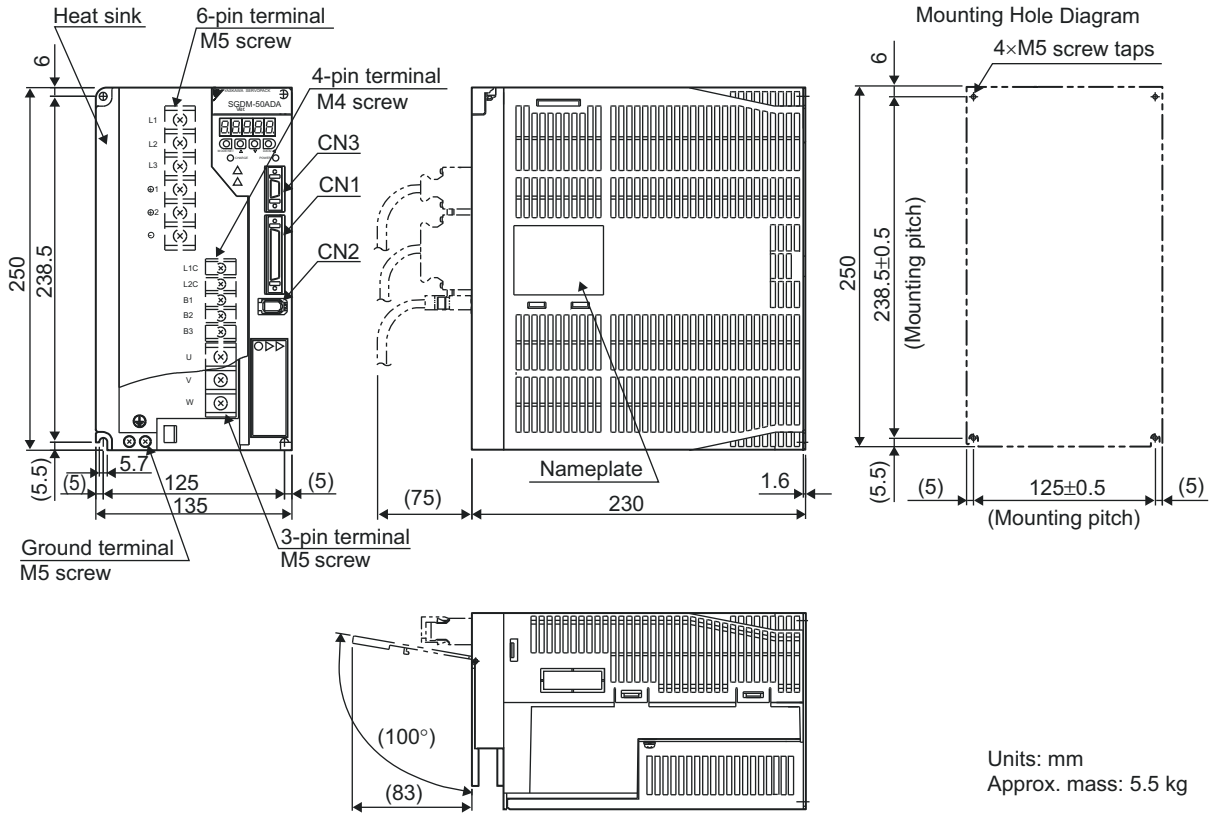


#### SERVOPACK Connector

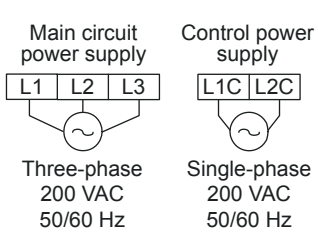
Connector Symbol	SERVOPACK Connector Model	Manufacturer
CN1	10250-52A2JL	Sumitomo 3M Co., Ltd.
CN2	53460-0611	Molex Japan Co., Ltd.
CN3	10214-52A2JL	Sumitomo 3M Co., Ltd.



### 4.7.6 Three-phase 200 V: 5.0 kW (50ADA)



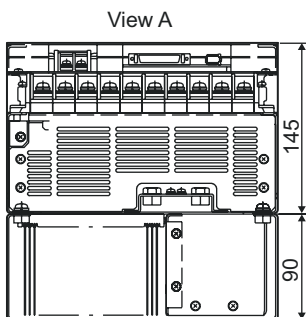
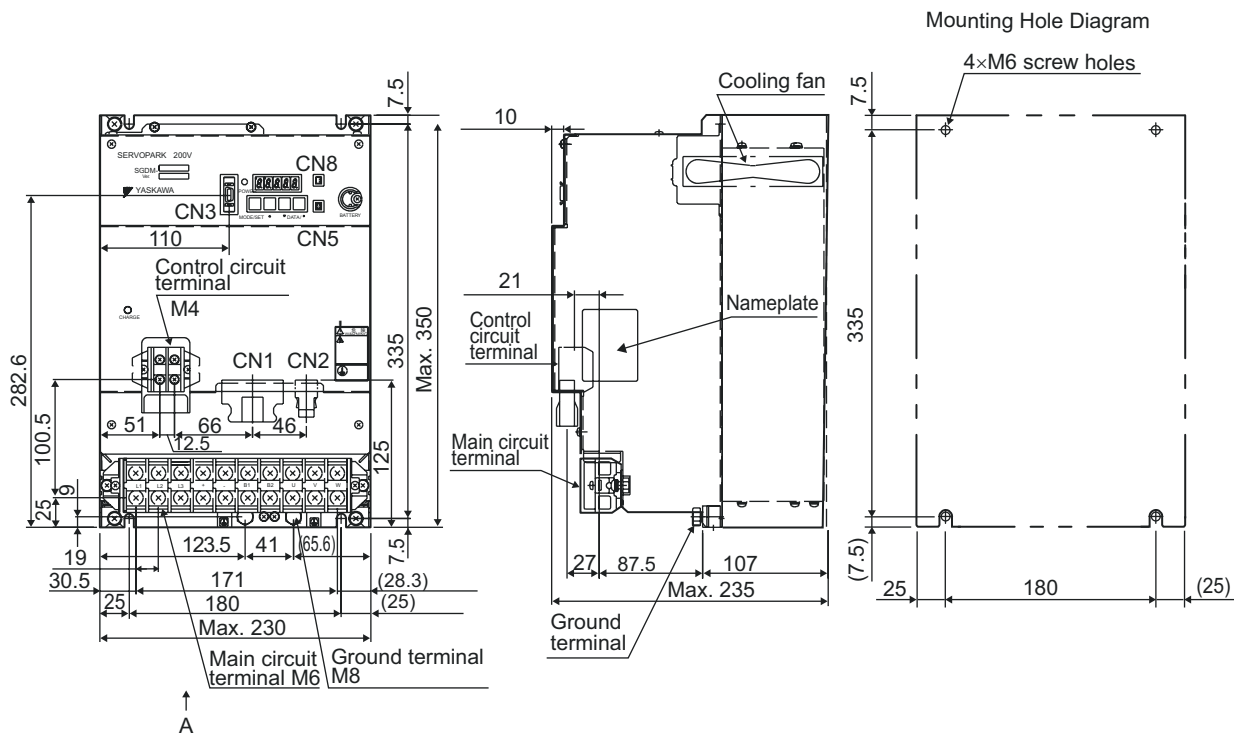
**External Terminal Connector**



**SERVOPACK Connector**

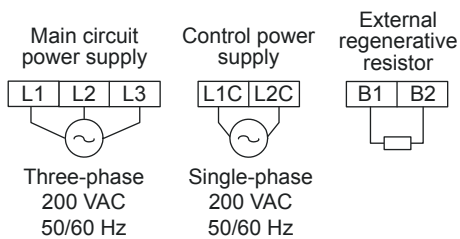
Connector Symbol	SERVOPACK Connector Model	Manufacturer
CN1	10250-52A2JL	Sumitomo 3M Co., Ltd.
CN2	53460-0611	Molex Japan Co., Ltd.
CN3	10214-52A2JL	Sumitomo 3M Co., Ltd.

4.7.7 Three-phase 200 V: 6.0 kW/7.5 kW (60ADA to 75ADA)



Units: mm  
Approx. mass: 14.3 kg

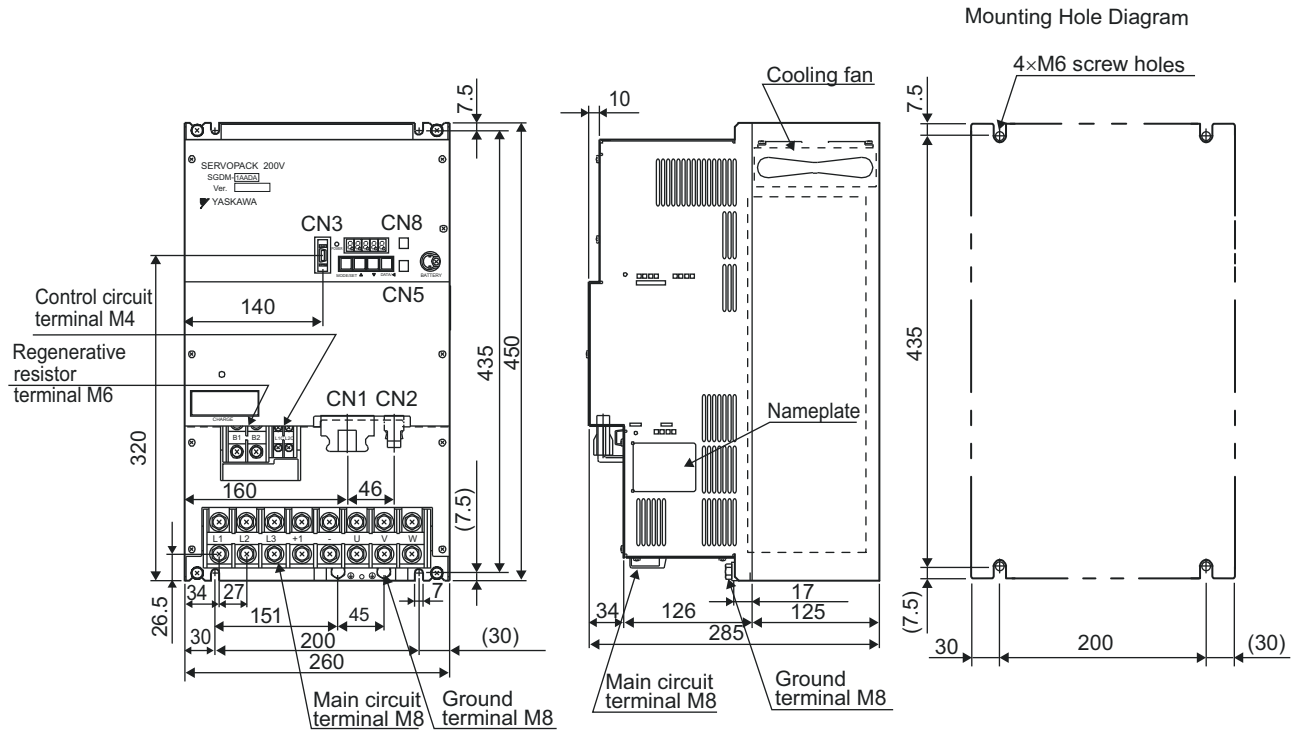
External Terminal Connector



SERVOPACK Connector

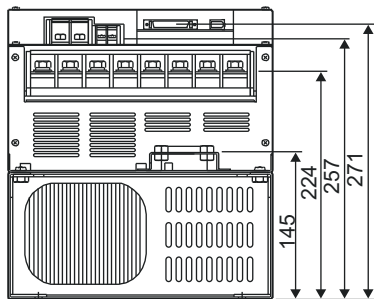
Connector Symbol	SERVOPACK Connector Model	Manufacturer
CN1	10250-52A2JL	Sumitomo 3M Co., Ltd.
CN2	53460-0611	Molex Japan Co., Ltd.
CN3	10214-52A2JL	Sumitomo 3M Co., Ltd.

4.7.8 Three-phase 200 V: 11.0 kW/15.0 kW (1AADA to 1EADA)



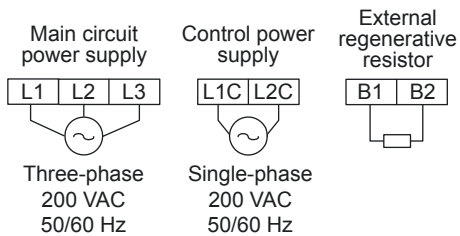
↑ A

View A



Units: mm  
Approx. mass: 26 kg

External Terminal Connector



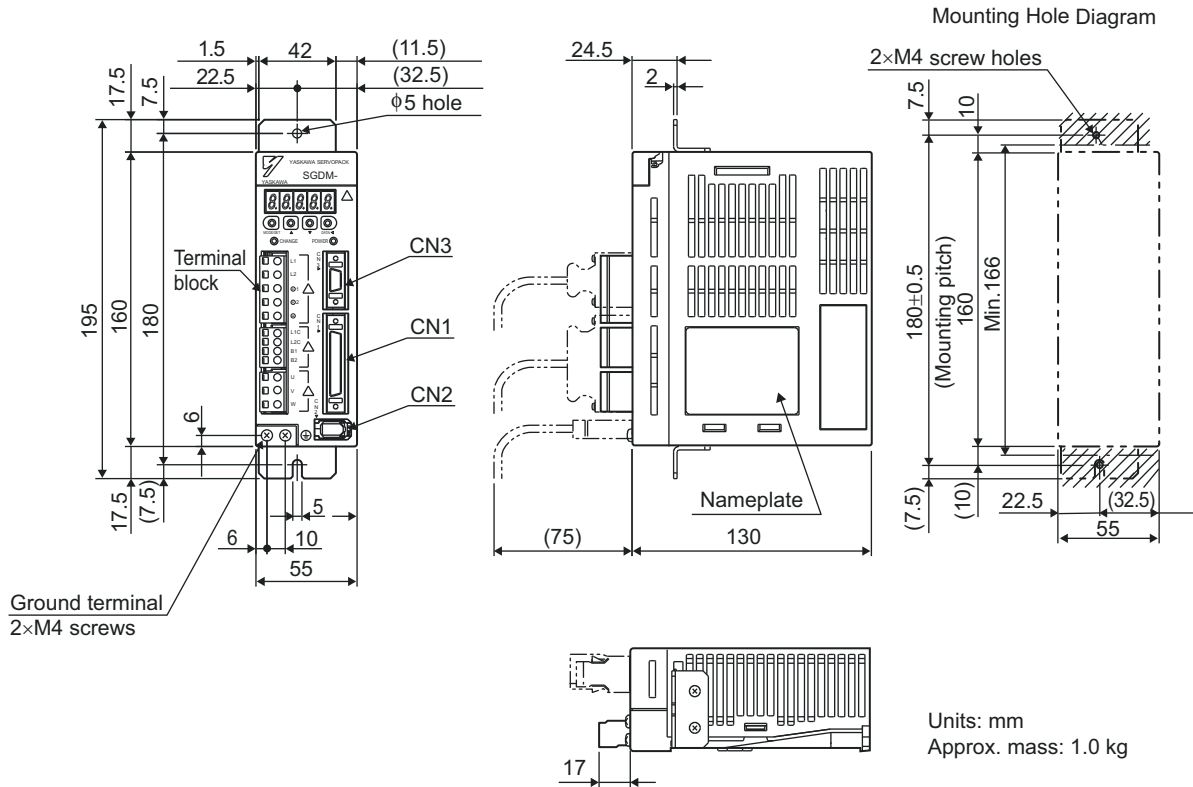
SERVOPACK Connector

Connector Symbol	SERVOPACK Connector Model	Manufacturer
CN1	10250-52A2JL	Sumitomo 3M Co., Ltd.
CN2	53460-0611	Molex Japan Co., Ltd.
CN3	10214-52A2JL	Sumitomo 3M Co., Ltd.

4.8.1 Single-phase 100 V: 30 W/50 W/100 W (A3BD-R to 01BD-R, A3BDA-R to 01BDA-R) Single-phase 200 V: 30 W/50 W/100 W/200 W (A3AD-R to 02AD-R, A3ADA-R to 02ADA-R)

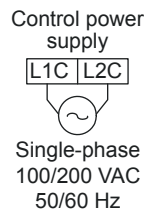
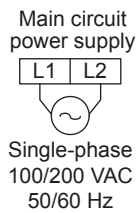
## 4.8 Dimensional Drawings of Rack-mounted SERVOPACK Model

4.8.1 Single-phase 100 V: 30 W/50 W/100 W  
 (A3BD-R to 01BD-R, A3BDA-R to 01BDA-R)  
 Single-phase 200 V: 30 W/50 W/100 W/200 W  
 (A3AD-R to 02AD-R, A3ADA-R to 02ADA-R)



Units: mm  
 Approx. mass: 1.0 kg

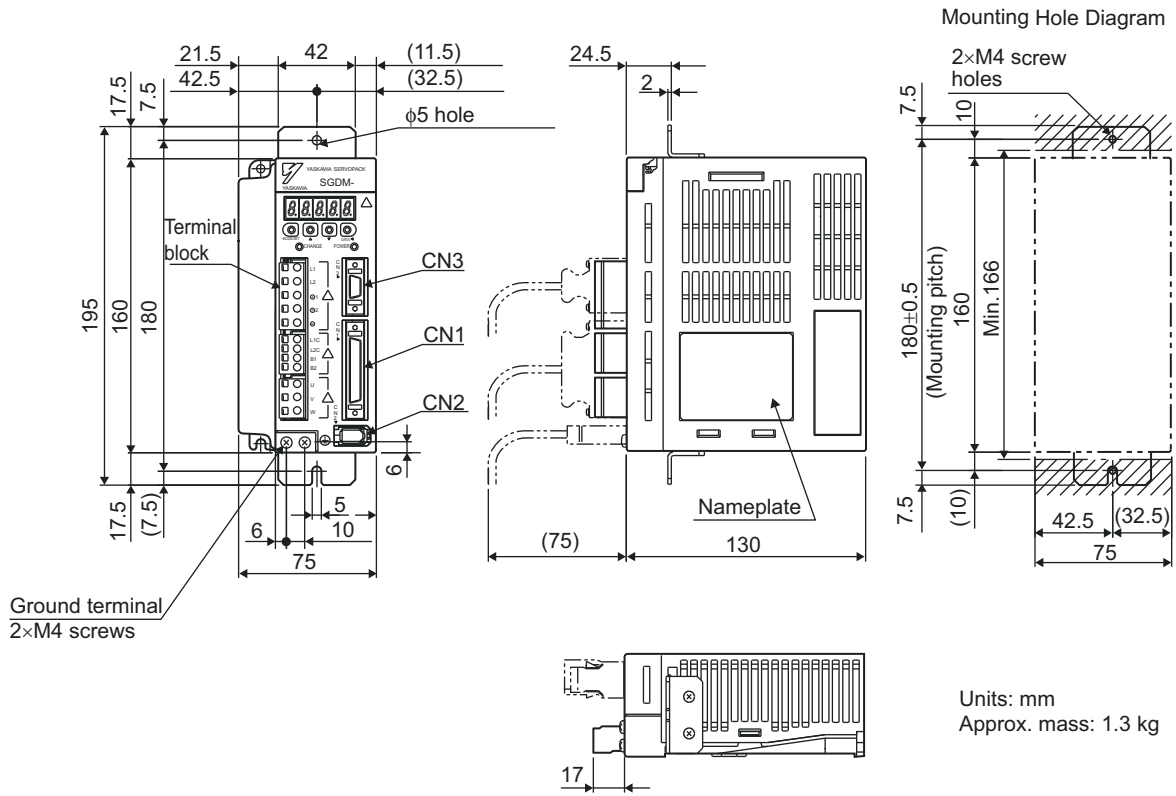
### External Terminal Connector



### SERVOPACK Connector

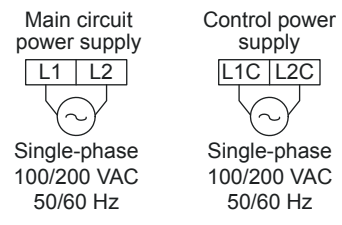
Connector Symbol	SERVOPACK Connector Model	Manufacturer
CN1	10250-52A2JL	Sumitomo 3M Co., Ltd.
CN2	53460-0611	Molex Japan Co., Ltd.
CN3	10214-52A2JL	Sumitomo 3M Co., Ltd.

4.8.2 Single-phase 100 V: 200 W (02BD-R, 02BDA-R)  
 Single-phase 200 V: 400 W (04AD-R, 04ADA-R)



Units: mm  
 Approx. mass: 1.3 kg

External Terminal Connector

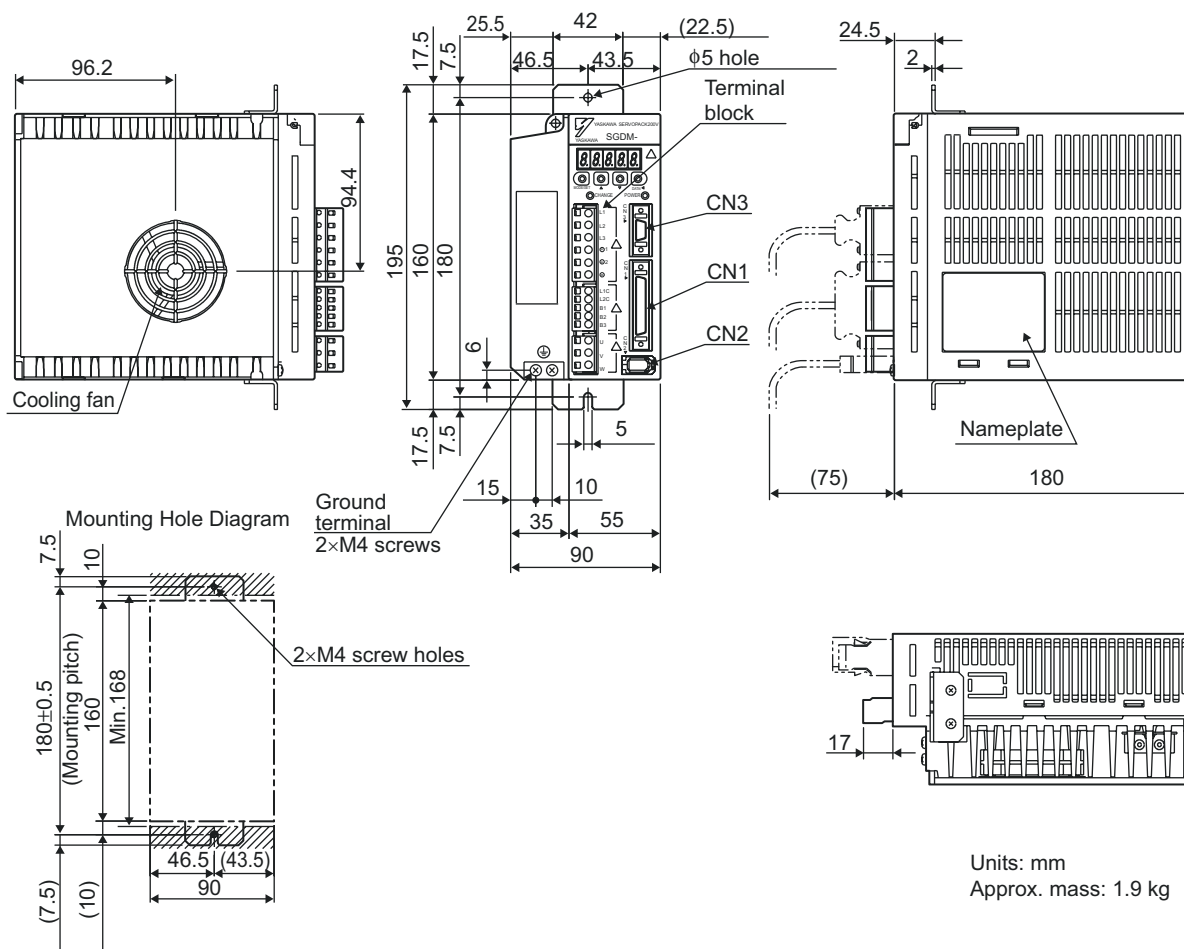


SERVOPACK Connector

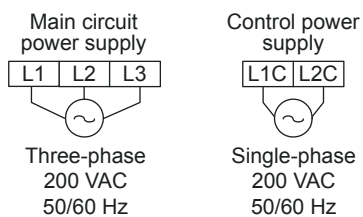
Connector Symbol	SERVOPACK Connector Model	Manufacturer
CN1	10250-52A2JL	Sumitomo 3M Co., Ltd.
CN2	53460-0611	Molex Japan Co., Ltd.
CN3	10214-52A2JL	Sumitomo 3M Co., Ltd.

SERVOPACK Specifications and Dimensional Drawings

### 4.8.3 Three-phase 200 V: 500 W/750 W/1.0 kW (05AD-R to 10AD-R, 05ADA-R to 10ADA-R)



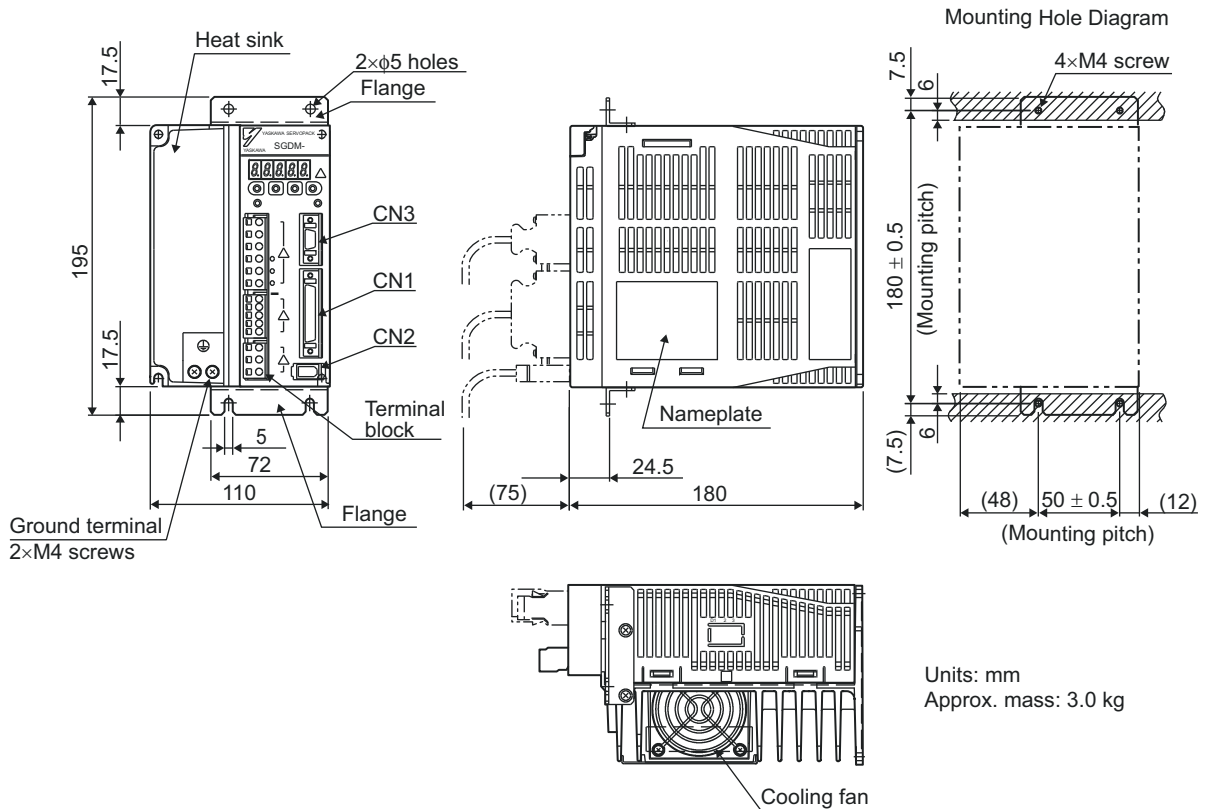
#### External Terminal Connector



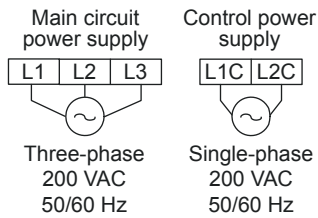
#### SERVOPACK Connector

Connector Symbol	SERVOPACK Connector Model	Manufacturer
CN1	10250-52A2JL	Sumitomo 3M Co., Ltd.
CN2	53460-0611	Molex Japan Co., Ltd.
CN3	10214-52A2JL	Sumitomo 3M Co., Ltd.

4.8.4 Three-phase 200 V: 1.5 kW (15AD-R, 15ADA-R)



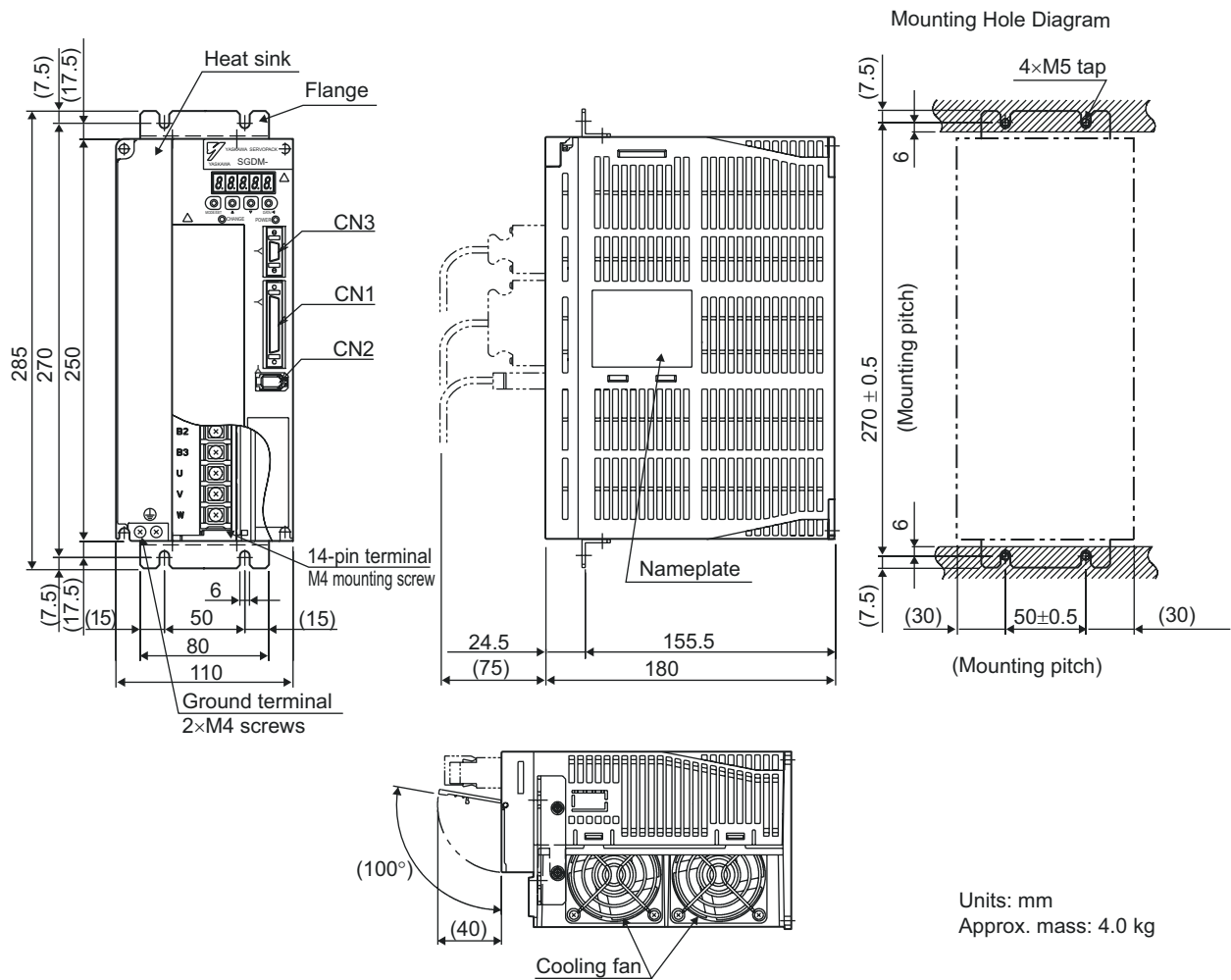
External Terminal Connector



SERVOPACK Connector

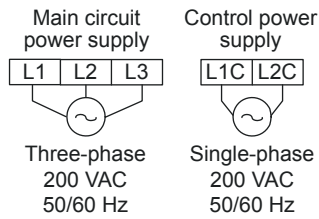
Connector Symbol	SERVOPACK Connector Model	Manufacturer
CN1	10250-52A2JL	Sumitomo 3M Co., Ltd.
CN2	53460-0611	Molex Japan Co., Ltd.
CN3	10214-52A2JL	Sumitomo 3M Co., Ltd.

### 4.8.5 Three-phase 200 V: 2.0 kW/3.0 kW (20AD-R to 30AD-R, 20ADA-R to 30ADA-R)



Units: mm  
Approx. mass: 4.0 kg

**External Terminal Connector**

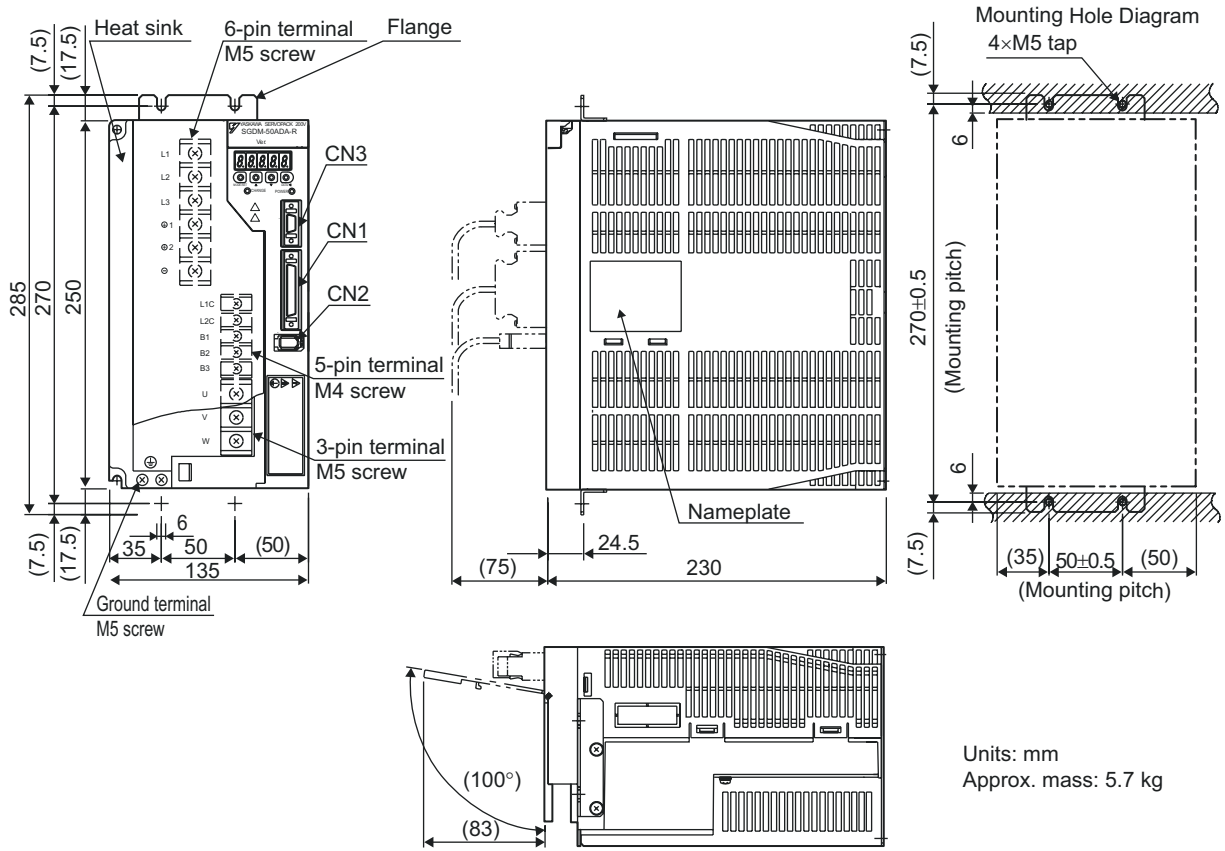


**SERVOPACK Connector**

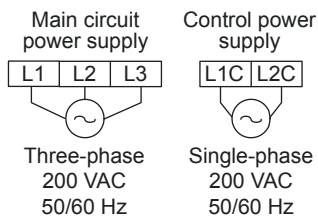
Connector Symbol	SERVOPACK Connector Model	Manufacturer
CN1	10250-52A2JL	Sumitomo 3M Co., Ltd.
CN2	53460-0611	Molex Japan Co., Ltd.
CN3	10214-52A2JL	Sumitomo 3M Co., Ltd.



### 4.8.6 Three-phase 200 V: 5.0 kW (50ADA-R)



**External Terminal Connector**

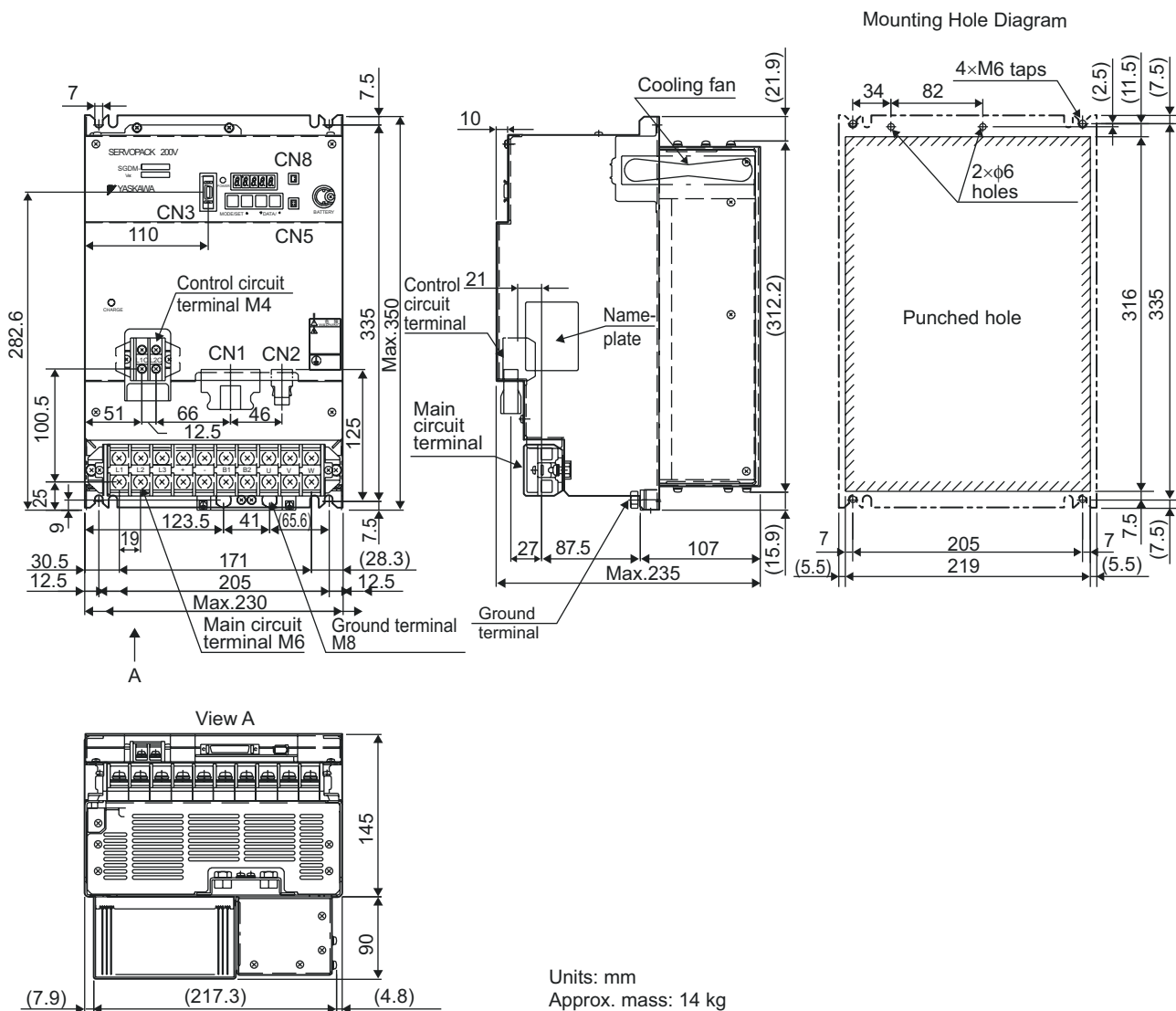


**SERVOPACK Connector**

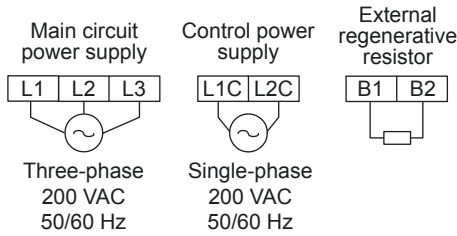
Connector Symbol	SERVOPACK Connector Model	Manufacturer
CN1	10250-52A2JL	Sumitomo 3M Co., Ltd.
CN2	53460-0611	Molex Japan Co., Ltd.
CN3	10214-52A2JL	Sumitomo 3M Co., Ltd.

## 4.9 Dimensional Drawings of Duct-ventilated SERVOPACK Model

### 4.9.1 Three-phase 200 V: 6.0 kW/7.5 kW (60ADA-P to 75ADA-P)



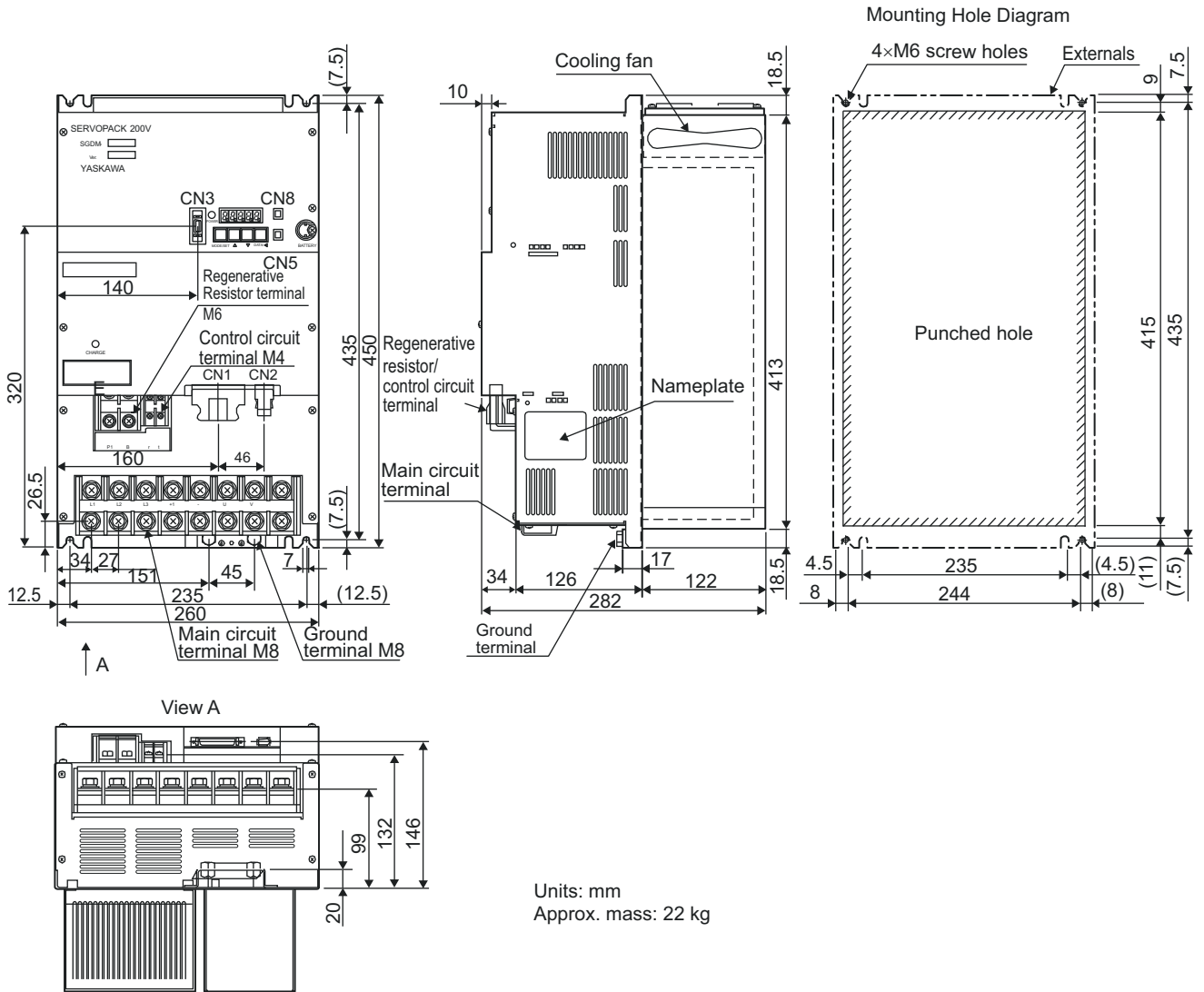
#### External Terminal Connector



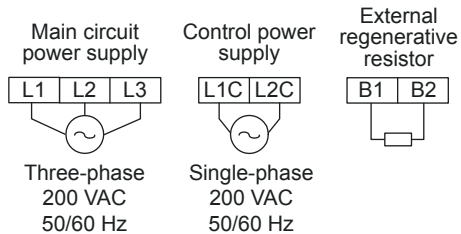
#### SERVOPACK Connector

Connector Symbol	SERVOPACK Connector Model	Manufacturer
CN1	10250-52A2JL	Sumitomo 3M Co., Ltd.
CN2	53460-0611	Molex Japan Co., Ltd.
CN3	10214-52A2JL	Sumitomo 3M Co., Ltd.

### 4.9.2 Three-phase 200 V: 11.0 kW/15.0 kW (1AADA-P/1EADA-P)



External Terminal Connector



SERVOPACK Connector

Connector Symbol	SERVOPACK Connector Model	Manufacturer
CN1	10250-52A2JL	Sumitomo 3M Co., Ltd.
CN2	53460-0611	Molex Japan Co., Ltd.
CN3	10214-52A2JL	Sumitomo 3M Co., Ltd.

## Specifications and Dimensional Drawings of Cables and Peripheral Devices

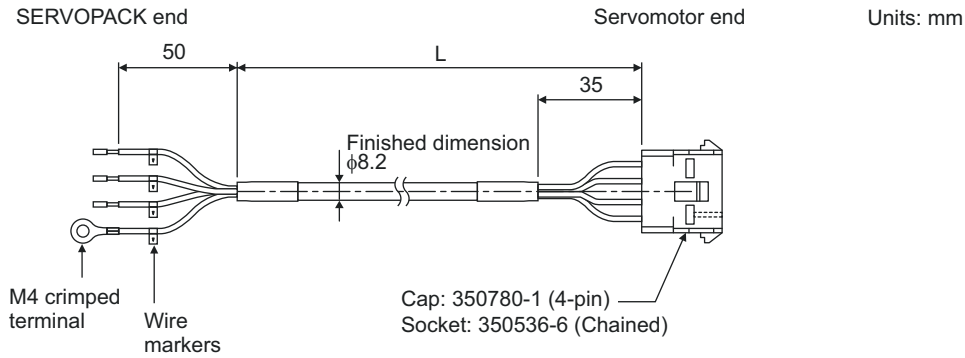
5.1 Specifications and Dimensional Drawings of Servomotor Main Circuit Cable	5-3
5.1.1 Cables for SGMAH and SGMPH Servomotors Without Brakes	5-3
5.1.2 Cables for SGMAH and SGMPH Servomotors With Brakes	5-3
5.1.3 Flexible Cables for SGMAH and SGMPH Servomotors Without Brakes	5-4
5.1.4 Flexible Cables for SGMAH and SGMPH Servomotors With Brakes	5-4
5.1.5 Cables for SGMAH and SGMPH Servomotors With Waterproof Connector	5-5
5.1.6 Cables for SGMCS-□□B, C, D, and E Servomotors	5-6
5.2 Servomotor Main Circuit Wire Size and Connectors	5-7
5.2.1 Wire Size	5-7
5.2.2 SGMAH and SGMPH Servomotor Connectors for Standard Environments	5-9
5.2.3 SGMGH, SGMSH, and SGMDH Servomotor Connector Configurations	5-12
5.2.4 SGMGH Servomotor (1500 min <sup>-1</sup> ) Connectors for Standard Environments	5-13
5.2.5 SGMGH Servomotor (1000 min <sup>-1</sup> ) Connectors for Standard Environments	5-15
5.2.6 SGMSH Servomotor (3000 min <sup>-1</sup> ) Connectors for Standard Environments	5-17
5.2.7 SGMDH Servomotor (2000 min <sup>-1</sup> ) Connectors for Standard Environments	5-19
5.2.8 SGMGH Servomotor (1500 min <sup>-1</sup> ) Connectors Conforming to IP67 and European Safety Standards	5-20
5.2.9 SGMGH Servomotor (1000 min <sup>-1</sup> ) Connectors Conforming to IP67 and European Safety Standards	5-23
5.2.10 SGMSH Servomotors (3000 min <sup>-1</sup> ) Connectors Conforming to IP67 and European Safety Standards	5-26
5.2.11 SGMDH Servomotors (2000 min <sup>-1</sup> ) Connectors Conforming to IP67 and European Safety Standards	5-28
5.2.12 Connectors for SGMCS Servomotors	5-29
5.2.13 Connector Dimensional Drawings	5-31
5.3 SERVOPACK Main Circuit Wire Size	5-37
5.3.1 Cable Types	5-37
5.3.2 Single-phase 100 V	5-37
5.3.3 Single-phase 200 V	5-38
5.3.4 Three-phase 200 V	5-38

5.4 Encoder Cables for CN2 Connector	5-39
5.4.1 Encoder Cable With Connectors on Both Ends for SGMAH and SGMPH Servomotors	5-39
5.4.2 Encoder Cable With Connectors on Both Ends for SGMGH, SGMSH, and SGMDH Servomotors	5-39
5.4.3 Cable with Loose Wire at Encoder End for SGMAH and SGMPH Servomotors	5-40
5.4.4 Cable with Loose Wire at Encoder End for SGMGH, SGMSH, and SGMDH Servomotors	5-41
5.4.5 Encoder Flexible Cables for SGMAH and SGMPH Servomotors	5-43
5.4.6 Encoder Flexible Cables for SGMGH, SGMSH, and SGMDH Servomotors	5-45
5.4.7 Encoder Cable With a Waterproof Connector for SGMAH and SGMPH Servomotors	5-47
5.4.8 Encoder Cables for SGMCS Servomotors	5-48
5.5 Connectors and Cables for Encoder Signals	5-50
5.5.1 Connectors and Cables for SGMAH and SGMPH Servomotors	5-50
5.5.2 Connectors and Cables for SGMGH, SGMSH, and SGMDH Servomotors	5-52
5.5.3 Connectors and Cables for SGMCS Servomotors	5-54
5.6 Flexible Cables	5-55
5.7 I/O Signal Cables for CN1 Connector	5-56
5.7.1 Standard Cables	5-56
5.7.2 Connector Type and Cable Size	5-56
5.7.3 Connection Diagram	5-58
5.8 Peripheral Devices	5-59
5.8.1 Cables for Connecting Personal Computers	5-59
5.8.2 Digital Operator	5-60
5.8.3 Cables for Analog Monitor	5-61
5.8.4 Connector Terminal Block Converter Unit	5-62
5.8.5 Brake Power Supply Unit	5-63
5.8.6 External Regenerative Resistor	5-65
5.8.7 Regenerative Resistor Unit	5-68
5.8.8 Absolute Encoder Battery	5-69
5.8.9 Molded-case Circuit Breaker (MCCB)	5-70
5.8.10 Noise Filter	5-71
5.8.11 Magnetic Contactor	5-75
5.8.12 Surge Absorber (for switching surge)	5-77
5.8.13 Surge Absorber (for lightning surge)	5-79
5.8.14 DC Reactor for Harmonic Suppression	5-80
5.8.15 Variable Resistor for Speed and Torque Setting	5-81
5.8.16 Encoder Signal Converter Unit	5-82

## 5.1 Specifications and Dimensional Drawings of Servomotor Main Circuit Cable

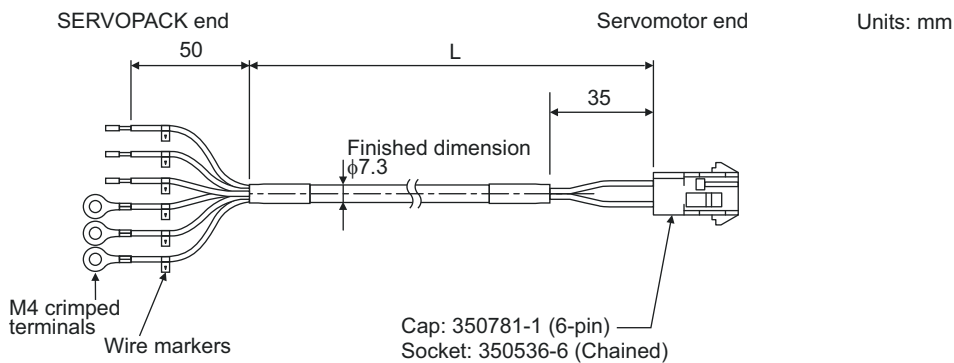
Contact Yaskawa Controls Co., Ltd. for SGMGH, SGMSH, and SGMDH Servomotor main circuit cables. When assembling the servomotor main circuit cable, refer to 5.2 *Servomotor Main Circuit Wire Size and Connectors*.

### 5.1.1 Cables for SGMHAH and SGMPH Servomotors Without Brakes



Applicable Servomotor Models	Cable Type	Cable Length (L)	Applicable Servomotor Models	Cable Type	Cable Length (L)
SGMAH 200 V: 30 to 750 W 100 V: 30 to 200 W	JZSP-CMM00-03	3	SGMPH 200 V: 1.5 kW	JZSP-CMM20-03	3
	JZSP-CMM00-05	5		JZSP-CMM20-05	5
SGMPH 200 V: 100 to 750 W 100 V: 100 W and 200 W	JZSP-CMM00-10	10		JZSP-CMM20-10	10
	JZSP-CMM00-15	15		JZSP-CMM20-15	15
	JZSP-CMM00-20	20		JZSP-CMM20-20	20

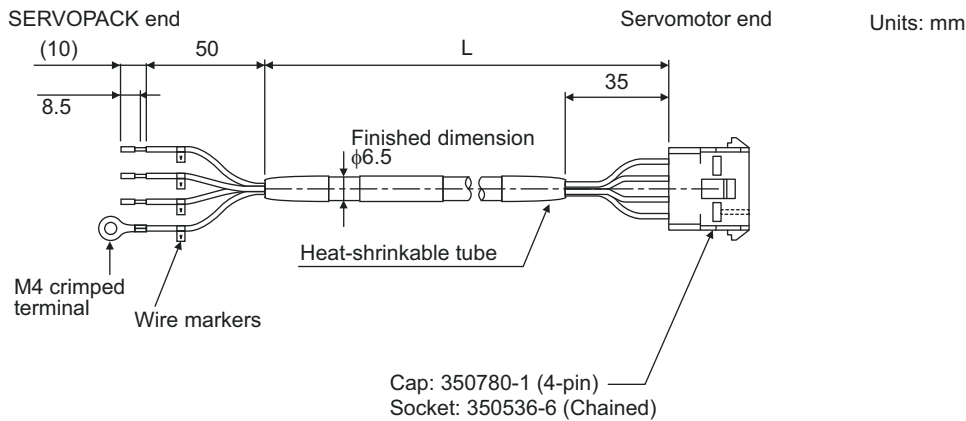
### 5.1.2 Cables for SGMHAH and SGMPH Servomotors With Brakes



Applicable Servomotor Models	Cable Type	Cable Length (L)	Applicable Servomotor Models	Cable Type	Cable Length (L)
SGMAH 200 V: 30 to 750 W 100 V: 30 to 200 W	JZSP-CMM10-03	3	SGMPH 200 V: 1.5 kW	JZSP-CMM30-03	3
	JZSP-CMM10-05	5		JZSP-CMM30-05	5
SGMPH 200 V: 100 to 750 W 100 V: 100 and 200 W	JZSP-CMM10-10	10		JZSP-CMM30-10	10
	JZSP-CMM10-15	15		JZSP-CMM30-15	15
	JZSP-CMM10-20	20		JZSP-CMM30-20	20

5.1.3 Flexible Cables for SGMAH and SGMPH Servomotors Without Brakes

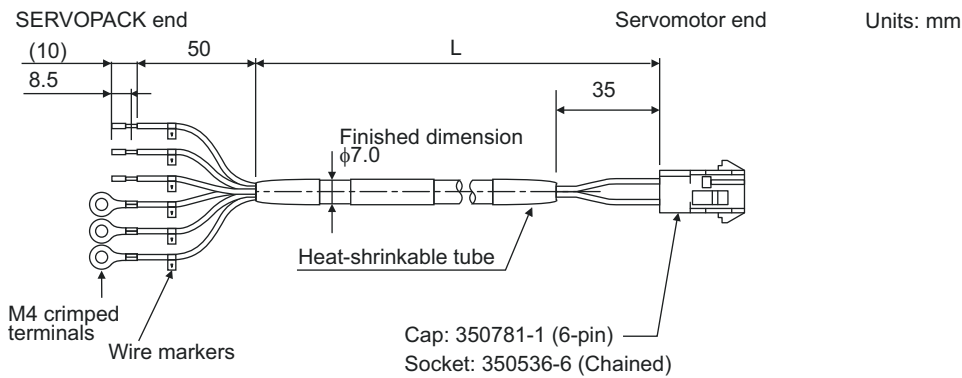
5.1.3 Flexible Cables for SGMAH and SGMPH Servomotors Without Brakes



Units: m

Applicable Servomotor Models	Cable Type	Cable Length (L)
SGMAH 200 V: 30 to 750 W 100 V: 30 to 200 W	JZSP-CMM01-03	3
	JZSP-CMM01-05	5
	JZSP-CMM01-10	10
SGMPH 200 V: 100 to 750 W 100 V: 100 W and 200 W	JZSP-CMM01-15	15
	JZSP-CMM01-20	20

5.1.4 Flexible Cables for SGMAH and SGMPH Servomotors With Brakes

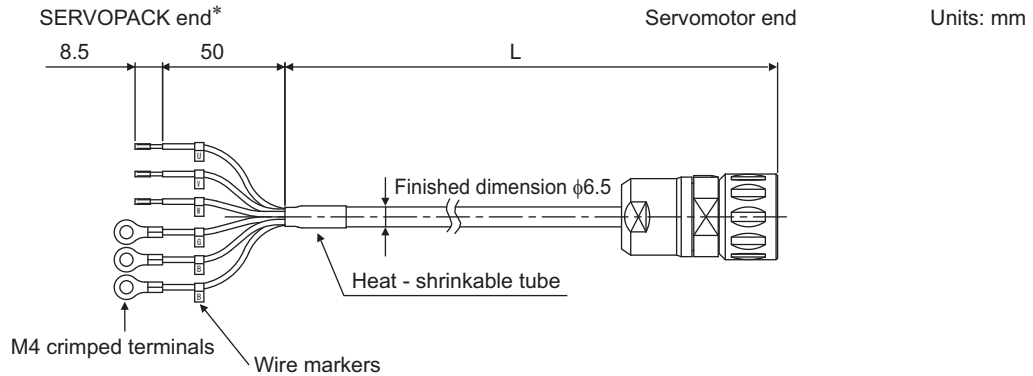


Units: m

Applicable Servomotor Models	Cable Type	Cable Length (L)
SGMAH 200 V: 30 to 750 W 100 V: 30 to 200 W	JZSP-CMM11-03	3
	JZSP-CMM11-05	5
	JZSP-CMM11-10	10
SGMPH 200 V: 100 to 750 W 100 V: 100 W and 200 W	JZSP-CMM11-15	15
	JZSP-CMM11-20	20

### 5.1.5 Cables for SGMAH and SGMPH Servomotors With Waterproof Connector

- For 30 W to 750 W SGMAH and 100 W to 750 W SGMPH Servomotors

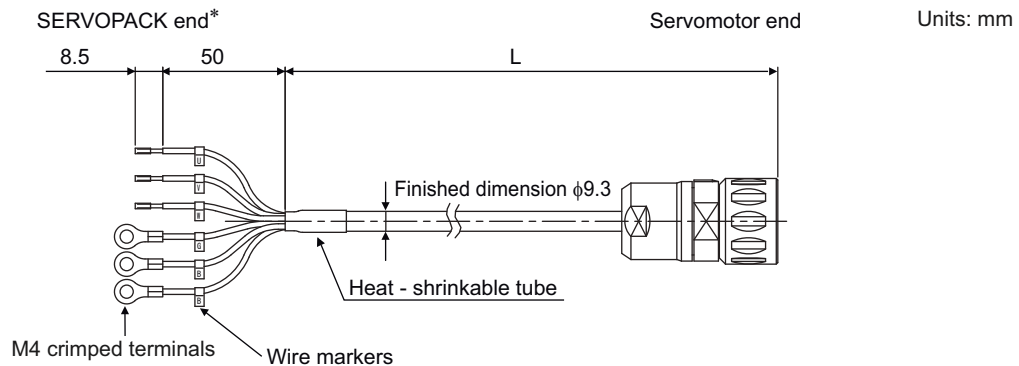


Units: m

Applicable Servomotor Models	Cable Type	Cable Length (L)
SGMAH 30 W to 750 W SGMPH 100 W to 750 W	DP9328645-1	3
	DP9328645-2	5
	DP9328645-3	10
	DP9328645-4	15
	DP9328645-5	20

\* For servomotors with brakes, cut the brake leads for use.

- For 1.5 kW SGMPH Servomotors



Units: m

Applicable Servomotor Models	Cable Type	Cable Length (L)
SGMPH 1.5 kW	DP9328646-1	3
	DP9328646-2	5
	DP9328646-3	10
	DP9328646-4	15
	DP9328646-5	20

\* For servomotors with brakes, cut the brake leads for use.



### 5.1.6 Cables for SGMCS-□□B, C, D, and E Servomotors

Yaskawa provides cables only for SGMCS-□□B, C, D, and E servomotors. Cables for SGMCS-□□M, and N servomotors must be provided by the customer. Refer to 5.2.12 Connectors for SGMCS Servomotors.

#### (1) Cables for Applicable Flange 1, 3

For applicable flanges, refer to 2.1.7 Model SGMCS

##### (a) Cable Type

Standard Type	Flexible Type	Length (L)	Dimensional Drawing
JZSP-CMM60-03	JZSP-CSM60-03	3 m	
JZSP-CMM60-05	JZSP-CSM60-05	5 m	
JZSP-CMM60-10	JZSP-CSM60-10	10 m	
JZSP-CMM60-15	JZSP-CSM60-15	15 m	
JZSP-CMM60-20	JZSP-CSM60-20	20 m	

##### (b) Wiring Specifications

SERVOPACK end		Servomotor end	
Lead Color	Signal	Signal	Pin No.
Red	Phase U	Phase U	1
White	Phase V	Phase V	2
Blue	Phase W	Phase W	3
Green/(yellow)	FG	FG	4

#### (2) Cables for Applicable Flange 4

For applicable flanges, refer to 2.1.7 Model SGMCS.

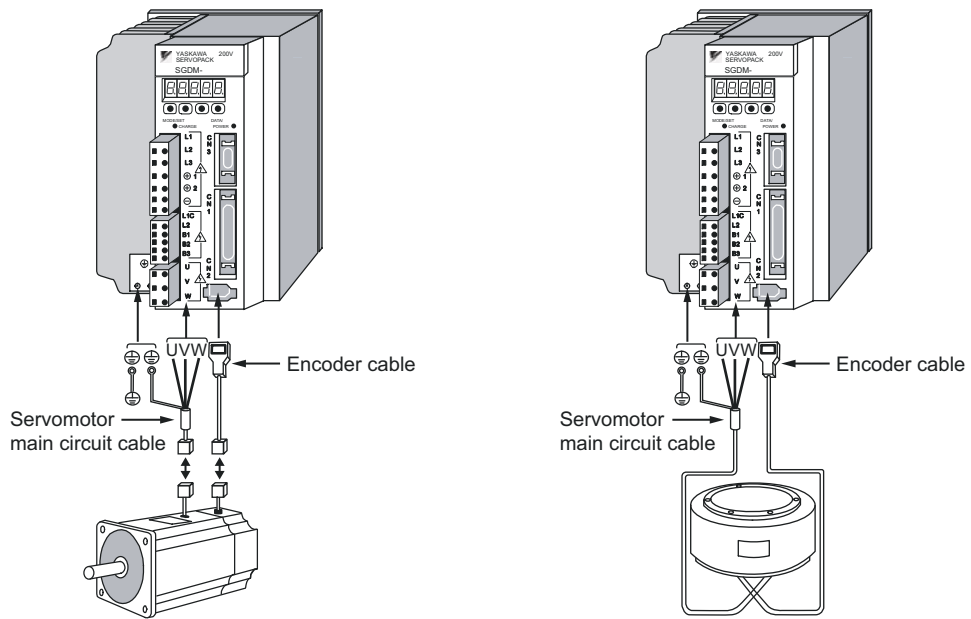
##### (a) Cable Type

Standard Type	Flexible Type	Length (L)	Dimensional Drawing
JZSP-CMM00-03	JZSP-CMM01-03	3 m	
JZSP-CMM00-05	JZSP-CMM01-05	5 m	
JZSP-CMM00-10	JZSP-CMM01-10	10 m	
JZSP-CMM00-15	JZSP-CMM01-15	15 m	
JZSP-CMM00-20	JZSP-CMM01-20	20 m	

##### (b) Wiring Specifications

SERVOPACK end		Servomotor end	
Lead Color	Signal	Signal	Pin No.
Red	Phase U	Phase U	1
White	Phase V	Phase V	2
Blue	Phase W	Phase W	3
Green/(yellow)	FG	FG	4

## 5.2 Servomotor Main Circuit Wire Size and Connectors



### 5.2.1 Wire Size

#### (1) 100 V and 200 V SGMAH Servomotors

Rated Output	30 W to 750 W
Three-phase 100 V	AWG20
Three-phase 200 V	

#### (2) 100 V and 200 V SGMPH Servomotors

Rated Output	100 W	200 to 400 W	750 W	1.5 kW
Three-phase 100 V	AWG22	AWG20		AWG16 (HIV 1.25)
Three-phase 200 V				

#### (3) 200 V SGMGH Servomotors for 1500 min<sup>-1</sup>

Rated Output	450 W	850 W	1.3 kW	1.8 kW	2.9 kW	4.4 kW	5.5 kW	7.5 kW	11.0 kW	15.0 kW
Three-phase 200 V	HIV2.0			HIV3.5	HIV5.5	HIV8	HIV14		HIV22	

#### (4) 200 V SGMGH Servomotors for 1000 min<sup>-1</sup>

Rated Output	300 W	600 W	900 W	1.2 kW	2.0 kW	3.0 kW	4.0 kW	5.5 kW
Three-phase 200 V	HIV2.0				HIV3.5	HIV5.5	HIV8	HIV14

#### (5) 200 V SGMSH Servomotors

Rated Output	1.0 kW	1.5 kW	2.0 kW	3.0 kW	4.0 kW	5.0 kW
Three-phase 200 V	HIV2.0		HIV3.5		HIV5.5	HIV8

## (6) 200 V SGMDH Servomotors

Rated Output	2.2 kW	3.2 kW	4.0 kW
Three-phase 200 V	HIV5.5		HIV8

## (7) 200 V SGMCS Servomotors

Servomotor model	02B	05B	07B	04C	10C	14C	08D	17D	25D	16E	35E
Rated output	42 W	105 W	147 W	84 W	209 W	293 W	168 W	356 W	393 W	335 W	550 W
Wire size	AWG20										

Servomotor model	45M	80M	1AM	80N	1EN	2ZN
Rated output	707 W	1.26 kW	1.73 kW	1.26 kW	2.36 kW	3.14 kW
Three-phase 200 V	HIV2.0		HIV3.5	HIV2.0	HIV3.5	HIV5.5

### 5.2.2 SGMAH and SGMPH Servomotor Connectors for Standard Environments

The SGMAH and SGMPH servomotors do not conform to the IEC’s IP67 classification (IP67 Protective Construction Standard) and the European Safety Standards.

#### (1) 30 to 750 W SGMAH Servomotor Connector Kit

Applicable Servomotor Models		Type
100 V: 30 to 200 W 200 V: 30 to 750 W	Without brakes	JZSP-CMM9-1
	With brakes	JZSP-CMM9-2

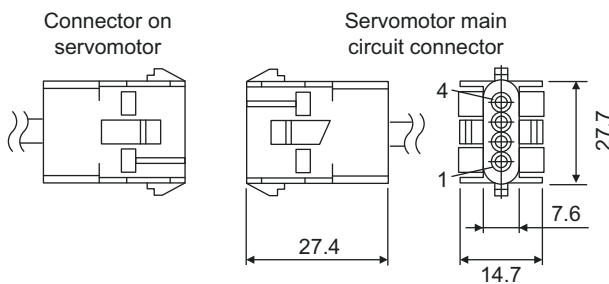
#### (2) 100 W to 1.5 kW SGMPH Servomotor Connector Kit

Applicable Servomotor Models		Type
100 V: 100 W and 200 W 200 V: 100 to 750 W	Without brakes	JZSP-CMM9-1
	With brakes	JZSP-CMM9-2
200 V: 1.5 kW	Without brakes	JZSP-CMM9-3
	With brakes	JZSP-CMM9-4

#### (3) 30 to 750 W SGMAH and 100 to 750 W SGMPH Servomotors Without Brakes

##### (a) Connector Type: JZSP-CMM9-1

Units: mm



Type	
Cap	350780-1
Socket	350570-3 or 350689-3 Soldered type

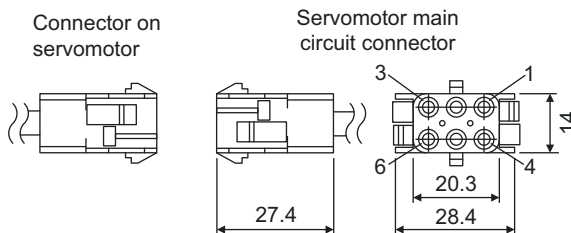
##### (b) Connector Pin Arrangement

Pin No.	Signal	Lead Color
1	Phase U	Red
2	Phase V	White
3	Phase W	Blue
4	FG	Green/Yellow

#### (4) 30 to 750 W SGMAH and 100 to 750 W SGMPH Servomotors With Brakes

##### (a) Connector Type: JZSP-CMM9-2

Units: mm



Type	
Cap	350781-1
Socket	350570-3 or 350689-3 Soldered type

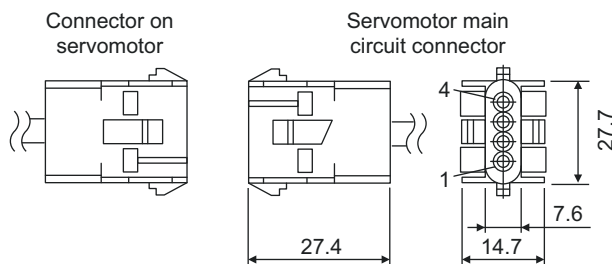
(b) Connector Pin Arrangement

Pin No.	Signal	Lead Color	Remarks
1	Phase U	Red	–
2	Phase V	White	–
3	Phase W	Blue	–
4	FG	Green/Yellow	–
5	Brake terminal	Black	No polarity
6	Brake terminal	Black	

(5) 1.5 kW SGMPH Servomotors Without Brakes

(a) Connector Type: JZSP-CMM9-3

Units: mm



Type	
Cap	350780-1
Socket	350536-6 or 350550-6 (No. 1 to 4) Soldered type

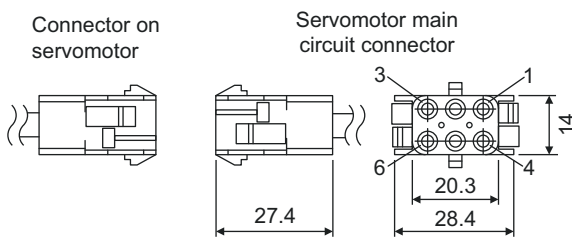
(b) Connector Pin Arrangement

Pin No.	Signal	Lead Color
1	Phase U	Red
2	Phase V	White
3	Phase W	Blue
4	FG	Green/Yellow

(6) 1.5 kW SGMPH Servomotors With Brakes

(a) Connector Type: JZSP-CMM9-4

Units: mm



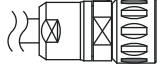
Type	
Cap	350781-1
Socket	350536-6 or 350550-6 (No. 1 to 4) 350570-3 or 350689-3 (No. 5 and 6) Soldered type

(b) Connector Pin Arrangement

Pin No.	Signal	Lead Color	Remarks
1	Phase U	Red	–
2	Phase V	White	–
3	Phase W	Blue	–
4	FG	Green/Yellow	–
5	Brake terminal	Black	No polarity
6	Brake terminal	Black	

## (7) SGMAH and SGMPH Servomotors With a Waterproof Connector

(a) Connector Type: Refer to the table below.



Applicable Servomotor Models	Type	
	SGMAH 30 W to 750 W SGMPH 100 W to 750 W	Plug
Socket		020.030.1020 Soldered type
Manufacturer		Interconnectron GmbH
SGMPH 1.5 kW	Plug	SPUC06KFSDN020
	Socket	020.030.1020 Soldered type
	Manufacturer	Interconnectron GmbH

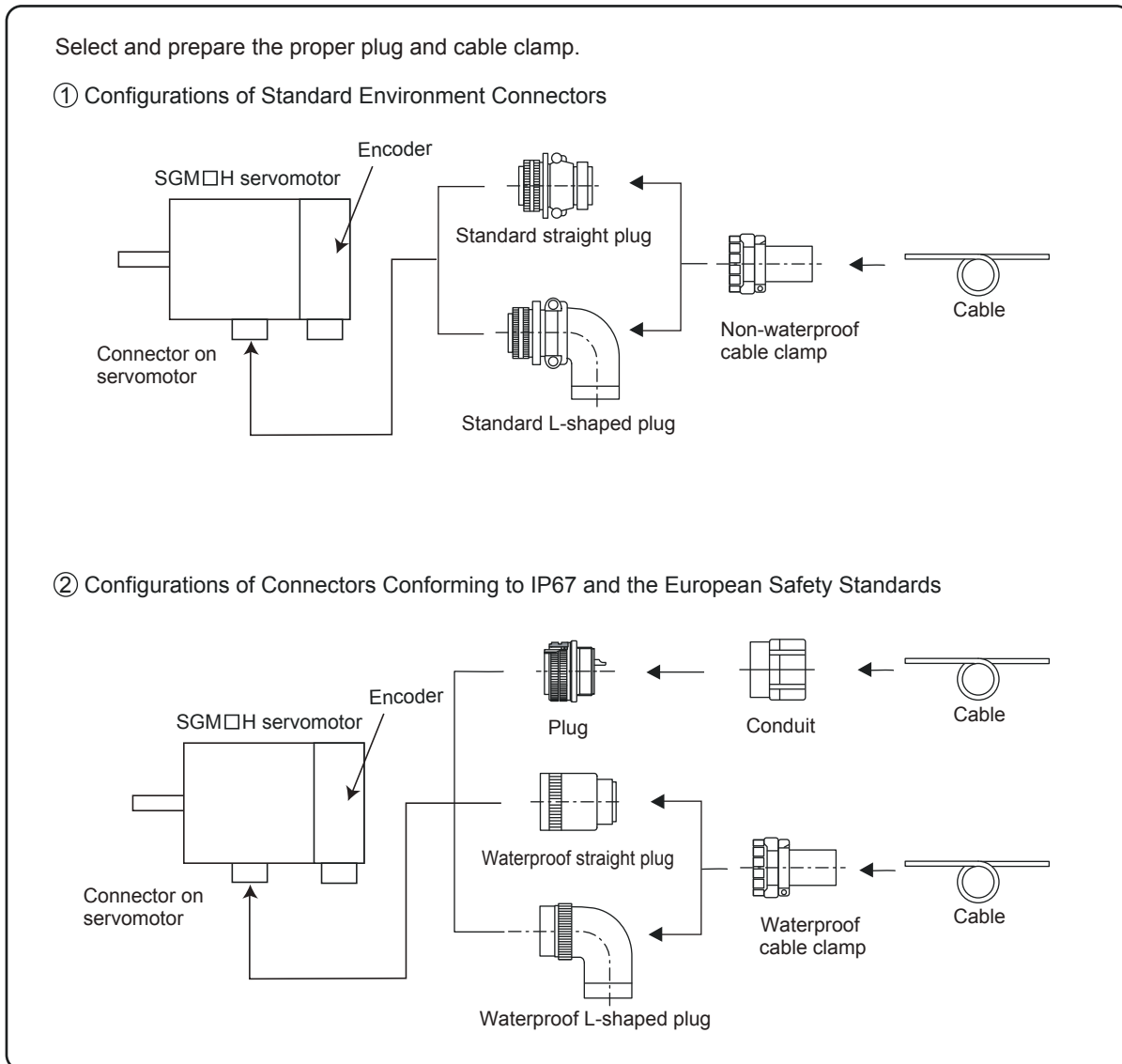
(b) Connector Pin Arrangement

Pin No.	Signal	Lead Color
1	Phase U	Red
2	Phase V	White
3	Phase W	Blue
4	Brake Terminal	Black
5	Brake Terminal	Black
6	FG	Green
7	–	–

### 5.2.3 SGMGH, SGMSH, and SGMDH Servomotor Connector Configurations

The SGMGH, SGMSH, and SGMDH servomotor connector configurations are shown below.

The connectors conforming to IP67 and the European Safety Standards are not available for SGMAH and SGMPH servomotors.



• Connector Manufacturers

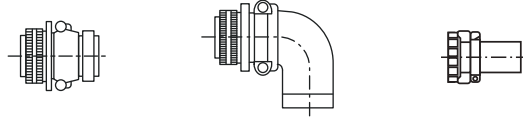
Contact Yaskawa Controls Co., Ltd.

Connector	Type	Manufacturer
Plug	JL□□ (JA□□)	Japan Aviation Electronics Industry, Ltd.
Cable clamp	CE□□	
Conduit	Nippon Flex Co., Ltd.	

## 5.2.4 SGMGH Servomotor (1500 min<sup>-1</sup>) Connectors for Standard Environments

### (1) Without Holding Brakes

The specifications are same for both three-phase 200 V and 400 V servomotors.

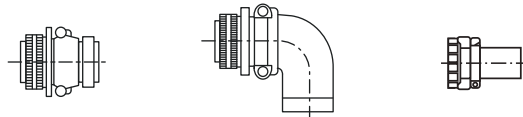


Capacity (kW)	Connector on Servomotor	Plug		Cable Clamp
		Straight	L-shaped	
0.45 0.85 1.3	MS3102A18-10P	MS3106B18-10S	MS3108B18-10S	MS3057-10A
1.8 2.9 4.4	MS3102A22-22P	MS3106B22-22S	MS3108B22-22S	MS3057-12A
5.5 7.5 11.0 15.0	MS3102A32-17P	MS3106B32-17S	MS3108B32-17S	MS3057-20A

### (2) With Holding Brakes

The 5.5 to 15.0 kW servomotors require (a) servomotor-end connector and (b) brake power supply connector.

#### (a) Servomotor-end Connectors

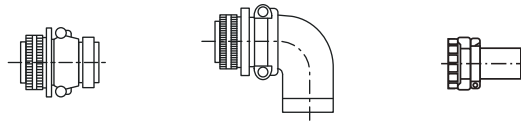


Capacity (kW)	Connector on Servomotor	Plug		Cable Clamp
		Straight	L-shaped	
0.45 0.85 1.3	MS3102A20-15P	MS3106B20-15S	MS3108B20-15S	MS3057-12A
1.8 2.9 4.4	MS3102A24-10P	MS3106B24-10S	MS3108B24-10S	MS3057-16A
5.5 7.5 11.0 15.0	MS3102A32-17P	MS3106B32-17S	MS3108B32-17S	MS3057-20A



(b) Brake Power Supply Connectors

5.5 to 15.0 kW Servomotors

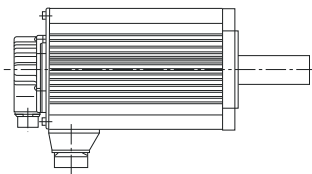


Capacity (kW) Three-phase 200 V	Connector on Servomotor	Plug		Cable Clamp
		Straight	L-shaped	
5.5 7.5 11.0 15.0	MS3102A10SL-3P	MS3106A10SL-3S	Use the connector conforming to protective structure IP67/European safety standard.	MS3057-4A

(3) SGMGH Servomotors (1500 min<sup>-1</sup>) Main Circuit Connector Pin Arrangement

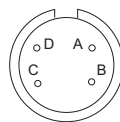
(a) Without Holding Brakes

0.45 to 15.0 kW



Servomotor-end connector

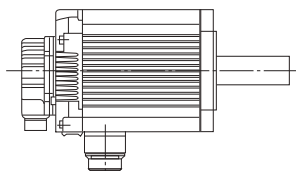
Servomotor Connector Pin Arrangement



Pin No.	Signal
A	Phase U
B	Phase V
C	Phase W
D	FG (Frame Ground)

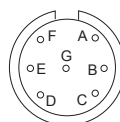
(b) With Holding Brakes

① 0.45 to 4.4 kW



Servomotor-end connector

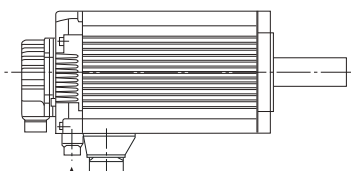
Servomotor Connector Pin Arrangement



Pin No.	Signal	Pin No.	Signal
A	Phase U	E *	Brake terminal
B	Phase V	F *	Brake terminal
C	Phase W	G	—
D	FG (Frame Ground)		

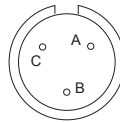
\* No polarity

② 5.5 to 15.0 kW



Servomotor-end connector  
Brake-end connector

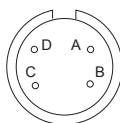
Brake Connector Pin Arrangement



Pin No.	Signal
A *	Brake terminal
B *	Brake terminal
C	—

\* No polarity

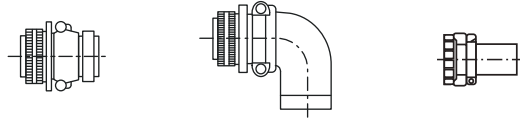
Servomotor Connector Pin Arrangement



Pin No.	Signal
A	Phase U
B	Phase V
C	Phase W
D	FG (Frame Ground)

## 5.2.5 SGMGH Servomotor (1000 min<sup>-1</sup>) Connectors for Standard Environments

### (1) Without Holding Brakes

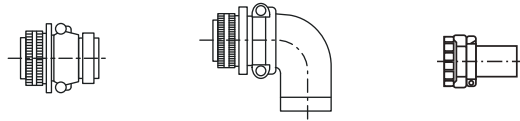


Capacity (kW)	Connector on Servomotor	Plug		Cable Clamp
		Straight	L-shaped	
0.3 0.6 0.9	MS3102A18-10P	MS3106B18-10S	MS3108B18-10S	MS3057-10A
1.2 2.0 3.0	MS3102A22-22P	MS3106B22-22S	MS3108B22-22S	MS3057-12A
4.0 5.5	MS3102A32-17P	MS3106B32-17S	MS3108B32-17S	MS3057-20A

### (2) With Holding Brakes

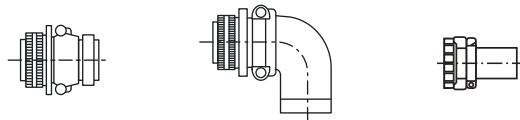
4.0 kW and 5.5 kW servomotors require (a) servomotor-end connector and (b) brake power supply connector.

#### (a) Servomotor-end Connectors



Capacity (kW)	Connector on Servomotor	Plug		Cable Clamp
		Straight	L-shaped	
0.3 0.6 0.9	MS3102A20-15P	MS3106B20-15S	MS3108B20-15S	MS3057-12A
1.2 2.0 3.0	MS3102A24-10P	MS3106B24-10S	MS3108B24-10S	MS3057-16A
4.0 5.5	MS3102A32-17P	MS3106B32-17S	MS3108B32-17S	MS3057-20A

#### (b) Brake Power Supply Connectors

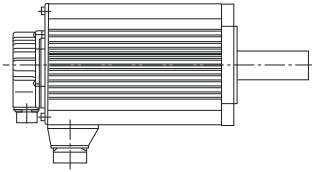


Capacity (kW)	Connector on Servomotor	Plug		Cable Clamp
		Straight	L-shaped	
4.0 5.5	MS3102A10SL-3P	MS3106A10SL-3S	MS3108A10SL-3S	MS3057-4A

### (3) SGMGH (1000 min<sup>-1</sup>) Servomotor Main Circuit Connector Pin Arrangement

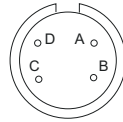
#### (a) Without Holding Brakes

0.3 to 5.5 kW



Servomotor-end connector

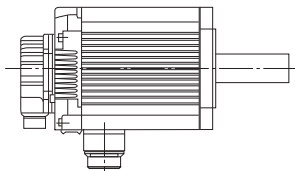
#### Servomotor Connector Pin Arrangement



Pin No.	Signal
A	Phase U
B	Phase V
C	Phase W
D	FG (Frame Ground)

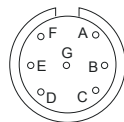
#### (b) With Holding Brakes

① 0.3 to 3.0 kW



Servomotor-end connector

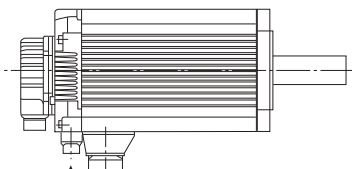
#### Servomotor Connector Pin Arrangement



Pin No.	Signal	Pin No.	Signal
A	Phase U	E *	Brake terminal
B	Phase V	F *	Brake terminal
C	Phase W	G	—
D	FG (Frame Ground)		

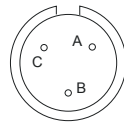
\* No polarity

② 4.0 kW and 5.5 kW



Servomotor-end connector  
Brake-end connector

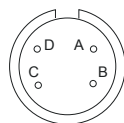
#### Brake Connector Pin Arrangement



Pin No.	Signal
A *	Brake terminal
B *	Brake terminal
C	—

\* No polarity

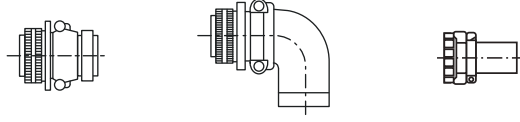
#### Servomotor Connector Pin Arrangement



Pin No.	Signal
A	Phase U
B	Phase V
C	Phase W
D	FG (Frame Ground)

## 5.2.6 SGMSH Servomotor (3000 min<sup>-1</sup>) Connectors for Standard Environments

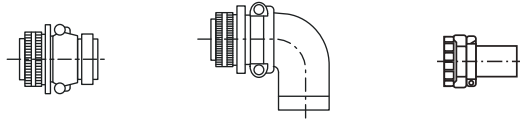
### (1) Without Holding Brakes



Capacity (kW)	Connector on Servomotor	Plug		Cable Clamp
		Straight	L-shaped	
1.0 1.5 2.0	MS3102A18-10P	MS3106B18-10S	MS3108B18-10S	MS3057-10A
3.0 4.0 5.0	MS3102A22-22P	MS3106B22-22S	MS3108B22-22S	MS3057-12A

### (2) With Holding Brakes

#### (a) Servomotor-end Connectors

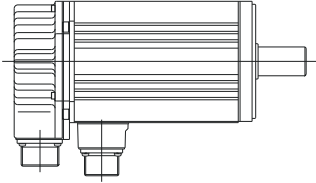


Capacity (kW)	Connector on Servomotor	Plug		Cable Clamp
		Straight	L-shaped	
1.0 1.5 2.0	MS3102A20-15P	MS3106B20-15S	MS3108B20-15S	MS3057-12A
3.0 4.0 5.0	MS3102A24-10P	MS3106B24-10S	MS3108B24-10S	MS3057-16A

### (3) SGMSH Servomotor (3000 min<sup>-1</sup>) Main Circuit Connector Pin Arrangement

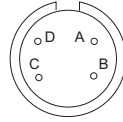
#### (a) Without Holding Brakes

1.0 to 5.0 kW



Servomotor-end connector

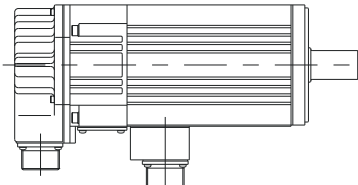
#### Servomotor Connector Pin Arrangement



Pin No.	Signal
A	Phase U
B	Phase V
C	Phase W
D	FG (Frame Ground)

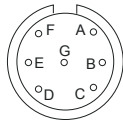
#### (b) With Holding Brakes

1.0 to 5.0 kW



Servomotor-end connector

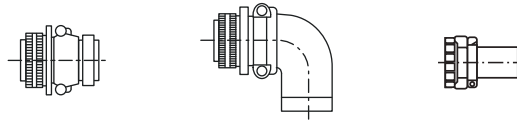
#### Servomotor Connector Pin Arrangement



Pin No.	Signal	Pin No.	Signal
A	Phase U	E *	Brake terminal
B	Phase V	F *	Brake terminal
C	Phase W	G	—
D	FG (Frame Ground)	* No polarity	

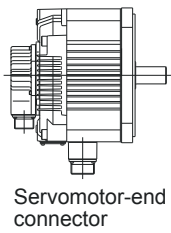
### 5.2.7 SGMDH Servomotor (2000 min<sup>-1</sup>) Connectors for Standard Environments

#### (1) With and Without Holding Brakes

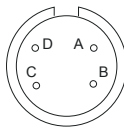


Capacity (kW)	Connector on Servomotor	Plug		Cable Clamp
		Straight	L-shaped	
2.2	MS3102A24-10P	MS3106B24-10S	MS3108B24-10S	MS3057-16A
3.2				
4.0				

#### (2) Servomotor Main Circuit Connector Pin Arrangement

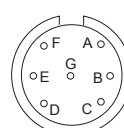


##### Without Brakes



Pin No.	Signal
A	Phase U
B	Phase V
C	Phase W
D	FG (Frame Ground)

##### With Brakes



Pin No.	Signal	Pin No.	Signal
A	Phase U	E *	Brake terminal
B	Phase V	F *	Brake terminal
C	Phase W	G	—
D	FG (Frame Ground)	* No polarity	

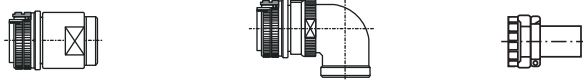
## 5.2.8 SGMGH Servomotor (1500 min<sup>-1</sup>) Connectors Conforming to IP67 and European Safety Standards

### (1) 0.45 to 4.4 kW Servomotors Without Holding Brakes

Select a cable clamp in accordance with the applied cable diameter.



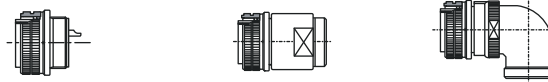
The straight plug type JA06A-22-22S-J1-EB and L-shaped plug type JA08A-22-22S-J1-EB conform to the IP67 Protective Construction Standard only.



Capacity (kW)	Connector on Servomotor	Plug		Cable Clamp	Applicable Cable Range in mm (For reference)
		Straight	L-shaped		
0.45 0.85 1.3	CE05-2A18-10PD-B	CE05-6A18-10SD-B-BSS	CE05-8A18-10SD-B-BAS	CE3057-10A-1 CE3057-10A-2 CE3057-10A-3	φ10.5 to φ14.1 φ 8.5 to φ11.0 φ 6.5 to φ 8.7
1.8 2.9 4.4	JL04HV-2E22-22PE-B	JL04V-6A22-22SE-EB or JA06A-22-22S-J1-EB	JL04V-8A22-22SE-EB or JA08A-22-22S-J1-EB	JL04-2022CK(09) JL04-2022CK(12) JL04-2022CK(14)	φ 6.5 to φ 9.5 φ 9.5 to φ13.0 φ12.9 to φ15.9

### (2) 5.5 to 15.0 kW Servomotors Without Holding Brakes

Select a conduit in accordance with the applied cable diameter.



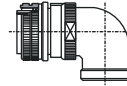
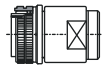
Capacity (kW)	Connector on Servomotor	Plug	Conduit		Applicable Cable Range in mm (For reference)
			Straight	L-shaped	
5.5 7.5 11.0 15.0	JL04V-2E32-17PE-B	JL04V-6A32-17SE	ACS-16RL-MS32F ACS-20RL-MS32F ACS-24RL-MS32F ACS-28RL-MS32F ACS-32RL-MS32F ACS-36RL-MS32F	ACA-16RL-MS32F ACA-20RL-MS32F ACA-24RL-MS32F ACA-28RL-MS32F ACA-32RL-MS32F ACA-36RL-MS32F	φ12.0 to φ16.0 φ16.0 to φ20.0 φ20.0 to φ24.0 φ24.0 to φ28.0 φ28.0 to φ32.0 φ32.0 to φ36.0

**(3) 0.45 to 4.4 kW Servomotors With Holding Brakes**

Select a cable clamp in accordance with the applied cable diameter.



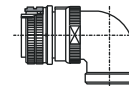
The straight plug type JA06A-24-10S-J1-EB and L-shaped plug type JA08A-24-10S-J1-EB conform to IP67 Protective Construction Standard only.



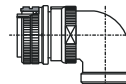
Capacity (kW)	Connector on Servomotor	Plug		Cable Clamp	Applicable Cable Range in mm (For reference)
		Straight	L-shaped		
0.45 0.85 1.3	JL04V-2E20-15PE-B	JL04V-6A20-15SE-EB	JL04V-8A20-15SE-EB	JL04-2022CK(09)	φ6.5 to φ9.5
				JL04-2022CK(12)	φ9.5 to φ13.0
				JL04-2022CK(14)	φ12.9 to φ15.9
1.8 2.9 4.4	JL04V-2E24-10PE-B	JL04V-6A24-10SE-EB or JA06A-24-10S-J1-EB	JL04V-8A24-10SE-EB or JA08A-24-10S-J1-EB	JL04-2428CK(11)	φ9.0 to φ12.0
				JL04-2428CK(14)	φ12.0 to φ15.0
				JL04-2428CK(17)	φ15.0 to φ18.0
				JL04-2428CK(20)	φ18.0 to φ20.0

**(4) 5.5 to 15.0 kW Servomotors With Holding Brakes**

The servomotor end connector (a) and brake power supply connector (b) are required. Select a conduit in accordance with the applied cable diameter.

**(a) Servomotor-end Connector**

Capacity (kW)	Connector on Servomotor	Plug	Conduit		Applicable Cable Range in mm (For reference)
			Straight	L-shaped	
5.5 7.5 11.0 15.0	JL04V-2E32-17PE-B	JL04V-6A32-17SE	ACS-16RL-MS32F	ACA-16RL-MS32F	φ12.0 to φ16.0
			ACS-20RL-MS32F	ACA-20RL-MS32F	φ16.0 to φ20.0
			ACS-24RL-MS32F	ACA-24RL-MS32F	φ20.0 to φ24.0
			ACS-28RL-MS32F	ACA-28RL-MS32F	φ24.0 to φ28.0
			ACS-32RL-MS32F	ACA-32RL-MS32F	φ28.0 to φ32.0
			ACS-36RL-MS32F	ACA-36RL-MS32F	φ32.0 to φ36.0

**(b) Brake Power Supply Connectors**

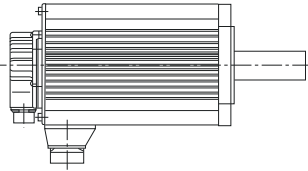
Capacity (kW)	Connector on Servomotor	Plug		Cable Clamp	Applicable Cable Range in mm (For reference)
		Straight	L-shaped		
5.5 7.5 11.0 15.0	CE05-2A10SL-3PC-B	CE05-6A10SL-3SC-B-BSS	CE05-8A10SL-3SC-B-BAS	CE3057-4A-1	φ 3.6 to φ5.6



### (5) Servomotor Main Circuit Connector Pin Arrangement

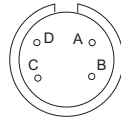
#### (a) Servomotors Without Holding Brakes

0.45 to 15.0 kW



Servomotor-end connector

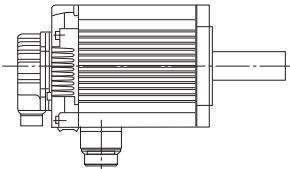
#### Servomotor Connector Pin Arrangement



Pin No.	Signal
A	Phase U
B	Phase V
C	Phase W
D	FG (Frame Ground)

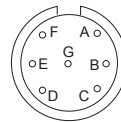
#### (b) Servomotors With Holding Brakes

① 0.45 to 4.4 kW



Servomotor-end connector

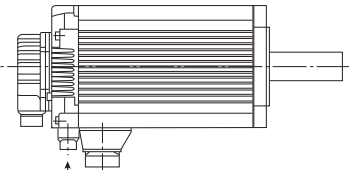
#### Servomotor Connector Pin Arrangement



Pin No.	Signal	Pin No.	Signal
A	Phase U	E *	Brake terminal
B	Phase V	F *	Brake terminal
C	Phase W	G	—
D	FG (Frame Ground)		

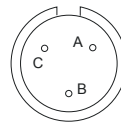
\* No polarity

② 5.5 to 15.0 kW



Servomotor-end connector  
Brake-end connector

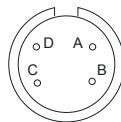
#### Brake Connector Pin Arrangement



Pin No.	Signal
A *	Brake terminal
B *	Brake terminal
C	—

\* No polarity

#### Servomotor Connector Pin Arrangement



Pin No.	Signal
A	Phase U
B	Phase V
C	Phase W
D	FG (Frame Ground)

## 5.2.9 SGMGH Servomotor (1000 min<sup>-1</sup>) Connectors Conforming to IP67 and European Safety Standards

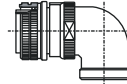
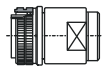
### (1) Servomotors Without Holding Brakes

#### (a) For 0.3 to 3.0 kW Servomotors

Select a cable clamp in accordance with the applied cable diameter.



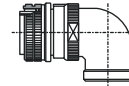
The straight plug type JA06A-22-22S-J1-EB and L-shaped plug type JA08A-22-22S-J1-EB conform to IP67 Protective Construction Standard only.



Capacity (kW)	Connector on Servomotor	Plug		Cable Clamp	Applicable Cable Range in mm (For reference)
		Straight	L-shaped		
0.3 0.6 0.9	CE05-2A18-10PD-B	CE05-6A18-10SD-B-BSS	CE05-8A18-10SD-B-BAS	CE3057-10A-1 CE3057-10A-2 CE3057-10A-3	φ10.5 to φ14.1 φ 8.5 to φ11.0 φ 6.5 to φ 8.7
1.2 2.0 3.0	JL04HV-2E22-22PE-B	JL04V-6A22-22SE-EB or JA06A-22-22S-J1-EB	JL04V-8A22-22SE-EB or JA08A-22-22S-J1-EB	JL04-2022CK(09) JL04-2022CK(12) JL04-2022CK(14)	φ 6.5 to φ 9.5 φ 9.5 to φ13.0 φ12.9 to φ15.9

#### (b) For 4.0 kW and 5.5 kW Servomotors

Select a conduit in accordance with the applied cable diameter.



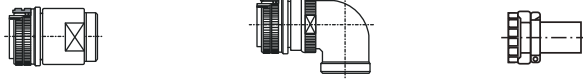
Capacity (kW)	Connector on Servomotor	Plug	Conduit		Applicable Cable Range in mm (For reference)
			Straight	L-shaped	
4.0 5.5	JL04V-2E32-17PE-B	JL04V-6A32-17SE	ACS-16RL-MS32F ACS-20RL-MS32F ACS-24RL-MS32F ACS-28RL-MS32F ACS-32RL-MS32F ACS-36RL-MS32F	ACA-16RL-MS32F ACA-20RL-MS32F ACA-24RL-MS32F ACA-28RL-MS32F ACA-32RL-MS32F ACA-36RL-MS32F	φ12.0 to φ16.0 φ16.0 to φ20.0 φ20.0 to φ24.0 φ24.0 to φ28.0 φ28.0 to φ32.0 φ32.0 to φ36.0

**(2) 0.3 to 3.0 kW Servomotors With Holding Brakes**

Select a cable clamp in accordance with the applied cable diameter.



The straight plug type JA06A-24-10S-J1-EB and L-shaped plug type JA08A-24-10S-J1-EB conform to IP67 Protective Construction Standard only.

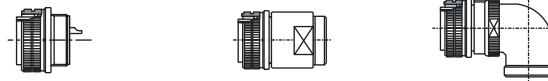


Capacity (kW)	Connector on Servomotor	Plug		Cable Clamp	Applicable Cable Range in mm (in) (For reference)
		Straight	L-shaped		
0.3	JL04V-2E20-15PE-B	JL04V-6A20-15SE-EB	JL04V-8A20-15SE-EB	JL04-2022CK(09)	φ 6.5 to φ 9.5
0.6				JL04-2022CK(12)	φ 9.5 to φ13.0
0.9				JL04-2022CK(14)	φ12.9 to φ15.9
1.2	JL04V-2E24-10PE-B	JL04V-6A24-10SE-EB or JA06A-24-10S-J1-EB	JL04V-8A24-10SE-EB or JA08A-24-10S-J1-EB	JL04-2428CK(11)	φ9.0 to φ12.0
2.0				JL04-2428CK(14)	φ12.0 to φ15.0
3.0				JL04-2428CK(17)	φ15.0 to φ18.0
				JL04-2428CK(20)	φ18.0 to φ20.0

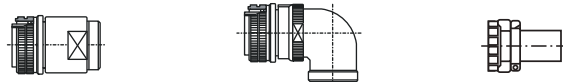
**(3) 4.0 kW and 5.5 kW Servomotors With Holding Brakes**

The servomotor end connector (a) and brake power supply connector (b) are required.

Select a conduit in accordance with the applied cable diameter.

**(a) Servomotor-end Connector**

Capacity (kW)	Connector on Servomotor	Plug	Conduit		Applicable Cable Range in mm (For reference)
			Straight	L-shaped	
4.0 5.5	JL04V-2E32-17PE-B	JL04V-6A32-17SE	ACS-16RL-MS32F	ACA-16RL-MS32F	φ12.0 to φ16.0
			ACS-20RL-MS32F	ACA-20RL-MS32F	φ16.0 to φ20.0
			ACS-24RL-MS32F	ACA-24RL-MS32F	φ20.0 to φ24.0
			ACS-28RL-MS32F	ACA-28RL-MS32F	φ24.0 to φ28.0
			ACS-32RL-MS32F	ACA-32RL-MS32F	φ28.0 to φ32.0
			ACS-36RL-MS32F	ACA-36RL-MS32F	φ32.0 to φ36.0

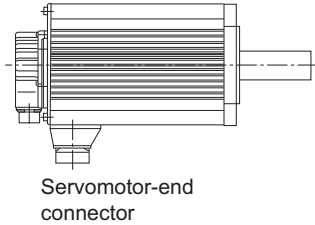
**(b) Brake Power Supply Connector**

Capacity (kW)	Connector on Servomotor	Plug		Cable Clamp	Applicable Cable Range in mm (For reference)
		Straight	L-shaped		
4.0 5.5	CE05-2A10SL-3PC-B	CE05-6A10SL-3SC-B-BSS	CE05-8A10SL-3SC-B-BAS	CE3057-4A-1	φ 3.6 to φ 5.6

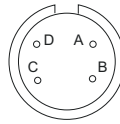
### (4) Servomotor Main Circuit Connector Pin Arrangement

#### (a) Servomotors Without Holding Brakes

0.3 to 5.5 kW



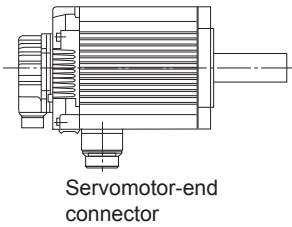
Servomotor Connector Pin Arrangement



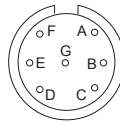
Pin No.	Signal
A	Phase U
B	Phase V
C	Phase W
D	FG (Frame Ground)

#### (b) Servomotors With Holding Brakes

① 0.3 to 3.0 kW

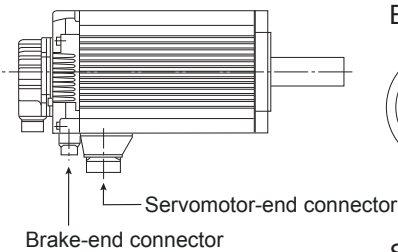


Servomotor Connector Pin Arrangement

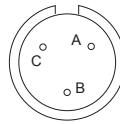


Pin No.	Signal	Pin No.	Signal
A	Phase U	E *	Brake terminal
B	Phase V	F *	Brake terminal
C	Phase W	G	—
D	FG (Frame Ground)	* No polarity	

② 4.0 kW and 5.5 kW



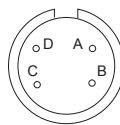
Brake Connector Pin Arrangement



Pin No.	Signal
A *	Brake terminal
B *	Brake terminal
C	—

\* No polarity

Servomotor Connector Pin Arrangement



Pin No.	Signal
A	Phase U
B	Phase V
C	Phase W
D	FG (Frame Ground)

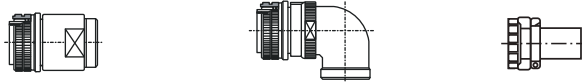
## 5.2.10 SGMSH Servomotors (3000 min<sup>-1</sup>) Connectors Conforming to IP67 and European Safety Standards

### (1) Servomotors Without Holding Brakes

Select a cable clamp in accordance with the applied cable diameter.



The straight plug type JA06A-22-22S-J1-EB and L-shaped plug type JA08A-22-22S-J1-EB conform to IP67 Protective Construction Standard only.



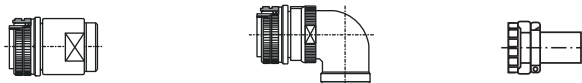
Capacity (kW)	Connector on Servomotor	Plug		Cable Clamp	Applicable Cable Range in mm (For reference)
		Straight	L-shaped		
1.0 1.5 2.0	CE05-2A18-10PD-B	CE05-6A18-10SD-B-BSS	CE05-8A18-10SD-B-BAS	CE3057-10A-1 CE3057-10A-2 CE3057-10A-3	φ10.5 to φ14.1 φ 8.5 to φ11.0 φ 6.5 to φ 8.7
3.0 4.0 5.0	JL04HV-2E22-22PE-B	JL04V-6A22-22SE-EB or JA06A-22-22S-J1-EB	JL04V-8A22-22SE-EB or JA08A-22-22S-J1-EB	JL04-2022CK(09) JL04-2022CK(12) JL04-2022CK(14)	φ 6.5 to φ 9.5 φ 9.5 to φ13.0 φ12.9 to φ15.9

### (2) Servomotors With Holding Brakes

Select a cable clamp in accordance with the applied cable diameter.



The straight plug type JA06A-24-10S-J1-EB and L-shaped plug type JA08A-24-10S-J1-EB conform to IP67 Protective Construction Standard only.

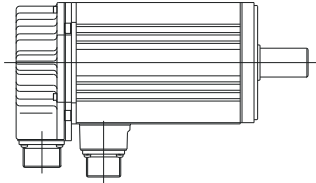


Capacity (kW)	Connector on Servomotor	Plug		Cable Clamp	Applicable Cable Range in mm (For reference)
		Straight	L-shaped		
1.0 1.5 2.0	JL04V-2E20-15PE-B	JL04V-6A20-15SE-EB	JL04V-8A20-15SE-EB	JL04-2022CK(09) JL04-2022CK(12) JL04-2022CK(14)	φ 6.5 to φ 9.5 φ 9.5 to φ13.0 φ12.9 to φ15.9
3.0 4.0 5.0	JL04V-2E24-10PE-B	JL04V-6A24-10SE-EB or JA06A-24-10S-J1-EB	JL04V-8A24-10SE-EB or JA08A-24-10S-J1-EB	JL04-2428CK(11) JL04-2428CK(14) JL04-2428CK(17) JL04-2428CK(20)	φ 9.0 to φ12.0 φ12.0 to φ15.0 φ15.0 to φ18.0 φ18.0 to φ20.0

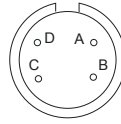
## (3) Servomotor Main Circuit Connector Pin Arrangement

## (a) Without Brakes

1.0 to 5.0 kW

Servomotor-end  
connector

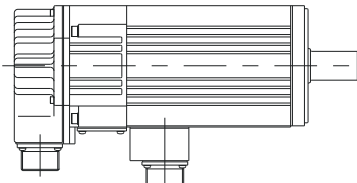
## Servomotor Connector Pin Arrangement



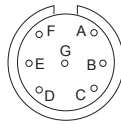
Pin No.	Signal
A	Phase U
B	Phase V
C	Phase W
D	FG (Frame Ground)

## (b) With Brakes

1.0 to 5.0 kW

Servomotor-end  
connector

## Servomotor Connector Pin Arrangement



Pin No.	Signal	Pin No.	Signal
A	Phase U	E *	Brake terminal
B	Phase V	F *	Brake terminal
C	Phase W	G	—
D	FG (Frame Ground)	* No polarity	

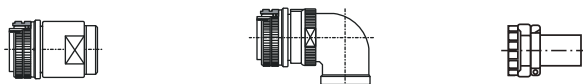
### 5.2.11 SGMDH Servomotors (2000 min<sup>-1</sup>) Connectors Conforming to IP67 and European Safety Standards

#### (1) Servomotors With and Without Holding Brakes

Select a cable clamp in accordance with the applied cable diameter.

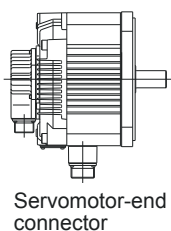


The straight plug type JA06A-24-10S-J1-EB and L-shaped plug type JA08A-24-10S-J1-EB conform to IP67 Protective Construction Standard only.

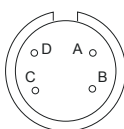


Capacity (kW)	Connector on Servomotor	Plug		Cable Clamp	Applicable Cable Range in mm (For reference)
		Straight	L-shaped		
2.2	JL04V-2E24-10PE-B	JL04V-6A24-10SE-EB or JA06A-24-10S-J1-EB	JL04V-8A24-10SE-EB or JA08A-24-10S-J1-EB	JL04-2428CK(11)	φ 9.0 to φ12.0
3.2				JL04-2428CK(14)	φ12.0 to φ15.0
4.0				JL04-2428CK(17)	φ15.0 to φ18.0
				JL04-2428CK(20)	φ18.0 to φ20.0

#### (2) SGMDH (2000 min<sup>-1</sup>) Servomotor Main Circuit Connector Pin Arrangement

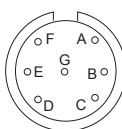


▪ Without Brakes



Pin No.	Signal
A	Phase U
B	Phase V
C	Phase W
D	FG (Frame Ground)

▪ With Brakes



Pin No.	Signal	Pin No.	Signal
A	Phase U	E *	Brake terminal
B	Phase V	F *	Brake terminal
C	Phase W	G	—
D	FG (Frame Ground)		

\* No polarity

5.2.12 Connectors for SGMCS Servomotors

(1) For SGMCS-□□B, C, D, and E Connectors

(a) Servomotor Main Circuit Connectors

Items	Description
Manufacturer	Japan Aviation Electronics Industry, Ltd.
Plug	JN1DS04FK1(Soldered)
Applicable Cable Outer Diameter	φ5.7 mm to φ7.3 mm
Dimensional Drawings in mm	

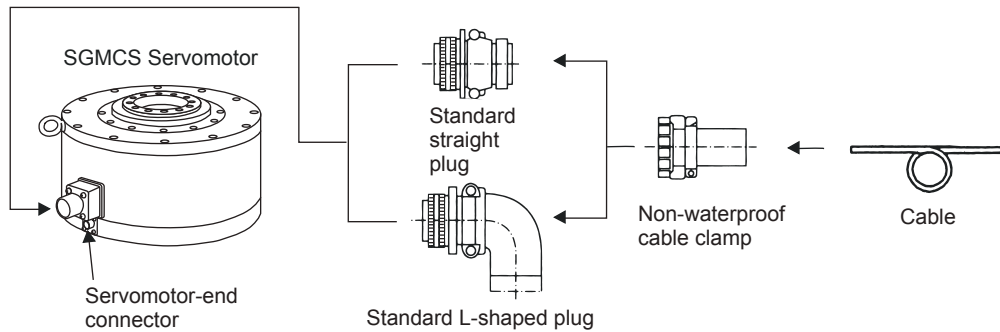
Note: The mating connector type on servomotor: JN1AS04MK3

(b) Wiring Specifications

SERVOPACK end		Servomotor end	
Lead Color	Signal	Signal	Pin No.
Red	Phase U	Phase U	1
White	Phase V	Phase V	2
Blue	Phase W	Phase W	3
Green/(yellow)	FG	FG	4

(2) For SGMCS-□□M and N Connectors

(a) Connector Configuration Diagram



Servomotor end	Cable end (Not provided by Yaskawa)		
Receptacle	L-shaped plug	Straight plug	Cable clamp
MS3102A18-10P	MS3108B18-10S	MS3106B18-10S	MS3057-10A

(b) MS3108B: L-shaped Plug Shell Dimensional Drawings

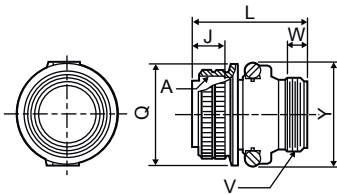
Model	Shell Size	Joint Screw A	Length of Joint Portion J±0.12	Overall Length L max.	Outer Diameter of Joint Nut φQ <sup>+0</sup> <sub>-0.38</sub>	R ±0.5	U ±0.5	Cable Clamp Set Screw V	Effective Screw Length W min.
MS3108B	18	1 1/8 - 18UNEF	18.26	68.27	34.13	20.5	30.2	1-20UNEF	9.53

Units: mm



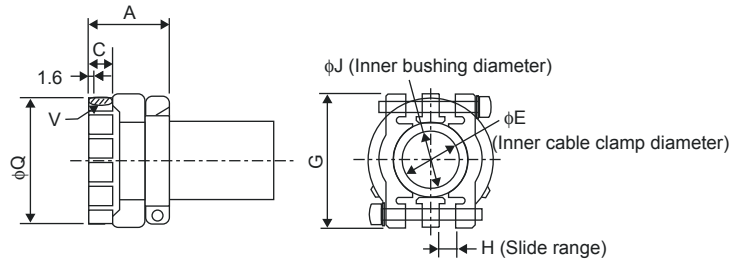
(c) MS3106B: Straight Plug Shell Dimensional Drawings

Units: mm



Model	Shell Size	Joint Screw A	Length of Joint Portion $J \pm 0.12$	Overall Length L max.	Outer Diameter of Joint Nut $\phi Q_{+0, -0.38}^0$	Cable Clamp Set Screw V	Effective Screw Length W min.	Maximum Width Y max.
MS3106B	18	1 1/8 - 18UNEF	18.26	52.37	34.13	1-20UNEF	9.53	42

(d) MS3057A-□□A Cable Clamp with Rubber Bushing Dimensional Drawings



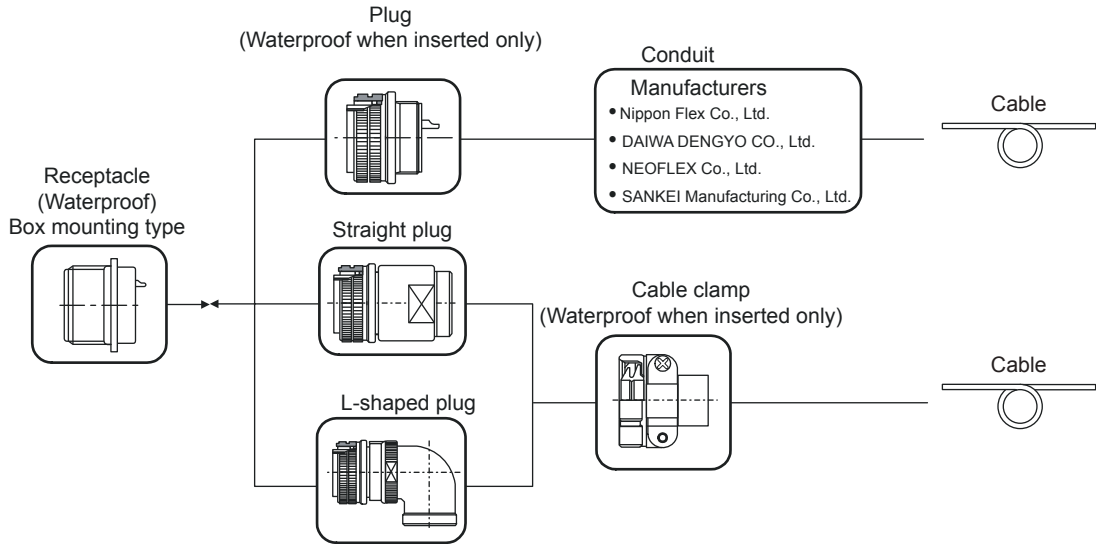
Units: mm

Cable Clamp Type	Applicable Connector Shell Size	Overall Length $A \pm 0.7$	Effective Screw Length C	$\phi E$	$G \pm 0.7$	H	$\phi J$	Set Screw V	Outer Diameter $\phi Q \pm 0.7$	Attached Bushing
MS3057-10A	18	23.8	10.3	15.9	31.7	3.2	14.3	1-20UNEF	30.1	AN3420-10

### 5.2.13 Connector Dimensional Drawings

(1) Connectors Conforming to European Safety Standards (TÜV Certified), Manufactured by DDK Electronics, Inc.

Contact Yaskawa Controls Co., Ltd.



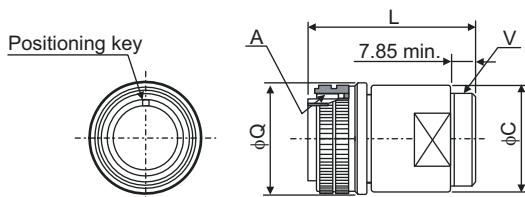
Note: Possible to connect with an MS connector.

(a) CE05 Series Products

For more information, contact the manufacturer of the conduit being used.

Receptacle	Plug		Waterproof Cable Clamp	Reference
	Type	Model		
CE05-2A10SL-3PC-B	Plug	CE05-6A10SL-3SC-B	Applicable with conduit	(d)
	Straight plug	CE05-6A10SL-3SC-B-BSS	CE3057-4A-1	(b) and (e)
	L-shaped plug	CE05-8A10SL-3SC-B-BAS	(D265)	(c) and (e)
CE05-2A18-10PD-B	Plug	CE05-6A18-10SD-B	Applicable with conduit	(d)
	Straight plug	CE05-6A18-10SD-B-BSS	CE3057-10A-□	(b) and (e)
	L-shaped plug	CE05-8A18-10SD-B-BAS	(D265)	(c) and (e)

(b) Straight Plugs

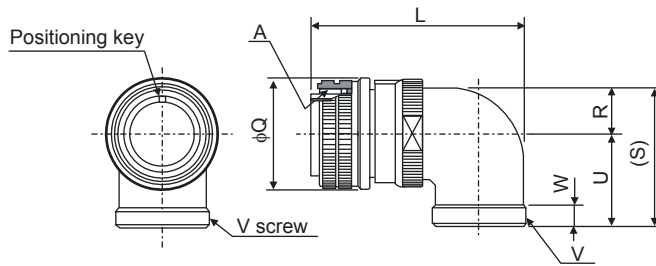


Units: mm

Model	Joint Screw A	Outer Diameter of Nut $\phi Q^{+0}_{-0.38}$	$\phi C \pm 0.8$	Max. Overall Length L	Cable Clamp Mounting Screw V
CE05-6A10SL-3SC-BSS	5/8-24UNEF-2B	22.22	18.6	40	5/8-24UNEF-2A
CE05-6A18-10SD-B-BSS	1 1/8-18UNEF-2B	34.13	32.1	57	1-20UNEF-2A

Note: The plug CE05-6A□□-□□P□-B-BSS is pin inserting type. The mating receptacle is socket inserting type.

(c) L-shaped Plugs

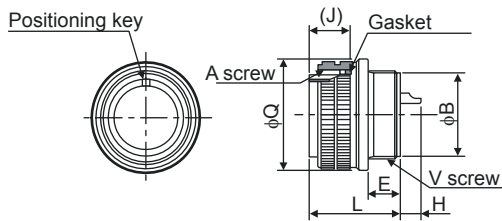


Units: mm

Model	Joint Screw A	Outer Diameter of Nut $\phi Q^{+0}_{-0.38}$	Max. Overall Length L	Cable Clamp Mounting Screw V	$R \pm 0.7$	$U \pm 0.7$	$(S) \pm 1$	Effective Screw Length W
CE05-8A10SL-3SC-B-BAS	5/8-24UNEF-2B	22.22	47.8	5/8-24UNEF-2A	7.9	21.0	28.9	7.5
CE05-8A18-10SD-B-BAS	1 1/8-18UNEF-2B	34.13	69.5	1-20UNEF-2A	13.2	30.2	43.4	7.5

Note: The plug CE05-8A□□-□□P□-B-BAS is pin inserting type. The mating receptacle is socket inserting type.

(d) Plug

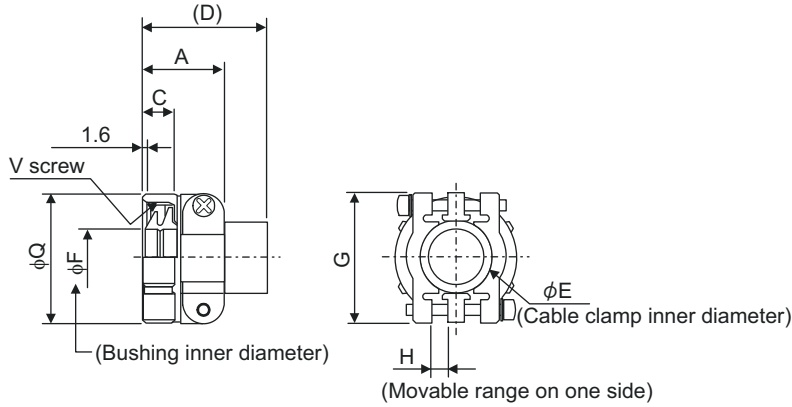


Units: mm

Model	Joint Screw A	Outer Diameter of Nut $\phi Q^{+0}_{-0.38}$	Overall Length $L \pm 1$	Conduit Mounting Screw V	$E \pm 0.5$	$\phi B^{+0.05}_{-0.25}$	$H \pm 0.1$	(J)
CE05-6A10SL-3SC-B	5/8-24UNEF-2B	22.22	23.3	9/16-24UNEF-2A	7.5	12.5	5.6	13.2
CE05-6A18-10SD-B	1 1/8-18UNEF-2B	34.13	33.7	1-20UNEF-2A	11.74	23.5	6.4	19.0

Note: 1. The plug CE05-6A□□-□□P□-B is pin inserting type. The mating receptacle is socket inserting type.  
2. Consult the conduit manufacturer if a conduit is required.

(e) CE3057-□□A-□(D265) Waterproof Cable Clamp With Rubber Bushing



Units: mm

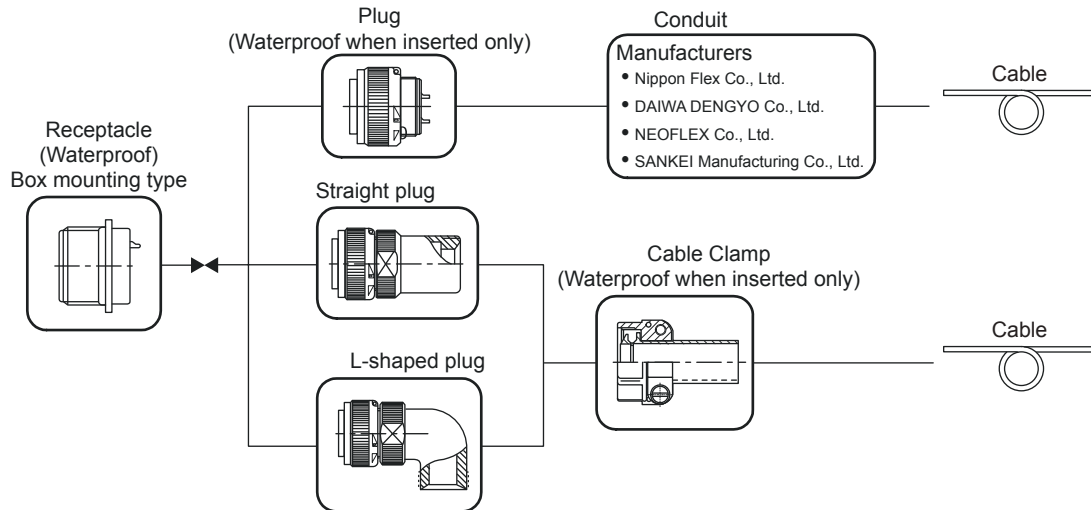
Model	Applicable Shell Size	Overall Length A±0.7	Outer Diameter φQ±0.7	Effective Screw Length C	(D)	E	F	G±0.7	H
CE3057-4A-1(D265)	10SL	20.6	20.6	10.3	(41.3)	7.9	5.6	22.2	1.6
CE3057-10A-1(D265)	18	23.8	30.1	10.3	(41.3)	15.9	14.1	31.7	3.2
CE3057-10A-2(D265)							11		
CE3057-10A-3(D265)							8.7		

Model	Cable Clamp Mounting Screw V	Attached Bushing Model	Applicable Cable Range in mm (For reference)
CE3057-4A-1(D265)	5/8-24UNEF-2B	CE3420-4-1	φ3.6 to φ5.6
CE3057-10A-1(D265)	1-20UNEF-2B	CE3420-10-1	φ10.5 to φ14.1
CE3057-10A-2(D265)		CE3420-10-2	φ8.5 to φ11
CE3057-10A-3(D265)		CE3420-10-3	φ6.5 to φ8.7

Note: The cable clamp CE3057-6A for the shell size 14 is not available. Use together with a conduit.

(2) Connectors Conforming to European Safety Standards (TÜV Certified), Manufactured by Japan Aviation Electronics Industry, Ltd.

Contact Yaskawa Controls Co., Ltd.



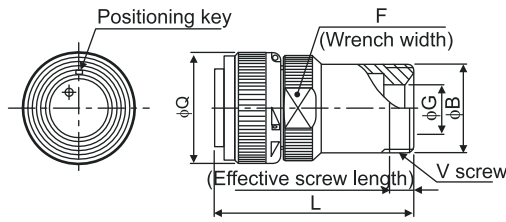
Note: Possible to connect with an MS connector

(a) JL04V Series Products

For more information, contact the manufacturer of the conduit being used.

Receptacle	Plug		Waterproof Cable Clamp	Reference
	Type	Model		
JL04V-2E20-15PE-B	Plug	JL04V-6A20-15SE	Applicable with conduit	(d)
	Straight plug	JL04V-6A20-15SE-EB	JL04-2022CK(14) or applicable with conduit	(b) and (e)
	L-shaped plug	JL04V-8A20-15SE-EB		(c) and (e)
JL04HV-2E22-22PE-B	Plug	JL04V-6A22-22SE	Applicable with conduit	(d)
	Straight plug	JL04V-6A22-22SE-EB	JL04-2022CK(14) or applicable with conduit	(b) and (e)
	L-shaped plug	JL04V-8A22-22SE-EB		(c) and (e)
JL04HV-2E24-10PE-B	Plug	JL04V-6A24-10SE	JL04-2028CK(14) or applicable with conduit	(d)
	Straight plug	JL04V-6A24-10SE-EB		(b) and (e)
	L-shaped plug	JL04V-8A24-10SE-EB		(c) and (e)
JL04V-2E32-17PE-B	Plug	JL04V-6A32-17SE	Applicable with conduit	(d)

(b) Straight Plugs

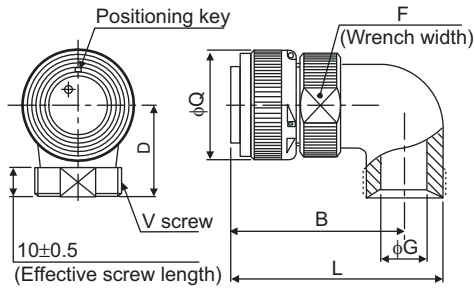


Units: mm

Model	Outer Diameter of Nut $\phi Q \pm 0.8$	$\phi B \pm 0.2$	$L \pm 0.8$	$F \pm 0.5$	$\phi G \pm 0.5$	Cable Clamp Mounting Screw V
JL04V-6A20-15SE-EB	37.3	29.72	58.5	33	17	1-3/16-18UNEF-2A
JL04V-6A22-22SE-EB	40.5	30.05	67.63	35	17	1-3/16-18UNEF-2A

Note: For the conduit grounding, contact manufacturer of the conduit being used.

(c) L-shaped Plugs



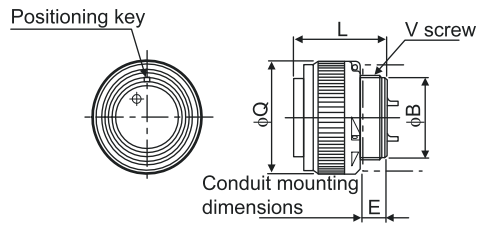
Units: mm

Model	Outer Diameter of Nut $\phi Q \begin{smallmatrix} +0 \\ -0.38 \end{smallmatrix}$	$B \pm 0.8$	$L \pm 0.8$	$D \pm 0.8$	$F \pm 0.5$	$\phi G \pm 0.5$	Cable Clamp Mounting Screw V
JL04V-8A20-15SE-EB	37.3	60.5	74.2	32	33	17	1-3/16-18UNEF-2A
JL04V-8A22-22SE-EB	40.5	60.23	73.93	32	35	17	1-3/16-18UNEF-2A

Note: For the conduit grounding, contact manufacturer of the conduit being used.

5.2.13 Connector Dimensional Drawings

(d) Plugs

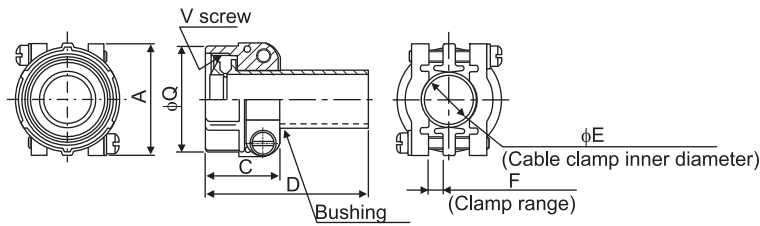


Units: mm

Model	Outer Diameter of Nut $\phi Q \pm 0.8$	$\phi B \pm 0.2$	$L \pm 0.4$	E max.	Conduit Mounting Screw V
JL04V-6A20-15SE	37.3	27.0	31.5	8	1-1/8-18UNEF-2A
JL04V-6A22-22SE	40.5	29.7	31.2	8	1-1/4-18UNEF-2A
JL04V-6A32-17SE	56.3	45.4	35.8	10	1-7/8-16UN-2A

Note: For the conduit grounding, contact manufacturer of the conduit being used.

(e) Waterproof Cable Clamps With Rubber Bushings



Units: mm

Model	Applicable Shell Size	$A \pm 0.8$	$\phi Q \pm 0.8$	$C \pm 0.8$	$D \pm 0.8$	$\phi E \pm 0.8$	$F \pm 0.8$	Mounting Screw V	Applicable Cable Range in mm
JL04-2022CK(14)	20 and 22	37.3	34.9	24.3	53.8	15.9	4	1-3/16-18UNEF-2B	$\phi 12.9$ to $\phi 15.9$
JL04-2428CK(17)	24 and 28	42.9	42.1	26.2	56.2	18	4.8	1-7/16-18UNEF-2B	$\phi 15$ to $\phi 18$

## 5.3 SERVOPACK Main Circuit Wire Size

### IMPORTANT

1. Wire sizes were selected for three cables per bundle at 40°C surrounding air temperature with the rated current.
2. Use cable with a minimum withstand voltage of 600 V for main circuits.
3. If cables are bundled in PVC or metal ducts, consider the reduction ratio of the allowable current.
4. Use heat-resistant cables under high surrounding air or panel temperatures where normal vinyl cables will rapidly deteriorate.
5. Use cables within the allowable moment of inertia.
6. Do not use cables under continuous regenerative state.

### 5.3.1 Cable Types

Cable Types		Allowable Conductor Temperature °C
Symbol	Name	
PVC	Normal vinyl cable	–
IV	600-V vinyl cable	60
HIV	Temperature-resistant vinyl cable	75

The following table shows the wire size and allowable current for three cables. Use a cable whose specifications meet or are less than the values in the table.

- 600-V Heat-resistant Vinyl Cables (HIV)

AWG Size	Nominal Cross Section Diameter mm <sup>2</sup>	Configuration Number of wires/mm <sup>2</sup>	Conductive Resistance Ω/km	Allowable Current at Surrounding Air Temperature A		
				30°C	40°C	50°C
20	0.5	19/0.18	39.5	6.6	5.6	4.5
–	0.75	30/0.18	26.0	8.8	7.0	5.5
18	0.9	37/0.18	24.4	9.0	7.7	6.0
16	1.25	50/0.18	15.6	12.0	11.0	8.5
14	2.0	7/0.6	9.53	23	20	16
12	3.5	7/0.8	5.41	33	29	24
10	5.5	7/1.0	3.47	43	38	31
8	8.0	7/1.2	2.41	55	49	40
6	14.0	7/1.6	1.35	79	70	57
4	22.0	7/2.0	0.85	91	81	66

Note: The values in the table are only for reference.

### 5.3.2 Single-phase 100 V

External Terminal Name	Terminal Symbol	SERVOPACK Model SGDM-			
		A3BD A3BDA	A5BD A5BDA	01BD 01BDA	02BD 02BDA
Main circuit power supply input terminals	L1, L2	HIV1.25			HIV2.0
Servomotor connection terminals	U, V, W	HIV1.25			
Control power supply input terminals	L1C, L2C	HIV1.25			
External regenerative resistor connection terminals	B1, B2	HIV1.25			
Ground terminal	⊕	HIV2.0 or more			

[www.nicsanat.com](http://www.nicsanat.com)

021-87700210





## 5.3.3 Single-phase 200 V

External Terminal Name	Terminal Symbol	SERVOPACK Model SGDM-				
		A3AD A3ADA	A5AD A5ADA	01AD 01ADA	02AD 02ADA	04AD 04ADA
Main circuit power supply input terminals	L1, L2	HIV1.25				HIV2.0
Servomotor connection terminals	U, V, W	HIV1.25				
Control power supply input terminals	L1C, L2C	HIV1.25				
External regenerative resistor connection terminals	B1, B2	HIV1.25				
Ground terminal	⊕	HIV2.0 or more				

## 5.3.4 Three-phase 200 V

External Terminal Name	Terminal Symbol	SERVOPACK Model SGDM-					
		A5AD A5ADA	08AD A8ADA	10AD 10ADA	15AD 15ADA	20AD 20ADA	30AD 30ADA
Main circuit power supply input terminals	L1, L2, L3	HIV2.0			HIV3.5		
Servomotor connection terminals	U, V, W	HIV2.0			HIV3.5	HIV5.5	
Control power supply input terminals	L1C, L2C	HIV1.25					
External regenerative resistor connection terminals	B1, B2	HIV1.25			HIV2.0	HIV3.5	
Ground terminal	⊕	HIV2.0 or more					

External Terminal Name	Terminal Symbol	SERVOPACK Model SGDM-				
		50ADA	60ADA	75ADA	1AADA	1EADA
Main circuit power supply input terminals	L1, L2, L3	HIV5.5	HIV8	HIV14	HIV22	
Servomotor connection terminals	U, V, W	HIV8	HIV14		HIV22	
Control power supply input terminals	L1C, L2C	HIV1.25				
External regenerative resistor connection terminals	B1, B2	HIV5.5	HIV8.0		HIV22	
Ground terminal	⊕	HIV2.0 or more				

## 5.4 Encoder Cables for CN2 Connector

When assembling the encoder cable, refer to 5.5 *Connectors and Cables for Encoder Signals*.

Contact Yaskawa Controls Co., Ltd. for IP67 applicable cables, flexible cables and connectors.

### 5.4.1 Encoder Cable With Connectors on Both Ends for SGMAH and SGMPH Servomotors

Cable Type	Cable Length (L)	Dimensional Drawing
JZSP-CMP00-03	3 m	<p>SERVOPACK end      Encoder end</p> <p>Finished dimension</p> <p><math>\phi 6.5</math> mm</p> <p>Crimped connector (Molex Japan Co., Ltd.)      Soldered socket connector (Molex Japan Co., Ltd.)</p>
JZSP-CMP00-05	5 m	
JZSP-CMP00-10	10 m	
JZSP-CMP00-15	15 m	
JZSP-CMP00-20	20 m	

### 5.4.2 Encoder Cable With Connectors on Both Ends for SGMGH, SGMSH, and SGMDH Servomotors

#### (1) Cable With a SERVOPACK Connector and Encoder Straight Plug

Cable Type	Cable Length (L)	Dimensional Drawing
JZSP-CMP01-03	3 m	<p>SERVOPACK end      Encoder end</p> <p>Finished dimension</p> <p><math>\phi 6.5</math> mm</p> <p>Crimped connector (Molex Japan Co., Ltd.)      MS3106B20 - 29S (DDK Ltd.) MS3057 - 12A Cable clamp</p>
JZSP-CMP01-05	5 m	
JZSP-CMP01-10	10 m	
JZSP-CMP01-15	15 m	
JZSP-CMP01-20	20 m	

#### (2) Cable With a SERVOPACK Connector and Encoder L-shaped Plug

Cable Type	Cable Length (L)	Dimensional Drawing
JZSP-CMP02-03	3 m	<p>SERVOPACK end      Encoder end</p> <p>Finished dimension</p> <p><math>\phi 6.5</math> mm</p> <p>Crimped connector (Molex Japan Co., Ltd.)      MS3108B20 - 29S (DDK Ltd.) MS3057 - 12A Cable clamp</p>
JZSP-CMP02-05	5 m	
JZSP-CMP02-10	10 m	
JZSP-CMP02-15	15 m	
JZSP-CMP02-20	20 m	

### 5.4.3 Cable with Loose Wire at Encoder End for SGMAH and SGMPH Servomotors

#### (1) Cable Type

Cable Type	Cable Length (L)	Dimensional Drawing
JZSP-CMP03-03	3 m	
JZSP-CMP03-05	5 m	
JZSP-CMP03-10	10 m	
JZSP-CMP03-15	15 m	
JZSP-CMP03-20	20 m	

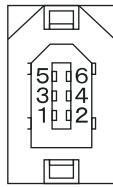
#### (2) Encoder-end Connector Kit

Type	Manufacturer
JZSP-CMP9-2	Molex Japan Co., Ltd.

Socket (Soldered)



#### (3) Encoder Plug Connector Pin Arrangement



Plug:  
JZSP-CMP9-1 (SERVOPACK end)  
Socket:  
JZSP-CMP9-2 (Encoder end)

##### 16-bit Serial Absolute Encoder Connection Specifications

Pin No.	Signal	Wire Marker	Lead Color
1	PG5V	1	Red
2	PG0V	2	Black
3	BAT(+)	3	Orange
4	BAT(-)	4	White/ orange
5	PS	5	Light blue
6	/PS	6	White/light blue

##### 13-bit Serial Incremental Encoder Connection Specifications

Pin No.	Signal	Wire Marker	Lead Color
1	PG5V	1	Red
2	PG0V	2	Black
3	-	3	-
4	-	4	-
5	PS	5	Light blue
6	/PS	6	White/light blue

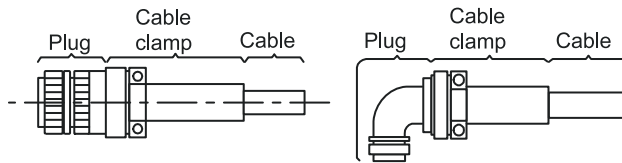
## 5.4.4 Cable with Loose Wire at Encoder End for SGMGH, SGMSh, and SGMdH Servomotors

### (1) Cable Type

Cable Type	Cable Length (L)	Dimensional Drawing
JZSP-CMP03-03	3 m	
JZSP-CMP03-05	5 m	
JZSP-CMP03-10	10 m	
JZSP-CMP03-15	15 m	
JZSP-CMP03-20	20 m	

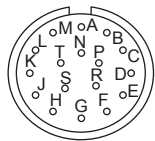
### (2) Encoder-end Connector

Contact Yaskawa Controls Co., Ltd.



Connector on Servomotor	Plug (Manufactured by DDK Ltd.)		Cable Clamp (Manufactured by DDK Ltd.)
	Type	Model	
MS3102A20-29P	Straight	MS3106B20-29S	MS3057-12A
	L-shaped	MS3108B20-29S	

## (3) Encoder Plug Connector Pin Arrangement



17-bit Absolute Encoder Connection Specifications

Pin No.	Signal	Wire Marker	Lead Color
A	–	–	–
B	–	–	–
C	PS	5	Light blue
D	/PS	6	White/light blue
E	–	–	–
F	–	–	–
G	PG0V	2	Black
H	PG5V	1	Red
J	FG (Frame Ground) Shield wire		
K	–	–	–
L	–	–	–
M	–	–	–
N	–	–	–
P	–	–	–
R	–	–	–
S	BAT(–)	4	White/orange
T	BAT(+)	3	Orange

17-bit Incremental Encoder Connection Specifications

Pin No.	Signal	Wire Marker	Lead Color
A	–	–	–
B	–	–	–
C	PS	5	Light blue
D	/PS	6	White/light blue
E	–	–	–
F	–	–	–
G	PG0V	2	Black
H	PG5V	1	Red
J	FG (Frame Ground) Shield wire		
K	–	–	–
L	–	–	–
M	–	–	–
N	–	–	–
P	–	–	–
R	–	–	–
S	–	–	–
T	–	–	–

### 5.4.5 Encoder Flexible Cables for SGMAH and SGMPH Servomotors

#### (1) Flexible Cable With Connectors on Both Ends

Cable Type	Cable Length (L)	Dimensional Drawing
JZSP-CMP10-03	3 m	
JZSP-CMP10-05	5 m	
JZSP-CMP10-10	10 m	
JZSP-CMP10-15	15 m	
JZSP-CMP10-20	20 m	

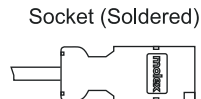
#### (2) Flexible Cable With Loose Wire at Encoder End

##### (a) Cable Type

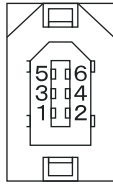
Cable Type	Cable Length (L)	Dimensional Drawing
JZSP-CMP13-03	3 m	
JZSP-CMP13-05	5 m	
JZSP-CMP13-10	10 m	
JZSP-CMP13-15	15 m	
JZSP-CMP13-20	20 m	

##### (b) Encoder-end Connector Kit

Type	Manufacturer
JZSP-CMP9-2	Molex Japan Co., Ltd.



## (c) Encoder Plug Connector Pin Arrangement



Plug:

JZSP-CMP9-1 (SERVOPACK end)

Socket:

JZSP-CMP9-2 (Encoder end)

## 16-bit Serial Absolute Encoder Connection Specifications

Pin No.	Signal	Wire Marker	Lead Color
1	PG5V	1	Orange
2	PG0V	2	Green
3	BAT(+)	3	Red/pink
4	BAT(-)	4	Black/pink
5	PS	5	Red/ light blue
6	/PS	6	Black/ light blue

## 13-bit Serial Incremental Encoder Connection Specifications

Pin No.	Signal	Wire Marker	Lead Color
1	PG5V	1	Orange
2	PG0V	2	Green
3	-	3	-
4	-	4	-
5	PS	5	Red/ light blue
6	/PS	6	Black/ light blue

### 5.4.6 Encoder Flexible Cables for SGMGH, SGMSH, and SGMDH Servomotors

#### (1) Flexible Cable With a SERVOPACK Connector and Encoder Straight Plug

Cable Type	Cable Length (L)	Dimensional Drawing
JZSP-CMP11-03	3 m	
JZSP-CMP11-05	5 m	
JZSP-CMP11-10	10 m	
JZSP-CMP11-15	15 m	
JZSP-CMP11-20	20 m	

#### (2) Flexible Cable With a SERVOPACK Connector and Encoder L-shaped Plug

Cable Type	Cable Length (L)	Dimensional Drawing
JZSP-CMP12-03	3 m	
JZSP-CMP12-05	5 m	
JZSP-CMP12-10	10 m	
JZSP-CMP12-15	15 m	
JZSP-CMP12-20	20 m	

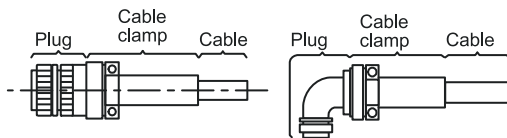
#### (3) Flexible Cable With Loose Wire at Encoder End

##### (a) Cable Type

Cable Type	Cable Length (L)	Dimensional Drawing
JZSP-CMP13-03	3 m	
JZSP-CMP13-05	5 m	
JZSP-CMP13-10	10 m	
JZSP-CMP13-15	15 m	
JZSP-CMP13-20	20 m	

##### (b) Encoder-end Connector

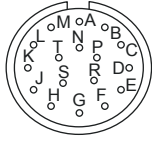
Contact Yaskawa Controls Co., Ltd.



Connector on Servomotor	Plug (Manufactured by DDK Ltd.)		Cable Clamp (Manufactured by DDK Ltd.)
	Type	Model	
MS3102A20-29P	Straight	MS3106B20-29S	MS3057-12A
	L-shaped	MS3108B20-29S	



## (c) Encoder Plug Connector Pin Arrangement



17-bit Absolute Encoder Connection Specifications

Pin No.	Signal	Wire Marker	Lead Color
A	–	–	–
B	–	–	–
C	PS	5	Red/light blue
D	/PS	6	Black/light blue
E	–	–	–
F	–	–	–
G	PG0V	2	Green
H	PG5V	1	Orange
J	FG (Frame Ground) Shield wire		
K	–	–	–
L	–	–	–
M	–	–	–
N	–	–	–
P	–	–	–
R	–	–	–
S	BAT(–)	4	Black/pink
T	BAT(+)	3	Red/pink

17-bit Incremental Encoder Connection Specifications

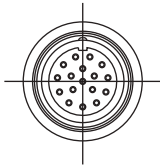
Pin No.	Signal	Wire Marker	Lead Color
A	–	–	–
B	–	–	–
C	PS	5	Red/light blue
D	/PS	6	Black/light blue
E	–	–	–
F	–	–	–
G	PG0V	2	Green
H	PG5V	1	Orange
J	FG (Frame Ground) Shield wire		
K	–	–	–
L	–	–	–
M	–	–	–
N	–	–	–
P	–	–	–
R	–	–	–
S	–	–	–
T	–	–	–

### 5.4.7 Encoder Cable With a Waterproof Connector for SGMAH and SGMPH Servomotors

#### (1) Cable Type

Cable Type	Length (L)	Dimensional Drawing
DP9325256-1	3 m	<p>SERVOPACK end</p> <p>Servomotor end</p> <p>Finished dimension L</p> <p>φ6.5 mm</p> <p>Soldered connector (Molex Japan Co., Ltd.)</p> <p>Crimped connector (Interconnectron GmbH)</p>
DP9325256-2	5 m	
DP9325256-3	10 m	
DP9325256-4	15 m	
DP9325256-5	20 m	

#### (2) Connector Pin Arrangement



Pin No.	Signal	Lead Color	Pin No.	Signal	Lead Color
1	BAT(-)	Orange/white	10	-	-
2	BAT(+)	Orange	11	-	-
3	PS	Light blue	12	-	-
4	/PS	Light blue/white	13	-	-
5	-	-	14	-	-
6	-	-	15	-	-
7	-	-	16	-	-
8	PG5V	Red	17	-	-
9	PG0V	Black			
Shell	FG (Frame Ground Shield Wire)				

### 5.4.8 Encoder Cables for SGMCS Servomotors

If you use cables with loose leads or manufacture the cables, connect the shield wire of the encoder cable to the connector frame ground.

#### (1) Cable with Connectors on Both Ends for Applicable Flange 1, 3

For applicable flanges, refer to 2.1.7 Model SGMCS.

##### (a) Cable Type

Standard Type	Flexible Type	Length (L)	Dimensional Drawing
JZSP-CMP60-03	JZSP-CSP60-03	3 m	
JZSP-CMP60-05	JZSP-CSP60-05	5 m	
JZSP-CMP60-10	JZSP-CSP60-10	10 m	
JZSP-CMP60-15	JZSP-CSP60-15	15 m	
JZSP-CMP60-20	JZSP-CSP60-20	20 m	

##### (b) Wiring Specifications

###### • Standard Type

SERVOPACK end		Servomotor end	
Pin No.	Signal	Pin No.	Lead Color
1	PG5V	4	Red
2	PG0V	9	Black
5	PS	1	Light blue
6	/PS	2	Light blue/white
Shell	FG	7	FG Shield

###### • Flexible Type

SERVOPACK end		Encoder (Servomotor) end	
Pin No.	Signal	Pin No.	Lead Color
1	PG 5V	4	Orange
2	PG 0V	9	Green
5	PS	1	Black/light blue
6	/PS	2	Red/light blue
Shell	FG	7	FG Shield wire

Note: Be sure to connect the shield wire of encoder cable to the connector case (shell).

#### (2) Cable with Connectors on Both Ends for Applicable Flange 4

For applicable flanges, refer to 2.1.7 Model SGMCS.

##### (a) Cable Type

Standard Type	Flexible Type	Length (L)	Dimensional Drawing
JZSP-CMP00-03	JZSP-CMP10-03	3 m	
JZSP-CMP00-05	JZSP-CMP10-05	5 m	
JZSP-CMP00-10	JZSP-CMP10-10	10 m	
JZSP-CMP00-15	JZSP-CMP10-15	15 m	
JZSP-CMP00-20	JZSP-CMP10-20	20 m	

##### (b) Wiring Specifications

###### • Standard Type

SERVOPACK end		Encoder (Servomotor end)	
Pin No.	Signal	Pin No.	Lead Color
1	PG 5V	1	Red
2	PG 0V	2	Black
5	PS	5	Light blue
6	/PS	6	Light blue/white
Shell	FG	Shell	FG Shield wire

###### • Flexible Type

SERVOPACK end		Encoder (Servomotor end)	
Pin No.	Signal	Pin No.	Lead Color
1	PG 5V	1	Orange
2	PG 0V	2	Green
5	PS	5	Black/light blue
6	/PS	6	Red/light blue
Shell	FG	Shell	FG Shield wire

Note: Be sure to connect the shield wire of encoder cable to the connector case (shell).

(3) Cable with Loose Wire at Encoder End

(a) Cable Type

Standard Type	Flexible Type	Length (L)	Dimensional Drawing
JZSP-CMP03-03	JZSP-CMP13-03	3 m	
JZSP-CMP03-05	JZSP-CMP13-05	5 m	
JZSP-CMP03-10	JZSP-CMP13-10	10 m	
JZSP-CMP03-15	JZSP-CMP13-15	15 m	
JZSP-CMP03-20	JZSP-CMP13-20	20 m	

(b) Wiring Specifications

• Standard Type

SERVOPACK end		Encoder (Servomotor) end	
Pin No.	Signal	Lead Color	Marker
6	/PS	Light blue/white	6
5	PS	Light blue	5
4	BAT(-)	White/orange	4
3	BAT(+)	Orange	3
2	PG0V	Black	2
1	PG5V	Red	1
Shell	FG		

Shield wire

• Flexible Type

SERVOPACK end		Encoder (Servomotor) end	
Pin No.	Signal	Lead Color	Marker
6	/PS	Black/light blue	6
5	PS	Red/light blue	5
4	BAT(-)	Black/pink	4
3	BAT(+)	Red/pink	3
2	PG 0V	Green	2
1	PG 5V	Orange	1
Shell	FG		

Shield wire

Note: 1. The signals BAT(+) and BAT(-) do not need to be connected when using SGMCS servomotors.  
 2. Be sure to connect the shield wire of encoder cable to the connector case (shell).

## 5.5 Connectors and Cables for Encoder Signals

The IP67 applicable cables, flexible cables and connectors are options. Contact Yaskawa Controls Co., Ltd.

### 5.5.1 Connectors and Cables for SGMAH and SGMPH Servomotors

#### (1) Cable Type



Cables for Maximum 20 m  
Wiring Distance

Cable Type	Cable Length
JZSP-CMP09-05	5 m
JZSP-CMP09-10	10 m
JZSP-CMP09-15	15 m
JZSP-CMP09-20	20 m

Cables for Maximum 50 m  
Wiring Distance

Cable Type	Cable Length
JZSP-CMP19-30	30 m
JZSP-CMP19-40	40 m
JZSP-CMP19-50	50 m

#### (2) SERVOPACK-end Connector for CN2

Units: mm

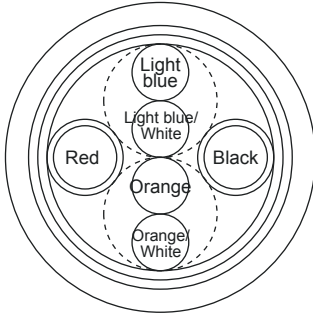
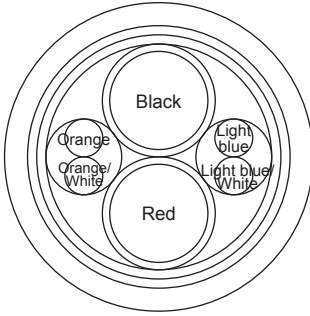
Model	Manufacturer	Dimensional Drawing
JZSP-CMP9-1	Molex Japan Co., Ltd.	Plug connector (Soldered) 

#### (3) Encoder-end Connector

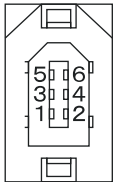
Units: mm

Model	Manufacturer	Dimensional Drawing
JZSP-CMP9-2	Molex Japan Co., Ltd.	Socket (Soldered) 

(4) Encoder Cable Specifications

Cable Type	JZSP-CMP09-□□	JZSP-CMP19-□□
Cable Length	20 m max.	50 m max.
Basic Specifications	T/20276-SB AWG22×2C+AWG24×2P	T/20276-SB AWG16×2C+AWG26×2P
Finished Dimensions	φ6.5 mm	φ6.8 mm
Internal Configuration and Lead Colors		
Yaskawa Standard Specifications (Standard Length)	5 m, 10 m, 15 m, 20 m	30 m, 40 m, 50 m

(5) Encoder Plug Connector Pin Arrangement



Plug:  
JZSP-CMP9-1 (SERVOPACK end)  
Socket:  
JZSP-CMP9-2 (Encoder end)

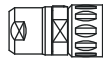
16-bit Serial Absolute Encoder Connection Specifications

Pin No.	Signal	Lead Color
1	PG5V	Red
2	PG0V	Black
3	BAT(+)	Orange
4	BAT(-)	White/Orange
5	PS	Light blue
6	/PS	White/Light blue

13-bit Serial Incremental Encoder Connection Specifications

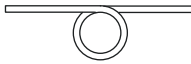
Pin No.	Signal	Lead Color
1	PG5V	Red
2	PG0V	Black
3	-	-
4	-	-
5	PS	Light blue
6	/PS	White/Light blue

(6) Encoder-end Waterproof Connector

	Model	Manufacturer	Drawing
Plug	SPOC17HFRON169	Interconnectron GmbH	
Socket	020.256.1020 Crimped type		

## 5.5.2 Connectors and Cables for SGMGH, SGMSh, and SGMdH Servomotors

## (1) Cable Type


Cables for Maximum 20 m  
Wiring Distance

Cable Type	Cable Length
JZSP-CMP09-05	5 m
JZSP-CMP09-10	10 m
JZSP-CMP09-15	15 m
JZSP-CMP09-20	20 m

Cables for Maximum 50 m  
Wiring Distance

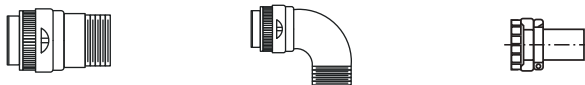
Cable Type	Cable Length
JZSP-CMP19-30	30 m
JZSP-CMP19-40	40 m
JZSP-CMP19-50	50 m

## (2) SERVOPACK-end Connector for CN2

Model	Manufacturer	Drawing
JZSP-CMP9-1	Molex Japan Co., Ltd.	Plug connector (Soldered) 

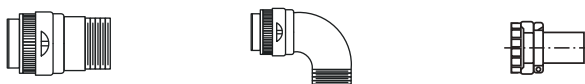
## (3) Encoder-end Connector

## (a) Connector for the Standard Environments



Connector on Servomotor	Encoder-end Connector Type		
	Straight Plug	L-shaped Plug	Cable Clamp
MS3102A20-29P	MS3106B20-29S	MS3108B20-29S	MS3057-12A

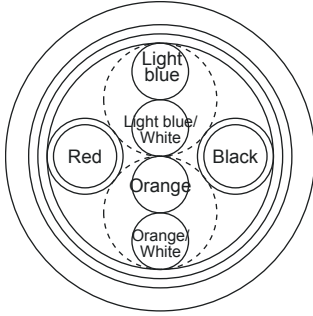
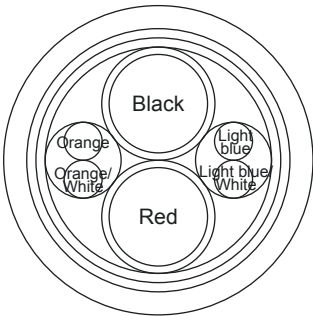
## (b) IP67 Applicable Connector



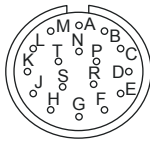
Connector on Servomotor	Encoder-end Connector Type			
	Straight Plug	L-shaped Plug	Cable Clamp	Applicable Cable Range in mm
97F3102E20-29P	JA06A-20-29S -J1-EB *	JA08A-20-29S -J1-EB *	JL04-2022CKE(09) *	φ6.5 to φ9.5
			JL04-2022CKE(12) *	φ9.5 to φ13
			JL04-2022CKE(14) *	φ12.9 to φ15.9

\* Manufactured by Japan Aviation Electronics Industry, Ltd.

(4) Encoder Cable Specifications

Cable Type	JZSP-CMP09-□□	JZSP-CMP19-□□
Cable Length	20 m max.	50 m max.
Basic Specifications	T/20276-SB AWG22 × 2C+AWG24 × 2P	T/20276-SB AWG16 × 2C+AWG26 × 2P
Finished Dimension	φ6.5 mm	φ6.8 mm
Internal Configuration and Lead Colors		
Yaskawa Standard Specifications (Standard Length)	5 m, 10 m, 15 m, 20 m	30 m, 40 m, 50 m

(5) Encoder Plug Connector Pin Arrangement



17-bit Absolute Encoder Connection Specifications

Pin No.	Signal	Lead Color	Pin No.	Signal	Lead Color
A	-	-	K	-	-
B	-	-	L	-	-
C	PS	Light blue	M	-	-
D	/PS	White/ Light blue	N	-	-
E	-	-	P	-	-
F	-	-	R	-	-
G	PG0V	Black	S	BAT(-)	White/ Orange
H	PG5V	Red	T	BAT(+)	Orange
J	FG (Frame Ground) Shield wire				

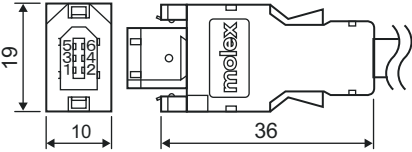
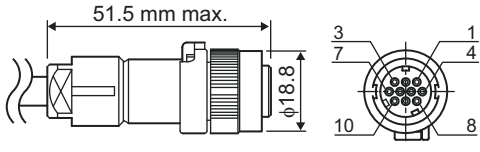
17-bit Incremental Encoder Connection Specifications

Pin No.	Signal	Lead Color	Pin No.	Signal	Lead Color
A	-	-	K	-	-
B	-	-	L	-	-
C	PS	Light blue	M	-	-
D	/PS	White/ Light blue	N	-	-
E	-	-	P	-	-
F	-	-	R	-	-
G	PG0V	Black	S	-	-
H	PG5V	Red	T	-	-
J	FG (Frame Ground) Shield wire				



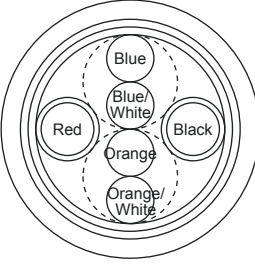
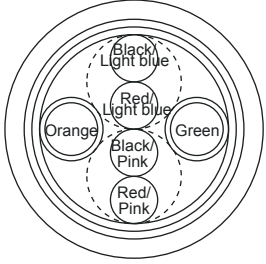
## 5.5.3 Connectors and Cables for SGMCS Servomotors

## (1) Encoder Cable Connector Specifications

Items	SERVOPACK end	Servomotor end
Manufacturer	Molex Japan Co., Ltd.	Japan Aviation Electronics Industry, Ltd.
Connector Type	55100-0600 (Soldered type) or 55102-0600 (Caulking type) 55100-0600 (Soldered) when using a connector kit	Straight plug JN1DS10SL1 (Caulking type) Socket plug JN1-22-22S-PKG100 Applicable cable outer diameter in mm: $\phi 5.7$ to $\phi 7.3$ Applicable wire size: AWG21 to 25 Outer diameter of insulating sheath: 0.8 to 1.5 mm Caulking tool (Hand Tool) model: CT150-2-JN
Appearance		
Arranged Model	JZSP-CMP9-1	Order them from Japan Aviation Electronics Industry, Ltd.

Note: The mating connector type on servomotor: JN1AS10FL1

## (2) Cable Specifications for SGMCS Servomotors

Items	Standard Cable	Flexible Cable
Cable Type *	JZSP-CMP09-□□	JZSP-CSP39-□□
Cable Length	20 m max.	
Specifications	UL20276 (Max. surrounding air temperature: 80°C) AWG22 × 2C + AWG24 × 2P AWG22 (0.33 mm <sup>2</sup> ) Outer diameter of insulating sheath: $\phi 1.15$ mm AWG24 (0.20 mm <sup>2</sup> ) Outer diameter of insulating sheath: $\phi 1.09$ mm	UL20276 (Max. surrounding air temperature: 80°C) AWG22 × 2C + AWG24 × 2P AWG22 (0.33 mm <sup>2</sup> ) Outer diameter of insulating sheath: $\phi 1.35$ mm AWG24 (0.20 mm <sup>2</sup> ) Outer diameter of insulating sheath: $\phi 1.21$ mm
Finished Dimensions	$\phi 6.5$ mm	$\phi 6.8$
Internal Configuration and Lead Colors		
Yaskawa Standard Specifications (Standard Length)	Cable length: 5 m, 10 m, 15 m, 20 m	

\* Specify the cable length in □□ of cable type designation.  
Example: JZSP-CMP09-05 (5 m)

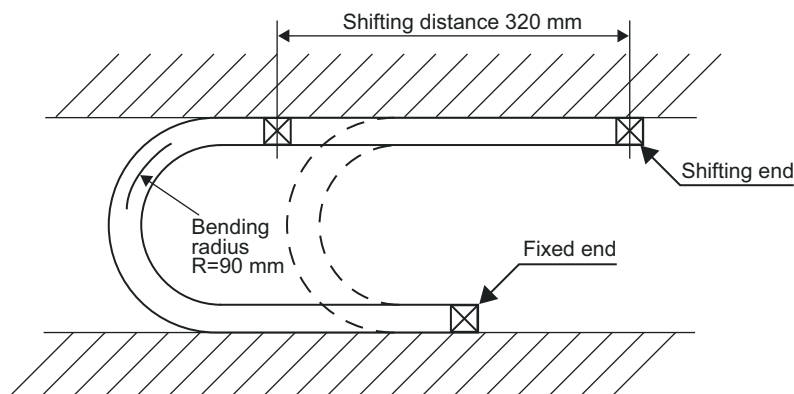
## 5.6 Flexible Cables

### (1) Life of Flexible Cable

The flexible cable supports 10,000,000 or more operations of bending life with the recommended bending radius  $R = 90$  mm under the following test conditions.

- Conditions

1. Repeat moving one end of the cable forward and backward for 320 mm with using the test equipment shown in the following.
2. Connect the lead wires in parallel, and count the number of cable return motion times until a lead wire is disconnected. Note that one reciprocating is counted as one test.



- Note:
1. The life of flexible cable differs largely depending on the amount of mechanical shocks, mounting to the cable, and fixing methods. The life of flexible cable is limited under the specified conditions.
  2. The life of flexible cable indicates the number of bending times in which lead wires are electrically conducted and by which no cracks and damages that affects the performance of cable sheathing are caused. Disconnecting the shield wire is not taken into account.

### (2) Wiring Precautions

Even if the recommended bending radius  $R$  is respected in the mechanical design, incorrect wiring may cause the early disconnection. Observe the following precautions when wiring.

#### (a) Cable twisting

Straighten the flexible cables wiring.

Twisted cables causes the early disconnection. Check the indication on the cable surface to make sure that the cable is not twisted.

#### (b) Fixing method

Do not fix the moving points of the flexible cable, or stress on the fixed points may cause early disconnection. Fix the cable at the minimum number of points.

#### (c) Cable length

If the cable length is too long, it may cause the cable's sagging. Besides the cable length is too short, it may cause the excessive tension on the fixed points that will cause the early disconnection. Use a flexible cable with the optimum length.

#### (d) Interference between cables

Avoid interference between cables.

Interference limits the motion of flexible cable, which causes early disconnection. Keep enough distance between cables, or provide a partition when wiring.

## 5.7 I/O Signal Cables for CN1 Connector

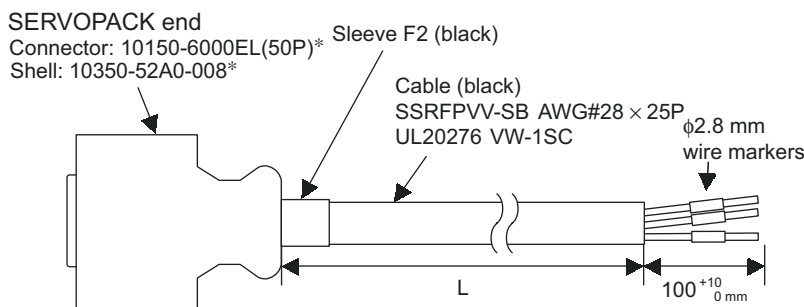
### 5.7.1 Standard Cables

For the connection diagram, refer to 5.7.3 *Connection Diagram*.

#### (1) Cable Types

Cable Type	Cable Length (L)
JZSP-CKI01-1	1 m
JZSP-CKI01-2	2 m
JZSP-CKI01-3	3 m

#### (2) Dimensional Drawing



\* Manufactured by Sumitomo 3M Ltd.

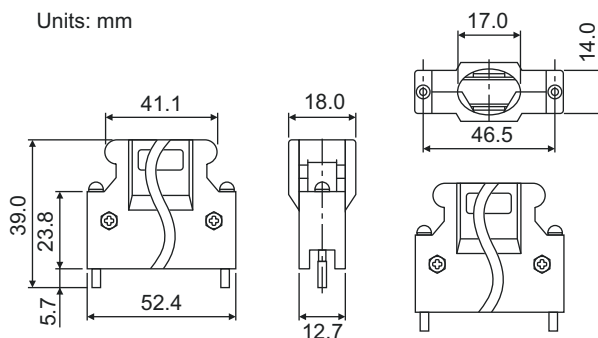
### 5.7.2 Connector Type and Cable Size

Use the following connector and wire when assembling the cable. The CN1 connector includes a set of case and a connector.

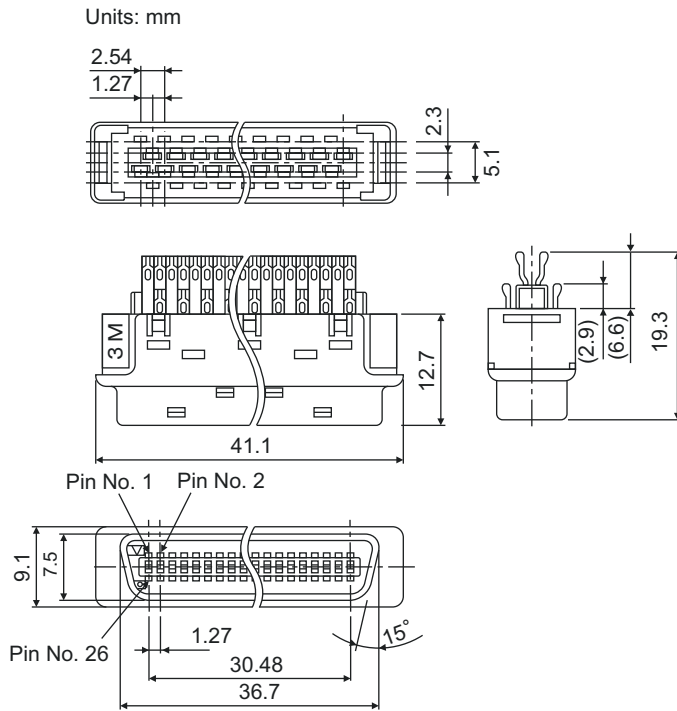
Connector Type	Case		Connector	
	Type	Qty	Type	Qty
JZSP-CKI9	10350-52A0-008*	1 set	10150-3000VE*	1

\* Manufactured by Sumitomo 3M Ltd.

#### (1) Dimensional Drawing of Case



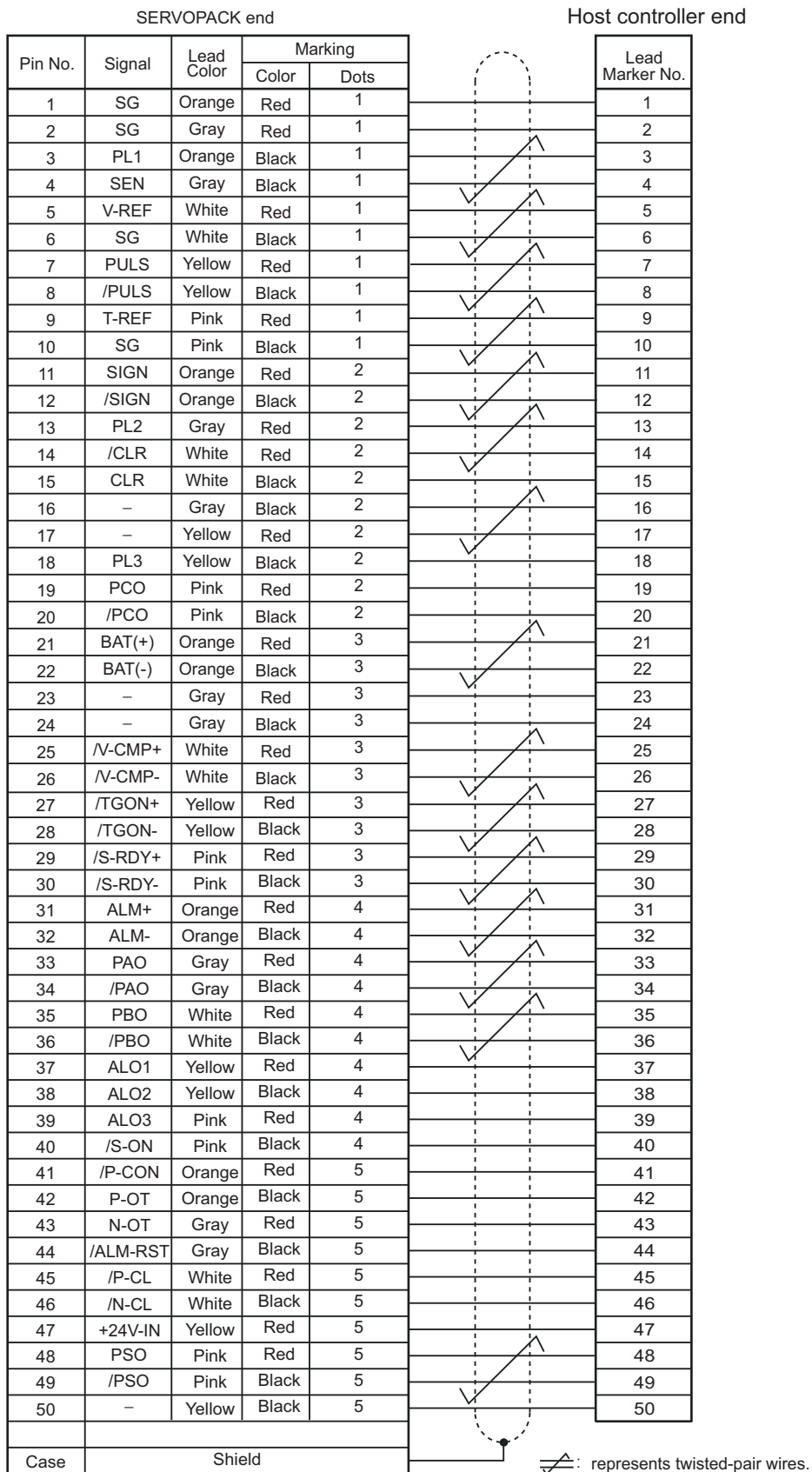
## (2) Dimensional Drawing of Connector



## (3) Cable Size

Item	Specifications
Cable	Use twisted-pair or twisted-pair shielded wire.
Applicable Wires	AWG24, 26, 28, 30
Finished Dimension	$\phi$ 16 mm or less

### 5.7.3 Connection Diagram



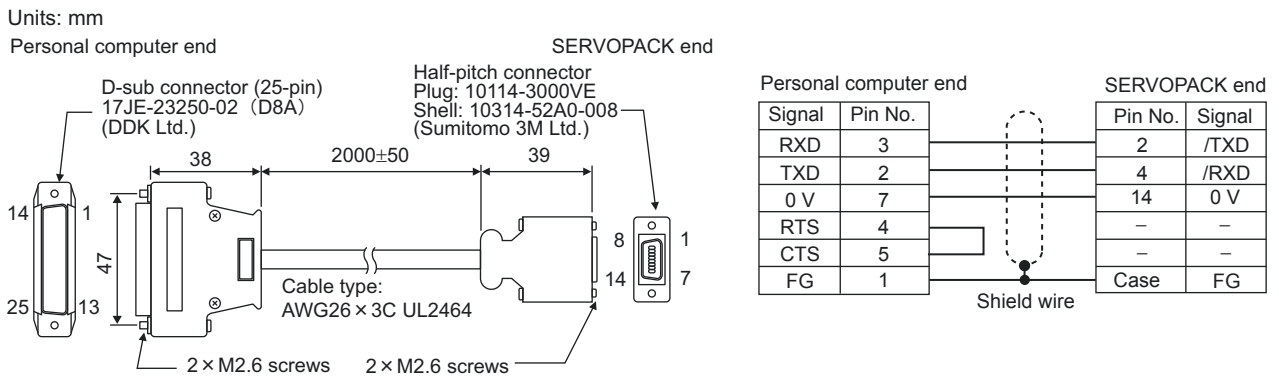
## 5.8 Peripheral Devices

### 5.8.1 Cables for Connecting Personal Computers

#### (1) For 25-pin Connector Cable for NEC PC-98 Series PC

(a) Cable Type: JZSP-CMS01

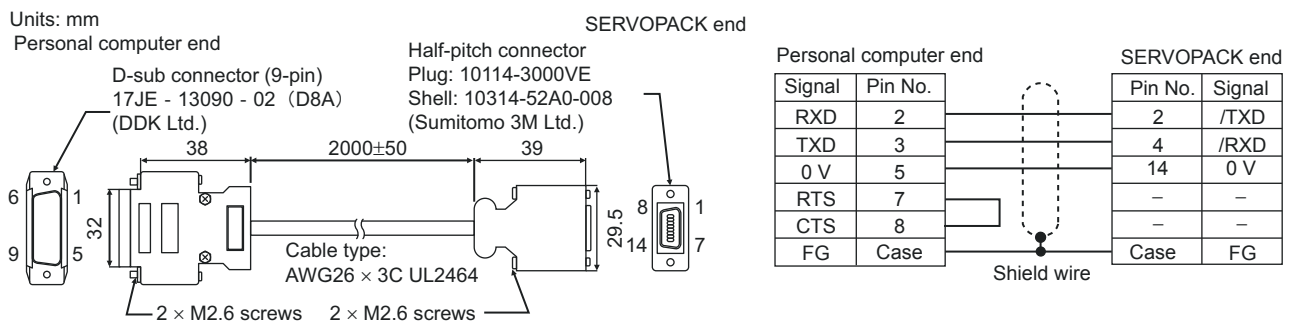
(b) Dimensional Drawing



#### (2) D-sub, 9-pin Connector Cable for IBM PC Compatible

(a) Cable Type: JZSP-CMS02

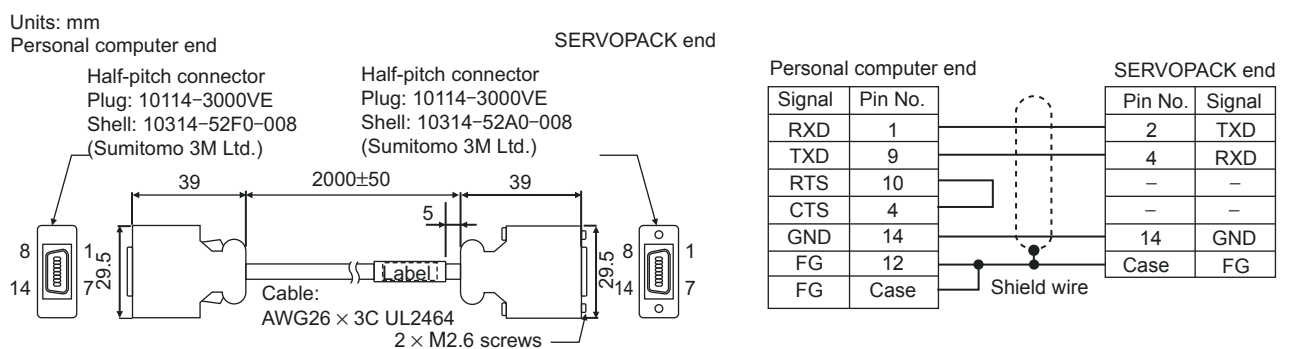
(b) Dimensional Drawing



#### (3) 14-pin Half-pitch Connector Cable for NEC PC-98 Series PC

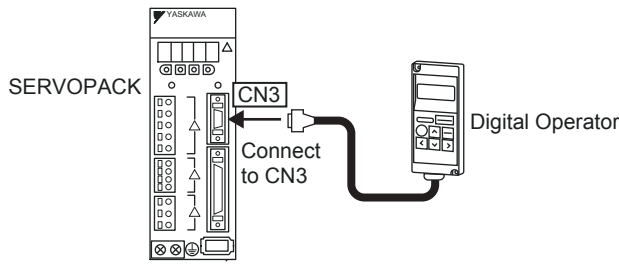
(a) Cable Type: JZSP-CMS03

(b) Dimensional Drawing

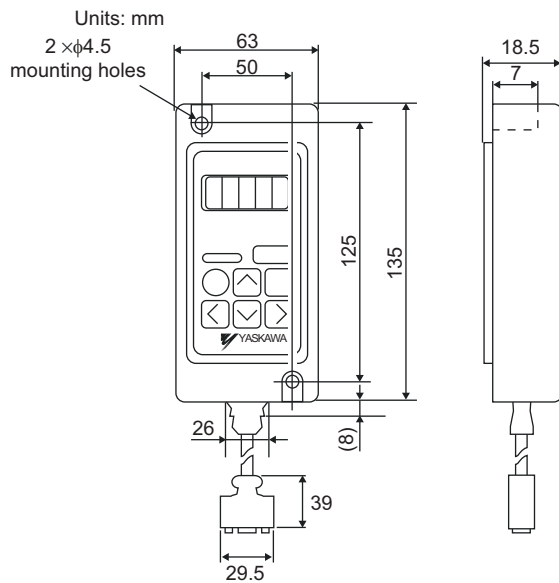


### 5.8.2 Digital Operator

#### (1) Model JUSP-OP02A-2 with a 1m-connection Cable



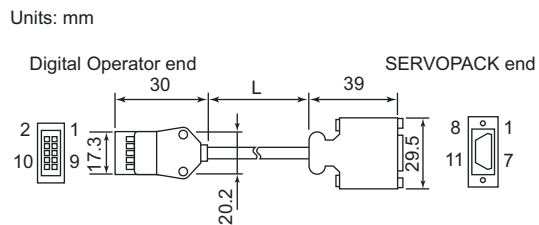
#### (2) Dimensional Drawing



#### (3) Other Types of the Applicable Connection Cables: JZSP-CMS00-□

Order your cable from Yaskawa Controls Co., Ltd. in the following cases.

- When you need a longer cable than the one supplied with the digital operator.
- When you need additional cables.
- When you use the digital operator for the  $\Sigma$ -I series (model: JUSP-OP02A-1).



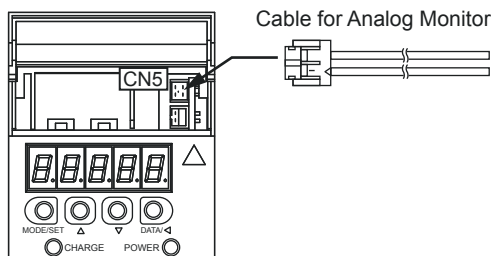
Cable Type	Cable Length (L)
JZSP-CMS00-1	1 m
JZSP-CMS00-2	1.5 m
JZSP-CMS00-3	2 m

### 5.8.3 Cables for Analog Monitor

#### (1) Cable Type: JZSP-CA01 (DE9404559)

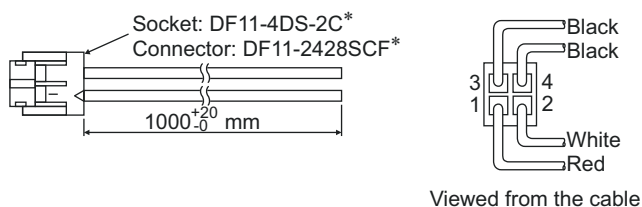
Connect the specified cables to CN5 connector for monitoring the analog monitor signals. For details, refer to *9.5 Analog Monitor*.

With the front cover open



Note: Specify the cable type either JZSP-CA01 or DE9404559 when ordering the cable for analog monitor.

#### (2) Dimensional Drawing



\* Manufactured by Hirose Electric Corporation.

#### (3) Specifications

Pin No.	Cable Color	Signal	Monitoring Item
1	Red	Analog Monitor 2	Motor speed: 1V/1000 min <sup>-1</sup>
2	White	Analog Monitor 1	Torque reference: 1V/100% rated torque
3 and 4	Black (2 cables)	GND (0 V)	—

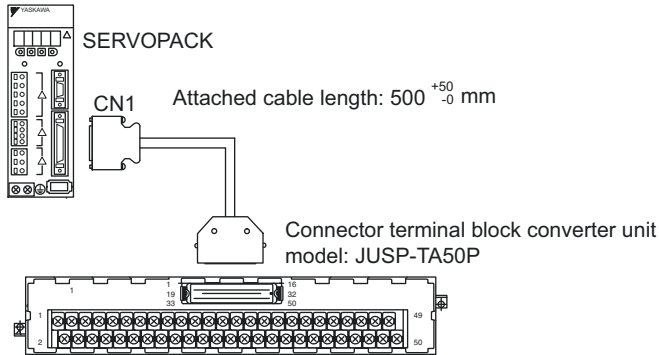
Note: The above monitoring items are the factory settings. The monitoring items can be changed by setting the parameter Pn003. Refer to *9.5 Analog Monitor*.



### 5.8.4 Connector Terminal Block Converter Unit

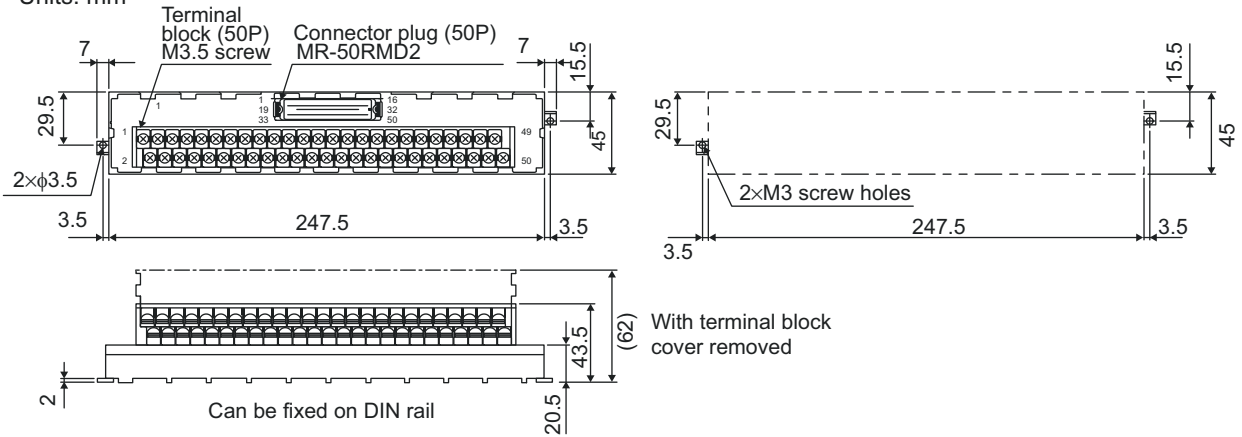
#### (1) Model: JUSP-TA50P

The connection between the connector terminal block converter and the SERVOPACK is shown below.



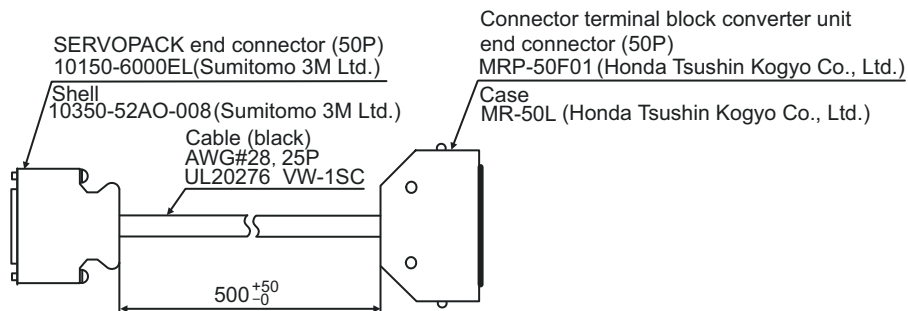
#### (2) Dimensional Drawings of Terminal Block

Units: mm



#### (3) Dimensional Drawing of Cable

Units: mm



### 5.8.5 Brake Power Supply Unit

#### (1) Model: LPSE-2H01, LPDE-1H01

Manufactured by Yaskawa Controls Co., Ltd.

- 200 V input: LPSE-2H01
- 100 V input: LPDE-1H01

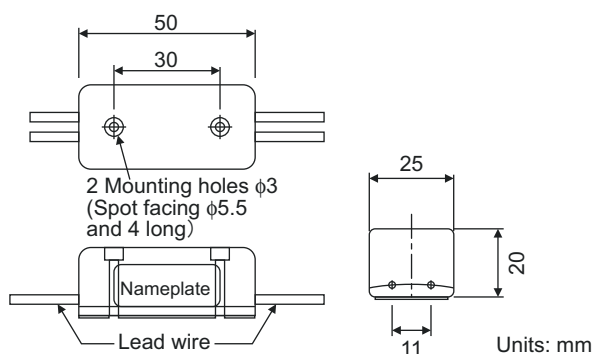
#### (2) Specifications

- Rated output voltage: 90 VDC
- Maximum output current: 1.0 ADC
- Lead wire length: 500 mm each
- Maximum surrounding air temperature: 60°C
- Lead wires: Color coded. Refer to the table below.

AC Input End		Brake End
100 V	200 V	
Blue/White	Yellow/White	Red/Black

Note: The power supply unit is for 90-VDC brakes and not for 24-VDC brakes. When using 24-VDC brakes, the power supply unit must be provided by a customer.

#### (3) Dimensional Drawing

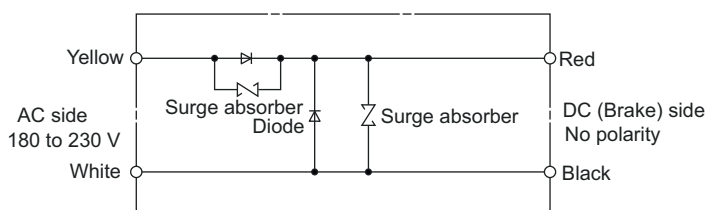


#### (4) Internal Circuits

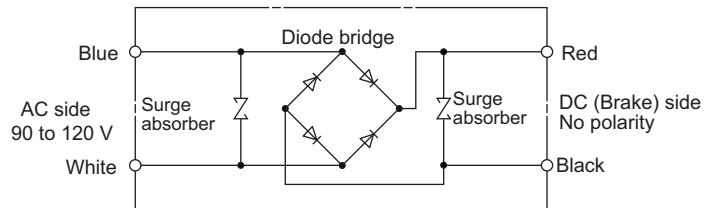
The brake power supply circuit can be opened and closed either on AC or DC side. However, if the wiring distance on DC side is too long, the brake circuit may not operate normally due to the influence of switching noises. When switching the circuit on AC side, install a surge absorber model CR50500BL for the brake power supply near the brake coil to reduce the influence of switching noises.

When switching the circuit on DC side, the influence of the switching noise is minimal, even without installing a surge absorber. However, the surge voltage at switching may damage the brake coil. Install a surge absorber near the brake coil to prevent the damage to the brake coil in addition to the built-in surge absorber.

##### (a) Internal Circuit for 200 VAC Brake Power Supply Model: LPSE-2H01



(b) Internal Circuit for 100 VAC  
Brake Power Supply Model: LPDE-1H01



■ Noise Filter for Brake Power Supply

Use the following noise filter at the brake power input for 400 W or less servomotors with holding brakes.

Model: FN2070-6/07 (Manufactured by Schaffner Electronic.)

Refer to 5.8.10 *Noise Filter* for the dimensional drawing.

### 5.8.6 External Regenerative Resistor

Regenerative resistors for SERVOPACKs are internally or externally mounted as shown in the table below. Regenerative resistors can be externally mounted on all SERVOPACKs. Connect an external regenerative resistor to the SERVOPACK if regenerative energy exceeds the capacity of the SERVOPACK. If a regenerative resistor is to be mounted externally, the jumper between B2 and B3 for the internal regenerative resistor must be removed. Refer to 6.5 *Connecting Regenerative Resistors* for the selection. No built-in regenerative resistor is provided to 6 kW or more SERVOPACKs. Be sure to prepare the externally mounted regenerative resistor.

The following table shows examples of regenerative resistors.

Applicable SERVOPACK SGDM-		Specifications for a Regenerative Resistor Mounted in a SERVOPACK		Min. Allowable Resistance ( $\Omega$ )
		Resistance ( $\Omega$ )	Capacity (W)	
Single-phase 100 V	A3BD, A3BDA	-	-	40
	A5BD, A5BDA			
	01BD, 01BDA			
	02BD, 02BDA			
Single-phase 200 V	A3AD, A3ADA	-	-	40
	A5AD, A5ADA			
	01AD, 01ADA			
	02AD, 02ADA			
	04AD, 04ADA			
Three-phase 200 V	05AD, 05ADA	50	60	40
	08AD, 08ADA			
	10AD, 10ADA			
	15AD, 15ADA	30	70	20
	20AD, 20ADA	25	140	12
	30AD, 30ADA	12.5	140	12
	50ADA	8	280	8
	60ADA	(6.25) <sup>*1</sup>	(880) <sup>*1</sup>	5.8
	75ADA	(3.13) <sup>*2</sup>	(1760) <sup>*2</sup>	2.9
	1AADA			
1EADA				

\* 1. The values in parentheses are for the optional JUSP-RA04 Regenerative Resistor Unit.

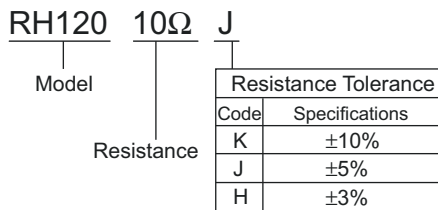
\* 2. The values in parentheses are for the optional JUSP-RA05 Regenerative Resistor Unit.

The external regenerative resistor must be purchased by customers. Refer to the table below for selecting an external regenerative resistor. Refer to 6.5 *Connecting Regenerative Resistors* for the connection.

### (1) References for External Regenerative Resistor

Regenerative Resistor Model	Specifications	Manufacturer
RH120	70 W, 1 to 100 $\Omega$	Iwaki Wireless Research Institute.
RH150	90 W, 1 to 100 $\Omega$	
RH220	120 W, 1 to 100 $\Omega$	
RH300C	200 W, 1 to 10 k $\Omega$	
RH500	300 W, 1 to 30 $\Omega$	

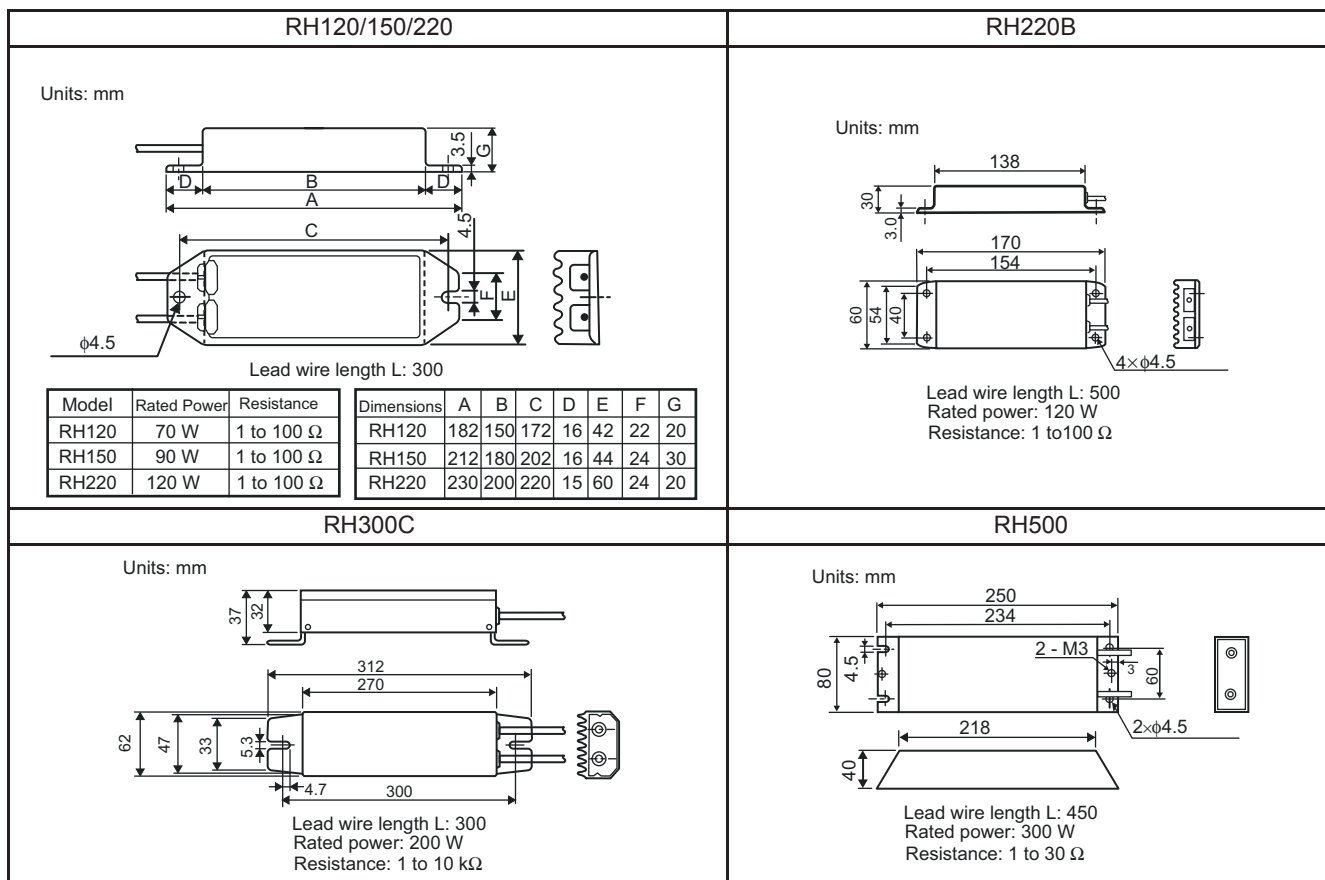
### (2) Model Designation



### (3) Specifications

Resistance Tolerance	K: $\pm 10\%$ , J: $\pm 5\%$ , H: $\pm 3\%$
Temperature Resistance Characteristics	$\pm 400$ PPM / $^{\circ}\text{C}$ (less than 20 $\Omega$ ) , $\pm 260$ PPM / $^{\circ}\text{C}$ (20 $\Omega$ or more)
Withstand Voltage	2000 VAC/min. $\Delta R$ : $\pm (0.1\% + 0.05\Omega)$
Insulation Resistance	500 VDC, 20 M $\Omega$ or more
Short-time Overload	When 10 times of rated power is applied for five seconds, $\Delta R$ : $\pm (2\% + 0.05\Omega)$
Life	1000 hours of repeating the operation ON for 90 minutes and OFF for 30 minutes, $\Delta R$ : $\pm (5\% + 0.05\Omega)$
Heat Resistance	Not ignite after having applied 10 times of rated electric power for one minute
Surrounding Air Temperature	-25 to 150 $^{\circ}\text{C}$

(4) Dimensional Drawings



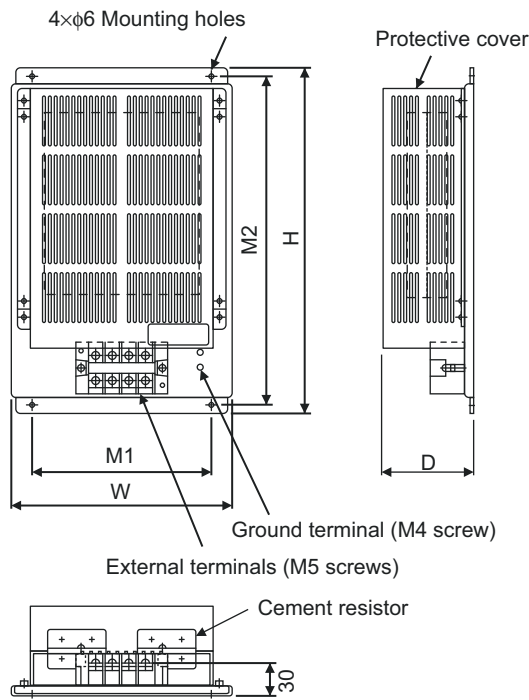
## 5.8.7 Regenerative Resistor Unit

### (1) Models

The SERVOPACKs with a capacity of 6.0 kW or more do not have a built-in regenerative resistor. The following regenerative resistor unit is required according to the SERVOPACK model.

SERVOPACK Model	Regenerative Resistor Unit Model	Specifications	Allowable Power Loss
SGDM-60ADA	JUSP-RA04	6.25 $\Omega$ , 880 W	180 W
SGDM-75ADA to -1EADA	JUSP-RA05	3.13 $\Omega$ , 1760 W	350 W

### (2) Dimensional Drawings



Units: mm

Model	W	H	D	M1	M2	Approx. Mass kg
JUSP-RA04	220	350	92	180	335	4
JUSP-RA05	300	350	95	250	335	7

### 5.8.8 Absolute Encoder Battery

When using an absolute encoder, a backup battery is required to prevent the position data from being lost at power OFF. Install one of the following absolute encoder batteries.

There are two types of battery: Battery to be mounted on the SERVOPACK and battery to be connected to the host controller.

## ⊘ PROHIBITED

- Install the absolute encoder battery on either the SERVOPACK or the host controller.  
Installing the batteries both on the SERVOPACK and host controller configures a loop in the circuit between two batteries, which damages the circuit.

#### (1) Battery Mounted on SERVOPACK

##### (a) Model

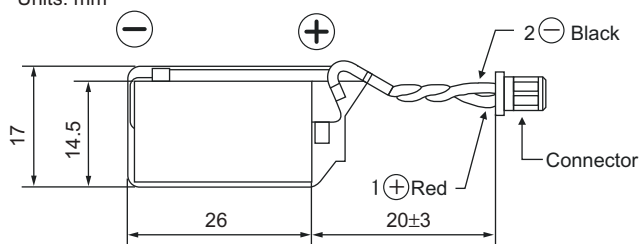
SERVOPACK Capacity	Battery Model
30 W to 5.0 kW	JZSP-BA01
6.0 to 15.0 kW	JZSP-BA01-1

##### (b) Dimensional Drawing

###### • JZSP-BA01

Lithium battery ER3V  
3.6 V 1000 mAh  
Manufactured by Toshiba Battery Co., Ltd.

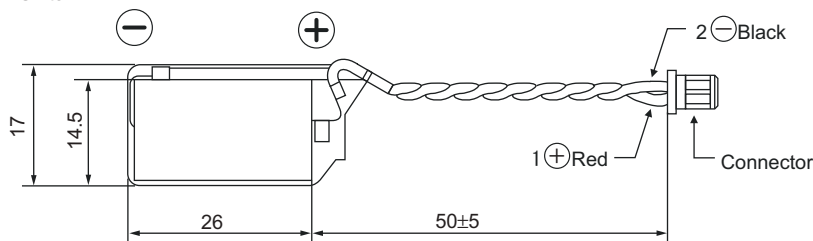
Units: mm



###### • JZSP-BA01-1

Lithium battery ER3V  
3.6 V 1000 mAh  
Manufactured by Toshiba Battery Co., Ltd.

Units: mm

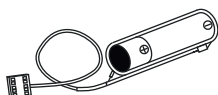


#### (2) Battery Connected to the Host Controller

When connecting the battery to the host controller, select the battery in accordance with the specifications of the host controller.

Use the battery ER6 VC3 or the equivalent:

3.6 V, 2000 mAh manufactured by Toshiba Battery Co., Ltd.





## 5.8.9 Molded-case Circuit Breaker (MCCB)

If selecting a molded-case circuit breaker, observe the following precautions.

### IMPORTANT

#### ■ Circuit Breakers

- Select a breaker for inverters.
- High-frequency current leaks from the servomotor armature because of switching operations inside the SERVOPACK.

### (1) Maximum Input Current

- The instantaneous maximum output of SERVOPACK is approximately 3 times of the rated output for maximum 3 seconds. Accordingly, select a circuit breaker whose operating time is 5 seconds or more at 300% of SERVOPACK rated current.

The general-purpose and low-speed acting molded-case circuit breakers are applicable.

- The power supply capacity per SERVOPACK when using a servomotor is described in *2.6.2 Molded-case Circuit Breaker and Fuse Capacity*. Select a circuit breaker with the capacity larger than the effective load current (when using multiple SERVOPACKs) calculated from the total power supply capacity.
- The power consumption of other controllers must be considered when selecting a circuit breaker.

### (2) Inrush Current

- Refer to *2.6.2 Molded-case Circuit Breaker and Fuse Capacity* for SERVOPACK inrush current.
- The allowable inrush current for a low-speed acting circuit breaker is approximately 10 times of the rated current for 0.02 seconds.
- When turning ON multiple SERVOPACKs simultaneously, select a molded-case circuit breaker with the allowable current for 20 ms larger than the total inrush current shown in *2.6.2 Molded-case Circuit Breaker and Fuse Capacity*.

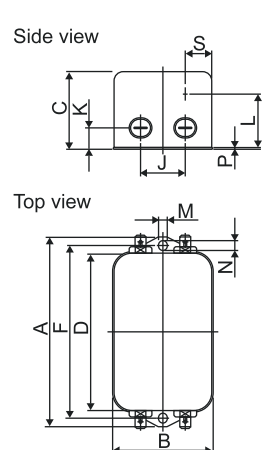
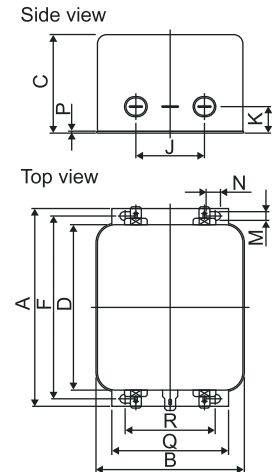
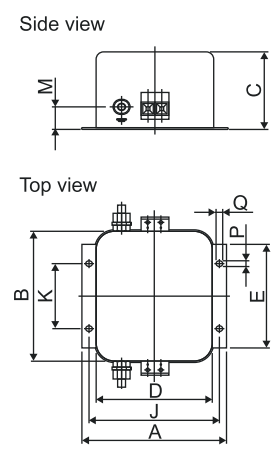
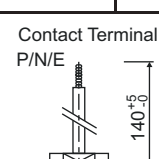
### 5.8.10 Noise Filter

The noise filters model FN and FS manufactured by Schaffner Electronic and FMAC manufacture by Timonta AG are recommended. Contact Yaskawa Controls Co., Ltd.

Select one of the following noise filters according to SERVOPACK capacity. For more details, refer to 2.5.3 *Noise Filters, Magnetic Conductors, Surge Absorbers and DC Reactors.*

Refer to 6.1.3 *Typical Main Circuit Wiring Examples* for the connection method.

#### (1) Single-phase, 100/200 V

Model		FN2070 -6/07	FN2070 -10/07	FN2070-16/07	FN350-30/33		
Dimensional Drawings							
							
External Dimensions in mm	Symbol	Dimensions				Dimensions	
	A	113.5 ± 1	156 ± 1	119 ± 0.5	A	105 ± 0.5	
	B	57.5 ± 1		85.5 ± 1	B	99.5 ± 0.5	
	C	45.4 ± 1.2		57.6 ± 1	C	57 ± 1	
	D	94 ± 1	130.5 ± 1	98.5 ± 1	D	84.5 ± 1	
	F	103 ± 0.3	143 ± 0.3	109 ± 0.3	E	79 ± 0.5	
	J	25 ± 0.2		40 ± 0.2	J	95 ± 0.2	
	K	8.4 ± 0.5		8.6 ± 0.5	K	51 ± 0.1	
	L	32.4 ± 0.5		–	L	–	
	M	4.4 ± 0.1	5.3 ± 0.1	4.4 ± 0.1	M	19 ± 0.5	
	N	6 ± 0.1		7.4 ± 0.1	N	–	
	P	0.9 ± 0.1		1.2 ± 0.1	P	4.4 ± 0.1	
	Q	–		66 ± 0.3	Q	6 ± 0.1	
	R	–		51 ± 0.2	R	–	
S	38 ± 0.5		–	S	–		
Specifications		250 VAC, 6 A	250 VAC, 10 A	250 VAC, 16 A	250 VAC, 30 A		
Applicable SERVOPACK SGDM-	Single-phase 100 V	A3BD, A3BDA A5BD, A5BDA 01BD, 01BDA	02BD, 02BDA	–	–		
	Single-phase 200 V	A3AD, A3ADA A5AD, A5ADA 01AD, 01ADA 02AD, 02ADA	04AD, 04ADA	–	–		
Manufacturer		Schaffner Electronic					

www.nicsanat.com

021-87700210

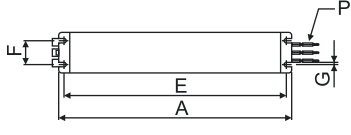
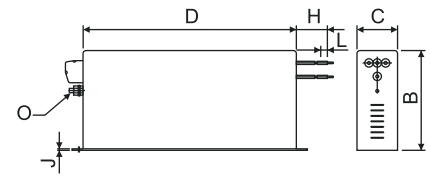


## (2) Three-phase, 200 V

Select one of the following noise filters according to SERVOPACK capacity. For more details, refer to 2.5.3 *Noise Filters, Magnetic Conductors, Surge Absorbers and DC Reactors*.

Refer to 6.1.3 *Typical Main Circuit Wiring Examples* for the connection method.

## (a) FN Series

Model		FN258L-7/07	FN258L-16/07	FN258L-30/07
Dimensional Drawings		Side view 		Front and side views 
External Dimensions in mm	Symbol	Dimensions		
	A	255 ± 1	305 ± 1	335 ± 1
	B	126 ± 0.8	142 ± 0.8	150 ± 1
	C	50 ± 0.6	55 ± 0.6	60 ± 0.6
	D	225 ± 0.8	275 ± 0.8	305 ± 1
	E	240 ± 0.5	290 ± 0.5	320 ± 0.5
	F	25 ± 0.3	30 ± 0.3	35 ± 0.3
	G	6.5 ± 0.2		
	H	300 ± 10		400 ± 10
	J	1 ± 0.1		
	L	9 ± 1		
	O	M5		
P	AWG16	AWG14	AWG10	
Specifications		480 VAC, 7 A	480 VAC, 16 A	480 VAC, 30 A
Applicable SERVOPACK SGDM-	Three-phase 200 V	05AD, 05ADA	08AD, 08ADA 10AD, 10ADA 15AD, 15ADA 20AD, 20ADA	30AD, 30ADA
Manufacturer		Schaffner Electronic		

## (b) FMAC Series

Model		FMAC-0934-5010	FMAC-0953-6410
Dimensional Drawings			
External Dimensions in mm	Symbol	Dimensions	
	A	251	308
	B	201	231
	C	151	151
	D	$135^{+0}_{-1}$	$135^{+0}_{-1}$
	E	$6.5 \pm 0.3$	$6.5 \pm 0.3$
	F	$115 \pm 0.3$	$115 \pm 0.3$
	G	M6	M6
	H	66	66
	I	121	121
	J	(10)	(13)
K	(41)	(45)	
L	(17)	(34)	
Specifications		440 VAC, 50 A	440 VAC, 64 A
Applicable SERVOPACK SGDM-	Three-phase 200 V	50ADA 60ADA	75ADA
Manufacturer		Timonta AG	

(c) FS Series

Model		FS5559-35-33	FS5559-80-34	FS5559-150-35
Dimensional Drawings				
External Dimensions in mm	Symbol	Dimensions		
	A	330	420	440
	B	85	95	150
	C	370	460	480
	D	348	438	458
	E	110	180	200
	F	80	140	170
	G	30	50	50
	H	25	25	35
	I	1.5	1.5	1.5
	J	6.5	6.5	6.5
	K	25	25	25
L	M6	M8	M10	
Specifications		480 V, 35 A	480 V, 80 A	480 V, 150 A
Applicable SERVOPACK SGDM-	Three-phase 200 V	-	-	1AADA 1EADA
Manufacturer		Schaffner Electronic		

### 5.8.11 Magnetic Contactor

#### (1) Model: HI-□J

The magnetic contactor is manufactured by Yaskawa Controls Co., Ltd.

A magnetic contactor is required to make the AC power supply to SERVOPACK ON/OFF sequence externally. Be sure to attach a surge absorber to the excitation coil of the magnetic contactor. Refer to 5.8.12 Surge Absorber (for switching surge) for details of the surge absorber.

For selecting a magnetic contactor, refer to 2.5.3 Noise Filters, Magnetic Conductors, Surge Absorbers and DC Reactors.

#### (2) For Single-phase 100/200 V and Three-phase 200 V SERVOPACKs

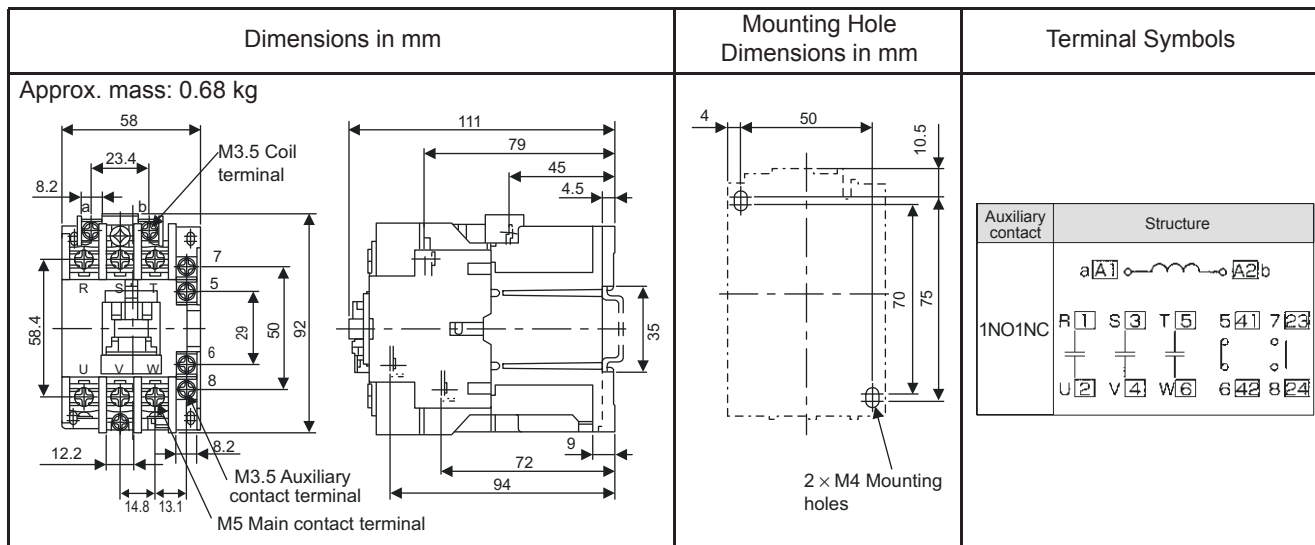
##### (a) Model: HI-11J

Dimensions in mm	Mounting Hole Dimensions in mm	Terminal Symbols						
<p>Approx. mass: 0.25 kg</p>	<p>2 × M4 Mounting holes</p>	<table border="1"> <thead> <tr> <th>Auxiliary contact</th> <th>Structure</th> </tr> </thead> <tbody> <tr> <td>1NO</td> <td>                       R [1] S [3] T [5] 1 [3]                      U [2] V [4] W [6] 2 [4]                 </td> </tr> <tr> <td>1NC</td> <td>                       R [1] S [3] T [5] 1 [1]                      U [2] V [4] W [6] 2 [2]                 </td> </tr> </tbody> </table>	Auxiliary contact	Structure	1NO	 R [1] S [3] T [5] 1 [3] U [2] V [4] W [6] 2 [4]	1NC	 R [1] S [3] T [5] 1 [1] U [2] V [4] W [6] 2 [2]
Auxiliary contact	Structure							
1NO	 R [1] S [3] T [5] 1 [3] U [2] V [4] W [6] 2 [4]							
1NC	 R [1] S [3] T [5] 1 [1] U [2] V [4] W [6] 2 [2]							

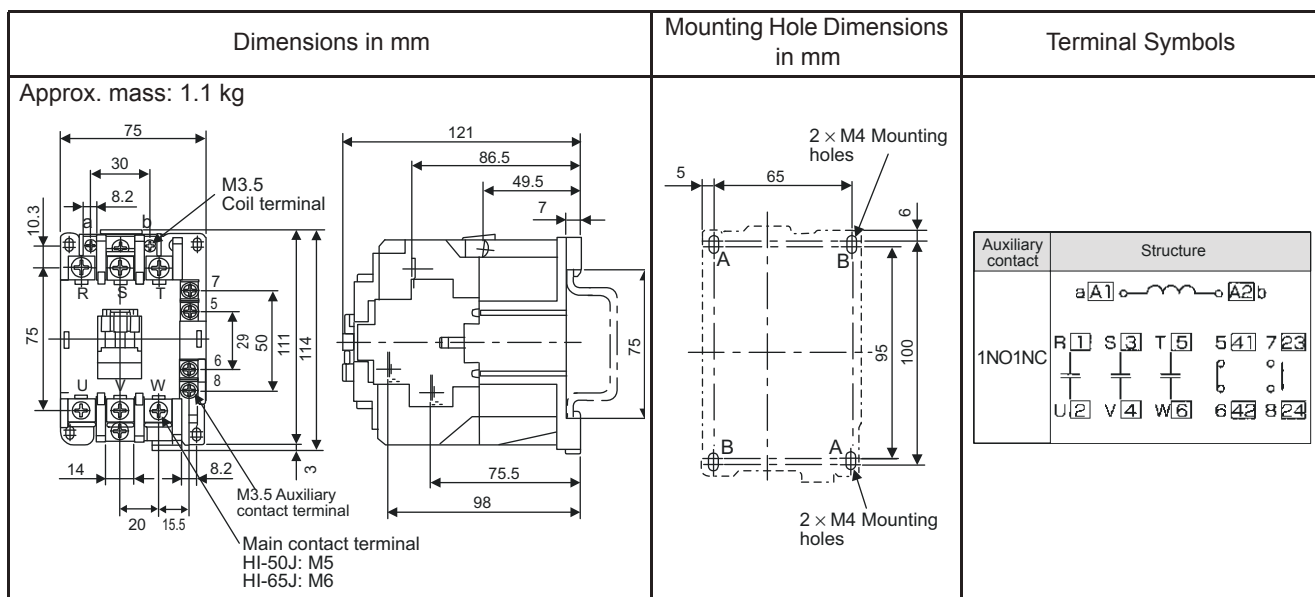
##### (b) Model: HI-15J and HI-20J

Dimensions in mm	Mounting Hole Dimensions in mm	Terminal Symbols						
<p>Approx. mass: 0.38 kg</p>	<p>2 × M4 Mounting holes</p>	<table border="1"> <thead> <tr> <th>Auxiliary contact</th> <th>Structure</th> </tr> </thead> <tbody> <tr> <td>HI-15J</td> <td>                       1NO1NC R [1] S [3] T [5] 1 [2] 3 [3]                      U [2] V [4] W [6] 2 [2] 4 [4]                 </td> </tr> <tr> <td>HI-20J</td> <td>                       1NO1NC R [1] S [3] T [5] 5 [4] 7 [2] 3 [3]                      U [2] V [4] W [6] 6 [4] 8 [2] 4 [4]                 </td> </tr> </tbody> </table>	Auxiliary contact	Structure	HI-15J	 1NO1NC R [1] S [3] T [5] 1 [2] 3 [3] U [2] V [4] W [6] 2 [2] 4 [4]	HI-20J	 1NO1NC R [1] S [3] T [5] 5 [4] 7 [2] 3 [3] U [2] V [4] W [6] 6 [4] 8 [2] 4 [4]
Auxiliary contact	Structure							
HI-15J	 1NO1NC R [1] S [3] T [5] 1 [2] 3 [3] U [2] V [4] W [6] 2 [2] 4 [4]							
HI-20J	 1NO1NC R [1] S [3] T [5] 5 [4] 7 [2] 3 [3] U [2] V [4] W [6] 6 [4] 8 [2] 4 [4]							

(c) Model: HI-25J and HI-35J



(d) Model: HI-50J and HI-65J



### 5.8.12 Surge Absorber (for switching surge)

#### (1) Surge Absorber for Magnetic Contactor

Contact Yaskawa Controls Co., Ltd.

(a) Model: TU-25□, TU-65□ (Sold as Surge Suppressor)

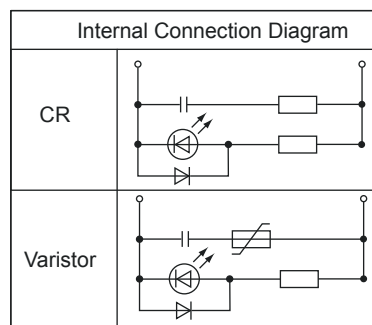
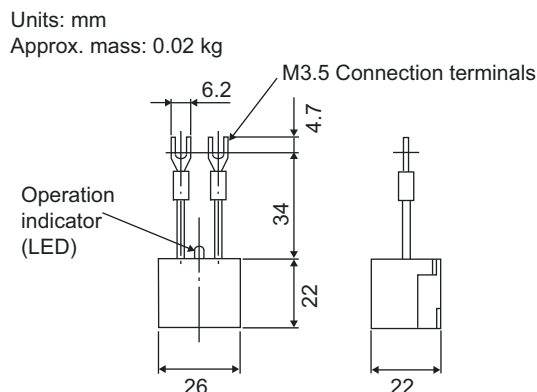
(b) Specifications

Model	Surge Absorption Method	Rated Insulation Voltage	Applicable Voltage Range for Operation Magnetic Coil						Applicable Magnetic Contactor
			AC 50/60Hz						
			50 V	110 V	127 V	240 V	380 V	440 V	
TU-25C120	CR	150 VAC	██████████						HI-11J HI-15J HI-20J
TU-25C240	CR	300 VAC	██████████						
TU-25V440	Varistor	500 VAC				██████████			
TU-65C120	CR	150 VAC	██████████						HI-25J HI-35J HI-50J HI-65J
TU-65C240	CR	300 VAC	██████████						
TU-65V440	Varistor	500 VAC				██████████			

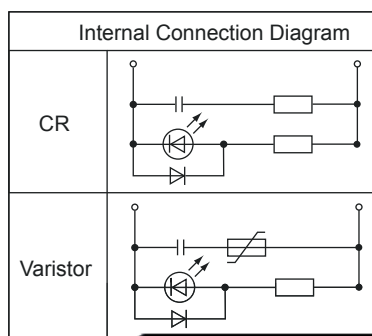
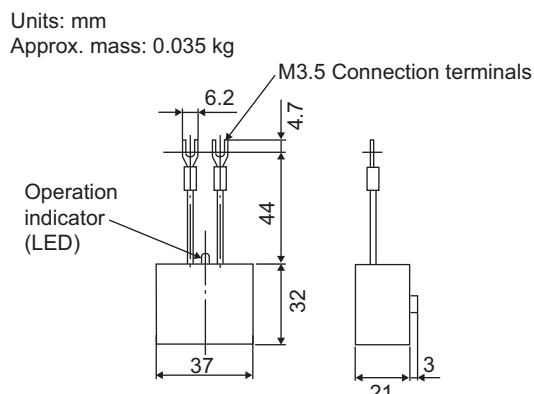
Note: ██████████ : Applicable voltage range

#### (c) Dimensional Drawings

- Model TU-25□



- Model TU-65□



www.nicsanaf.com  
021-87700210



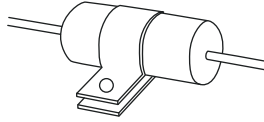


## (2) Surge Absorber for Brake Power Supply

When using a servomotor with holding brake, install a surge absorber near the brake coil to prevent the power supply noises. The surge absorber handled by Okaya Electric Industries Co., Ltd. is recommended.

(a) Model: CR50500BL (Sold as Spark Quencher)

(b) Specifications



Power supply: 250 VAC  
Capacitance:  $0.5 \mu\text{F} \pm 20\%$   
Resistance:  $50 \Omega (1/2 \text{ W}) \pm 30\%$

### 5.8.13 Surge Absorber (for lightning surge)

#### (1) Model: R·C·M-601BQZ-4 and R·C·M-601BUZ-4 (Sold as Surge Protector)

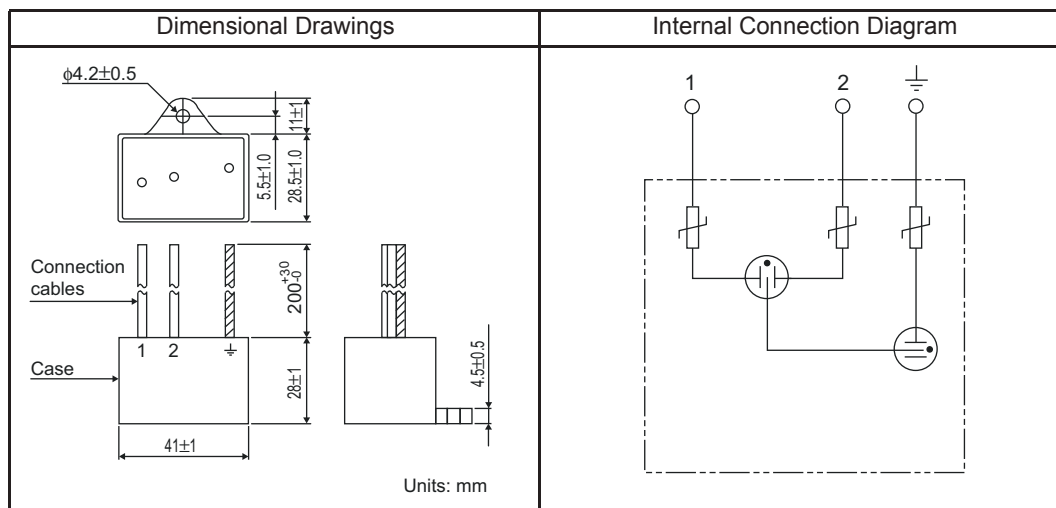
Manufactured by Okaya Electric Industries Co., Ltd.

The surge absorber absorbs lightning surge and prevents faulty operation in or damage to electronic circuits.

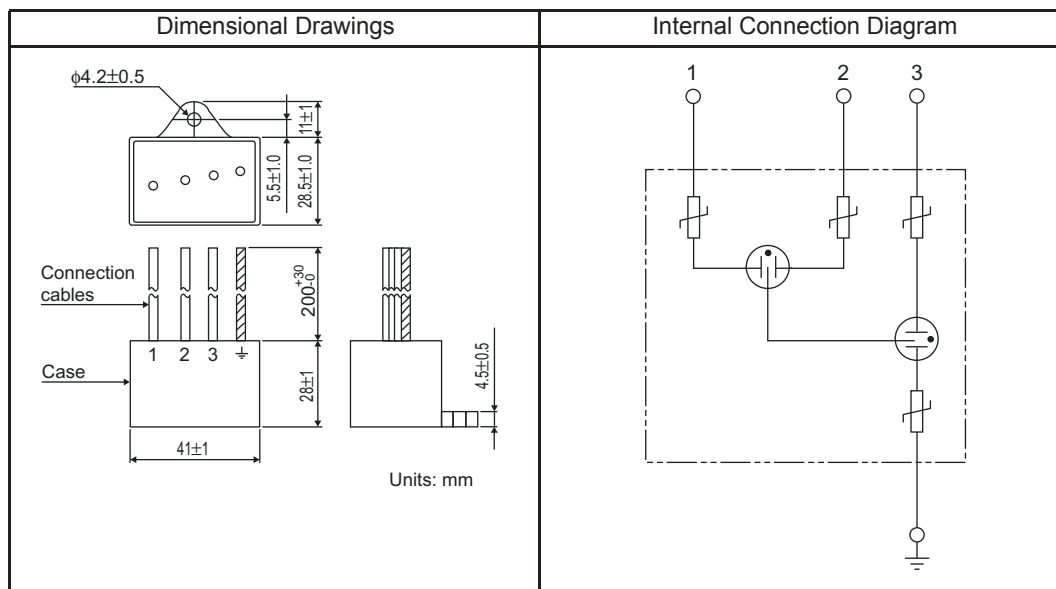
Recommended surge absorbers are listed below.

#### (2) Dimensional Drawings

##### (a) R·C·M-601BQZ-4



##### (b) R·C·M-601BUZ-4



## 5.8.14 DC Reactor for Harmonic Suppression

### (1) Specifications

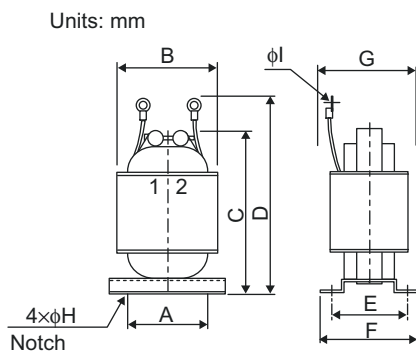
DC reactor for harmonic suppression is handled by Yaskawa Controls Co., Ltd.

If necessary for harmonic suppression, connect a DC reactor to the SERVOPACK. Note that no terminal for connecting a DC reactor is provided to the 6.0 kW or more SERVOPACKs.

Refer to the table below for selecting a DC reactor according to the SERVOPACK capacity. For the connection method, refer to 6.4.8 DC Reactor for Harmonic Suppression.

Applicable SERVOPACK Model SGDM-		DC Reactor Model	DC Reactor Specifications	
			Inductance (mH)	Rated Current (A)
Single-phase 100 V	A3BD, A3BDA	-	-	-
	A5BD, A5BDA			
	01BD, 01BDA	X5063	10.0	1.8
	02BD, 02BDA	X5062	4.7	3.5
Single-phase 200 V	A3AD, A3ADA	-	-	-
	A5AD, A5ADA			
	01AD, 01ADA	X5071	40.0	0.85
	02AD, 02ADA	X5070	20.0	1.65
	04AD, 04ADA	X5069	10.0	3.3
Three-phase 200 V	05AD, 05ADA	X5061	2.0	4.8
	08AD, 08ADA			
	10AD, 10ADA			
	15AD, 15ADA	X5060	1.5	8.8
	20AD, 20ADA			
	30AD, 30ADA	X5059	1.0	14.0
	50ADA	X5068	0.47	26.8

### (2) Dimensional Drawings



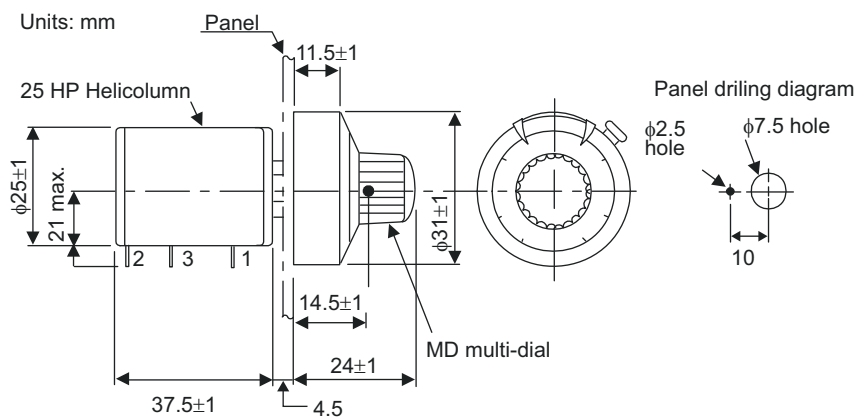
DC Reactor Model	Dimensions in mm									Approx. Mass kg
	A	B	C	D	E	F	G	φH	φl	
X5059	50	74	125	140	35	45	60	5	5.3	1.1
X5060	40	59	105	125	45	60	65	4	4.3	1.0
X5061	35	52	80	95	35	45	50	4	4.3	0.5
X5062	40	59	100	120	40	50	55	4	4.3	0.9
X5063	35	52	90	105	35	45	50	4	4.3	0.6
X5068	50	74	125	155	53	66	75	5	6.4	1.9
X5069	40	59	105	125	45	60	65	4	4.3	1.0
X5070	40	59	100	120	35	45	50	4	4.3	0.8
X5071	35	52	80	95	30	40	45	4		

### 5.8.15 Variable Resistor for Speed and Torque Setting

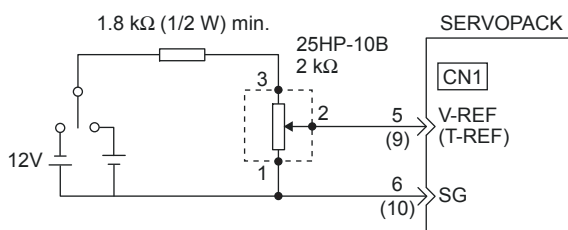
#### (1) Model: 25HP-10B

The multiturn type winding variable resistors with dial MD10-30B4 are manufactured by Sakae Tsushin Kogyo Co., Ltd. Contact Yaskawa Controls Co., Ltd.

#### (2) Dimensional Drawings



#### (3) Example of Connection to an External Power Supply



### 5.8.16 Encoder Signal Converter Unit

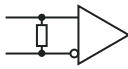
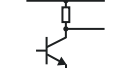

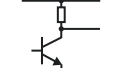

The encoder signal converter unit (the trade name “Receiver Unit”) converts encoder signal output from the line driver to open-collector or voltage-pulse output.

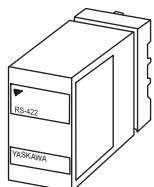
A socket model 11PFA is required to use a Receiver Unit.

(1) Model: LRX-01 / A□

Contact Yaskawa Controls Co., Ltd.

(2) Specifications

Specifications	Receiver Unit			
	LRX-01/A1	LRX-01/A2	LRX-01/A3	LRX-01/A4
Power Supply	12 VDC ±10 %, 100 mA		5 VDC ±5 %, 100 mA	
Input Signals	Balanced line driver input (RS-422) Input Circuit 			
Output Signals	Voltage pulse output Output Circuit 	Open collector output Output Circuit 	Voltage pulse output Output Circuit 	Open collector output Output Circuit 
Input Signal Level	Differential voltage ≥ 0.3 V, built-in terminator 100 Ω			
Output Signal Level	H: 10 V min. (1 mA) L: 0.5 V max. (30 mA)	L: 0.5 V min. (30 mA) Withstand voltage: 50 V	H: 3 V min. (1 mA) L: 0.5 V max. (30 mA)	L: 0.5 V min. (30 mA) Withstand voltage: 50 V
Surrounding Air Temperature	0 to + 60°C			
IC Used	Receiver IC: AM26LS32C or the equivalent			
Response Frequency	100 kHz			

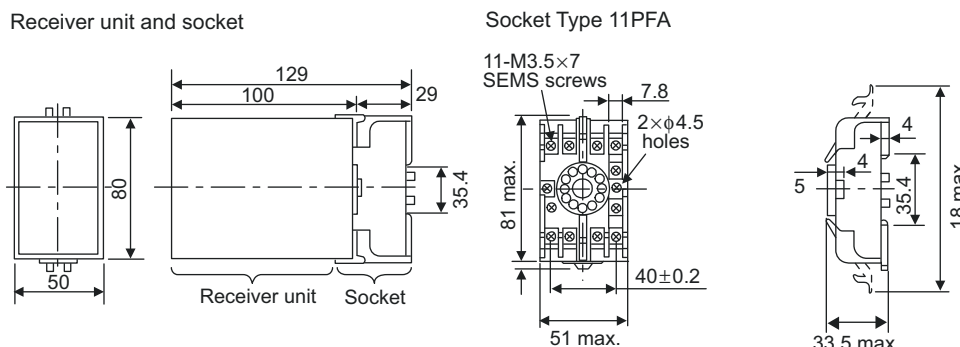


(3) Dimensional Drawings

The socket is optional.

Units: mm


Receiver unit and socket




6.1 Wiring Main Circuit	6-2
6.1.1 Names and Functions of Main Circuit Terminals	6-2
6.1.2 Wiring Main Circuit Power Supply Connector (Spring Type)	6-4
6.1.3 Typical Main Circuit Wiring Examples	6-5
6.2 Wiring Encoders	6-7
6.2.1 Connecting an Encoder (CN2) and Output Signals from the SERVOPACK (CN1)	6-7
6.2.2 Encoder Connector (CN2) Terminal Layout	6-8
6.3 Examples of I/O Signal Connections	6-9
6.3.1 Speed Control Mode	6-9
6.3.2 Position Control Mode	6-10
6.3.3 Torque Control Mode	6-11
6.3.4 I/O Signal Connector (CN1) Terminal Layout	6-12
6.3.5 I/O Signal (CN1) Names and Functions	6-13
6.3.6 Interface Circuit	6-15
6.4 Others	6-18
6.4.1 Wiring Precautions	6-18
6.4.2 Wiring for Noise Control	6-19
6.4.3 Installation Conditions of EMC Directives	6-22
6.4.4 Installation Conditions of UL Standards	6-24
6.4.5 Using More Than One SERVOPACK	6-25
6.4.6 Extending Encoder Cables	6-26
6.4.7 Operating Conditions on 400-V Power Supply Voltage	6-28
6.4.8 DC Reactor for Harmonic Suppression	6-29
6.5 Connecting Regenerative Resistors	6-30
6.5.1 Regenerative Power and Regenerative Resistance	6-30
6.5.2 Connecting External Regenerative Resistors	6-30

## 6.1 Wiring Main Circuit

This section describes typical examples of main circuit wiring, functions of main circuit terminals, and the power ON sequence.

 CAUTION	
<ul style="list-style-type: none"> <li>Do not bundle or run power and signal lines together in the same duct. Keep power and signal lines separated by at least 300 mm. Failure to observe this caution may result in malfunction.</li> <li>Use twisted-pair shielded wires or multi-core twisted pair shielded wires for signal and encoder (PG) feedback lines. The maximum length is 3 m for reference input lines and is 20 m for PG feedback lines.</li> <li>Do not touch the power terminals for five minutes after turning power OFF because high voltage may still remain in the SERVOPACK. Make sure the charge indicator is turned OFF first before starting an inspection.</li> <li>Avoid frequently turning power ON and OFF. Do not turn the power ON or OFF more than once per minute. Since the SERVOPACK has a capacitor in the power supply, a high charging current flows for 0.2 seconds when the power is turned ON. Frequently turning the power ON and OFF causes main power devices such as capacitors and fuses to deteriorate, resulting in unexpected problems.</li> </ul>	

### 6.1.1 Names and Functions of Main Circuit Terminals

Terminal Symbol	Name	Main Circuit Voltage (V)	Maximum Applicable Servomotor Capacity (kW)	Functions
L1, L2	Main circuit power supply input terminal	100	0.03 to 0.2	Single-phase 100 to 115 VAC <sup>+10%, -15%</sup> (50/60 Hz)*
		200	0.03 to 0.4	Single-phase 200 to 230 VAC <sup>+10%, -15%</sup> (50/60 Hz)*
L1, L2, L3		200	0.5 to 7.5	Three-phase 200 to 230 VAC <sup>+10%, -15%</sup> (50/60 Hz)*
U, V, W	Servomotor connection terminals	–	–	Connects to the servomotor.
L1C, L2C	Control circuit power supply input terminal	100	0.03 to 0.2	Single-phase 100 to 115 VAC <sup>+10%, -15%</sup> (50/60 Hz)*
		200	0.03 to 7.5	Single-phase 200 to 230 VAC <sup>+10%, -15%</sup> (50/60 Hz)*
	Ground terminals	–	–	Connects to the power supply ground terminals and servomotor ground terminal.

Terminal Symbol	Name	Main Circuit Voltage (V)	Maximum Applicable Servomotor Capacity (kW)	Functions
B1, B2	External regenerative resistor connection terminal	100	0.03 to 0.2	Normally not connected.
		200	0.03 to 0.4	Connect an external regenerative resistor (provided by customer) between B1 and B2 if the regenerative capacity is insufficient.
200		0.5 to 5.0	Normally short B2 and B3 (for an internal regenerative resistor). Remove the wire between B2 and B3 and connect an external regenerative resistor (provided by customer) between B1 and B2 if the capacity of the internal regenerative resistor is insufficient.	
200		6.0 to 15.0	Connect an external regenerative resistor (provided by customer) between B1 and B2. Refer to 6.5 <i>Connecting Regenerative Resistors</i> for details.	
⊕1, ⊕2	DC reactor for harmonic suppression terminal	100	0.03 to 0.2	Normally short ⊕1 and ⊕2.
		200	0.03 to 5.0	If a countermeasure against power supply harmonic waves is needed, connect a DC reactor between ⊕1 and ⊕2.
		200	6.0 or more	These terminals do not exist.
⊕	Main circuit plus terminal	200	6.0 or more	Normally not connected. Note: This terminal is on the SERVOPACK with a capacity of 6.0 kW or higher only.
⊖	Main circuit minus terminal	–	–	Normally not connected.

\* If using the main circuit power supply and the control power supply with DC power supply input, refer to 6.1.3 *Typical Main Circuit Wiring Examples (3) DC Power Supply Input* for more information on wiring.



## 6.1.2 Wiring Main Circuit Power Supply Connector (Spring Type)

### ⚠ CAUTION

- Observe the following precautions when wiring main circuit connector.
  - Remove the connector from the SERVOPACK prior to wiring.
  - Insert only one wire per terminal on the connector.
  - Make sure that the core wire is not electrically shorted to adjacent core wires.

SERVOPACKs with a capacity below 1.5 kW have a removable connector for the main circuit power supply or the control power supply terminal. Use the following procedure when connecting the SERVOPACK to the connector.

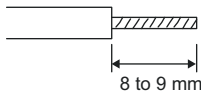
### (1) Wire Size

Wire can be used simply by stripping back the outer coating. The following is applicable wire sizes.

- Single wire:  $\phi 0.5$  to  $\phi 1.6$  mm
- Braided wire: AWG28 to AWG12

### (2) Connection Procedure

1. Strip the end of the wire.



2. Open the wire terminal on the power supply connector housing (plug) with the tool using the procedure shown in Fig. A or B.
  - Insert the connection hook end of the provided tool into the slot as shown in Fig. A.
  - Use a standard flat-blade screwdriver (blade width of 3.0 to 3.5 mm) or type 54932-0000 manufactured by Molex Japan Co., Ltd. Put the blade into the slot, as shown in Fig. B, and press down firmly to open the wire terminal.

Either the procedure shown in Fig. A or B can be used to open the wire insert opening.

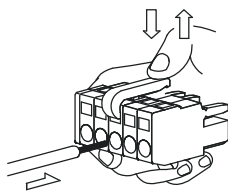


Fig. A

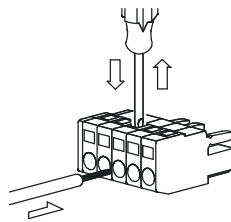
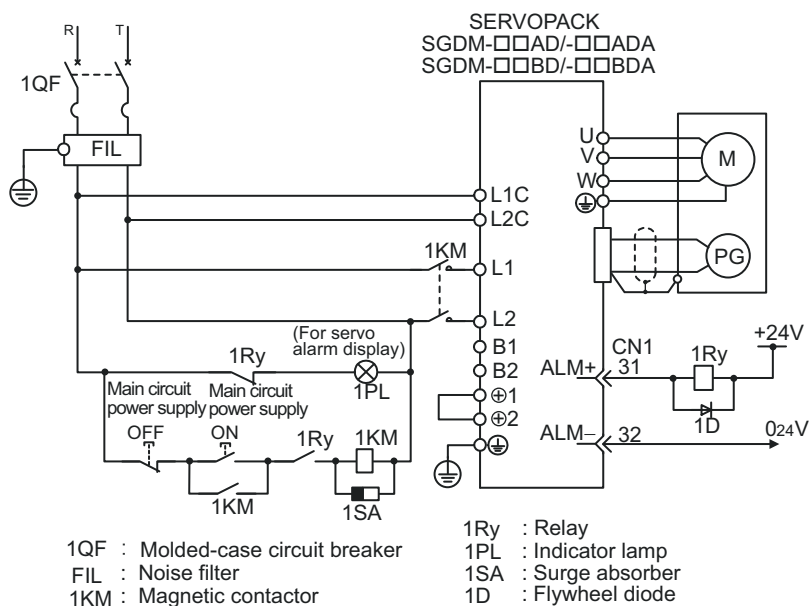


Fig. B

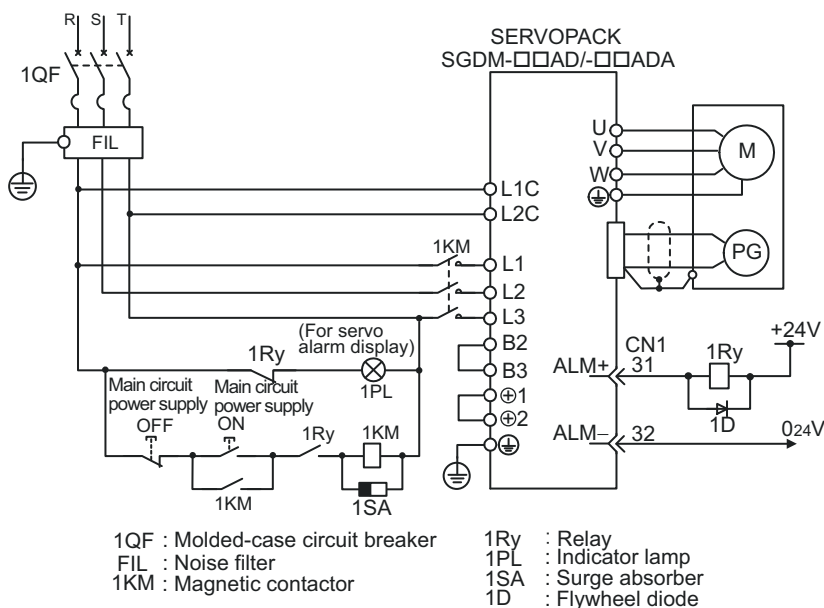
3. Insert the wire core into the opening and then close the opening by releasing the lever connection or removing the screwdriver.

### 6.1.3 Typical Main Circuit Wiring Examples

#### (1) Single-phase, 100/200 V



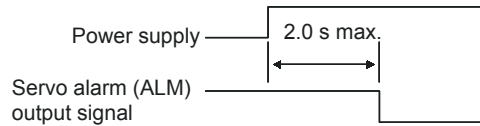
#### (2) Three-phase, 200 V



**IMPORTANT****■ Designing a Power ON Sequence**

Note the following points when designing the power ON sequence.

- Design the power ON sequence so that main circuit power supply is turned OFF when a servo alarm signal is output. See the previous circuit figure.
- The SERVOPACK will output (1Ry is OFF) a servo alarm signal for two seconds or less when control power is turned ON. This is required in order to initialize the SERVOPACK.



- Select the power supply specifications for the parts in accordance with the input power supply.

**■ Harmonic Suppression**

If another device requires for harmonic suppression, connect the DC reactor to the DC main circuit side on the SERVOPACK. For connecting examples, refer to 6.4.8 DC Reactor for Harmonic Suppression.

**(3) DC Power Supply Input****⚠ WARNING**

- SGDM SERVOPACK is applicable for both AC and DC power supply input excluding 6-kW and 7.5-kW control power supply input. However, if the DC power supply input supplies a voltage without setting '1' (for DC power supply input) in the parameter Pn001.2, the SERVOPACK's internal elements will burn and may cause fire or malfunction. When using the SERVOPACK with DC power supply input, confirm the following setting of parameters.

When using the main circuit power supply input of the SGDM SERVOPACK with DC power supply input, use the following power supply and set the parameter Pn001.2 for '1'. Also, read carefully to the following 'Important' section.

**IMPORTANT**

1. Servomotor returns the regenerative energy to the power supply when regenerating. SERVOPACK does not regenerate with DC power supply input specifications, so regenerate the energy on the power supply side.
2. Take appropriate measures to ensure that a high charging current stays inside the SERVOPACK when power is OFF.

**(a) Main Circuit and Control Power Supply Input**

The following shows the connection for the main power supply and the control power supply.

Terminal Symbol	Name	Functions
⊕1 or ⊕	Main circuit plus terminal	270 V to 310 VDC
		135 to 155 VDC for SGDM-□□BD/SGDM-□□BDA SERVOPACK with 100 V input
⊖	Main circuit minus terminal	0 V
L1C, L2C	Control power supply input terminal	Single-phase 200 to 230 VAC +10%, -15% (50/60 Hz) or 270 to 310 VDC, without polarity, excluding 6-kW and 7.5-kW control power supply input.
		Single-phase 100 to 115 VAC +10%, -15% (50/60 Hz) or 135 to 155 VDC, without polarity, for SGDM-□□BD/SGDM-□□BDA SERVOPACK with 100 V input

(b) Setting Parameters

Parameter	Meaning	
Pn001	n.□0□□	Not applicable for main circuit DC power supply input: Input the AC power supply for the terminal L1, L2 or L3.
	n.□1□□	Applicable for main circuit DC power supply input: Input the DC power supply between the terminal ⊖ and the terminal ⊕1, or the terminal ⊖ and the terminal ⊕.

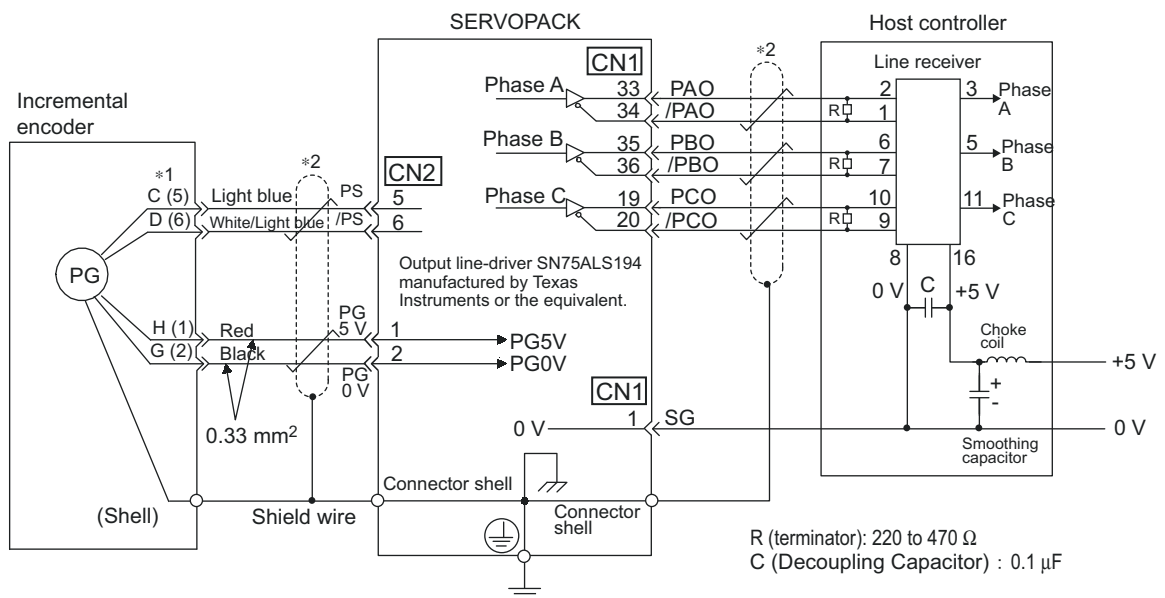
• When changing the parameters, turn the power ON again for the necessity of the effective setting.

## 6.2 Wiring Encoders

The connection cables between encoder and SERVOPACK and wiring pin numbers differ depending on servomotor model. Refer to *Chapter 5 Specifications and Dimensional Drawings of Cables and Peripheral Devices* for details.

### 6.2.1 Connecting an Encoder (CN2) and Output Signals from the SERVOPACK (CN1)

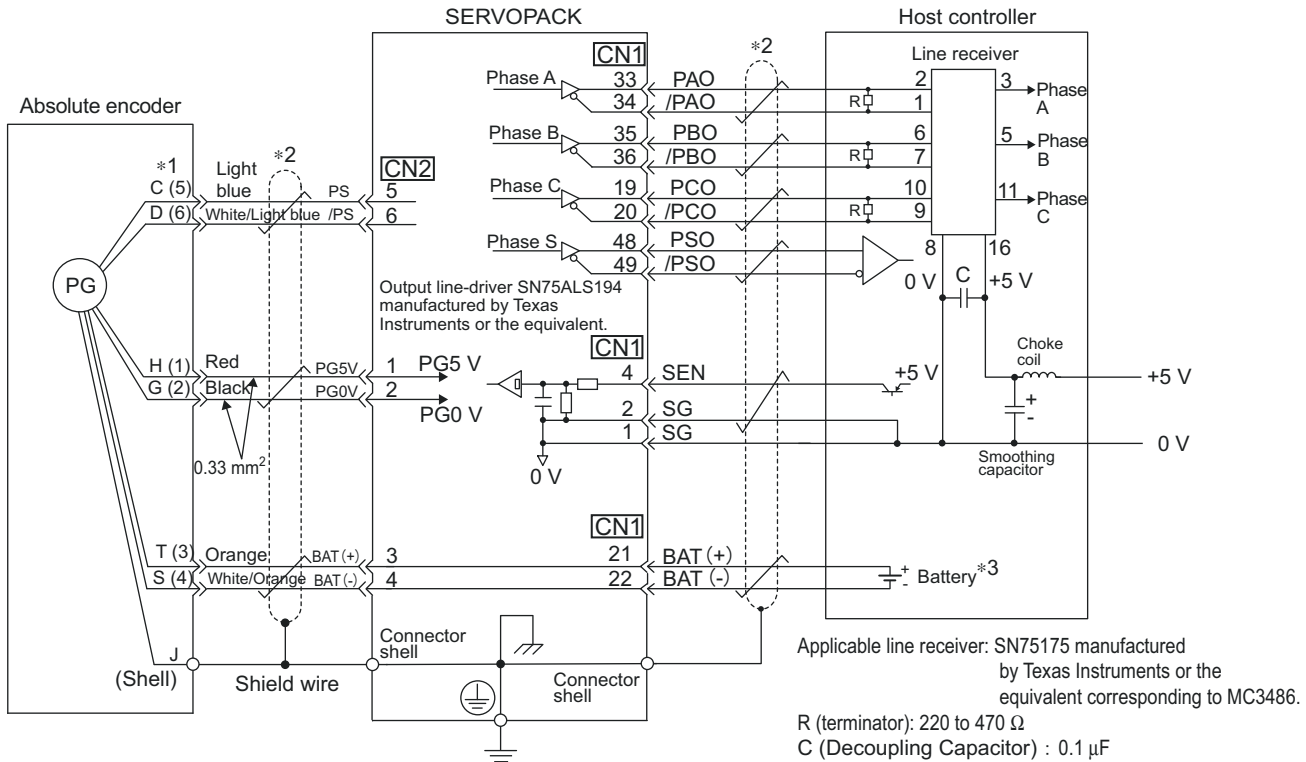
#### (1) Incremental Encoders



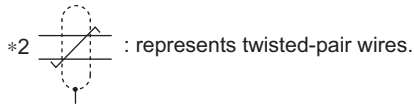
\*1 The pin numbers for the connector wiring differ depending on the servomotors.  
C, D, H, G : pin number for the SGMGH, SGMSH, SGMDH servomotors.  
1, 2, 5, 6 : pin number for the SGMAH and SGMPH servomotors.

\*2  : represents twisted-pair wires.

(2) Absolute Encoders



- \*1 The pin numbers for the connector wiring differ depending on the servomotors.  
 C,D,H,G,S,T : pin number for the SGMGH, SGMSH, SGMDH servomotors.  
 1, 2, 3, 4, 5, 6 : pin number for the SGMMAH and SGMMPH servomotors



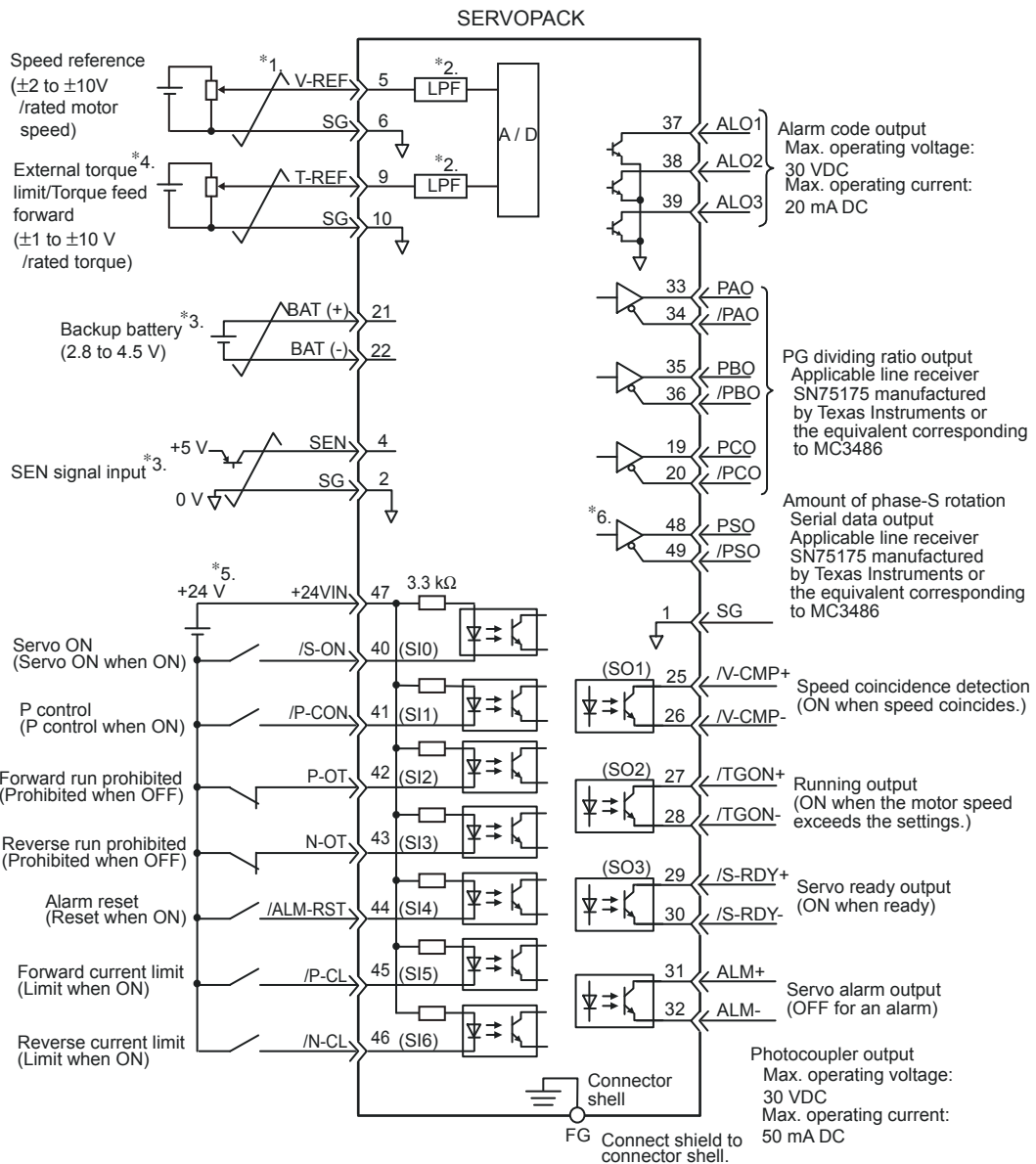
- \*3 When using an absolute encoder, install a battery on the host controller side to supply power.

6.2.2 Encoder Connector (CN2) Terminal Layout

1	PG5V	PG power supply +5 V	2	PG 0 V	PG power supply 0 V
3	BAT (+)	Battery (+) (For an absolute encoder)	4	BAT (-)	Battery (-) (For an absolute encoder)
5	PS	PG serial signal input	6	/PS	PG serial signal input
SHELL	Shield	-			

## 6.3 Examples of I/O Signal Connections

### 6.3.1 Speed Control Mode



\* 1.  represents twisted-pair wires.

\* 2. The time constant for the primary filter is 47  $\mu$ s.

\* 3. Connect a backup battery when using an absolute encoder. When connecting a battery to the host controller, however, do not connect a backup battery.

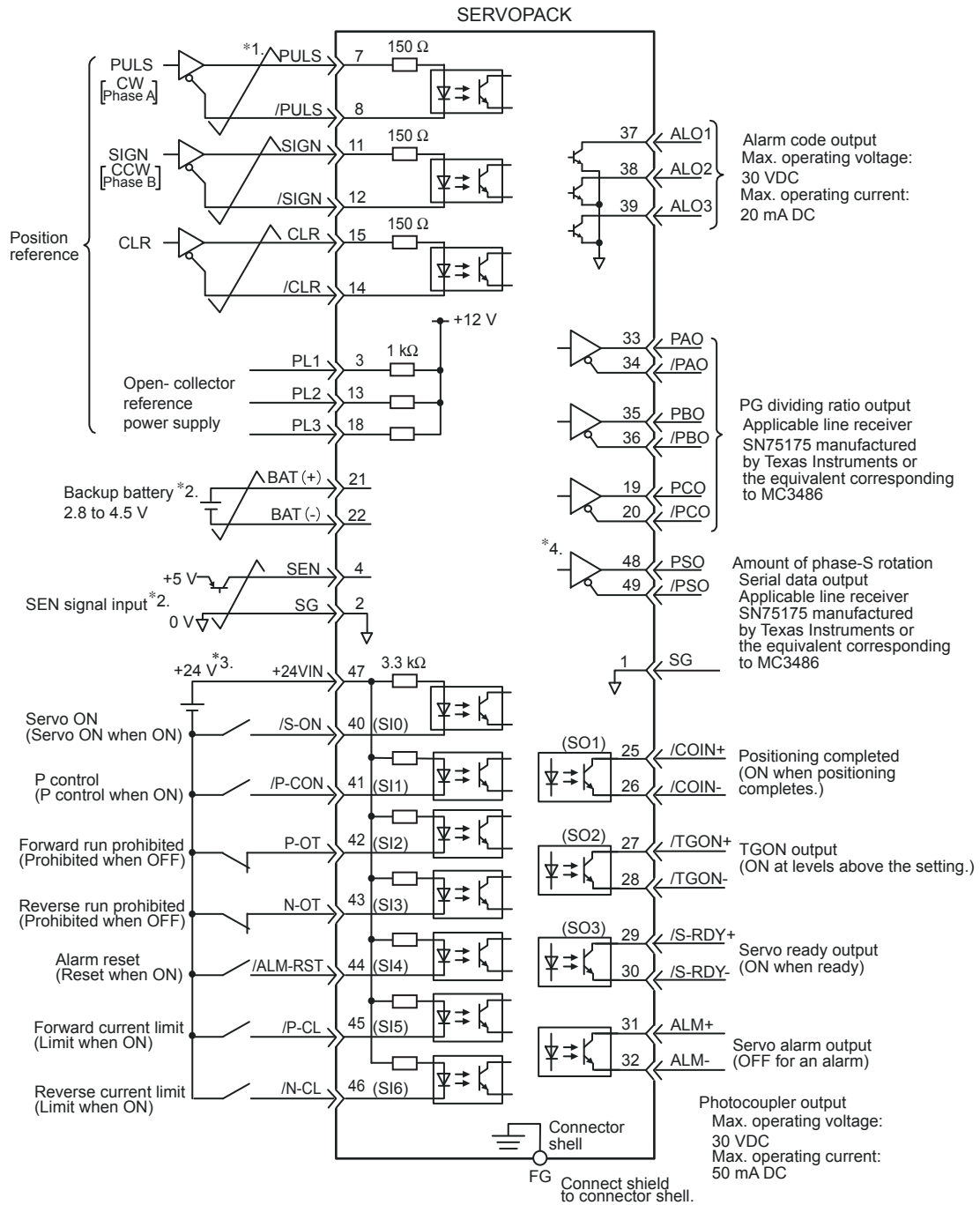
\* 4. Enabled by the parameter setting.

\* 5. Customers must purchase a 24 VDC power supply with double-shielded enclosure.

\* 6. Enabled when using the absolute encoder.

Note: The functions allocated to the input signals SI0 to SI6 and the output signals SO1 to SO3 can be changed by using the parameters. Refer to 7.3.2 *Input Circuit Signal Allocation* and 7.3.3 *Output Circuit Signal Allocation*.

### 6.3.2 Position Control Mode



\* 1. : represents twisted-pair wires.

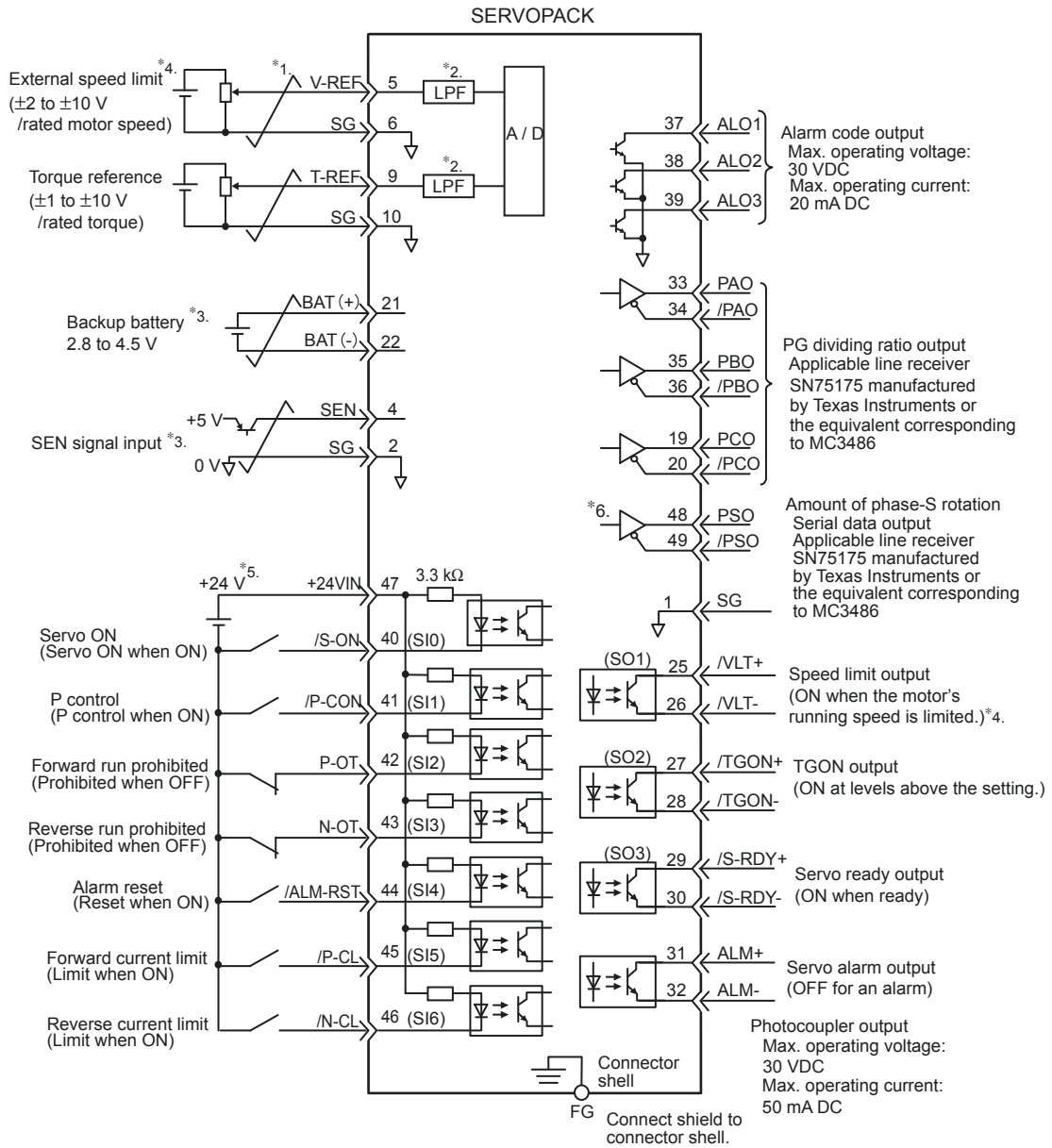
\* 2. Connect a backup battery when using an absolute encoder. When connecting a battery to the host controller, however, do not connect a backup battery.

\* 3. Customers must purchase a 24 VDC power supply with double-shielded enclosure.

\* 4. Enabled when using the absolute encoder.

Note: The functions allocated to the input signals SI0 to SI6 and the output signals SO1 to SO3 can be changed by using the parameters. Refer to 7.3.2 *Input Circuit Signal Allocation* and 7.3.3 *Output Circuit Signal Allocation*.

### 6.3.3 Torque Control Mode



- \* 1. : represents twisted-pair wires.
  - \* 2. The time constant for the primary filter is 47  $\mu$ s.
  - \* 3. Connect a backup battery when using an absolute encoder. When connecting a battery to the host controller, however, do not connect a backup battery.
  - \* 4. Enabled by the parameter setting.
  - \* 5. Customers must purchase a 24 VDC power supply with double-shielded enclosure.
  - \* 6. Enabled when using the absolute encoder.
- Note: The functions allocated to the input signals SI0 to SI6 and the output signals SO1 to SO3 can be changed by using the parameters. Refer to 7.3.2 Input Circuit Signal Allocation and 7.3.3 Output Circuit Signal Allocation.



### 6.3.4 I/O Signal Connector (CN1) Terminal Layout

The following diagram shows the terminal layout and the signals that are preset before shipping.

Pin Number	Signal Name	Function
1	SG	GND
2	SG	GND
3	PL1	Open-collector reference power supply
4	SEN	SEN signal input
5	V-REF	Speed reference input
6	SG	GND
7	PULS	Reference pulse input
8	/PULS	Reference pulse input
9	T-REF	Torque reference input
10	SG	GND
11	SIGN	Reference sign input
12	/SIGN	Reference sign input
13	PL2	Open-collector reference power supply
14	/CLR	Clear input
15	CLR	Clear input
16	–	–
17	–	–
18	PL3	Open-collector reference power supply
19	PCO	PG dividing pulse output Phase C
20	/PCO	PG dividing pulse output Phase C
21	BAT (+)	Battery (+)
22	BAT (-)	Battery (-)
23	–	–
24	–	–
25	/V-CMP+ (/COIN+)	Speed coincidence detection output
26	/V-CMP- (/COIN-)	Speed coincidence detection output
27	/TGON+	Running signal output
28	/TGON-	Running signal output
29	/S-RDY+	Servo ready output
30	/S-RDY-	Servo ready output
31	ALM+	Servo alarm output
32	ALM-	Servo alarm output
33	PAO	PG dividing pulse output Phase A
34	/PAO	PG dividing pulse output Phase A
35	PBO	PG dividing pulse output Phase B
36	/PBO	PG dividing pulse output Phase B
37	ALO1	Alarm code output
38	ALO2	Alarm code output
39	ALO3	Alarm code output
40	/S-ON	Servo ON input
41	/P-CON	P control input
42	P-OT	Forward run prohibit input
43	N-OT	Reverse run prohibit input
44	/ALM-RST	Alarm reset input
45	/P-CL	Forward external torque limit input
46	/N-CL	Reverse external torque limit input
47	+24V IN	External input power supply
48	PSO	Phase-S signal output
49	/PSO	Phase-S signal output
50	–	–

Note: 1. Do not use unused terminals for relays.

2. Connect the shield of the I/O signal cable to the connector shell.

Connect to the FG (frame ground) at the SERVOPACK-end connector.

3. The functions allocated to the following input and output signals can be changed by using the parameters.

Refer to 7.3.2 *Input Circuit Signal Allocation* and 7.3.3 *Output Circuit Signal Allocation*.

- Input signals: /S-ON, /P-CON, P-OT, N-OT, /ALM-RST, /P-CL, and /N-CL
- Output signals: /TGON, /S-RDY, and /V-CMP (/COIN)
- The above output signals can be changed to /CLT, /VLT, /BK, /WARN, and /NEAR.

## 6.3.5 I/O Signal (CN1) Names and Functions

## (1) Input Signals

Signal Name	Pin No.	Function		Reference		
Common	/S-ON	40	Servo ON: Turns ON the servomotor when the gate block in the inverter is released.		8.3.1	
	/P-CON	41	Function selected by parameter.		–	
			Proportional control reference	Switches the speed control loop from PI (proportional/integral) to P (proportional) control when ON.	9.4.4	
			Direction reference	With the internally set speed selection: Switch the rotation direction.	8.8.2	
			Control mode switching	Position ↔ speed Position ↔ torque Torque ↔ speed	Enables control mode switching.	8.10.1 8.10.2
			Zero-clamp reference	Speed control with zero-clamp function: Reference speed is zero when ON.		8.5.6
			Reference pulse block	Position control with reference pulse stop: Stops reference pulse input when ON.	8.6.7	
	P-OT N-OT	42 43	Forward run prohibited Reverse run prohibited	Overtravel prohibited: Stops servomotor when movable part travels beyond the allowable range of motion.	8.3.3	
	/P-CL /N-CL	45 46	Function selected by parameter.		–	
			Forward external torque limit ON Reverse external torque limit ON	Current limit function enabled when ON.	8.9.2	
			Internal speed switching	With the internally set speed selection: Switches the internal speed settings.	8.8	
	/ALM-RST	44	Alarm reset: Releases the servo alarm state.		8.11.1	
	+24VIN	47	Control power supply input for sequence signals: Users must provide the +24 V power supply. Allowable voltage fluctuation range: 11 to 25 V		6.3.6	
	SEN	4 (2)	Initial data request signal when using an absolute encoder.		8.4.1	
	BAT (+) BAT (-)	21 22	Connecting pin for the absolute encoder backup battery. Do not connect when a battery is connected to the host controller.		8.4.1 6.2	
Speed	V-REF	5 (6)	Speed reference speed input: $\pm 2$ to $\pm 10$ V/rated motor speed (Input gain can be modified using a parameter.)		8.5.2	
Torque	T-REF	9 (10)	Torque reference input: $\pm 1$ to $\pm 10$ V/rated motor torque (Input gain can be modified using a parameter.)		8.7.2	
Position	PULS /PULS SIGN /SIGN	7 8 11 12	Reference pulse input for line driver and open collector	Input mode is set from the following pulses. <ul style="list-style-type: none"> <li>• Sign + pulse string</li> <li>• CCW/CW pulse</li> <li>• Two-phase pulse (90° phase differential)</li> </ul>	8.6.1	
	CLR /CLR	15 14	Positional error pulse clear input: Clears the positional error pulse during position control.		8.6.1	
	PL1 PL2 PL3	3 13 18	+12 V pull-up power is supplied when PULS, SIGN, and CLR reference signals are open-collector outputs (+12 V power supply is built into the SERVOPACK).		6.3.6	

Note: 1. Pin numbers in parentheses () indicate signal grounds.

2. The functions allocated to /S-ON, /P-CON, P-OT, N-OT, /ALM-RST, /P-CL, and /N-CL input signals can be changed by using the parameters. Refer to 7.3.2 *Input Circuit Signal Allocation*.

3. The voltage input range for speed and torque references is a maximum of  $\pm 12$  V.

## (2) Output Signals

Signal Name	Pin No.	Function	Reference	
Common	ALM+ ALM-	31 32	Servo alarm: Turns OFF when an error is detected.	8.11.1
	/TGON+ /TGON-	27 28	Detection during servomotor rotation: Detects when the servomotor is rotating at a speed higher than the motor speed setting. Detection speed can be set by using the parameters.	8.11.3
	/S-RDY+ /S-RDY-	29 30	Servo ready: ON if there is no servo alarm when the control/main circuit power supply is turned ON.	8.11.4
	PAO /PAO	33 (1) 34	Phase-A signal	Converted two-phase pulse (phases A and B) encoder output signal and zero-point pulse (phase C) signal: RS-422 or the equivalent (Proper line receiver is SN75175 manufactured by Texas Instruments or the equivalent corresponding to MC3486.)
	PBO /PBO	35 36	Phase-B signal	
	PCO /PCO	19 20	Phase-C signal	
	PSO /PSO	48 49	Phase-S signal	
	ALO1 ALO2 ALO3	37 38 39 (1)	Alarm code output: Outputs 3-bit alarm codes. Open-collector: 30 V and 20 mA rating maximum	8.11.1
	FG	Shell	Connected to frame ground if the shield wire of the I/O signal cable is connected to the connector shell.	–
Speed	/V-CMP+ /V-CMP-	25 26	Speed coincidence (output in Speed Control Mode): Detects whether the motor speed is within the setting range and if it matches the reference speed value.	8.5.8
Position	/COIN+ /COIN-	25 26	Positioning completed (output in Position Control Mode): Turns ON when the number of positional error pulses reaches the value set. The setting is the number of positional error pulses set in reference units (input pulse units defined by the electronic gear).	8.6.5
Reserved	/CLT /VLT /BK /WARN /NEAR	–	Reserved terminals The functions allocated to /TGON, /S-RDY, and /V-CMP (/COIN) can be changed by using the parameters. /CLT, /VLT, /BK, /WARN, and /NEAR signals can also be changed.	8.3.4 8.6.6 8.7.4 8.9.5 8.11.2
	–	16 17 23 24 50	Terminals not used Do not connect relays to these terminals.	–

Note: 1. Pin numbers in parentheses () indicate signal grounds.

2. The functions allocated to /TGON, /S-RDY, and /V-CMP (/COIN) can be changed by using the parameters. /CLT, /VLT, /BK, /WARN, and /NEAR signals can also be changed. Refer to 7.3.3 Output Circuit Signal Allocation.

### 6.3.6 Interface Circuit

This section shows examples of SERVOPACK I/O signal connection to the host controller.

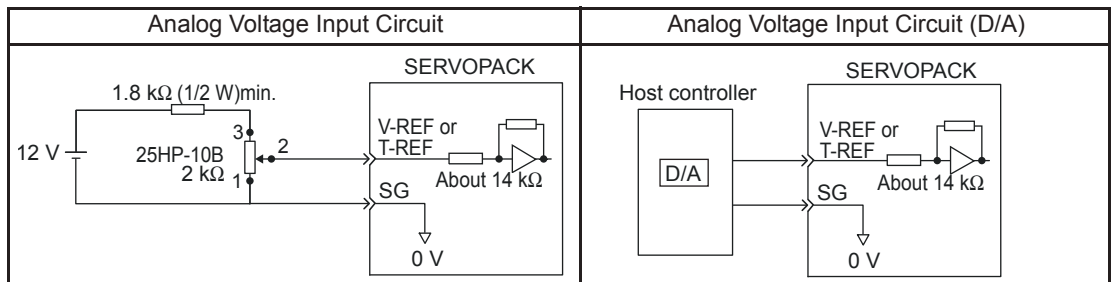
#### (1) Interface for Reference Input Circuits

##### (a) Analog Input Circuit

CN1 connector terminals, 5-6: Speed reference input and 9-10: Torque reference input are explained below. Analog signals are either speed or torque reference signals at the impedance below.

- Reference speed input: About 14 kΩ
- Reference torque input: About 14 kΩ

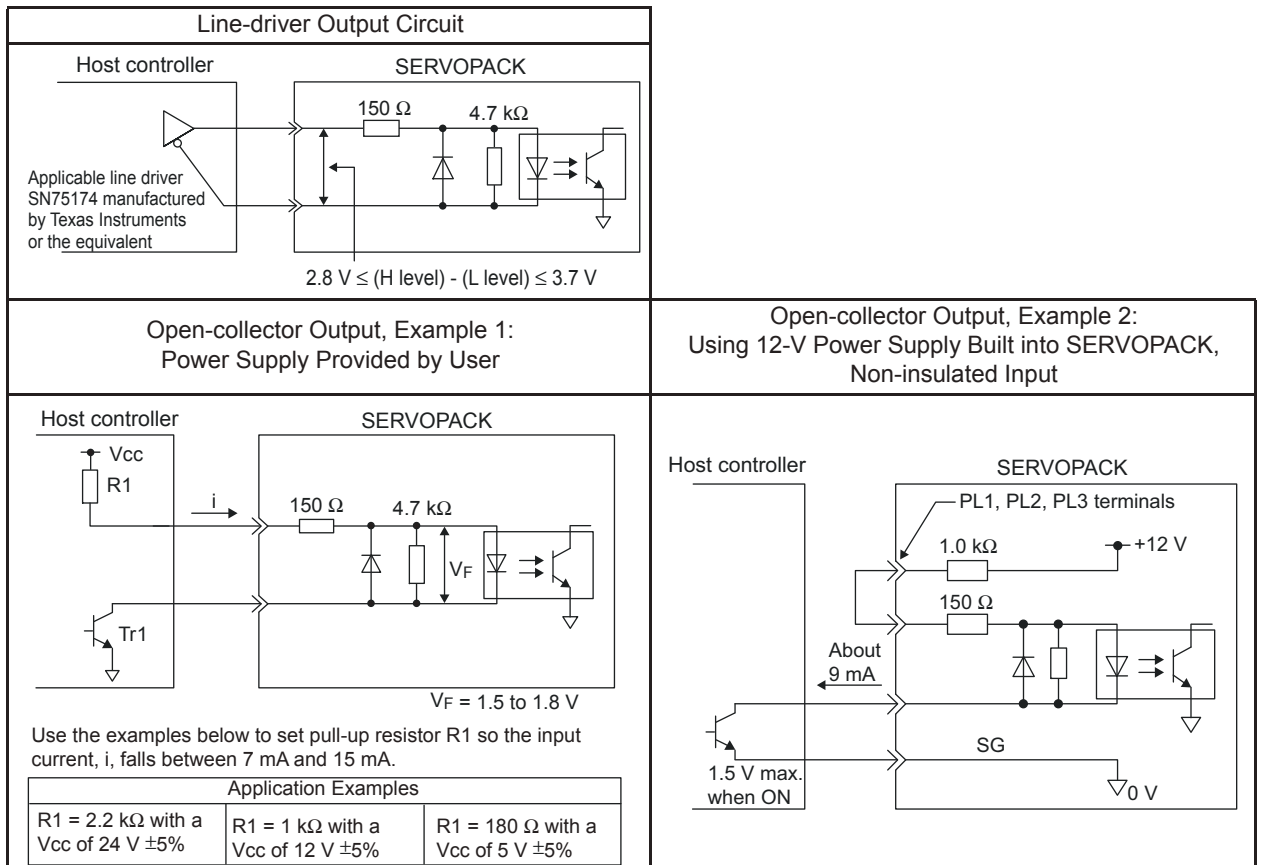
The maximum allowable voltages for input signals is ±12 V.



##### (b) Position Reference Input Circuit

CN1 connector terminals, 7-8: Reference pulse input, 11-12: Reference code input and 15-14: Clear input are explained below.

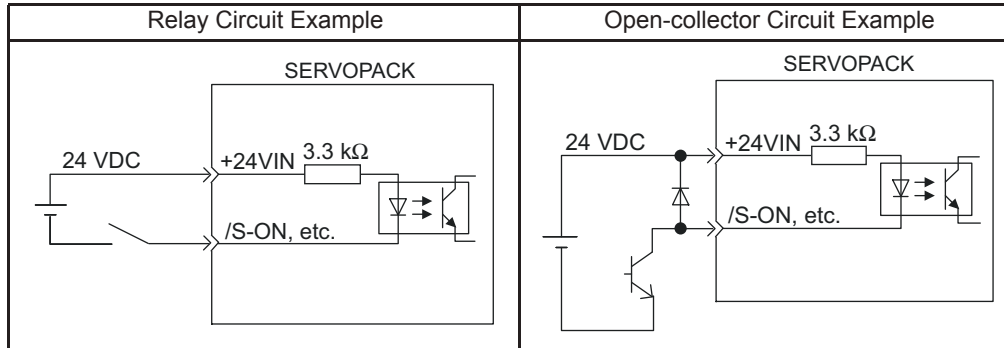
An output circuit for the reference pulse and position error pulse clear signal at the host controller can be either line-driver or open-collector outputs. The following shows by type.



## (2) Sequence Input Circuit Interface

CN1 connector terminals 40 to 47 is explained below.

The sequence input circuit interface connects through a relay or open-collector transistor circuit. Select a low-current relay otherwise a faulty contact will result.



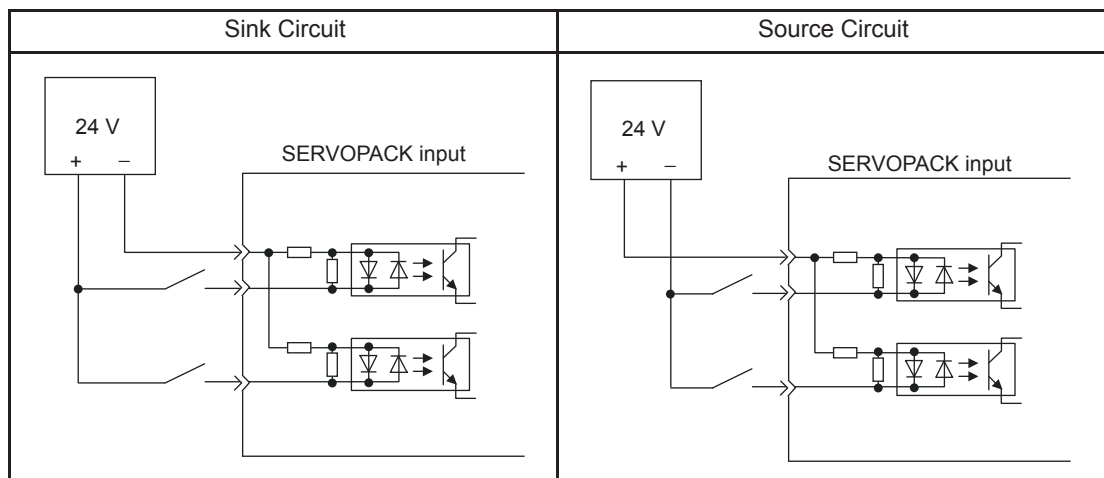
Note: The 24 VDC external power supply capacity must be 50 mA minimum.



For SEN input signal circuit, refer to 8.4 Absolute Encoders.

## (3) Sink Circuit and Source Circuit

The SERVOPACK's I/O circuit uses a bidirectional photocoupler. Select either the sink circuit or the source circuit according to the specifications required for each machine.



## (4) Output Circuit Interface

There are three types of SERVOPACK output circuits:

### (a) Line Driver Output Circuit

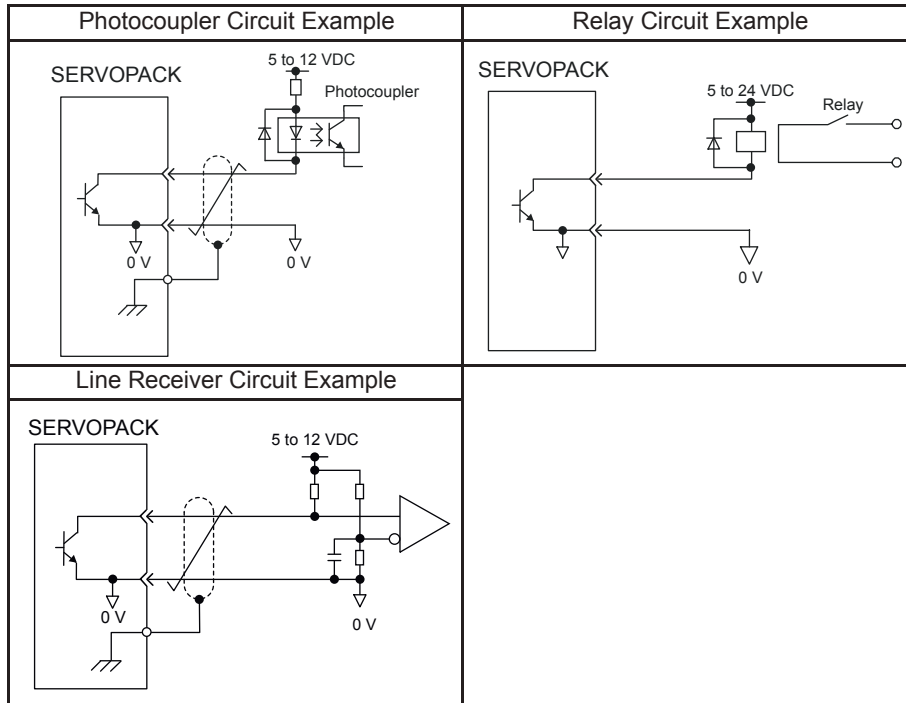
CN1 connector terminals, 33-34: phase-A signal, 35-36: phase-B signal and 19-20: phase-C signal are explained below.

Encoder serial data converted to two-phase (phases A and B) pulse output signals (PAO, /PAO, PBO, /PBO), zero-point pulse signals (PCO, /PCO), and the amount of phase-S rotation signal are output via line-driver output circuits. Normally, the SERVOPACK uses this output circuit in speed control to comprise the position control system at the host controller. Connect the line-driver output circuit through a line receiver circuit at the host controller.

**(b) Open-collector Output Circuit**

CN1 connector terminals 37 to 39: Alarm code output are explained below.

Alarm code signals (ALO1, ALO2, ALO3) are output from open-collector transistor output circuits. Connect an open-collector output circuit through a photocoupler, relay circuit, or line receiver circuit.

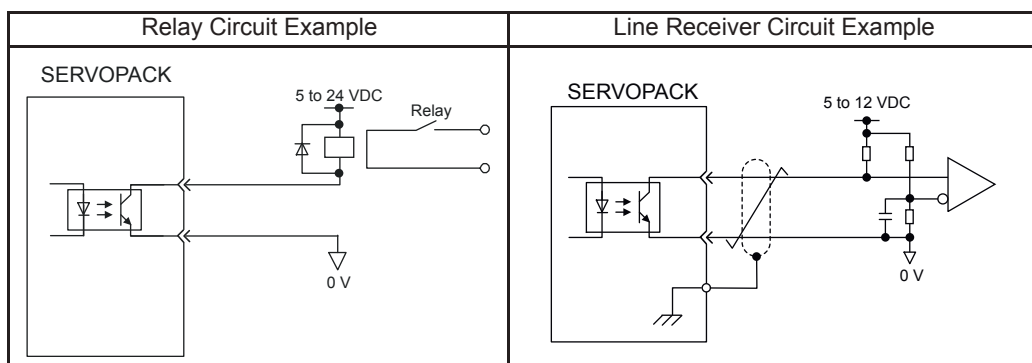


Note: The maximum allowable voltage and current capacities for open-collector output circuits are as follows:

- Voltage: 30 VDC
- Current: 20 mA DC

**(c) Photocoupler Output Circuit**

Photocoupler output circuits are used for servo alarm (ALM), servo ready (/S-RDY), and other sequence output signal circuits. Connect a photocoupler output circuit through a relay circuit or line receiver circuit.



Note: The maximum allowable voltage and current capacities for photocoupler output circuits are as follows:

- Voltage: 30 VDC
- Current: 50 mA DC

## 6.4 Others

### 6.4.1 Wiring Precautions

To ensure safe and stable operation, always observe the following wiring precautions.

#### IMPORTANT

1. For wiring for reference inputs and encoders, use the specified cables. Refer to *Chapter 5 Specifications and Dimensional Drawings of Cables and Peripheral Devices* for details.  
Use cables as short as possible.
2. For a ground wire, use as thick a cable as possible (2.0 mm<sup>2</sup> or thicker).
  - At least class-3 ground (100 Ω max.) is recommended.
  - Ground to one point only.
  - If the servomotor is insulated from the machine, ground the servomotor directly.
3. Do not bend or apply tension to cables.  
The conductor of a signal cable is very thin (0.2 to 0.3 mm), so handle the cables carefully.
4. Use a noise filter to prevent noise interference.  
(For details, refer to *6.4.2 Wiring for Noise Control*.)
  - If the equipment is to be used near private houses or may receive noise interference, install a noise filter on the input side of the power supply line.
  - Because the SERVOPACK is designed as an industrial device, it provides no mechanism to prevent noise interference.
5. To prevent malfunction due to noise, take the following actions:
  - Position the input reference device and noise filter as close to the SERVOPACK as possible.
  - Always install a surge absorber in the relay, solenoid and magnetic contactor coils.
  - The distance between a power line (such as a power supply line or servomotor cable) and a signal line must be at least 300 mm. Do not put the power and signal lines in the same duct or bundle them together.
  - Do not share the power supply with an electric welder or electrical discharge machine. When the SERVOPACK is placed near a high-frequency generator, install a noise filter on the input side of the power supply line.
6. Use a molded-case circuit breaker (QF) or fuse to protect the power supply line from high voltage.
  - The SERVOPACK connects directly to a commercial power supply without a transformer, so always use a QF or fuse to protect the SERVOPACK from accidental high voltage.
7. The SERVOPACKs do not have built-in ground protection circuits. To configure a safer system, install an earth leakage breaker for protection against overloads and short-circuiting, or install an earth leakage breaker combined with a wiring circuit breaker for ground protection.

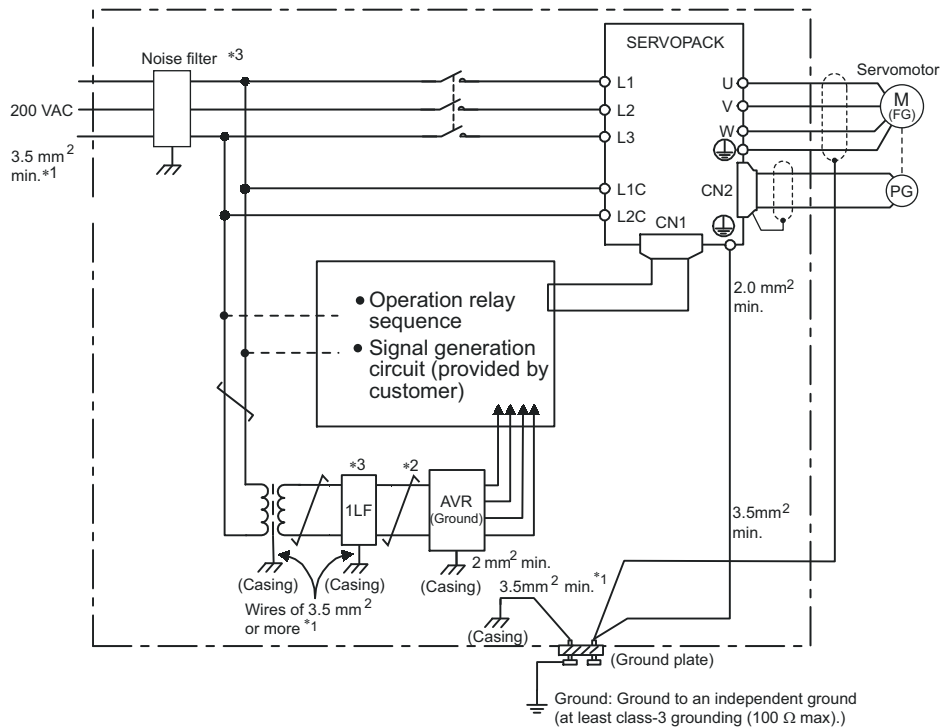
## 6.4.2 Wiring for Noise Control

### (1) Wiring Example


The SERVOPACK uses high-speed switching elements in the main circuit. It may receive “switching noise” from these high-speed switching elements if the processing of wiring or grounding around the SERVOPACK is not appropriate. To prevent this, always wire and ground the SERVOPACK correctly.

The SGDM SERVOPACK has a built-in microprocessor (CPU), so protect it from external noise as much as possible by installing a noise filter in the appropriate place.

The following is an example of wiring for noise control.



\*1 For ground wires connected to the casing, use a thick wire with a thickness of at least  $3.5 \text{ mm}^2$  (preferably, plain stitch copper wire)

\*2  : represents twisted-pair wires.

\*3 When using a noise filter, follow the precautions in 6.4.2 Wiring for Noise Control (3) Using Noise Filter.

### (2) Correct Grounding

#### (a) Grounding the Motor Frame

Always connect servomotor frame terminal FG to the SERVOPACK ground terminal  $\oplus$ . Also be sure to ground the ground terminal  $\oplus$ .

If the servomotor is grounded via the machine, a switching noise current will flow from the SERVOPACK power unit through servomotor stray capacitance. The above grounding is required to prevent the adverse effects of switching noise.

#### (b) Noise on the Reference Input Line

If the reference input line receives noise, ground the 0 V line (SG) of the reference input line. If the main circuit wiring for the motor is accommodated in a metal conduit, ground the conduit and its junction box.

For all grounding, ground at one point only.



### (3) Using Noise Filters

Use an inhibit type noise filter to prevent noise from the power supply line. The following table lists recommended noise filters for each SERVOPACK model.

Install a noise filter on the power supply line for peripheral equipment as necessary.

Voltage	SERVOPACK Model SGDM-	Recommended Noise Filters		
		Model	Specifications	Manufacturer
Single-phase 100 V	A3BD to -01BD A3BDA to -01BDA	FN2070-6/07	VAC Single-phase 250 VAC, 6A	Schaffner
	02BD, 02BDA	FN2070-10/07	VAC Single-phase 250 VAC, 10A	
Single-phase 200 V	A3AD to -02AD A3ADA to -02ADA	FN2070-6/07	VAC Single-phase 250 VAC, 6A	
	04AD, 04ADA	FN2070-10/07	VAC Single-phase 250 VAC, 10A	
Three-phase 200 V	05AD, 05ADA	FN258L-7/07	VAC Three-phase 480 VAC, 7A	
	08AD to -20AD 08ADA to -20ADA	FN258L-16/07	VAC Three-phase 480 VAC, 16A	
	30AD, 30ADA	FN258L-30/07	VAC Three-phase 480 VAC, 30A	
	50ADA, 60ADA	FMAC-0934-5010	VAC Three-phase 440 VAC, 50A	Schurter (formerly Timonta AG)
	75ADA	FMAC-0953-6410	VAC Three-phase 440 VAC, 64A	
	1AADA, 1EADA	FS5559-150-35	VAC Three-phase 480 VAC, 150A	Schaffner

#### IMPORTANT

##### ■ Noise Filter for Brake Power Supplies

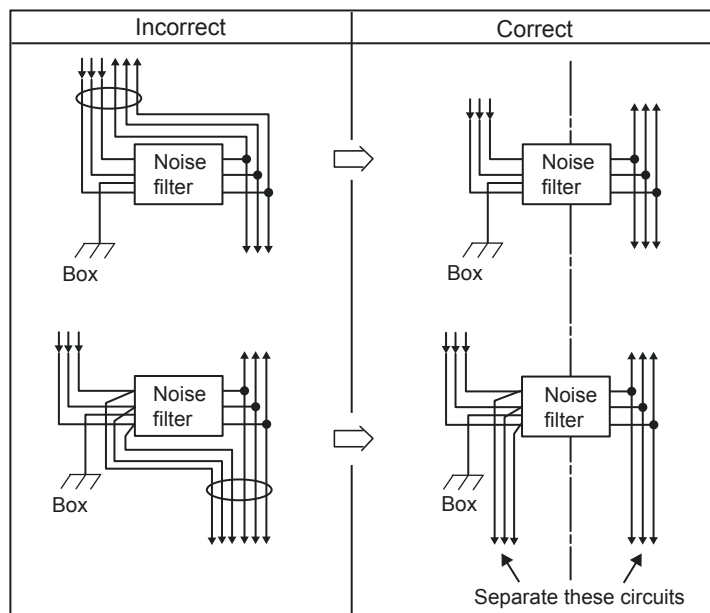
If the SERVOPACK has the holding brake less than 400 W, use the following model for the brake power supply input.

Noise filter model: FN2070-6/07 (Manufactured by SCHAFFNER)

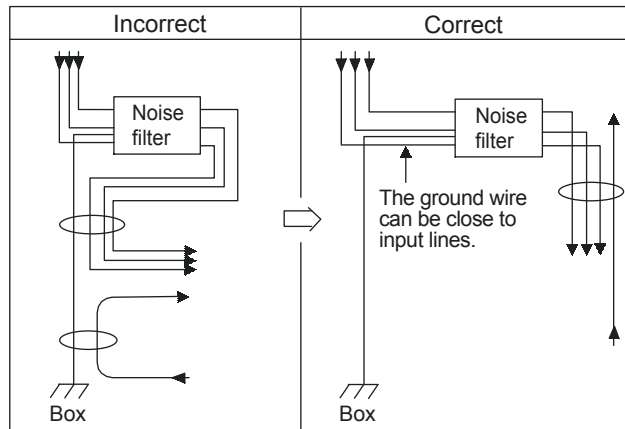
##### ■ Precautions when using noise filter

Always observe the following installation and wiring instructions. Incorrect use of a noise filter halves its benefits.

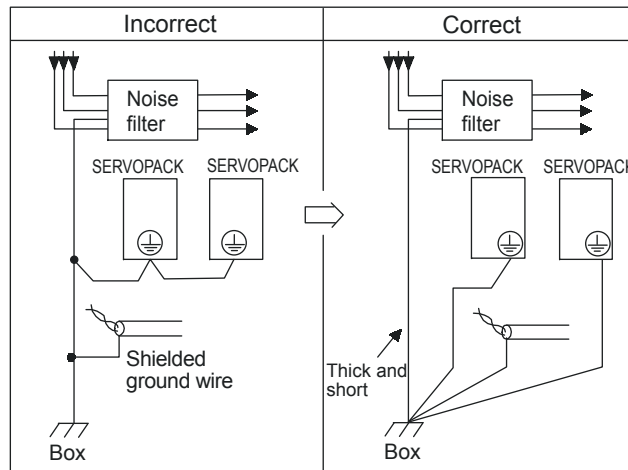
1. Do not put the input and output lines in the same duct or bundle them together.



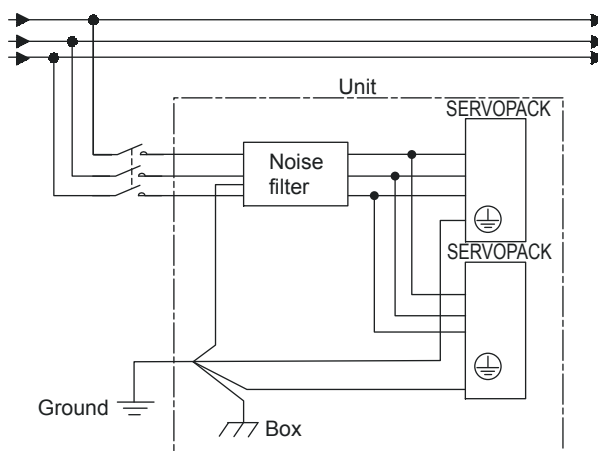
- Separate the noise filter ground wire from the output lines.  
Do not accommodate the noise filter ground wire, output lines, and other signal lines in the same duct or bundle them together.



- Connect the noise filter ground wire directly to the ground plate.  
Do not connect the noise filter ground wire to other ground wires.



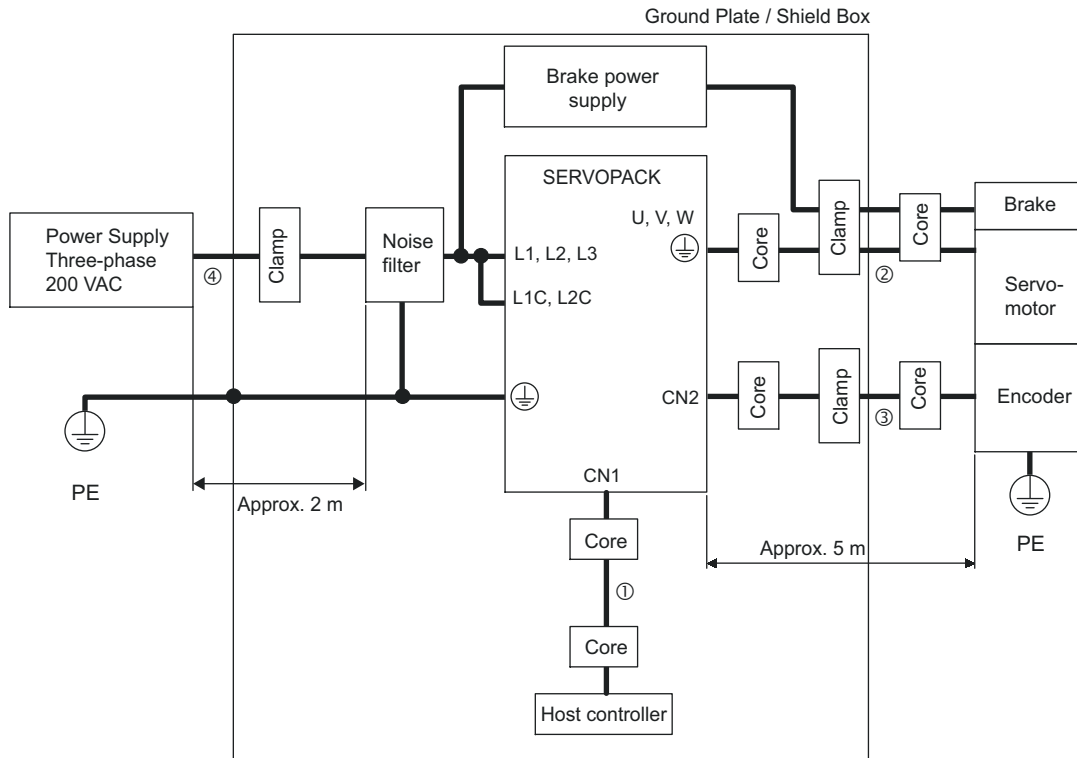
- When grounding a noise filter inside a unit:  
If a noise filter is located inside a unit, connect the noise filter ground wire and the ground wires from other devices inside the unit to the ground plate for the unit first, then ground these wires.





(b) Three-phase 200 V

SGDM-05AD (SGDM-05ADA) to -1EADA (Three-phase 200 VAC, 500 W to 15.0 kW)



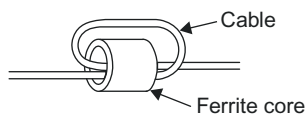
Symbol	Cable Name	Specifications
①	I/O Signals cable	Shield cable
②	Servomotor cable	Shield cable
③	Encoder cable	Shield cable
④	AC Line cable	Shield cable

(2) Cable Core and Cable Clamp

(a) Attaching the Ferrite Core

The diagram shows two turns in the cable.

The table shows the cable and the position where the ferrite core is attached.



Cable Name	Mounting Position of the Core
I/O signals cable	Near the host controller and the SERVOPACK.
Motor cable	Near the SERVOPACK and the servomotor.
Encoder cable	Near the SERVOPACK and the servomotor.

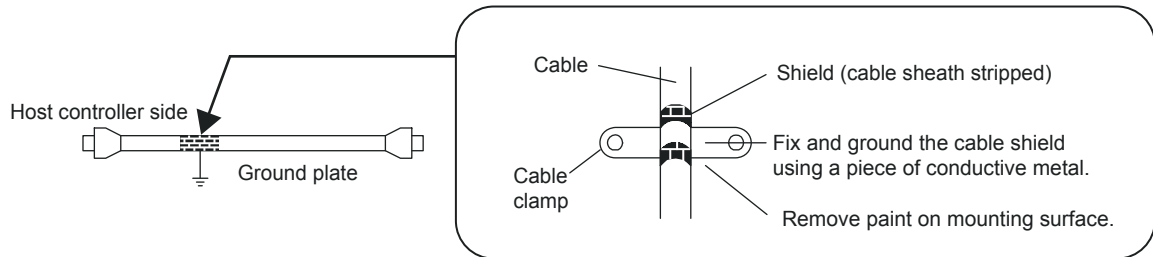
(b) Recommended Ferrite-core

Cable Name	Ferrite Core Model	Manufacturer
I/O signals cable	ESD-SR-25	Tokin. Corp.
Encoder cable		
Motor cable	400 W or less	PC40T96 × 20 × 70
	500 W or more	

**(c) Fixing the Cable**

Fix and ground the cable shield using a piece of conductive metal.

- Example of Cable Clamp

**(d) Shield Box**

A shield box, which is a closed metallic enclosure, should be used for shielding magnetic interference. The structure of the box should allow the main body, door, and cooling unit to be attached to the ground. The box opening should be as small as possible.

**6.4.4 Installation Conditions of UL Standards**

To adapt the following SERVOPACKs to UL Standards, use a corresponding terminal kit for cables to connect the terminals described in the table below.

SERVOPACK Model	Connection Terminals	Terminal Kit Model
SGDM-50ADA (-R)	L1, L2, L3 (Main circuit power supply input) U, V, W (Motor Output)	JZSP-CKT75
SGDM-60ADA (-P)		JZSP-CKT75
SGDM-75ADA (-P)		JZSP-CKT75
SGDM-1AADA (-P)		JZSP-CKT75
SGDM-1EADA (-P)		JZSP-CKT1E

**IMPORTANT****■ Main Circuit Wiring**

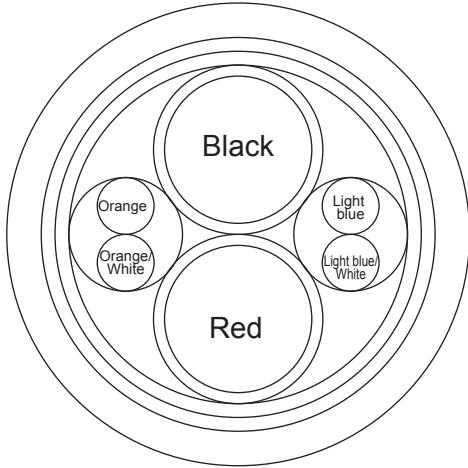
1. SGDM SERVOPACKs are suitable under the following conditions.
  - With 200 V class: Less than 5000 A<sub>rms</sub>, 240 V maximum.
  - With 400 V class: Less than 5000 A<sub>rms</sub>, 480 V maximum.
2. SERVOPACKs must be used with UL-listed fuses or circuit breakers, in accordance with the National Electrical Code (NEC).
3. Use 75°C heat-resistant copper wires or an equivalent.



## 6.4.6 Extending Encoder Cables

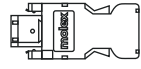
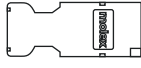
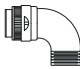

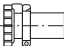

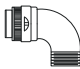
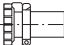

Standard encoder cables have a maximum length of 20 m. If a longer cable is required, prepare an extension cable as described below. The maximum allowable cable length is 50 m.

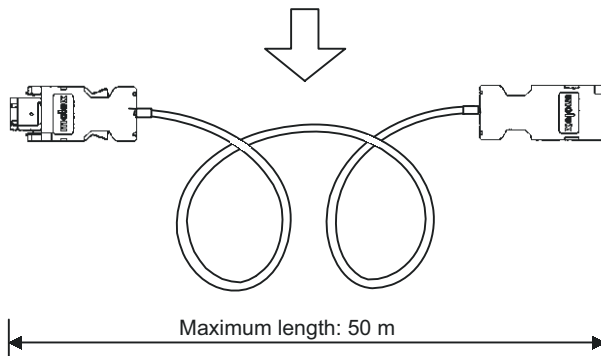
### (1) Specifications for User-modified Cables

Application	Fixed Type
Cable type*	JZSP-CMP19-□□
Cable length	50 m max.
Basic Specifications	UL20276 (Max. surrounding air temperature: 80°C) AWG16 × 2C + AWG26 × 2P AWG16 (1.31 mm <sup>2</sup> ) Insulation covered dimensions: φ 2.0 AWG26 (0.13 mm <sup>2</sup> ) Insulation covered dimensions: φ 0.91 mm
Finished Dimensions	φ 6.8 mm
Internal Configuration and Lead Color	
Yaskawa Standards Specifications (Standard Length)	Cable length: 30 m, 40 m, 50 m

\* Specify the cable length in □□ of cable type designation.  
(Example) JZSP-CMP19-30 (30 m)

## (2) Connectors and Connector kits for User-modified Encoder Cables

Name		Type	Specifications	Reference	
SERVOPACK end connector kit	SGMAH	JZSP-CMP9-1		5.5.1	
	SGMPH SGMGH SGMSH SGMDH				
Servomotor end connector kit	SGMAH	JZSP-CMP9-2		5.4.3	
	SGMPH			5.4.5	
				5.5.1	
	SGMGH SGMSH SGMDH	For standard environment	MS3108B20-29S*1	L-shaped plug 	5.4.4 5.5.2
			MS3106B20-29S*1	Straight plug 	5.4.4 5.5.2
			MS3057-12A*1	Cable clamp 	5.4.4 5.5.2
		For IP67 specification	JA06A-20-29S-J1-EB*2	Straight plug 	5.5.2
			JA08A-20-29S-J1-EB*2	L-shaped plug 	5.5.2
			JL04-2022CKE (09)*2 Cable diameter $\phi 6.5$ to $\phi 9.5$	Cable clamp 	5.5.2
			JL04-2022CKE (12)*2 Cable diameter $\phi 9.5$ to $\phi 13$		
JL04-2022CKE (14)*2 Cable diameter $\phi 12.9$ to $\phi 15.9$					
Cables	JZSP-CMP19-□	50 m max. 	5.5.1		



\* 1. Contact DDK Ltd.

\* 2. Contact Japan Aviation Electronics Industry, Ltd.



## 6.4.7 Operating Conditions on 400-V Power Supply Voltage

## ⚠ CAUTION

- Do not connect the SERVOPACK for 100 V and 200 V directly to a voltage of 400 V.  
The SERVOPACK will be destroyed.
- Control the AC power supply ON and OFF sequence at the primary side of voltage conversion transfer.  
Voltage conversion transfer inductance will cause a surge voltage if the power is turned ON and OFF at the secondary, damaging the SERVOPACK.

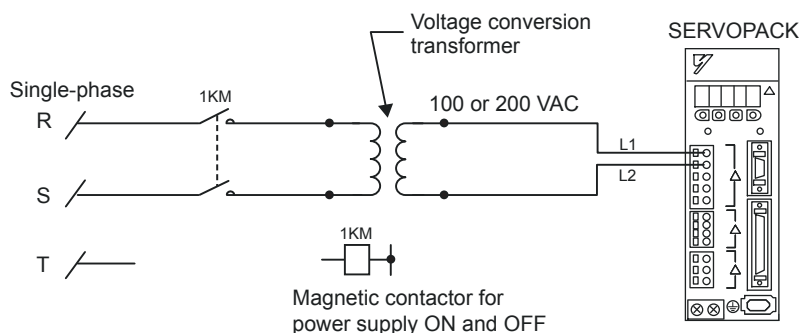
There are four types of SGDM SERVOPACKs, for the power supply voltages: Single-phase 100 VAC, single-phase 200 VAC, and three-phase 200 VAC. When using the SERVOPACK for 100 V or 200 V with the three-phase 400-VAC class (380 to 480 V), prepare the following voltage conversion transformers (single-phase or three-phase)

Primary Voltage		Secondary Voltage
380 to 480 VAC	→	200 VAC
380 to 480 VAC	→	100 VAC

When selecting a voltage conversion transformer, refer to the capacities shown in the following table.

Voltage	SERVOPACK Model SGDM-	Voltage Capacity per SERVOPACK * (kVA)	Current Capacity of Circuit Breaker or Fuse ( $A_{rms}$ )
Single-phase 100 V	A3BD, A3BDA	0.15	4
	A5BD, A5BDA	0.25	
	01BD, 01BDA	0.40	
	02BD, 02BDA	0.60	
Single-phase 200 V	A3AD, A3ADA	0.20	4
	A5AD, A5ADA	0.25	
	01AD, 01ADA	0.40	
	02AD, 02ADA	0.75	
	04AD, 04ADA	1.2	
Three-phase 200 V	05AD, 05ADA	1.4	7
	08AD, 08ADA	1.9	
	10AD, 10ADA	2.3	
	15AD, 15ADA	3.2	10
	20AD, 20ADA	4.3	
	30AD, 30ADA	5.9	17
	50ADA	7.5	
	60ADA	12.5	32
	75ADA	15.5	
	1AADA	22.7	60
1EADA	30.9		

\* This is the net value at the rated load.



Single-phase Power Supply Connection Example

[www.nicsanat.com](http://www.nicsanat.com)

021-87700210

## 6.4.8 DC Reactor for Harmonic Suppression

### (1) Reactor Types

The SERVOPACK has the DC reactor connection terminals for power supply harmonic suppression. However, SERVOPACKs with capacities of 6 kW or more do not have these terminals. The type of DC reactor to be connected differs depending on the SERVOPACK capacity. Refer to the following table.

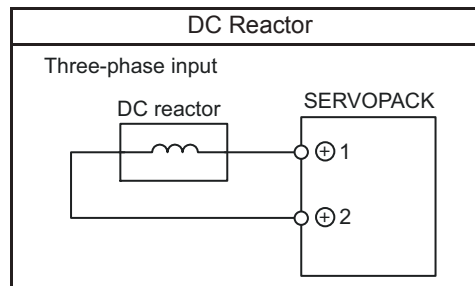
Applicable SERVOPACK Model SGDM-	DC Reactor Model	Reactor Specifications		
		Inductance (mH)	Rated Current (A)	
Single-phase 100 V	A3BD, A3BDA	–	–	
	A5BD, A5BDA	–	–	
	01BD, 01BDA	X5063	1.8	
	02BD, 02BDA	X5062	3.5	
Single-phase 200 V	A3AD, A3ADA	–	–	
	A5AD, A5ADA	–	–	
	01AD, 01ADA	X5071	0.85	
	02AD, 02ADA	X5070	1.65	
	04AD, 04ADA	X5069	3.3	
Three-phase 200 V	05AD, 05ADA	X5061	2.0	4.8
	08AD, 08ADA			
	10AD, 10ADA			
	15AD, 15ADA	X5060	1.5	8.8
	20AD, 20ADA			
	30AD, 30ADA	X5059	1.0	14.0
	50ADA	X5068	0.47	26.8

Note: Select a proper DC reactor for the input current to the SERVOPACK.

Refer to 2.5.2 *Molded-case Circuit Breaker and Fuse Capacity* for input current to each SERVOPACK. For the kind of reactor, refer to 5.8.14 *DC Reactor for Harmonic Suppression*.

### (2) Connecting a Reactor

Connect a DC reactor as shown in the following diagram. The DC reactor is connected in series to the rectifier circuit's output side.



Note: 1. The SERVOPACK ⊕1 and ⊕2 terminals for the DC reactor are short-circuited before shipment.

Remove the lead wire between these two terminals and connect the DC reactor with SERVOPACK.

2. DC reactor is an option (Provided by customer).

## 6.5 Connecting Regenerative Resistors

### 6.5.1 Regenerative Power and Regenerative Resistance

The rotational energy of driven machine such as servomotor is returned to the SERVOPACK. This is called regenerative power. The regenerative power is absorbed by charging the smoothing capacitor, but when the power exceeds the capacitor's chargeable energy, the regenerative power is further consumed by the regenerative resistor.

The servomotor is driven in regeneration state in the following circumstances:

- While decelerating to a stop during acceleration and deceleration operation.
- Continuous falling operation on the vertical axis.
- During continuous operation with the servomotor rotated from the load side (negative load).

The SERVOPACKs with a capacity of the single-phase 200 V with 30 to 400 W or 100 V with 30 to 200 W do not have built-in regenerative resistors. If the operation exceeds the rotating speed specifications shown in the 4.5.3 *Load Moment of Inertia*, connect an external regenerative resistor.

### 6.5.2 Connecting External Regenerative Resistors

#### (1) Necessity of External Regenerative Resistors

SERVOPACK Capacity	Necessity of External Regenerative Resistors	Explanation
400 W or less	Not Required	No built-in regenerative resistor is provided, however, normally an external regenerative resistor is not required. Install external regenerative resistors when the smoothing capacitor in SERVOPACK cannot process all the regenerative power.
500 W to 5.0 kW	Not Required	A built-in regenerative resistor is provided as standard. Install external regenerative resistors when the built-in regenerative resistor cannot process all the regenerative power.
6.0 to 15.0 kW	Required	No built-in regenerative resistor is provided, so the external regenerative resistor is required. If the external regenerative resistor is not connected with the SERVOPACK, the alarm30 is detected as a regeneration error alarm.

#### (2) Specifications of Built-in Regenerative Resistor

If the amount of regenerative energy exceeds the processing capacity of the SERVOPACK, then install an external regenerative resistor. The following table shows the specifications of the SERVOPACK's built-in resistor and the amount of regenerative power (average values) that it can process.

Applicable SERVOPACKs SGDM-		Specifications of Build-in Resistor		Regenerative Power Processed by Built-in Resistor *1 (W)	Minimum Allowable Resistance (Ω)
		Resistance (Ω)	Capacity (W)		
Single-phase 100 V	A3BD to -02BD, A3BDA to -02BDA	–	–	–	40
Single-phase 200 V	A3AD to -04AD, A3ADA to -04ADA	–	–	–	40
Three-phase 200 V	05AD to -10AD, 05ADA to -10ADA	50	60	12	40
	15AD, 15ADA	30	70	14	20
	20AD, 20ADA	25	140	28	12
	30AD, 30ADA	12.5	140	28	12
	50ADA	8	280	56	8
	60ADA	(6.25) *2	(880) *2	(180) *2	5.8
75ADA to -1EADA	(3.13) *3	(1760) *3	(350) *3	2.9	

\* 1. The average regenerative power that can be handled is 20% of the rated capacity of the regenerative resistor built into the SERVOPACK.

\* 2. The values in parentheses are for the optional JUSP-RA04 Regenerative Resistor. [www.nicsanat.com](http://www.nicsanat.com)

\* 3. The values in parentheses are for the optional JUSP-RA05 Regenerative Resistor. **021-87700210**

### (3) Precautions on Selecting External Regenerative Resistors

A built-in regenerative resistor is provided for 500 W to 5.0 kW SGDM SERVOPACKs as standard.

When installing an external regenerative resistor with the SERVOPACK, make sure that the resistance is the same as that of the SERVOPACK's built-in resistor.

If combining multiple small-capacity regenerative resistors to increase the regenerative resistor capacity (W), select resistors so that the resistance value including error is at least as high as the minimum allowable resistance shown in the following table.

Connecting a regenerative resistor with the resistance smaller than the minimum allowable resistance may increase the current flow in the regeneration circuit, resulting in damage to the circuit.

### (4) Parameter Setting

Pn600	Regenerative Resistor Capacity			Speed	Position	Torque
	Setting Range	Unit	Factory Setting	Setting Validation		
	0 to SERVOPACK capacity	10 W	0	Immediately		

Be sure to set this parameter when installing an external regenerative resistor with the SERVOPACK.  
 With the factory setting of "0," the SERVOPACK's built-in resistor is used.  
 Set the regenerative resistor capacity within tolerance value. When the set value is improper, alarm A.32 is not detected correctly. Also, do not set other than 0 without connecting the regenerative resistor because alarm A.30 or A.33 may be detected.

The set value differs depending on the cooling method of external regenerative resistor:

- For natural air cooling method: Set the value maximum 20% of the actually installed regenerative resistor capacity (W).
- For forced air cooling method: Set the value maximum 50% of the actually installed regenerative resistor capacity (W).

For example, set 20 W (100 W × 20%) for the 100 W external regenerative resistor with natural cooling method: Pn600 = 2 (units: 10 W)

#### IMPORTANT

1. When resistors for power are used at the rated load ratio, the resistor temperature increases to between 200°C and 300°C. The resistors must be used at or below the rated values. Check with the manufacturer for the resistor's load characteristics. Use the regenerative resistors at no more than 20% of the rated load ratio with natural convection cooling, and no more than 50% of the rated load ratio with forced air cooling.
2. For safety's sake, use the resistors with thermoswitches.

## (5) Connecting Regenerative Resistors

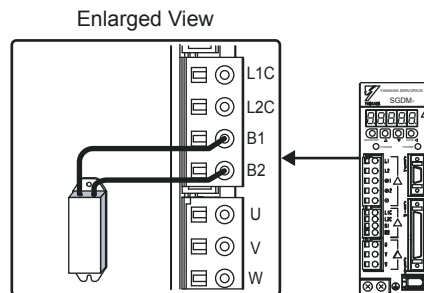
**IMPORTANT**

Do not touch the regenerative resistors because they reach high temperatures. Use heat-resistant, non-flammable wiring and make sure that the wiring does not touch the resistors. Refer to 5.3 *SERVOPACK Main Circuit Wire Size* for connecting wire size when connecting an external regenerative resistor.

## (a) SERVOPACKs with Capacities of 400W or Less

Connect an external regenerative resistor between B1 and B2 terminals.

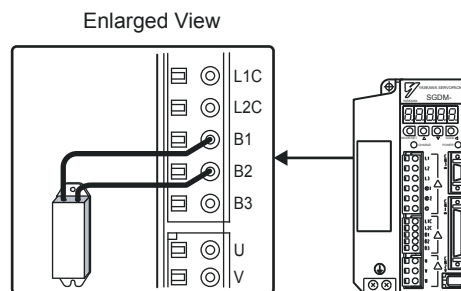
Note: The user must provide the regenerative resistor.



## (b) SERVOPACKs with Capacities of 0.5 to 5.0 kW

Disconnect the wiring between the SERVOPACK's B2 and B3 terminals and connect an external regenerative resistor between the B1 and B2 terminals. The user must provide the regenerative resistor.

Note: Be sure to remove the lead wire between the B2 and B3 terminals.

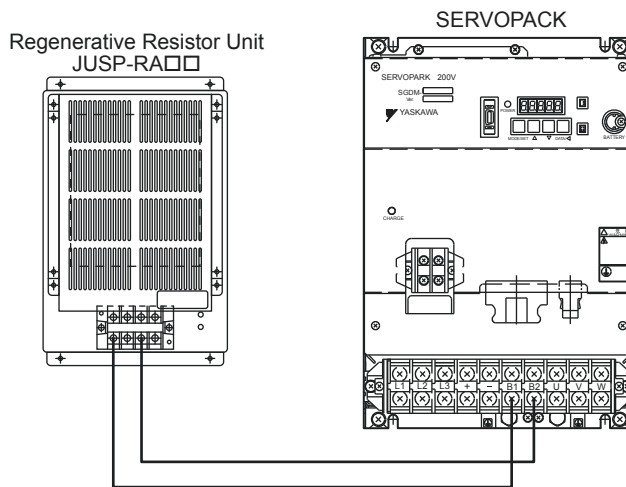


## (c) SERVOPACK's with Capacities of 6.0 kW or More

No built-in regenerative resistor is provided, so the external regenerative resistor is required. The special regenerative resistor units are as follow:

Main Circuit Power Supply	Applicable SERVOPACK Model SGDM-	Applicable Regenerative Resistor Unit	Resistance ( $\Omega$ )	Specifications
Three-phase 200 V	60ADA	JUSP-RA04	6.25	$25 \Omega$ (220 W) $\times$ 4 (parallel connection)
	75ADA to -1EADA	JUSP-RA05	3.13	$25 \Omega$ (220 W) $\times$ 8 (parallel connection)

The following diagram shows the connection method between the SERVOPACK and the regenerative resistor unit.



Note: Connect a regenerative resistor unit between B1 and B2 terminals. The regenerative resistor unit is provided by the customer.

## Digital Operator/Panel Operator

7.1 Functions on Digital Operator/Panel Operator	7-2
7.1.1 Connecting the Digital Operator	7-2
7.1.2 Key Names and Functions	7-3
7.1.3 Basic Mode Selection and Operation	7-4
7.1.4 Status Display	7-5
7.2 Operation in Utility Function Mode (Fn□□□)	7-7
7.2.1 List of Utility Function Modes	7-7
7.2.2 Alarm Traceback Data Display (Fn000)	7-8
7.2.3 Zero-point Search Mode (Fn003)	7-9
7.2.4 Parameter Settings Initialization (Fn005)	7-10
7.2.5 Alarm Traceback Data Clear (Fn006)	7-11
7.2.6 Manual Zero-adjustment of Analog Monitor Output (Fn00C)	7-12
7.2.7 Manual Gain-adjustment of Analog Monitor Output (Fn00D)	7-13
7.2.8 Automatic Offset-adjustment of Motor Current Detection Signal (Fn00E)	7-14
7.2.9 Manual Offset-adjustment of Motor Current Detection Signal (Fn00F)	7-15
7.2.10 Password Setting (Protects Parameters from Being Changed) (Fn010)	7-16
7.2.11 Motor Models Display (Fn011)	7-17
7.2.12 Software Version Display (Fn012)	7-18
7.3 Operation in Parameter Setting Mode (Pn□□□)	7-19
7.3.1 Setting Parameters	7-19
7.3.2 Input Circuit Signal Allocation	7-23
7.3.3 Output Circuit Signal Allocation	7-26
7.4 Operation in Monitor Mode (Un□□□)	7-28
7.4.1 List of Monitor Modes	7-28

## 7.1 Functions on Digital Operator/Panel Operator

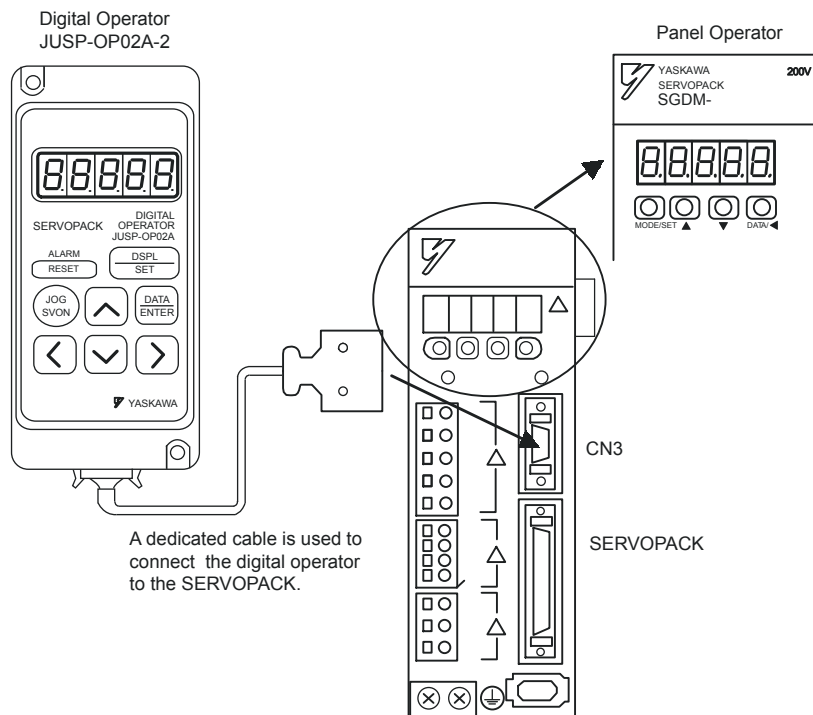
This section describes the basic operations of the digital operator (hereinafter called the digital operator) and the panel operator (hereinafter called the panel operator) for setting the operating conditions. Set parameters and JOG operation, and display status using these operators. For the operation of the digital operator (Model: JUSP-OP02A-2), refer to  $\Sigma$ -II Series SGM□H/SGDM Digital Operator Operation Manual (TOE-S800-34).

The hand-held digital operator for the  $\Sigma$ -I series (model: JUSP-OP02-1) can be used for SGDM SERVOPACKs, but a connection cable for the  $\Sigma$ -I series digital operator is required. For details, refer to 5.8.2 *Digital Operator*.

### 7.1.1 Connecting the Digital Operator

Two types of digital operators are available. One is a built-in operator that has a panel indicator and switches located on the front panel of the SERVOPACK. This type of digital operator is also called a panel operator. The other one is a hand-held operator (JUSP-OP02A-2 digital operator), which can be connected to the SERVOPACK with connector CN3 of the SERVOPACK.

There is no need to turn OFF the SERVOPACK to connect this hand-held operator to the SERVOPACK. Refer to the following illustrations to connect the digital operator to the SERVOPACK.



#### IMPORTANT


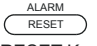
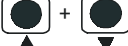
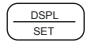











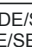
If the digital operator is connected to the SERVOPACK, the panel operator does not display anything.



## 7.1.2 Key Names and Functions

Key names and functions for the digital operator and the panel operator are explained below.

Set parameters and JOG operation, and display status using the panel operator.

	Key		Function
	Digital Operator	Panel Operator	
 <p>Digital Operator</p> <p>SERVOPACK</p> <p>Panel Operator</p>	 (RESET Key)	 Press simultaneously	To reset the servo alarm. Note 1. The servo alarm can be reset by /ALM-RST (CN1-44) input signal. 2. The servo alarm need not be reset if the control power supply is turned OFF.
	 (DSPL/SET Key)	 MODE/SET (MODE/SET Key)	To select a basic mode, such as the status display mode, utility function mode, parameter setting mode, or monitor mode. Can be also used to set the data.
	 (DATA/ENTER Key)	 DATA/ (DATA/SHIFT Key)	To display parameter setting and set value.
	 (UP Key)	 (UP Key)	Press the UP Key to increase the set value. For JOG operation, this key is used as Forward Run Start Key.
	 (DOWN Key)	 (DOWN Key)	Press the DOWN Key to decrease the set value. For JOG operation, this key is used as Reverse Run Start Key.
	 (RIGHT Key)	-	Press the RIGHT Key to shift to the next digit on the right.
	 (LEFT Key)	 DATA/ (DATA/SHIFT Key)	Press the LEFT or DATA/SHIFT Key to shift to the next digit on the left.
	 (SVON Key)	 MODE/SET (MODE/SET Key)	Press the SVON or MODE/SET Key to perform servo ON/OFF in the JOG operation with the operator.

### IMPORTANT

When an alarm occurs, remove the cause, and then reset the alarm. Refer to *11.1 Troubleshooting*.

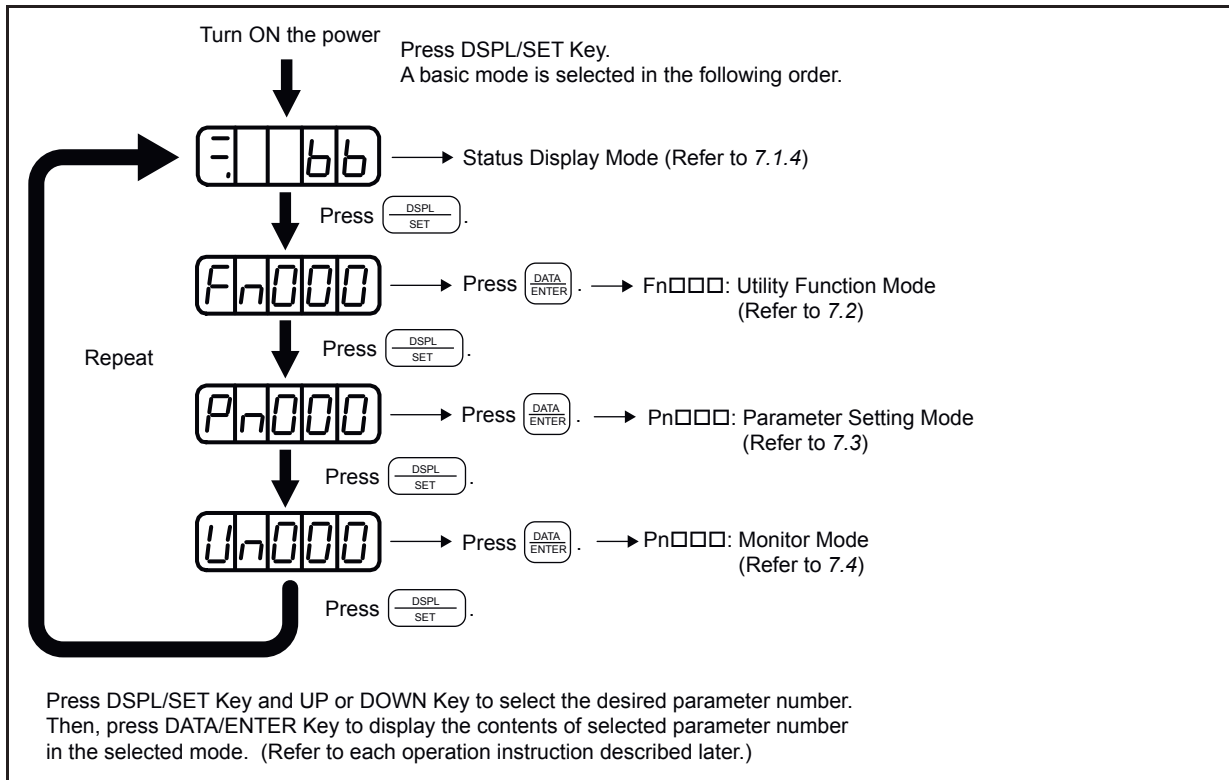
### 7.1.3 Basic Mode Selection and Operation

The basic modes include: Status display mode, Utility Function Mode, Parameter Setting Mode, and Monitor Mode.

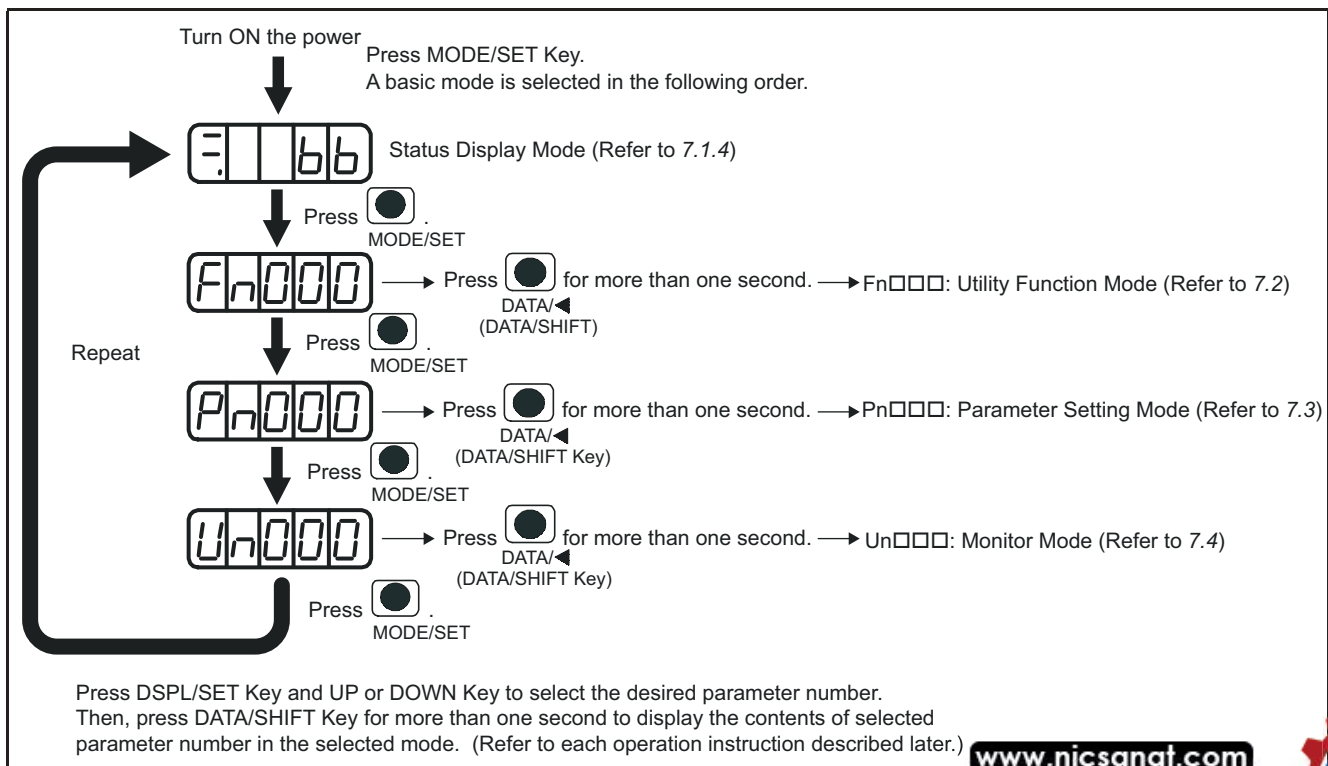
Select a basic mode to display the operation status, set parameters and operation references.

The basic mode is selected in the following order.

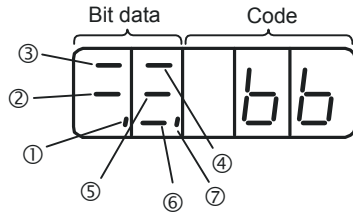
#### (1) Using the Digital Operator



#### (2) Using the Panel Operator




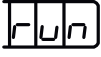
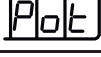


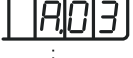
## 7.1.4 Status Display



## (1) Bit Data and Meanings

Item	Speed or Torque Control Mode		Position Control Mode	
	Bit Data	Meaning	Bit Data	Meaning
①	Control Power ON	Lit when SERVOPACK control power is ON.	Control Power ON	Lit when SERVOPACK control power supply is ON.
②	Baseblock	Lit for baseblock. Not lit when servo is ON.	Baseblock	Lit for baseblock. Not lit when servo is ON.
③	Speed Coincidence (/V-CMP)	Lit when the difference between the motor speed and reference speed is the same as or less than the value set in Pn503. (Factory setting is 10 min <sup>-1</sup> .) * Always lit in torque control mode.	Positioning Completion (/COIN)	Lit if error between position reference and actual motor position is below preset value. Not lit if error between position reference and actual motor position exceeds preset value. Preset value: Set in Pn500 (Factory setting is 7 pulses.)
④	Rotation Detection (/TGON)	Lit if motor speed exceeds preset value. Not lit if motor speed is below preset value. Preset value: Set in Pn502 (Factory setting is 20 min <sup>-1</sup> .)	Rotation Detection (/TGON)	Lit if motor speed exceeds preset value. Not lit if motor speed is below preset value. Preset value: Set in Pn502 (Factory setting is 20 min <sup>-1</sup> .)
⑤	Speed Reference Input	Lit if input speed reference exceeds preset value. Not lit if input speed reference is below preset value. Preset value: Set in Pn502 (Factory setting is 20 min <sup>-1</sup> .)	Reference Pulse Input	Lit if reference pulse is input. Not lit if no reference pulse is input.
⑥	Torque Reference Input	Lit if input torque reference exceeds preset value. Not lit if input torque reference is below preset value. Preset value: 10% of rated torque	Error Counter Clear Signal Input	Lit when error counter clear signal is input. Not lit when error counter clear signal is not input.
⑦	Power Ready	Lit when main circuit power supply is ON and normal. Not lit when main circuit power supply power is OFF.	Power Ready	Lit when main circuit power supply is ON and normal. Not lit when main circuit power supply power is OFF.

## (2) Codes and Meanings

Code	Meaning
	Baseblock Servo OFF (motor power OFF)
	Run Servo ON (motor power ON)
	Forward Run Prohibited CN1-42 (P-OT) is OFF.
	Reverse Run Prohibited CN1-43 (N-OT) is OFF.
	Alarm Status
	Displays the alarm number.

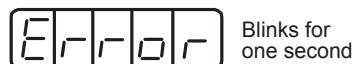
## 7.2 Operation in Utility Function Mode (Fn□□□)

### 7.2.1 List of Utility Function Modes

This section describes how to apply the basic operations using the panel operator to run and adjust the motor. The following table shows the parameters in the utility function mode.

Parameter No.	Function	Remarks	Reference Section
Fn000	Alarm traceback data display	–	7.2.2
Fn001	Rigidity setting during online autotuning	○	9.2.4
Fn002	JOG mode operation	○	8.1.1
Fn003	Zero-point search mode	○	7.2.3
Fn004	Fixed parameter	○	–
Fn005	Parameter setting initialization	○	7.2.4
Fn006	Alarm traceback data clear	○	7.2.5
Fn007	Writing to EEPROM moment of inertia ratio data obtained from online auto-tuning	○	9.2.7
Fn008	Absolute encoder multiturn reset and encoder alarm reset	○	8.4.5
Fn009	Automatic tuning of analog (speed, torque) reference offset	○	8.5.3 8.7.3
Fn00A	Manual adjustment of speed reference offset	○	8.5.3
Fn00B	Manual adjustment of torque reference offset	○	8.7.3
Fn00C	Manual zero-adjustment of analog monitor output	○	7.2.6
Fn00D	Manual gain-adjustment of analog monitor output	○	7.2.7
Fn00E	Automatic offset-adjustment of motor current detection signal	○	7.2.8
Fn00F	Manual offset-adjustment of motor current detection signal	○	7.2.9
Fn010	Password setting (protects parameters from being changed)	–	7.2.10
Fn011	Motor models display	–	7.2.11
Fn012	Software version display	–	7.2.12
Fn013	Multiturn limit setting change when a Multiturn Limit Disagreement Alarm (A.CC) occurs	○	8.4.8

Note: When the parameters marked with “○” in remarks column or in Pn□□□ are set for Password Setting (Fn010), the indication shown below appears and such parameters cannot be changed.



## 7.2.2 Alarm Traceback Data Display (Fn000)

The alarm traceback display can display up to 10 previously occurred alarms. The alarm data is displayed on Fn000, which is stocked in the alarm traceback data. The data can be cleared using an utility function mode “Alarm Traceback Data Clear.” For details, refer to 7.2.5 *Alarm Traceback Data Clear (Fn006)*.

The alarm traceback data is not cleared on alarm reset or when the SERVOPACK power is turned OFF. This does not adversely affect operation.



Alarm Sequence Number  
The higher the number,  
the older the alarm data is.

Alarm Code  
See the alarm  
table.

The following alarm are operator-related alarms which are not recorded in the traceback data.

Display	Description
	Digital operator transmission error 1
	Digital operator transmission error 2

Refer to 11.1 *Troubleshooting* for alarm number and contents.



1. Alarm traceback data will not be updated when the same alarm occurs repetitively.
2. The display “A.--” means no alarm occurs.

Follow the procedure below to confirm alarms which have been generated.

Step	Display after Operation	Digital Operator	Panel Operator	Description
1		 (DSPL/SET Key)	 (MODE/SET Key)	Press the DSPL/SET or MODE/SET Key to select “Alarm Traceback Data Display (Fn000).” If a number other than Fn000 is displayed, press UP Key or DOWN Key to set Fn000. Note: The enabled digit blinks.
2		 (DATA/ENTER Key)	 (DATA/SHIFT Key) (Press at least 1 s.)	Press the DATA/ENTER Key once, or DATA/SHIFT Key for more than one second. The latest alarm data is displayed.
3		 (UP Key)	 (UP Key)	Press the UP Key to display the data for a previous alarm. (To display one newer alarm data, press DOWN Key.) Note: The higher the digit on the far left, the older the alarm data is.
4		 (UP Key)	 (UP Key)	Press the UP Key to display value in order. Note: “A.--” means no alarm occurs.
5		 (DATA/ENTER Key)	 (DATA/SHIFT Key) (Press at least 1 s.)	Press the DATA/ENTER Key once, or DATA/SHIFT Key for more than one second. The display will return to Fn000.

## 7.2.3 Zero-point Search Mode (Fn003)

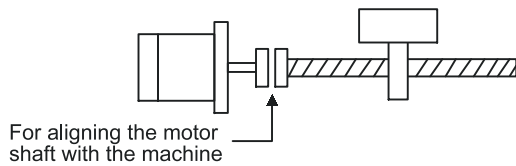
**⚠ CAUTION**

- Forward run prohibited (P-OT) and reverse run prohibited (N-OT) signals are disabled during zero-point search mode operations using Fn003.

The zero-point search mode is designed to perform positioning to the zero-point pulse (phase-C) position of the encoder and to clamp at the position.

This mode is used when the motor shaft needs to be aligned to the machine.

Execute the zero-point search without connecting the motor shaft with the machine.



The speed for executing the zero-point search is  $60 \text{ min}^{-1}$ .

The following conditions must be met to perform the zero-point search operation.

- If the Servo-ON input signal (/S-ON) is ON, turn it OFF.
- Release the Servo-ON signal mask if the parameter Pn 50A.1 is set to 7, and the servo has been set to always be ON.

Follow the procedure below to execute the zero-point search.

Step	Display after Operation	Digital Operator	Panel Operator	Description
1	Fn000	(DSPL/SET Key)	(MODE/SET Key)	Press the DSPL/SET or MODE/SET Key to select the utility function mode.
2	Fn003			Press the UP or DOWN Key to select the Fn003. Note: The enabled digit blinks.
3	- . . C S r	(DATA/ENTER Key)	(DATA/SHIFT Key) (Press at least 1 s.)	Press the DATA/ENTER Key once, or DATA/SHIFT Key for more than one second, and the display will be as shown on the left.
4	. . . C S r	(SVON Key)	(MODE/SET Key)	Press the SVON or MODE/SET Key. The servo turns ON.
5	. . . C S r			When the parameter is set to Pn000.0 = 0 (default), pressing the UP Key will rotate the motor in the forward direction. Pressing the DOWN Key will rotate the motor in the reverse direction. When the parameter is set to Pn000.0 = 1, the rotation direction of the motor is reversed.
6	. . . C S r	Display blinks.		When the motor zero-point search is completed, the display blinks. At this moment, the motor is servo-locked at the zero-point pulse position.
7	Fn003	(DATA/ENTER Key)	(DATA/SHIFT Key) (Press at least 1 s.)	Press the DATA/ENTER Key once, or DATA/SHIFT Key for more than one second. Fn003 display appears again. The motor will be servo OFF status.



Forward run prohibited (P-OT) and reverse run prohibited (N-OT) signals cannot be input during the zero-point search operation.

## 7.2.4 Parameter Settings Initialization (Fn005)

This function is used when returning to the factory settings after changing parameter settings.

Pressing the DSPL/SET or MODE/SET Key during servo ON does not initialize the parameter settings.

After initialization, turn OFF the power supply and then turn ON again.

### IMPORTANT

Initialize the parameter settings with the servo OFF.

Step	Display after Operation	Digital Operator	Panel Operator	Description
1		 (DSPL/SET Key)	 MODE/SET (MODE/SET Key)	Press the DSPL/SET or MODE/SET Key to select the utility function mode.
2				Press the UP or DOWN Key to select Fn005. Note: The enabled digit blinks.
3		 (DATA/ENTER Key)	 DATA (DATA/SHIFT Key) (Press at least 1 s.)	Press the DATA/ENTER Key once, or DATA/SHIFT Key for more than one second, and the display will be as shown on the left.
4		 (DSPL/SET Key)	 MODE/SET (MODE/SET Key)	Press the DSPL/SET or MODE/SET Key. Then, the parameters will be initialized. During initialization, the display shown on the left blinks.
5		End of initialization		When the initialization of parameter setting completes, the display shown on the left blinks for about one second.
6		After about one second		The display changes from “donE” to the display shown on the left.
7		 (DATA/ENTER Key)	 DATA (DATA/SHIFT Key) (Press at least 1 s.)	Press the DATA/ENTER Key once, or DATA/SHIFT Key for more than one second to return to the utility function mode display Fn005.



### 7.2.5 Alarm Traceback Data Clear (Fn006)

This function clears the alarm traceback data, which stores the alarms generated in the SERVOPACK.  
After having cleared data, "A.--" (No alarm) is set to all the alarm traceback data.

Step	Display after Operation	Digital Operator	Panel Operator	Description
1		 (DSPL/SET Key)	 MODE/SET (MODE/SET Key)	Press the DSPL/SET or MODE/SET Key to select the utility function mode.
2				Press the UP or DOWN Key to select Fn006. Note: The enabled digit blinks.
3		 (DATA/ENTER Key)	 DATA (DATA/SHIFT Key) (Press at least 1 s.)	Press the DATA/ENTER Key once, or DATA/SHIFT Key for more than one second, and the display will be as shown on the left.
4		 (DSPL/SET Key)	 MODE/SET (MODE/SET Key)	Press the DSPL/SET or MODE/SET Key to clear the alarm traceback data. The display shown on the left blinks for about one second when the data is cleared.
5		After about one second		The display changes from "donE" to the display shown on the left.
6		 (DATA/ENTER Key)	 DATA (DATA/SHIFT Key) (Press at least 1 s.)	Press the DATA/ENTER Key once, or DATA/SHIFT Key for more than one second to return to the utility function mode display Fn006.

## 7.2.6 Manual Zero-adjustment of Analog Monitor Output (Fn00C)

Step	Display after Operation	Digital Operator	Panel Operator	Description
1		(DSPL/SET Key)	(MODE/SET Key)	Press the DSPL/SET or MODE/SET Key to select the utility function mode.
2				Press the UP or DOWN Key to select Fn00C. Note: The enabled digit blinks.
3		(DATA/ENTER Key)	(Press at least 1 s.)	Press the DATA/ENTER Key once, or DATA/SHIFT Key for more than one second, and the display shown on the left appears.
4			(Press less than 1 s.)	Press the LEFT or RIGHT or DATA/SHIFT Key for less than one second to display the output data of analog monitor.
5				Press the UP or DOWN Key to perform the zero adjustment of analog monitor.
6			(Press less than 1 s.)	Press the LEFT or RIGHT or DATA/SHIFT Key for less than one second. The display shown on the left appears.
7		(DSPL/SET Key)	(MODE/SET Key)	Press the DSPL/SET or MODE/SET Key. The display shown on the left appears.
8			(Press less than 1 s.)	Press the LEFT or RIGHT or DATA/SHIFT Key for less than one second to display the output data of analog monitor.
9				Press the UP or DOWN Key to perform the zero adjustment of analog monitor.
10			(Press less than 1 s.)	Press the LEFT or RIGHT Key or DATA/SHIFT Key for less than one second. The display shown on the left appears.
11		(DATA/ENTER Key)	(Press at least 1 s.)	When the zero adjustment of analog monitor output completes, press the DATA/ENTER Key once, or DATA/SHIFT Key for more than one second. The display returns to the utility function mode display Fn00C.

### 7.2.7 Manual Gain-adjustment of Analog Monitor Output (Fn00D)

The adjustment range of manual gain for the analog monitor output is up to 1.5 times of the gain.

Step	Display after Operation	Digital Operator	Panel Operator	Description
1		 (DSPL/SET Key)	 MODE/SET (MODE/SET Key)	Press the DSPL/SET or MODE/SET Key to select the utility function mode.
2				Press the UP or DOWN Key to select Fn00D. Note: The enabled digit blinks.
3		 (DATA/ENTER Key)	 DATA (DATA/SHIFT Key) (Press at least 1 s.)	Press the DATA/ENTER Key once, or DATA/SHIFT Key for more than one second, and the display shown on the left appears.
4			 DATA (DATA/SHIFT Key) (Press less than 1 s.)	Press the LEFT or RIGHT or DATA/SHIFT Key for less than one second to display the gain coefficient of analog monitor.
5				Press the UP or DOWN Key to adjust the gain coefficient of analog monitor.
6			 DATA (DATA/SHIFT Key) (Press less than 1 s.)	Press the LEFT or RIGHT or DATA/SHIFT Key for less than one second. The display shown on the left appears.
7		 (DSPL/SET Key)	 MODE/SET (MODE/SET Key)	Press the DSPL/SET or MODE/SET Key. The display shown on the left appears.
8			 DATA (DATA/SHIFT Key) (Press less than 1 s.)	Press the LEFT or RIGHT or DATA/SHIFT Key for less than one second to display the gain coefficient of analog monitor.
9				Press the UP or DOWN Key to adjust the gain coefficient of analog monitor.
10			 DATA (DATA/SHIFT Key) (Press less than 1 s.)	Press the LEFT or RIGHT Key or DATA/SHIFT Key for less than one second. The display shown on the left appears.
11		 (DATA/ENTER Key)	 DATA (DATA/SHIFT Key) (Press at least 1 s.)	When the gain coefficient of analog monitor adjustment completes, press the DATA/ENTER Key once, or DATA/SHIFT Key for more than one second. The display returns to the utility function mode display Fn00D.

## 7.2.8 Automatic Offset-adjustment of Motor Current Detection Signal (Fn00E)

Automatic motor current detection offset adjustment has performed at Yaskawa before shipping. Basically, the user need not perform this adjustment.

Perform this adjustment only if highly accurate adjustment is required for reducing torque ripple caused by current offset. Automatic adjustment is possible only while power is supplied to the main circuit power supply and with the servo is OFF.

### IMPORTANT

1. Execute the automatic offset adjustment if the torque ripple is too big when compared with that of other SERVOPACKs.
2. Automatic adjustment is possible only while power is supplied to the main circuit power supply and with the servo is OFF.

Step	Display after Operation	Digital Operator	Panel Operator	Description
1		 (DSPL/SET Key)	 MODE/SET (MODE/SET Key)	Press the DSPL/SET or MODE/SET Key to select the utility function mode.
2				Press the UP or DOWN Key to select Fn00E. Note: The enabled digit blinks.
3		 (DATA/ENTER Key)	 DATA (DATA/SHIFT Key) (Press at least 1 s.)	Press the DATA/ENTER Key once, or DATA/SHIFT Key for more than one second, and the display will be as shown on the left.
4		 (DSPL/SET Key)	 MODE/SET (MODE/SET Key)	Press the DSPL/SET or MODE/SET Key. The offset will be automatically adjusted. When the adjustment completes, the display shown on the left blinks for about one second.
5		After about one second		The display changes from “done” to the display shown on the left.
6		 (DATA/ENTER Key)	 DATA (DATA/SHIFT Key) (Press at least 1 s.)	Press the DATA/ENTER Key once, or DATA/SHIFT Key for more than one second to return to the utility function mode display Fn00E.

### 7.2.9 Manual Offset-adjustment of Motor Current Detection Signal (Fn00F)

The adjusting range of the motor current detection offset is -512 to +511.

To adjust the offset, perform the automatic adjustment (Fn00E) first.

And if the torque ripple is still big after the automatic adjustment, perform the manual adjustment.

#### IMPORTANT

If this function, particularly manual adjustment, is executed carelessly, it may worsen the characteristics.

When performing manual adjustments, run the motor at a speed of approximately  $100 \text{ min}^{-1}$ , and adjust the operator until the torque monitor ripple is minimized. (Refer to 9.5 Analog Monitor.) Adjust the phase-U and phase-V offsets alternately several times until these offsets are well balanced.

Step	Display after Operation	Digital Operator	Panel Operator	Description
1		 (DSPL/SET Key)	 MODE/SET (MODE/SET Key)	Press the DSPL/SET or MODE/SET Key to select the utility function mode.
2				Press the UP or DOWN Key to select Fn00F. Note: The enabled digit blinks.
3		 (DATA/ENTER Key)	 DATA (DATA/SHIFT Key) (Press at least 1 s.)	Press the DATA/ENTER Key once, or DATA/SHIFT Key for more than one second, and the display will be as shown on the left (phase U).
4			 DATA (DATA/SHIFT Key) (Press less than 1 s.)	Press the LEFT or RIGHT or DATA/SHIFT Key for less than one second to display the phase-U offset amount.
5				Press the UP or DOWN Key to adjust the offset. Carefully adjust the offset while monitoring the torque reference monitor signal.
6			 DATA (DATA/SHIFT Key) (Press less than 1 s.)	Press the LEFT or RIGHT or DATA/SHIFT Key for less than one second. The display shown on the left appears.
7		 (DSPL/SET Key)	 MODE/SET (MODE/SET Key)	Press the DSPL/SET or MODE/SET Key. The display shown on the left appears (phase V).
8			 DATA (DATA/SHIFT Key) (Press less than 1 s.)	Press the LEFT or RIGHT or DATA/SHIFT Key for less than one second to display the phase-V offset amount.
9				Press the UP or DOWN Key to adjust the offset. Carefully adjust the offset while monitoring the torque reference monitor signal.
10			 DATA (DATA/SHIFT Key) (Press less than 1 s.)	Press the LEFT or RIGHT Key or DATA/SHIFT Key for less than one second. The display shown on the left appears.
11		 (DATA/ENTER Key)	 DATA (DATA/SHIFT Key) (Press at least 1 s.)	When the offset adjustment completes, press the DATA/ENTER Key once, or DATA/SHIFT Key for more than one second. The display returns to the utility function mode display Fn00F.

## 7.2.10 Password Setting (Protects Parameters from Being Changed) (Fn010)

The write prohibited setting is used for preventing accidental changes of the parameter. All the parameters Pn□□□ and some of Fn□□□ become write prohibited by setting values. Refer to 7.2.1 List of Utility Function Modes for details.

Setting values are as follows:

- “0000”: Write permitted (Releases write prohibited mode.)
- “0001”: Write prohibited (Parameters become write prohibited from the next power ON.)

Step	Display after Operation	Digital Operator	Panel Operator	Description
1		 (DSPL/SET Key)	 MODE/SET (MODE/SET Key)	Press the DSPL/SET or MODE/SET Key to select the utility function mode.
2				Press the UP or DOWN Key to select Fn010. Note: The enabled digit blinks.
3		 (DATA/ENTER Key)	 DATA (DATA/SHIFT Key) (Press at least 1 s.)	Press the DATA/ENTER Key once, or DATA/SHIFT Key for more than one second, and the display will be as shown on the left.
4				Press the UP or DOWN Key to set a value: “0000”: Write permitted, “0001”: Write prohibited
5		 (DSPL/SET Key)	 MODE/SET (MODE/SET Key)	Press the DSPL/SET or MODE/SET Key to register the value. When the value is registered, the display shown on the left blinks for about one second. Note: If a value other than “0000” and “0001” is set, “Error” blinks for about one second, and the previous setting is displayed.
6		After about one second		The display changes from “donE” to “P.000□.”
7		 (DATA/ENTER Key)	 DATA (DATA/SHIFT Key) (Press at least 1 s.)	Press the DATA/ENTER Key once, or DATA/SHIFT Key for more than one second to return to the utility function mode display Fn010.

### 7.2.11 Motor Models Display (Fn011)

This mode is used for motor maintenance, such as checking the connected servomotor model, voltage, capacity, encoder type, or encoder resolution. Set the parameter Fn011 to select the motor model check mode. If the SERVOPACK has been custom-made, you can also check the specification codes of SERVOPACKs.

Step	Display after Operation	Digital Operator	Panel Operator	Description																										
1		(DSPL/SET Key)	(MODE/SET Key)	Press the DSPL/SET or MODE/SET Key to select the utility function mode.																										
2				Press the UP or DOWN Key to select Fn011. Note: The enabled digit blinks.																										
3		(DATA/ENTER Key)	(DATA/SHIFT Key) (Press at least 1 s.)	Press the DATA/ENTER Key once, or DATA/SHIFT Key for more than one second to display the servomotor model and voltage code.  <table border="1" style="display: inline-table; margin-right: 20px;"> <thead> <tr> <th colspan="2">Motor Voltage</th> </tr> <tr> <th>Data</th> <th>Model</th> </tr> </thead> <tbody> <tr> <td>00</td> <td>100VAC, 140VDC</td> </tr> <tr> <td>01</td> <td>200VAC, 280VDC</td> </tr> <tr> <td>02</td> <td>Reserved</td> </tr> </tbody> </table> <table border="1" style="display: inline-table;"> <thead> <tr> <th colspan="2">Motor Type</th> </tr> <tr> <th>Data</th> <th>Model</th> </tr> </thead> <tbody> <tr> <td>00</td> <td>SGMAH</td> </tr> <tr> <td>01</td> <td>SGMPH</td> </tr> <tr> <td>02</td> <td>SGMSH</td> </tr> <tr> <td>03</td> <td>SGMGH-□A(1500 min<sup>-1</sup>)</td> </tr> <tr> <td>04</td> <td>SGMGH-□B(1000 min<sup>-1</sup>)</td> </tr> <tr> <td>05</td> <td>SGMDH</td> </tr> </tbody> </table>	Motor Voltage		Data	Model	00	100VAC, 140VDC	01	200VAC, 280VDC	02	Reserved	Motor Type		Data	Model	00	SGMAH	01	SGMPH	02	SGMSH	03	SGMGH-□A(1500 min <sup>-1</sup> )	04	SGMGH-□B(1000 min <sup>-1</sup> )	05	SGMDH
Motor Voltage																														
Data	Model																													
00	100VAC, 140VDC																													
01	200VAC, 280VDC																													
02	Reserved																													
Motor Type																														
Data	Model																													
00	SGMAH																													
01	SGMPH																													
02	SGMSH																													
03	SGMGH-□A(1500 min <sup>-1</sup> )																													
04	SGMGH-□B(1000 min <sup>-1</sup> )																													
05	SGMDH																													
4		(DSPL/SET Key)	(MODE/SET Key)	Press the DSPL/SET or MODE/SET Key to display the servomotor capacity.   Motor capacity in units of 10 W The above example indicates 100 W.																										
5		(DSPL/SET Key)	(MODE/SET Key)	Press the DSPL/SET or MODE/SET Key, and the encoder type and resolution code will be displayed.  <table border="1" style="display: inline-table; margin-right: 20px;"> <thead> <tr> <th colspan="2">Encoder Type</th> </tr> <tr> <th>Data</th> <th>Type</th> </tr> </thead> <tbody> <tr> <td>00</td> <td>Incremental</td> </tr> <tr> <td>01</td> <td>Multi-turn data absolute encoder</td> </tr> <tr> <td>02</td> <td>Single-turn data absolute encoder</td> </tr> </tbody> </table> <table border="1" style="display: inline-table;"> <thead> <tr> <th colspan="2">Encoder Resolution</th> </tr> <tr> <th>Data</th> <th>Resolution</th> </tr> </thead> <tbody> <tr> <td>13</td> <td>13-bit</td> </tr> <tr> <td>16</td> <td>16-bit</td> </tr> <tr> <td>17</td> <td>17-bit</td> </tr> <tr> <td>20</td> <td>20-bit</td> </tr> </tbody> </table>	Encoder Type		Data	Type	00	Incremental	01	Multi-turn data absolute encoder	02	Single-turn data absolute encoder	Encoder Resolution		Data	Resolution	13	13-bit	16	16-bit	17	17-bit	20	20-bit				
Encoder Type																														
Data	Type																													
00	Incremental																													
01	Multi-turn data absolute encoder																													
02	Single-turn data absolute encoder																													
Encoder Resolution																														
Data	Resolution																													
13	13-bit																													
16	16-bit																													
17	17-bit																													
20	20-bit																													
6		(DSPL/SET Key)	(MODE/SET Key)	Press the DSPL/SET or MODE/SET Key to display the SERVOPACK's code for custom orders. Note: The display "y.0000" means standard model.   Code for custom orders																										
7		(DATA/ENTER Key)	(DATA/SHIFT Key) (Press at least 1 s.)	Press the DATA/ENTER Key once, or DATA/SHIFT Key for more than one second to return to the utility function mode display Fn011.																										

## 7.2.12 Software Version Display (Fn012)

Set the Fn012 to select the software-version check mode to check the SERVOPACK and encoder software version.

Step	Display after Operation	Digital Operator	Panel Operator	Description
1		 (DSPL/SET Key)	 MODE/SET (MODE/SET Key)	Press the DSPL/SET or MODE/SET Key to select the utility function mode.
2				Press the UP or DOWN Key to select Fn012. Note: The enabled digit blinks.
3		 (DATA/ENTER Key)	 DATA (DATA/SHIFT Key) (Press at least 1 s.)	Press the DATA/ENTER Key once, or DATA/SHIFT Key for more than one second to display the SERVOPACK software version.
4		 (DSPL/SET Key)	 MODE/SET (MODE/SET Key)	Press the DSPL/SET or MODE/SET Key to display the encoder software version.
5		 (DATA/ENTER Key)	 DATA (DATA/SHIFT Key) (Press at least 1 s.)	Press the DATA/ENTER Key once, or DATA/SHIFT Key for more than one second to return to the utility function mode Fn012.



## 7.3 Operation in Parameter Setting Mode (Pn□□□)

Functions can be selected or adjusted by setting parameters. There are two types of parameters. One type requires value setting and the other requires function selection. These two types use different setting methods.

With value setting, a parameter is set to a value within the specified range of the parameter. With function selection, the functions allocated to each digit of the seven-segment LED panel indicator (five digits) can be selected.

### 7.3.1 Setting Parameters

#### (1) Value Setting Parameters

##### (a) Types of Value Setting Parameters

Refer to 12.3.2 List of Parameters.

##### (b) Example of Changing Value Setting Parameter

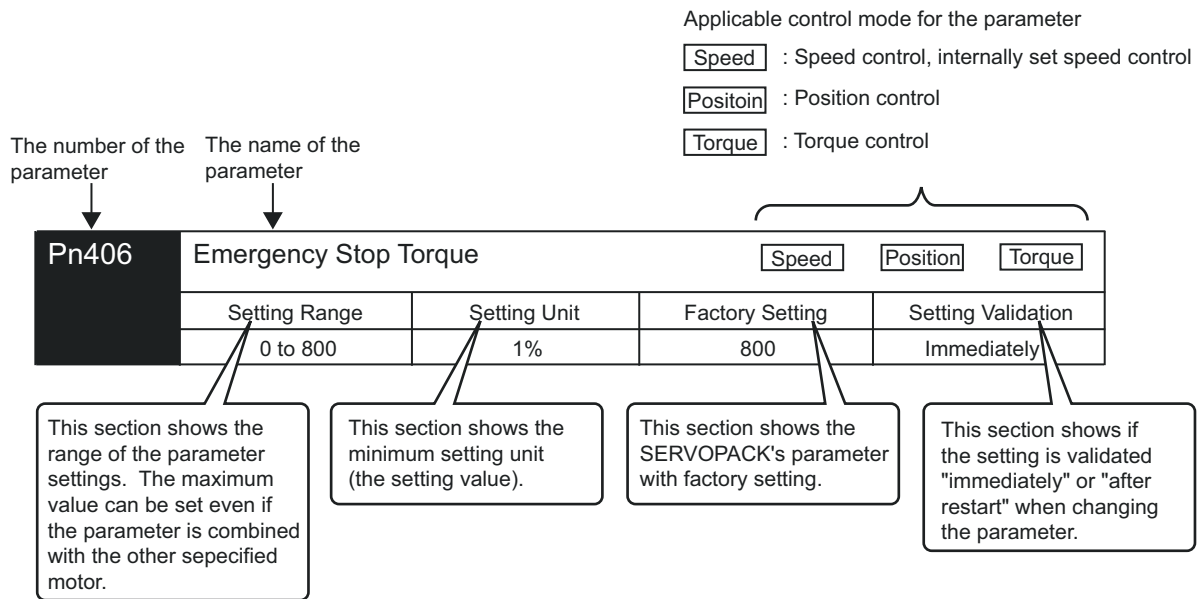
The parameter settings can be used for changing parameter data. Before changing the data, check the permitted range of the parameter.

◀ **EXAMPLE** ▶ The example below shows how to change parameter Pn100 (speed loop gain) from “40” to “100.”

Step	Display after Operation	Digital Operator	Panel Operator	Description
1		 (DSPL/SET Key)	 MODE/SET (MODE/SET Key)	Press the DSPL/SET or MODE/SET Key to select the parameter setting mode. If a parameter other than Pn100 is displayed, press the UP or DOWN Key to select Pn100. Note: The enabled digit blinks.
2		 (DATA/ENTER Key)	 DATA (DATA/SHIFT Key) (Press at least 1 s.)	Press the DATA/ENTER Key once, or DATA/SHIFT Key for more than one second. The current data of Pn100 is displayed.
3			 DATA (DATA/SHIFT Key)	Press the LEFT or RIGHT Key or DATA/SHIFT Key to select the digit to be set.
4				Press the UP or DOWN Key to change the data. Keep pressing UP or DOWN Key until “00100” is displayed.
5		 (DATA/ENTER Key)	 DATA (DATA/SHIFT Key) (Press at least 1 s.)	Press the DATA/ENTER Key once, or DATA/SHIFT Key for more than one second. The value blinks and is saved.
6		 (DATA/ENTER Key)	 DATA (DATA/SHIFT Key) (Press at least 1 s.)	Press the DATA/ENTER Key once, or DATA/SHIFT Key for more than one second to return to the display of Pn100. The data for the speed loop gain (Pn100) is changed from “40” to “100.”

## (c) Parameter Indications

In this manual, the parameter is explained with using the following format.



The following alarm shows the setting value of the parameter.



Decimal display in five digits

## (2) Function Selection Parameters

### (a) Types of Function Selection Parameters

Refer to 12.3.2 List of Parameters.

#### IMPORTANT

If the parameters with “After restart” in “Setting Validation” column in the table are changed, turn OFF the main circuit and control power supply and ON again to validate new setting.

- Pn10B.1 and Pn110.0 require the power to be reset as mentioned above.
- Pn10B.0, Pn110.1, and Pn110.2 are enabled with the off-line, so the power does not have to be reset.

Category	Parameter No.	Name	Factory Setting	Setting Validation
Function Selection Parameter	Pn000	Function Selection Basic Switches	0000	After restart
	Pn001	Function Selection Application Switches	0000	After restart
	Pn002	Function Selection Application Switches	0000	After restart
	Pn003	Function Selection Application Switches	0002	Immediately
Servo Gain Related Parameter	Pn10B	Gain Application Switches	0000	After restart/ Immediately
	Pn110	Online Autotuning Switches	0010	After restart/ Immediately
Position Control Related Parameter	Pn200	Position Control References Selection Switches	0000	After restart
	Pn207	Position Control Function Switches	0000	After restart
Torque Control Related Parameter	Pn408	Torque Function Switches	0000*	Immediately
Sequence Related Parameter (Input Signal Selection)	Pn50A	Input Signal Selections	2100	After restart
	Pn50B	Input Signal Selections	6543	After restart
	Pn50C	Input Signal Selections	8888	After restart
	Pn50D	Input Signal Selections	8888	After restart
Sequence Related Parameter (Output Signal Selection)	Pn50E	Output Signal Selections	3211	After restart
	Pn50F	Output Signal Selections	0000	After restart
	Pn510	Output Signal Selections	0000	After restart
	Pn512	Output Signal Reversal Setting	0000	After restart

\* The factory setting is 0001 for the models with 5 kW or more.

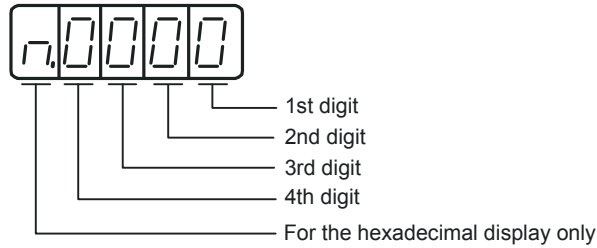
## (b) Example of Changing Function Selection

The procedure to change the setting of control method selection (Pn000.1) of the function selection basic switches (Pn000) from speed control to position control is shown below.

Step	Display after Operation	Digital Operator	Panel Operator	Description
1		 (DSPL/SET Key)	 MODE/SET (MODE/SET Key)	Press the DSPL/SET or MODE/SET Key to select the parameter setting mode. If a parameter other than Pn000 is displayed, press the UP or DOWN Key to select the Pn100. Note: The enable digit blinks.
2		 (DATA/ENTER Key)	 DATA (DATA/SHIFT Key) (Press at least 1 s.)	Press the DATA/ENTER Key once, or DATA/SHIFT Key for more than one second. The current data of Pn000 is displayed.
3			 DATA (DATA/SHIFT Key)	Press the LEFT or RIGHT or DATA/SHIFT Key to select the first digit of current data.
4		 (UP Key)		Press the UP Key once to change to "n.0010." (Set the control method to position control.)
5		 (DATA/ENTER Key)	 DATA (DATA/SHIFT Key) (Press at least 1 s.)	Press the DATA/ENTER Key once, or DATA/SHIFT Key for more than one second. The value blinks and is saved.
6		 (DATA/ENTER Key)	 DATA (DATA/SHIFT Key) (Press at least 1 s.)	Press the DATA/ENTER Key once, or DATA/SHIFT Key for more than one second to return to the display Pn000. The control method is changed to position control.
7	To enable the change in the setting of function selection basic switches (Pn000), turn OFF the power and ON again.			

### (c) Parameter Indications

Each digit of the function selection parameters is defined as the hexadecimal display. The parameter display example shows how parameters are displayed in digits for set values.



- Pn000.0 or n.xxx□: Indicates the value for the 1st digit of parameter Pn000.
- Pn000.1 or n.xx□x: Indicates the value for the 2nd digit of parameter Pn000.
- Pn000.2 or n.x□xx: Indicates the value for the 3rd digit of parameter Pn000.
- Pn000.3 or n.□xxx: Indicates the value for the 4th digit of parameter Pn000.

For details on each digit of the parameter, see *12.3.2 List of Parameters*.

Parameter	Meaning
Pn50A	n.2□□□ Input the forward run prohibited signal (P-OT) from CN1-42 (Factory setting).
	n.8□□□ Forward run prohibited signal (P-OT) is disabled (Forward rotation allowed).

The number of the parameter

This blank shows the setting value of the function selection, as well as the state condition on the panel operator and the digital operator (JUSP-OP02A-2).

This section explains the details of the function selection.

### 7.3.2 Input Circuit Signal Allocation

Each input signal is allocated to a pin of the input connector CN1 by setting the parameter. The following table shows detailed allocation.

#### (1) Factory Setting (Pn50A.0 = 0)

The factory setting for the input signal allocation is as follows.

□ means factory setting.

Pn50A: n.2100

Pn50B: n.6543

## (2) Changing the Allocation (Pn50A.0 = 1)

Set the parameter in accordance with the relation between the signal to be used and the input connector pin. After having changed the parameter, turn OFF the power and ON again to enable the parameters.

means factory setting.

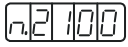
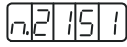
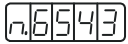
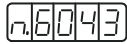
Signal Name Parameter Setting Allocation	Valid-ity Level	Input Signal	CN1 Input Pin Allocation							Connection Not Required (SERVOPACK judges the connection)	
			40	41	42	43	44	45	46	Always ON	Always OFF
Servo ON Pn50A.1 = n.xx□x	L	/S-ON	0	1	2	3	4	5	6	7	8
	H	S-ON	9	A	B	C	D	E	F		
Proportional Operation Reference Pn50A.2 = n.x□xx	L	/P-CON	0	1	2	3	4	5	6	7	8
	H	P-CON	9	A	B	C	D	E	F		
Forward Run Prohibited Pn50A.3 = n.□xxx	H	P-OT	0	1	2	3	4	5	6	7	8
	L	/P-OT	9	A	B	C	D	E	F		
Reverse Run Prohibited Pn50B.0 = n.xxx□	H	N-OT	0	1	2	3	4	5	6	7	8
	L	/N-OT	9	A	B	C	D	E	F		
Alarm Reset Pn50B.1 = n.xx□x	L	/ALM-RST	0	1	2	3	4	5	6	-	8
	H	ALM-RST	9	A	B	C	D	E	F		
Forward External Torque Limit Pn50B.2 = n.x□xx	L	/P-CL	0	1	2	3	4	5	6	7	8
	H	P-CL	9	A	B	C	D	E	F		
Reserve External Torque Limit Pn50B.3 = n.□xxx	L	/N-CL	0	1	2	3	4	5	6	7	8
	H	N-CL	9	A	B	C	D	E	F		
Internally Set Speed Selection Pn50C.0 = n.xxx□	L	/SPD-D	0	1	2	3	4	5	6	7	8
	H	SPD-D	9	A	B	C	D	E	F		
Internally Set Speed Selection Pn50C.1 = n.xx□x	L	/SPD-A	0	1	2	3	4	5	6	7	8
	H	SPD-A	9	A	B	C	D	E	F		
Internally Set Speed Selection Pn50C.2 = n.x□xx	L	/SPD-B	0	1	2	3	4	5	6	7	8
	H	SPD-B	9	A	B	C	D	E	F		
Control Method Selection Pn50C.3 = n.□xxx	L	/C-SEL	0	1	2	3	4	5	6	7	8
	H	C-SEL	9	A	B	C	D	E	F		
Zero Clamp Pn50D.0 = n.xxx□	L	/ZCLAMP	0	1	2	3	4	5	6	7	8
	H	ZCLAMP	9	A	B	C	D	E	F		
Reference Pulse Inhibit Pn50D.1 = n.xx□x	L	/INHIBIT	0	1	2	3	4	5	6	7	8
	H	INHIBIT	9	A	B	C	D	E	F		
Gain Changeover Pn50D.2 = n.x□xx	L	/G-SEL	0	1	2	3	4	5	6	7	8
	H	G-SEL	9	A	B	C	D	E	F		


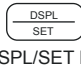

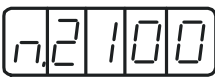


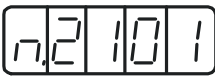











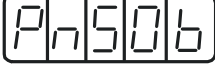


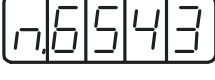











**IMPORTANT**

1. When using Servo ON, Forward Run Prohibited, and Reverse Run Prohibited signals with the setting "Polarity Reversal," the machine may not move to the specified safe direction at occurrence of failure such as signal line disconnection. If such setting is absolutely necessary, confirm the operation and observe safety precautions.
2. When two or more signals are allocated to the same input circuit, the input signal level will be applied to all the allocated signal.

## (3) Allocating Input Signals

◀ **EXAMPLE** ▶ The procedure to replace Servo ON (/S-ON) signal allocated to CN1-40 and Forward External Torque Limit (/P-CL) allocated to CN1-45 is shown below.

Before → After  
 Pn50A:  →   
 Pn50B:  → 

Step	Display after Operation	Digital Operator	Panel Operator	Description
1		 (DSPL/SET Key)	 MODE/SET (MODE/SET Key)	Press the DSPL/SET or MODE/SET Key to select the "value setting parameter" mode. If a parameter other than Pn50A is displayed, press the UP or DOWN Key to set Pn50A. Note: The enabled digit blinks.
2		 (DATA/ENTER Key)	 DATA (DATA/SHIFT Key) (Press at least 1 s.)	Press the DATA/ENTER Key once, or DATA/SHIFT Key for more than one second to display the current data of Pn50A. (/S-ON is allocated to CN1-40.)
3		 (UP Key)	 (UP Key)	Press the UP Key to set to "1." (Sequence input signals can be freely set.)
4			 DATA (DATA/SHIFT Key)	Press the LEFT or RIGHT Key or DATA/SHIFT Key to select the second digit from the right. Press the UP key to set to "5." (Changes the allocation of /S-ON from CN1-40 to CN1-45.)
5		 (DATA/ENTER Key)	 DATA (DATA/SHIFT Key) (Press at least 1 s.)	Press the DATA/ENTER Key once, or DATA/SHIFT Key for more than one second. The value blinks and is saved. At the moment, the CN1-45 operates with OR logic for /S-ON and /P-CL.
6		 (DATA/ENTER Key)	 DATA (DATA/SHIFT Key) (Press at least 1 s.)	Press the DATA/ENTER Key once, or DATA/SHIFT Key for more than one second to return to the display Pn50A.
7		 (UP Key)	 (UP Key)	Press the UP Key to set Pn50B. Note: The enabled digit blinks.
8		 (DATA/ENTER Key)	 DATA (DATA/SHIFT Key) (Press at least 1 s.)	Press the DATA/ENTER Key once, or DATA/SHIFT Key for more than one second to display the current data of Pn50B. (/P-CL is allocated to CN1-45.)
9			 DATA (DATA/SHIFT Key)	Press the LEFT or RIGHT Key or DATA/SHIFT Key to select the third digit from the right. Press the DOWN Key to set to "0." (Changes the allocation of /P-CL from CN1-45 to CN1-40.)
10		 (DATA/ENTER Key)	 DATA (DATA/SHIFT Key) (Press at least 1 s.)	Press the DATA/ENTER Key once, or DATA/SHIFT Key for more than one second. The value blinks and is saved.
11		 (DATA/ENTER Key)	 DATA (DATA/SHIFT Key) (Press at least 1 s.)	Press the DATA/ENTER Key once, or DATA/SHIFT Key for more than one second to return to the display Pn50B. /S-ON is allocation to CN1-45, and /P-CL is allocated to CN1-40.
12	Turn the power OFF and ON again to enable the change of input signal selections (Pn50A and Pn50B).			

### 7.3.3 Output Circuit Signal Allocation

Functions can be allocated to the following sequence output signals. After having changed the parameter, turn OFF the power and ON again to enable the parameters.

means factory setting.

Parameter Setting Allocation	CN1 Pin No.	25/(26)		27/(28)		29/(30)		Remark
		Pn512=n.xxx□		Pn512=n.xx□x		Pn512=n.x□xx		
		0	1 (reverse)	0	1 (reverse)	0	1 (reverse)	
Positioning Completion (/COIN) Pn50E.0 = n.xxx□	0	Invalid						L: Valid output signal: Low level H: Valid output signal: High level Invalid: Do not use the output signal.  <b>■ Factory Setting</b> Pn50E: <input type="text" value="n.3211"/> Pn50F: <input type="text" value="n.0000"/> Pn510: <input type="text" value="n.0000"/> Pn512: <input type="text" value="n.0000"/>  Note: The output signals for Positioning Completion Signal and Speed Coincidence Detection Signal differ depending on the control method.
	1	L	H					
	2			L	H			
	3					L	H	
Speed Coincidence Detection (/V-CMP) Pn50E.1 = n.xx□x	0	Invalid						
	1	L	H					
	2			L	H			
	3					L	H	
Rotation Detection (/TGON) Pn50E.2 = n.x□xx	0	Invalid						
	1	L	H					
	2			L	H			
	3					L	H	
Servo Ready (/S-RDY) Pn50E.3 = n.□xxx	0	Invalid						
	1	L	H					
	2			L	H			
	3					L	H	
Torque Limit Detection (/CLT) Pn50F.0 = n.xxx□	0	Invalid						
	1	L	H					
	2			L	H			
	3					L	H	
Speed Limit Detection (/VLT) Pn50F.1 = n.xx□x	0	Invalid						
	1	L	H					
	2			L	H			
	3					L	H	
Brake (/BK) Pn50F.2 = n.x□xx	0	Invalid						
	1	L	H					
	2			L	H			
	3					L	H	
Warning (/WARN) Pn50F.3 = n.□xxx	0	Invalid						
	1	L	H					
	2			L	H			
	3					L	H	
Near (/NEAR) Pn510.0 = n.xxx□	0	Invalid						
	1	L	H					
	2			L	H			
	3					L	H	

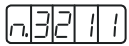

#### IMPORTANT


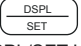




























1. When two or more signals are allocated to the same output circuit, a signal is output with OR logic.
2. The signals not detected are considered as "Invalid." For example, Positioning Completion (/COIN) Signal in speed control mode is "Invalid."



• Allocating Output Signals

◀ **EXAMPLE** ▶ The procedure to replace Rotation Detection (/TGON) signal allocated to CN1-27 (28) with factory setting to “Invalid” and allocate Brake Interlock (/BK) signal to CN1-27 (28) is shown below.

Pn50E:  → 

Step	Display after Operation	Digital Operator	Panel Operator	Description
1		 (DSPL/SET Key)	 MODE/SET (MODE/SET Key)	Press the DSPL/SET or MODE/SET Key to select the “value setting parameter” mode. If a parameter other than Pn50E is displayed, press the UP or DOWN Key to select Pn50E. Note: The enabled digit blinks.
2		 (DATA/ENTER Key)	 DATA/ (DATA/SHIFT Key) (Press at least 1 s.)	Press the DATA/ENTER Key once, or DATA/SHIFT Key for more than one second to display the current data of Pn50E. (/TGON is allocated to CN1-27 (28).)
3			 DATA/ (DATA/SHIFT Key)	Press the LEFT Key or RIGHT or DATA/SHIFT Key to select the third digit from the right. Press the DOWN Key to set “0.” (Sets /TGON “Invalid.”)
4		 (DATA/ENTER Key)	 DATA/ (DATA/SHIFT Key) (Press at least 1 s.)	Press the DATA/ENTER Key once, or DATA/SHIFT Key for more than one second. The value blinks and is saved.
5		 (DATA/ENTER Key)	 DATA/ (DATA/SHIFT Key) (Press at least 1 s.)	Press the DATA/ENTER Key once, or DATA/SHIFT Key for more than one second to return to the display Pn50E.
6		 (UP Key)	 (UP Key)	Press the UP Key to set Pn50F. Note: The enabled digit blinks.
7		 (DATA/ENTER Key)	 DATA/ (DATA/SHIFT Key) (Press at least 1 s.)	Press the DATA/ENTER Key once, or DATA/SHIFT Key for more than one second to display the current data of Pn50F. (/BK is set to “Invalid.”)
8			 DATA/ (DATA/SHIFT Key)	Press the LEFT or RIGHT Key or DATA/SHIFT Key to select the third digit from the right. Press the UP Key to set “2.” (Allocates /BK to CN1-27 (28).)
9		 (DATA/ENTER Key)	 DATA/ (DATA/SHIFT Key) (Press at least 1 s.)	Press the DATA/ENTER Key once, or DATA/SHIFT Key for more than one second. The value blinks and is saved.
10		 (DATA/ENTER Key)	 DATA/ (DATA/SHIFT Key) (Press at least 1 s.)	Press the DATA/ENTER Key once, or DATA/SHIFT Key for more than one second to return to the display Pn50F. /TGON is set as “Invalid” and /BK is allocated to CN1-27 (28).
11	Turn OFF the power and ON again to enable the changes of output signal selection (Pn50E and Pn50F).			

## 7.4 Operation in Monitor Mode (Un□□□)

The monitor mode can be used for monitoring the reference values, I/O signal status, and SERVOPACK internal status.

The monitor mode can be selected during motor operation.

### 7.4.1 List of Monitor Modes

#### (1) Contents of Monitor Mode Display

Parameter No.	Content of Display	Unit
Un000	Actual motor speed	min <sup>-1</sup>
Un001	Input speed reference (Valid only in speed control mode)	min <sup>-1</sup>
Un002	Internal torque reference ( in percentage to the rated torque)	%
Un003	Rotation angle 1 (16-bit decimal code)	Number of pulses from the zero-point
Un004	Rotation angle 2 (Angle from the zero-point (electrical angle))	deg
Un005	Input signal monitor *1	–
Un006	Output signal monitor *1	–
Un007	Input reference pulse speed (valid only in position control mode)	min <sup>-1</sup>
Un008	Error counter value (amount of position error) (valid only in position control mode)	reference unit
Un009	Accumulated load rate (value for the rated torque as 100%. Displays effective torque in 10-s cycle.)	%
Un00A	Regenerative load rate (value for the processable regenerative power as 100%. Displays regenerative power consumption in 10-s cycle.)	%
Un00B	Power consumed by DB resistance (Value for the processable power when dynamic brake is applied as 100%. Displays power consumed by DB resistance in 10-s cycle.)	%
Un00C	Input reference pulse counter (32-bit hexadecimal code) (valid only in position control mode) *2	–
Un00D	Feedback pulse counter (Data as four times of the encoder pulse number: 32-bit hexadecimal code) *2	–

\* 1. Refer to (2) Contents of Monitor Mode Display.

\* 2. Refer to (4) Contents of Monitor Mode Display.

## (2) Sequence I/O Signal Monitor Display

The following section describes the monitor display for sequence I/O signals.

### (a) Input Signal Monitor Display

The status of input signal allocated to each input terminal is displayed:

When the input is in OFF (open) status, the top segment (LED) is lit.

when the input is in ON (short-circuited) status, the bottom segment (LED) is lit.

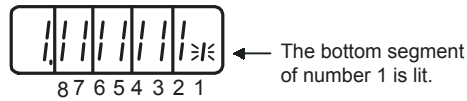


Refer to 7.3.2 *Input Circuit Signal Allocation* for the relation between input terminals and signals.

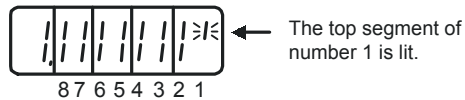
Display LED Number	Input Terminal Name	Factory Setting
1	CN1-40	/S-ON
2	CN1-41	/P-CON
3	CN1-42	P-OT
4	CN1-43	N-OT
5	CN1-44	/ALM-RST
6	CN1-45	/P-CL
7	CN1-46	/N-CL
8	CN1-4	SEN

#### ◀ EXAMPLE ▶

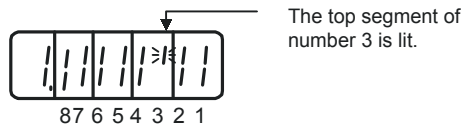
- When /S-ON signal is ON (Servo ON at L level)



- When /S-ON signal is OFF



- When P-OT signal operates (Operates at H level)



**(b) Output Signal Monitor Display**

The status of output signal allocated to each output terminal is displayed:

When the output is in OFF (open) status, the top segment (LED) is lit.

When the output is in ON (short-circuited) status, the bottom segment is lit.



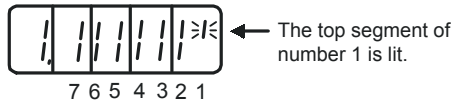
Display LED Number	Output Terminal Name	Factory Setting
1	CN1-31, -32	ALM
2	CN1-25, -26	/COIN or /V-CMP
3	CN1-27, -28	/TGON
4	CN1-29, -30	/S-RDY
5	CN1-37	AL01
6	CN1-38	AL02
7	CN1-39	AL03

Seven segments in the top and bottom rows of an LED turn ON and OFF in different combinations to indicate various output signals.

These segments ON for L level and OFF for H level.

**◀ EXAMPLE ▶**

- When ALM signal operates (alarm at H level.)

**(3) Operation in Monitor Mode**

The example below shows how to display the contents of monitor number Un000 when the servomotor rotates at  $1500 \text{ min}^{-1}$ .

Step	Display after Operation	Digital Operator	Panel Operator	Description
1		 (DSPL/SET Key)	 MODE/SET (MODE/SET Key)	Press the DSPL/SET or MODE/SET Key to select the monitor mode.
2				Press the UP or DOWN Key to select the monitor number to be displayed. The display shows the example of the data of Un000.
3		 (DATA/ENTER Key)	 DATA (DATA/SHIFT Key) (Press at least 1 s.)	Press the DATA/ENTER Key once, or DATA/SHIFT Key for more than one second to display the data of Un000.
4		 (DATA/ENTER Key)	 DATA (DATA/SHIFT Key) (Press at least 1 s.)	Press the DATA/ENTER Key once, or DATA/SHIFT Key for more than one second to return to the display of monitor number.

#### (4) Monitor Display of Reference Pulse Counter and Feedback Pulse Counter

The monitor display of reference pulse counter and feedback pulse counter is expressed in 32-bit hexadecimal.

Step	Display after Operation	Digital Operator	Panel Operator	Description
1		 (DSPL/SET Key)	 MODE/SET (MODE/SET Key)	Press the DSPL/SET or MODE/SET Key to select the monitor mode.
2				Press the UP or DOWN Key to select “Un00C” or “Un00D.”
3	 The upper 16-bit data	 (DATA/ENTER Key)	 DATA (DATA/SHIFT Key) (Press at least 1 s.)	Press the DATA/ENTER Key once, or DATA/SHIFT Key for more than one second to display the data of the selected monitor number.
4	 The lower 16-bit data			Press the UP or DOWN Key to display the lower 16-bit data.
5		 (Press simultaneously)	 Press simultaneously	Press both UP and DOWN Keys simultaneously while the display on the left appears to clear the 32-bit counter data. (The display shown on the left is of the lower 16-bit data.)
6		 (DATA/ENTER Key)	 DATA (DATA/SHIFT Key) (Press at least 1 s.)	Press the DATA/ENTER Key once, or DATA/SHIFT Key for more than one second to return to the display of monitor number.

When the control power supply is turned ON, reference pulse and feedback pulse will be “0.” The counter value increases by forward references, and decreases by reverse references.

Displays the pulse number from 0 to 4294967295 in sequence. If one pulse is decreased from 0, the digital operator and the panel operator display 4294967295 and then decrease from this pulse number. Also, if one pulse is increased from 4294967295, the digital operator and the panel operator display 0 and increase from this pulse number.

The feedback pulse will be 65536 pulse/rev, when using the 16-bit encoder. The feedback pulse will be 131071 pulse/rev, when using the 17-bit encoder.

## Operation

8.1 Trial Operation	8-4
8.1.1 Trial Operation for Servomotor without Load	8-6
8.1.2 Trial Operation for Servomotor without Load from Host Reference	8-9
8.1.3 Trial Operation with the Servomotor Connected to the Machine	8-15
8.1.4 Servomotor with Brakes	8-16
8.1.5 Position Control by Host Controller	8-16
8.2 Control Mode Selection	8-17
8.3 Setting Common Basic Functions	8-18
8.3.1 Setting the Servo ON Signal	8-18
8.3.2 Switching the Servomotor Rotation Direction	8-19
8.3.3 Setting the Overtravel Limit Function	8-20
8.3.4 Setting for Holding Brakes	8-22
8.3.5 Selecting the Stopping Method After Servo OFF	8-27
8.3.6 Instantaneous Power Loss Settings	8-28
8.4 Absolute Encoders	8-29
8.4.1 Interface Circuits	8-30
8.4.2 Selecting an Absolute Encoder	8-31
8.4.3 Handling Batteries	8-31
8.4.4 Replacing Batteries	8-32
8.4.5 Absolute Encoder Setup (Fn008)	8-32
8.4.6 Absolute Encoder Reception Sequence	8-34
8.4.7 Multiturn Limit Setting	8-37
8.4.8 Multiturn Limit Setting When Multiturn Limit Disagreement (A.CC) Occurred	8-38
8.5 Operating Using Speed Control with Analog Reference	8-39
8.5.1 Setting Parameters	8-39
8.5.2 Setting Input Signals	8-40
8.5.3 Adjusting Offset	8-41
8.5.4 Soft Start	8-44
8.5.5 Speed Reference Filter	8-44
8.5.6 Using the Zero Clamp Function	8-44
8.5.7 Encoder Signal Output	8-46
8.5.8 Speed Coincidence Output	8-48

8.6 Operating Using Position Control	8-49
8.6.1 Setting Parameters	8-49
8.6.2 Setting the Electronic Gear	8-51
8.6.3 Position Reference	8-54
8.6.4 Smoothing	8-57
8.6.5 Positioning Completed Output Signal	8-58
8.6.6 Positioning Near Signal	8-59
8.6.7 Reference Pulse Inhibit Function (INHIBIT)	8-60
8.7 Operating Using Torque Control	8-61
8.7.1 Setting Parameters	8-61
8.7.2 Torque Reference Input	8-61
8.7.3 Adjusting the Reference Offset	8-62
8.7.4 Limiting Servomotor Speed during Torque Control	8-64
8.8 Operating Using Speed Control with an Internally Set Speed	8-66
8.8.1 Setting Parameters	8-66
8.8.2 Input Signal Settings	8-66
8.8.3 Operating Using an Internally Set Speed	8-67
8.9 Limiting Torque	8-69
8.9.1 Internal Torque Limit (Limiting Maximum Output Torque)	8-69
8.9.2 External Torque Limit (Output Torque Limiting by Input Signals)	8-70
8.9.3 Torque Limiting Using an Analog Voltage Reference	8-71
8.9.4 Torque Limiting Using an External Torque Limit and Analog Voltage Reference	8-72
8.9.5 Checking Output Torque Limiting during Operation	8-73
8.10 Control Mode Selection	8-74
8.10.1 Setting Parameters	8-74
8.10.2 Switching the Control Mode	8-74
8.11 Other Output Signals	8-75
8.11.1 Servo Alarm Output (ALM) and Alarm Code Output (ALO1, ALO2, ALO3)	8-75
8.11.2 Warning Output (/WARN)	8-76
8.11.3 Running Output Signal (/TGON)	8-76
8.11.4 Servo Ready (/S-RDY) Output	8-77

[www.nicsanat.com](http://www.nicsanat.com)

021-87700210



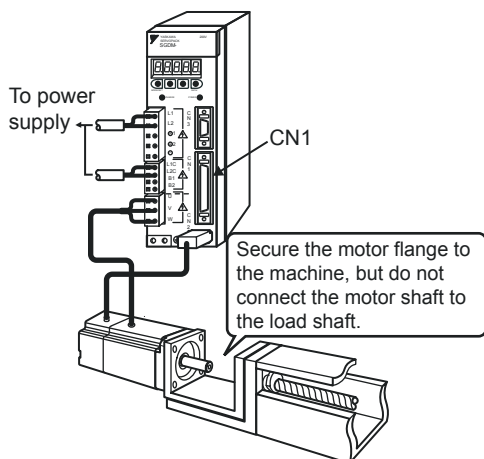


## 8.1 Trial Operation

Make sure that all wiring has been completed prior to trial operation.

Perform the following three types of trial operation in order. Instructions are given for speed control mode (standard setting) and position control mode. Unless otherwise specified, the standard parameters for speed control mode (factory setting) are used.

### (1) Trial Operation for Servomotor without Load (Refer to 8.1.1.)

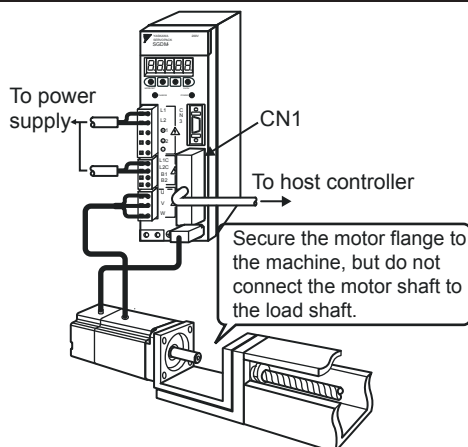


#### ■ Purpose

The servomotor is operated without connecting the shaft to the machine in order to confirm that the following wiring is correct.

- Power supply circuit wiring
- Motor wiring
- Encoder wiring
- Motor's rotation direction and motor speed

### (2) Trial Operation for Servomotor with Host Reference (Refer to 8.1.2.)

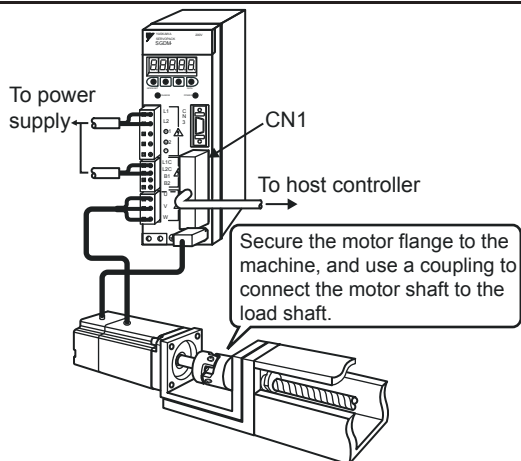


#### ■ Purpose

The servomotor is operated without connecting the shaft to the machine in order to confirm that the following wiring is correct.

- I/O signal wiring between the SERVOPACK and the host controller.
- Motor's rotation direction, motor speed, and number of rotations
- Check the operation of the brake, overtravel, and other protective functions.

### (3) Trial Operation for the Servomotor and Machine Combined (Refer to 8.1.3.)



#### ■ Purpose

The servomotor is connected to the machine and trial operation is performed. The SERVOPACK is adjusted to match the machine characteristics.

- The servomotor's rotation direction, motor speed, and machine travel distance.
- Set the necessary parameters.

Step	Item	Description	Reference
1	Installation and mounting	Install the servomotor and SERVOPACK according to the installation conditions. (Do not connect the servomotor to the machine because the servomotor will be operated first under a no-load condition for checking.)	–
↓			
2	Wiring and connections	Connect the power supply circuit (L1 and L2 or L1, L2 and L3), servomotor wiring (U, V, W), I/O signal wiring (CN1), and encoder wiring (CN2). During <i>(1) Trial Operation for Servomotor without Load</i> , however, disconnect the CN1 connector.	–
↓			
3	Turn ON the power.	Turn ON the power. Check the panel operator to make sure that the SERVOPACK is running normally. If using a servomotor equipped with an absolute encoder, perform the setup for the absolute encoder. (Refer to 8.4.5 <i>Absolute Encoder Setup (Fn008)</i> .)	–
↓			
4	Execute jog mode operation.	Execute jog mode operation with the servomotor alone under a no-load condition.	Jog Operation
↓			
5	Connect input signals.	Connect the input signals (CN1) necessary for trial operation.	–
↓			
6	Check input signals.	Use the internal monitor function to check the input signals. Turn ON the power, and check the emergency stop, brake, overtravel, and other protective functions for correct operation.	–
↓			
7	Input the servo ON signal.	Input the servo ON signal, and turn ON the servomotor.	Host Reference
↓			
8	Input reference.	Input the reference for the control mode being used, and check the servomotor for correct operation.	Host Reference
↓			
9	Check protective operation.	Turn OFF the power, and then connect the servomotor to the machine. If using a servomotor with an absolute encoder, set up the absolute encoder and make the initial settings for the host controller to match the machine's zero position.	–
↓			
10	Set necessary parameters.	Using the same procedure as you did to input a reference in step 8, operate the servomotor from the host controller and set the parameter so that the machine's travel direction, travel distance, and travel speed all correspond to the reference.	Host Reference
↓			
11	Operation	The servomotor can now be operated. Adjust the servo gain if necessary. Refer to 9.1 <i>Autotuning</i> . If a problem occurs, refer to <i>Chapter 11 Inspection, Maintenance, and Troubleshooting</i> .	Host Reference

## 8.1.1 Trial Operation for Servomotor without Load

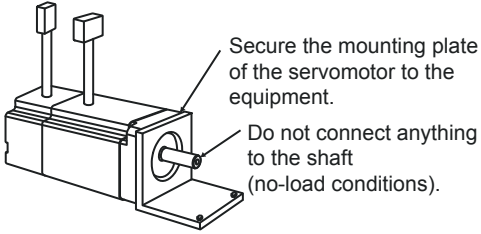
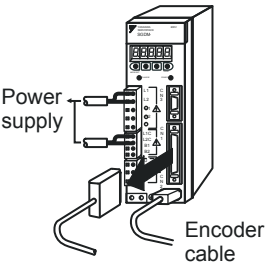
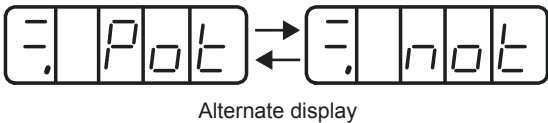

## ⚠ CAUTION

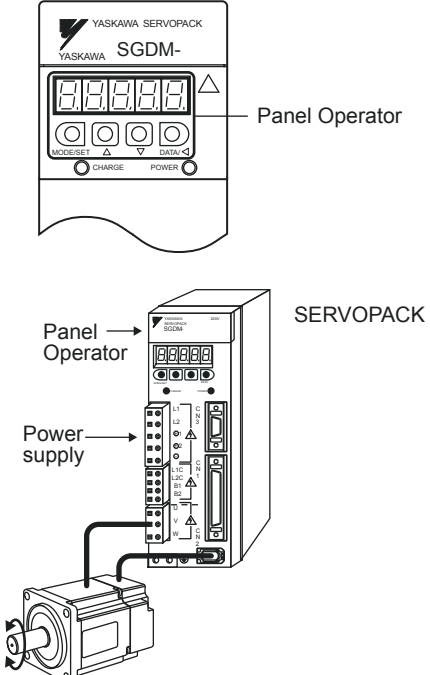
- Release the coupling between the servomotor and the machine, and secure only the servomotor without a load.  
To prevent accidents, initially perform the trial operation for servomotor under no-load conditions (with all couplings and belts disconnected).

In this section, confirm the cable connections of the main circuit power supply, motor and encoder except the connection to host controller. Incorrect wiring is generally the reason why servomotors fail to operate properly during the trial operation.

Confirm the wiring, and then conduct the trial operation for servomotor without load.

The operation and the display are the same both for the panel operator and optional digital operator (JUSP-OP02A-2).

Step	Description	Check Method and Remarks
1	Secure the servomotor. 	Follow 3.8.1 <i>Precautions on Servomotor Installation</i> and secure the servomotor mounting plate to the machine in order to prevent the servomotor from moving during operation.  Do not connect the servomotor shaft to the machine. The servomotor may tip over during rotation.
2	Check the power supply circuit, servomotor, and encoder wiring. 	With the CN1 connector not connected, check the power supply circuit and servomotor wiring. Do not use the CN1 I/O signals here.  Refer to 6.1 <i>Wiring Main Circuit</i> for wiring example of main circuit. Refer to 2.4 <i>Selecting Cables</i> for motor and encoder cables.
3	Turn ON the control power supply and main circuit power supply.  Normal Display  Alternate display  Example of Alarm Display 	If the power is correctly supplied, the panel operator display on the front panel of the SERVOPACK will appear as shown on the left. The display on the left indicates that Forward Run Prohibited (P-OT) and Reverse Run Prohibited (N-OT). For details, refer to 7.1.4 <i>Status Display</i> .  If an alarm display appears, the power supply circuit, servomotor wiring, or encoder wiring is incorrect. If an alarm is displayed, turn OFF the power, find the problem, and correct it. Refer to 11.1 <i>Troubleshooting</i> .
4	Release the brake before driving the servomotor when a servomotor with brake is used. When using an absolute encoder, encoder setup is required before running the servomotor.	Refer to 8.3.4 <i>Setting for Holding Brakes</i> and 8.4.5 <i>Absolute Encoder Setup (Fn008)</i> .  Absolute Encoder Setup (Fn008) operation can be omitted when setting the Pn002 to n.□1□□ (uses absolute encoder as an incremental encoder) only during trial operation.

Step	Description	Check Method and Remarks
5	<p>Operate with the panel operator.</p> 	<p>Use the panel operator to operate the servomotor with utility function Fn002 (Jog Mode Operation).</p> <p>Check that the servomotor rotates in the forward direction by UP key, and reverse direction by DOWN key.</p> <p>The operation is completed when the operation is performed as described below and the alarm display does not appear. Complete the Fn002 (Jog Mode Operation) and turn OFF the power.</p> <p>For operation method of the digital operator and panel operator, refer to 7.1 Functions on Digital Operator/Panel Operator.</p> <p>The servomotor speed can be changed using the Pn304 (JOG Speed). The factory setting for jog speed is 500 min<sup>-1</sup>.</p>

• JOG Mode Operation (Fn002)

Step	Display after Operation	Digital Operator	Panel Operator	Description
1		(DSPL/SET Key)	(MODE/SET Key)	Press the DSPL/SET or MODE/SET Key to select the utility function mode.
2				Press the UP or DOWN Key to select Fn002. Note: The digit that can be set will blink.
3		(DATA/ENTER Key)	(DATA/SHIFT Key) (Press at least 1 s.)	Press the DATA/ENTER Key once, or DATA/SHIFT Key for more than one second. The display shown at the left will appear, and the servomotor will enter JOG operation mode. The servomotor can be operated with the panel operator in this condition.
4		(SVON Key)	(MODE/SET Key)	Press the SVON or MODE/SET Key. This will turn ON the power to the servomotor.
5				Press the UP Key (forward) or DOWN Key (reverse). The servomotor will operate as long as the key is pressed.
6		(DSPL/SET Key)	(MODE/SET Key)	Press the DSPL/SET or MODE/SET Key. This will turn OFF the power to the servomotor. The power will remain OFF even if the SVON or DATA/SHIFT Key is pressed for more than one second.
7		(DATA/ENTER Key)	(DATA/SHIFT Key) (Press at least 1 s.)	Press the DATA/ENTER Key once, or DATA/SHIFT Key for more than one second to return to the Fn002 display of the utility function mode.



The servomotor's rotation direction depends on the setting of parameter Pn000.0 (Direction Selection). The example on the previous page describes operation with Pn000.0 in the factory setting.

Pn304	JOG Speed			Speed	Position	Torque
	Setting Range	Setting Unit	Factory Setting	Setting Validation		
	0 to 10000	1 min <sup>-1</sup>	500	Immediately		
Sets the utility function Fn002 (Jog Mode Operation) to the reference value of motor speed.						

The motor can be operated using only the digital operator without reference from the host controller. The following conditions are required to perform jog mode operation.

1. The servo on (/S-ON) input signal is OFF (H level). Refer to 8.3.1 *Setting the Servo ON Signal*.
2. Pn50A is not set to n.□□7□ (Sets signal ON) with the external input signal allocation. Refer to 7.3.2 *Input Circuit Signal Allocation*.

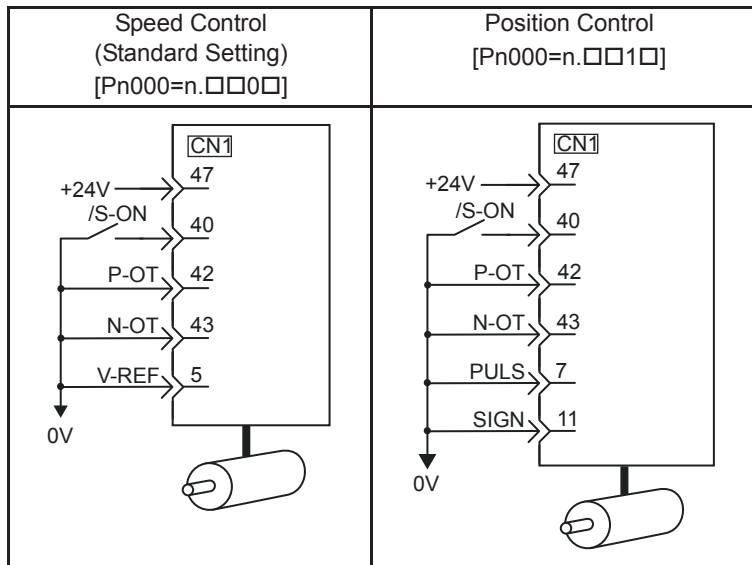
Pay attention that the Forward Run Prohibited (P-OT) and Reverse Run Prohibited (N-OT) signals are invalid during jog mode operation. For the jog mode operation procedures, refer to *pages 8-6 and 8-7*.

## 8.1.2 Trial Operation for Servomotor without Load from Host Reference

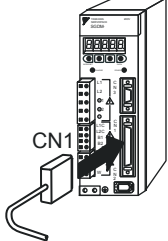


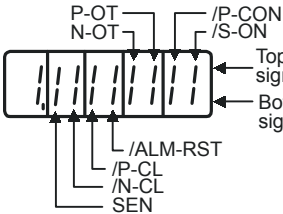

Check that the servomotor move reference or I/O signals are correctly set from the host controller to the SERVO-PACK. Also check that the wiring and polarity between the host controller and SERVOPACK, and the SERVOPACK operation settings are correct. This is final check before connecting the servomotor to the machine.

### (1) Servo ON Command from the Host

The following circuits are required: External input signal circuit or equivalent.

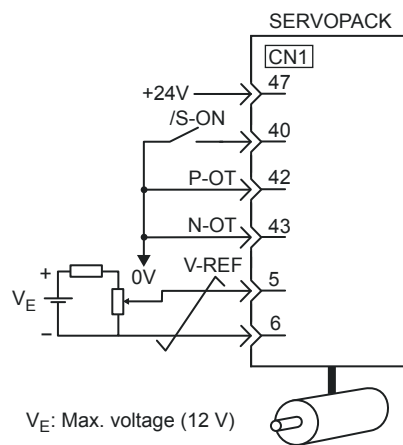


Change the SEN signal (CN1-4) to the H level when an absolute encoder is used.

Step	Description	Check Method and Remarks
1	<p>Configure an input signal circuit necessary for servo ON. Connect the I/O signal connectors (CN1) in the circuit on the previous page or equivalent to input the signal necessary for servo ON. Then turn OFF the power and connect the CN1 to the SERVOPACK.</p> 	<p>Satisfy the following conditions:</p> <ol style="list-style-type: none"> <li>1. Servo ON (/S-ON) input signal can be input.</li> <li>2. Forward Run Prohibited (P-OT) and Reverse Run Prohibited (N-OT) input signals are turned ON (L level). (Forward run and reverse run are prohibited.)</li> <li>3. Reference input (0V reference or 0 pulse) is not input.</li> </ol> <p>To omit the external wiring, the input terminal function can be set to “Always ON” or “Always OFF” using the input signal allocation function of parameter. Refer to 7.3.2 <i>Input Circuit Signal Allocation</i>.</p> <p>When the absolute encoder is used, Absolute Encoder Setup (Fn008) operation and the SEN signal wiring can be omitted when setting the Pn002 to n.□1□□ (Uses absolute encoder as an incremental encoder) only during trial operation.</p>
2	<p>Turn ON the power and make sure that the panel operator display is as shown below.</p> 	<p>The input signal setting is not correct if the display is not the same as on the left. Check the input signal using the Un005 (input signal monitor) from the panel operator.</p>  <p>Un005 =</p> <p>Check input signal wiring in monitor mode using the digital operator. Refer to 7.4.1 <i>List of Monitor Modes</i>.</p> <p>Turn ON and OFF each signal line to see if the LED monitor bit display on the digital operator changes as shown below.</p> <p>Input signal LED display</p>  <p>Un005 =</p> <p>Top lights when input signal is OFF (high level). Bottom lights when input signal is ON (low level).</p> <p>If an absolute encoder is being used, the servo will not turn ON when the servo ON signal (/S-ON) is input unless the SEN signal is also ON. When the SEN signal is checked in monitor mode, the top of the LED will light because the SEN signal is high when ON.</p>
3	<p>Input the /S-ON signal, then make sure that the display of the panel operator is as shown below.</p> 	<p>If an alarm display appears, correct it according to 11.1 <i>Troubleshooting</i>. If there is noise in the reference voltage during speed control, the horizontal line (–) at the far left edge of the panel operator display may blink. Also the servomotor may turn very slowly. Refer to 6.4 <i>Others</i> and take a preventive measure.</p>

## (2) Operating Procedure in Speed Control Mode (Pn000 = n.□□0□)

The following circuit is required: External input signal circuit or equivalent.

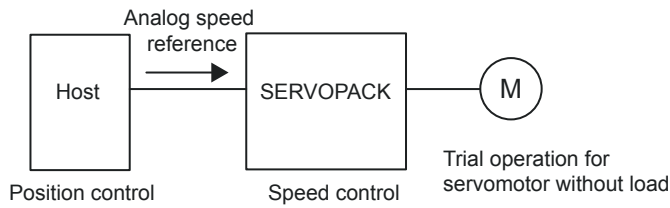


Step	Description	Check Method and Remarks
1	Check the power and input signal circuits again, and check that the speed reference input (voltage between the V-REF and SG) is 0 V.	Refer to the above figure for input signal circuit.
2	Turn ON the servo ON (/S-ON) input signal.	If the servomotor rotates at extremely slow speed, refer to 8.5.3 <i>Adjusting Offset</i> , and use the reference voltage offset to keep the servomotor from moving.
3	Generally increase the speed reference input voltage between V-REF and SG from 0 V.	The factory setting is 6 V/rated rotation speed.
4	Check the speed reference input to the SERVO-PACK (Un000 [ $\text{min}^{-1}$ ]).	Refer to 7.1.3 <i>Basic Mode Selection and Operation</i> for how it is displayed.
5	Check the Un000 (motor speed [ $\text{min}^{-1}$ ]).	Refer to 7.1.3 <i>Basic Mode Selection and Operation</i> for how it is displayed.
6	Check that the Un001 and Un000 values in steps 4 and 5 are equal.	Change the speed reference input voltage and check that Un001 and Un000 values are equal for multiple speed references.
7	Check the speed reference input gain and motor rotation direction.	Refer to the following equation to change the Pn300 (speed reference input gain). $\text{Un001} = (\text{voltage between V-REF}) [\text{V}] \times \text{Pn300} [300 \text{ min}^{-1}/6 \text{ V}]$ To change the motor rotation direction without changing polarity for speed reference input voltage, refer to 8.3.2 <i>Switching the Servomotor Rotation Direction</i> . Perform the operation from step 2 again after the motor rotation direction is changed.
8	When the speed reference input is set to 0 V and servo OFF status enters, the trial operation for servomotor without load is completed.	–





■ When Position Control is configured at the Host

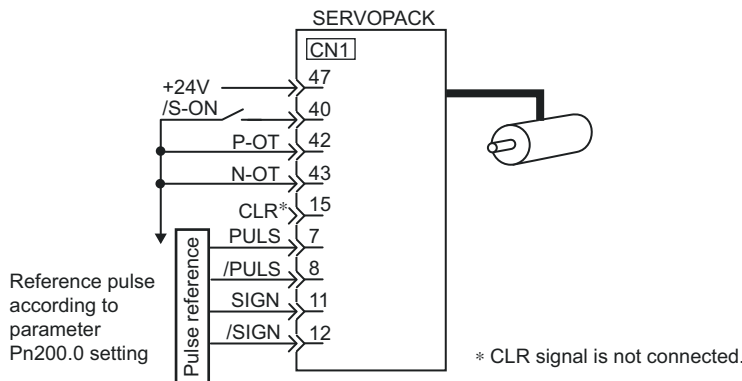


When the SERVOPACK conducts speed control and position control is conducted at the host controller, perform the operations below, following the operations in (2) *Operating Procedure in Speed Control Mode* ( $Pn000 = n.\square\square0\square$ ) on the previous page.

Step	Description	Check Method and Remarks
9	Check the input signal circuit again, and check that the speed reference input (voltage between the V-REF and SG) is 0 V.	Refer to the above figure for input signal circuit.
10	Turn ON the servo ON (/S-ON) input signal.	If the servomotor rotates at extremely slow speed, refer to 8.5.3 <i>Adjusting Offset</i> , and use the reference voltage offset to keep the servomotor from moving.
11	Send the command for the number of motor rotation easy to check (for example, one motor revolution) from the host controller in advance, and check the sent number of rotation and actual number of rotation by visual inspection and the Un003 (rotation angle1)[pulse].	Refer to 7.1.3 <i>Basic Mode Selection and Operation</i> for how it is displayed. Un003 (rotation angle 1)[pulse]: The number of pulses from the zero point.
12	If the sent number of rotation and actual number of rotation in step 11 are not equal, correctly set the Pn201 (PG divided ratio) outputting the encoder pulse from the SERVOPACK.	Refer to 8.5.7 <i>Encoder Signal Output</i> for how to set. PG divider (Pn201 [P/Rev]): The number of encoder pulses per revolution
13	When the speed reference input is set to 0 V and servo OFF status enters, the trial operation for position control with the host controller is completed.	–

(3) Operating Procedure in Position Control Mode (Pn000 = n.□□1□)

The following circuit is required: External input signal circuit or equivalent.



Step	Description	Check Method and Remarks
1	Match the reference pulse form with the pulse output form from the host controller.	Set the reference pulse with Pn200=n.□□□×. Refer to 8.6.1 (2) Setting a Reference Pulse Form.
2	Set the reference unit and electronic gear ratio so that it coincides with the host controller setting.	Set the electronic gear ratio with Pn202/Pn203. Refer to 8.6.2 Setting the Electronic Gear.
3	Turn ON the power and the servo ON (/S-ON) input signal.	–
4	Send the pulse reference for the number of motor rotation easy to check (for example, one motor revolution) and with slow speed from the host controller in advance.	Set the motor speed of several 100 min <sup>-1</sup> for the reference pulse speed because such speed is safe.
5	Check the number of reference pulses input to the SERVOPACK by the changed amount before and after the Un00C (input reference pulse counter) [pulse] was executed.	Refer to 7.1.3 Basic Mode Selection and Operation for how it is displayed. Un00C (input reference pulse counter) [pulse]
6	Check the actual number of motor rotation [pulse] by the changed amount before and after the Un003 (rotation angle 1) [pulse] was executed.	Refer to 7.1.3 Basic Mode Selection and Operation for how it is displayed. Un003 (rotation angle 1) [pulse]
7	Check that steps 5 and 6 satisfy the following equation: Un003=Un00C × (Pn202/Pn203)	–
8	Check that the motor rotation direction is the same as the reference.	Check the input pulse polarity and input reference pulse form. Refer to 8.6.1 (2) Setting a Reference Pulse Form.
9	Input the pulse reference with the large number of motor rotation from the host controller to obtain the constant speed.	Set the motor speed of several 100 min <sup>-1</sup> for the reference pulse speed because such speed is safe.
10	Check the reference pulse speed input to the SERVOPACK using the Un007 (input reference pulse speed) [min <sup>-1</sup> ].  The number of Un007 (input reference pulses) can be obtained from the following equation.  $\text{Un007(input reference pulse speed)} = \underbrace{\text{input reference pulse [pulses/S]} \times 60}_{\text{Reference input ppm}} \times \underbrace{\frac{\text{Pn202}}{\text{Pn203}}}_{\text{Electronic gear ratio}} \times \underbrace{\frac{1}{2^{13}(8192)}}_{\text{Encoder pulse}^*}$	Refer to 7.1.3 Basic Mode Selection and Operation for how it is displayed. Un007 (input reference pulse speed) [min <sup>-1</sup> ]
	* The encoder pulse differs depending on the model of the servomotor used.	
11	Check the motor speed using the Un000 (motor speed) [min <sup>-1</sup> ].	Refer to 7.1.3 Basic Mode Selection and Operation for how it is displayed. Un000 (motor speed) [min <sup>-1</sup> ]



Step	Description	Check Method and Remarks
12	Check that the Un007 and Un000 values in steps 9 and 10 are equal.	–
13	Check the motor rotation direction.	To change the motor rotation direction without changing input reference pulse form, refer to 8.3.2 <i>Switching the Servomotor Rotation Direction</i> . Perform the operation from step 9 again after the motor rotation direction is changed.
14	When the pulse reference input is stopped and servo OFF status enters, the trial operation for servomotor without load and using position control with the host controller is completed.	–

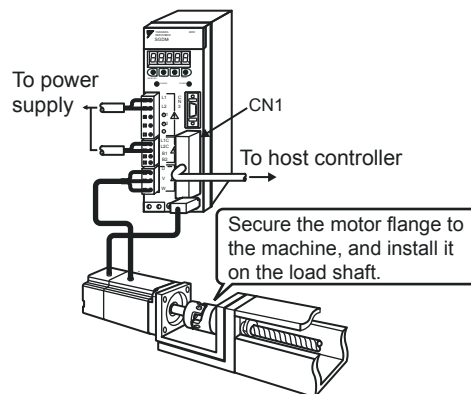
### 8.1.3 Trial Operation with the Servomotor Connected to the Machine

## ⚠ WARNING

- Follow the procedure below for trial operation precisely as given.  
Malfunctions that occur after the servomotor is connected to the machine not only damage the machine, but may also cause an accident resulting death or injury.

Follow the procedures below to perform the trial operation.

1. Set the necessary parameters according to the machine configuration.
2. Match the direction of rotation and speed to equipment specifications.



Step	Description	Check Method and Remarks
1	Turn ON the power and make the settings for mechanical configuration related to protective functions such as overtravel and brake.	Refer to 8.3 <i>Setting Common Basic Functions</i> . When a servomotor with brake is used, take advance measures to prevent vibration due to gravity acting on the machine or external forces before checking the brake operation. Check that both servomotor and brake operations are correct. For details, refer to 8.3.4 <i>Setting for Holding Brakes</i> .
2	Set the necessary parameters for control mode used.	Refer to 8.5 <i>Operating Using Speed Control with Analog Reference</i> , 8.6 <i>Operating Using Position Control</i> , and 8.7 <i>Operating Using Torque Control</i> for control mode used.
3	Connect the servomotor to the machine with coupling, etc., while the power is turned OFF.	Refer to 3.8.1 <i>Precautions on Servomotor Installation</i> .
4	Check that the SERVOPACK is servo OFF status and then turn ON the power to the machine (host controller). Check again that the protective function in step 1 operates normally.	Refer to 8.3 <i>Setting Common Basic Functions</i> . For steps 4 to 8, take advance measures for emergency stop so that the servomotor can stop safely when an error occurs during operation.
5	Perform trial operation with the servomotor connected to the machine, following each section in 8.1.2 <i>Trial Operation for Servomotor without Load from Host Reference</i> .	Check that the trial operation is completed with as the trial operation for servomotor without load. Also check the settings for machine such as reference unit.
6	Check the settings of parameters for control mode used set in step 2 again.	Check that the servomotor rotates matching the machine operating specifications.
7	Adjust the servo gain and improve the servomotor response characteristics, if necessary.	Refer to 9.1 <i>Autotuning</i> . The servomotor will not be broken in completely during the trial operation. Therefore, let the system run for a sufficient amount of additional time to ensure that it is properly broken in.
8	Write the parameters set for maintenance in 12.4 <i>Parameter Recording Table</i> . Then the trial operation with the servomotor connected to the machine is completed.	–

### 8.1.4 Servomotor with Brakes

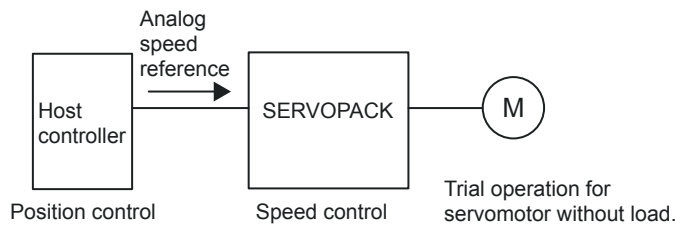
Holding brake operation of the servomotor with brake can be controlled with the brake interlock output (/BK) signal of the SERVOPACK.

When checking the brake operation, take advance measures to prevent vibration due to gravity acting on the machine or external forces. Check the servomotor operation and holding brake operation with the servomotor separated from the machine. If both operations are correct, connect the servomotor and perform trial operation.

For wiring on a servomotor with brakes and parameter settings, refer to 8.3.4 *Setting for Holding Brakes*.

### 8.1.5 Position Control by Host Controller

As described above, be sure to separate the servomotor and machine before performing trial operation of the servomotor without a load. Refer to the following table, and check the servomotor operation and specifications in advance.



Reference from the Host Controller	Check Item	Check Method	Review Items	Reference Section
JOG Operation (Constant Reference Speed Input from Host Controller)	Motor Speed	Check motor speed as follows: <ul style="list-style-type: none"> <li>• Use the motor speed monitor (Un000) on the panel operator.</li> <li>• Run the servomotor at low speed. Input a reference speed of <math>60 \text{ min}^{-1}</math> for example to check to see if the servomotor makes one revolution per second.</li> </ul>	Check the parameter setting at Pn300 to see if reference speed gain is correct.	8.5.1
Simple Positioning	No. of motor rotation	Input a reference equivalent to one motor rotation and visually check to see if the shaft makes one revolution.	Check the parameter setting at Pn201 to see if the number of PG dividing pulses is correct.	8.5.7
Overtravel (P-OT and N-OT Used)	Whether the servomotor stops rotating when P-OT and N-OT signals are input	Check to see if the servomotor stops when P-OT and N-OT signals are input during continuous servomotor operation.	Review P-OT and N-OT wiring if the servomotor does not stop.	8.3.3

## 8.2 Control Mode Selection

The control modes supported by the SGDM SERVOPACK are described below.

Parameter	Control Mode	Reference Section	
<b>Pn000</b>	n.□□0□ (Factory setting)	Speed Control (Analog voltage speed reference) Controls servomotor speed by means of an analog voltage speed reference. Use in the following instances. • To control speed • For position control using the encoder feedback division output from the SERVOPACK to form a position loop in the host controller.	8.5
	n.□□1□	Position Control (Pulse train reference) Controls the position of the servomotor by means of a pulse train position reference. Controls the position with the number of input pulses, and controls the speed with the input pulse frequency. Use when positioning is required.	8.6
	n.□□2□	Torque Control (Analog voltage reference) Controls the servomotor's output torque by means of an analog voltage torque reference. Use to output the required amount of torque for operations such as pressing.	8.7
	n.□□3□	Speed Control (Internally set speed selection) Uses the three input signals /P-CON (/SPD-D), /P-CL (/SPD-A), and /N-CL (/SPD-B) to control the speed as set in advance in the SERVOPACK. Three operating speeds can be set in the SERVOPACK. (In this case, an analog reference is not necessary.)	8.8
	n.□□4□ . . . n.□□B□	These are switching modes for using the four control methods described above in combination. Select the control method switching mode that best suits the application.	8.10

## 8.3 Setting Common Basic Functions

### 8.3.1 Setting the Servo ON Signal

This sets the servo ON signal (/S-ON) that determines whether the servomotor power is ON or OFF.

#### (1) Servo ON signal (/S-ON)

Type	Name	Connector Pin Number	Setting	Meaning
Input	/S-ON	CN1-40 (Factory setting)	ON (low level)	Servomotor power ON. Servomotor can be operated.
			OFF (high level)	Servomotor power OFF. Servomotor cannot be operated.

#### ■ IMPORTANT

Always input the servo ON signal before inputting the input reference to start or stop the servomotor. Do not input the input reference first and then use the /S-ON signal to start or stop. Doing so will degrade internal elements and lead to malfunction.

A parameter can be used to re-allocate the input connector number for the /S-ON signal. Refer to 7.3.2 *Input Circuit Signal Allocation*.

#### (2) Enabling/Disabling the Servo ON Signal

A parameter can be always used to set a parameter servo ON condition. This eliminates the need to wire /S-ON, but care must be taken because the SERVOPACK can operate as soon as the power is turned ON.

Parameter	Meaning
<b>Pn50A</b> n.□□0□	Inputs the /S-ON signal from the input terminal CN1-40. (Factory setting)
n.□□7□	Constantly enables the /S-ON signal.

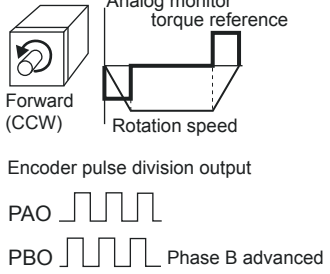
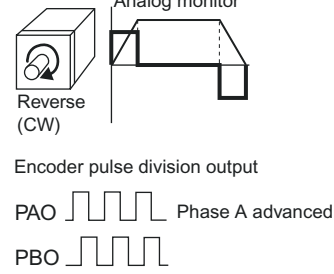
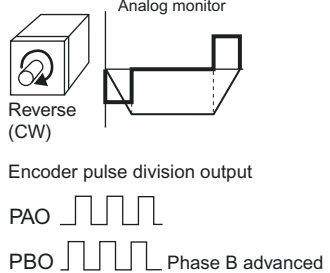
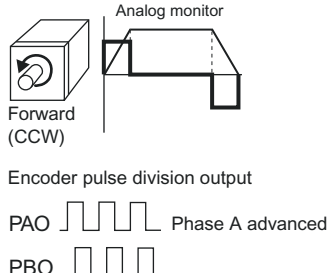
- After changing these parameters, turn OFF the main circuit and control power supplies and then turn them ON again to enable the new settings.
- When the parameter is set to constantly “enable” the signal, resetting an alarm can only be done by turning the power OFF and ON. (Alarm reset is disabled.)

### 8.3.2 Switching the Servomotor Rotation Direction

The rotation direction of the servomotor can be switched without changing the reference pulse to the SERVO-PACK or the reference voltage polarity.

This causes the travel direction (+, -) of the shaft reverse. The output signal polarity such as encoder pulse output and analog monitor signal from the SERVOPACK does not change.

The standard setting for “forward rotation” is counterclockwise as viewed from the drive end.

Parameter	Name	Reference	
		Forward Reference	Reverse Reference
<b>Pn000</b>	<b>n.□□□0</b>	Standard setting (CCW = Forward) (Factory setting)  Forward (CCW) Encoder pulse division output PAO Phase A advanced PBO Phase B advanced	 Reverse (CW) Encoder pulse division output PAO Phase A advanced PBO Phase B advanced
	<b>n.□□□1</b>	Reverse Rotation Mode (CW = Forward)  Reverse (CW) Encoder pulse division output PAO Phase A advanced PBO Phase B advanced	 Forward (CCW) Encoder pulse division output PAO Phase A advanced PBO Phase B advanced
The direction of P-OT and N-OT change. For Pn000 = n.□□□0 (standard setting), counterclockwise is P-OT. For Pn000 = n.□□□1 (Reverse Rotation Mode), clockwise is P-OT.			



### 8.3.3 Setting the Overtravel Limit Function

The overtravel limit function forces movable machine parts to stop if they exceed the allowable range of motion and turn ON a limit switch.

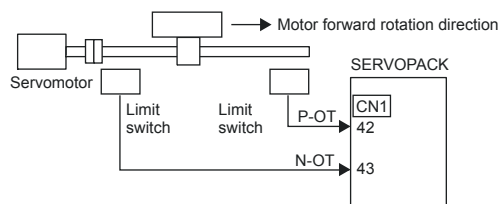
#### (1) Connecting the Overtravel Signal

To use the overtravel function, connect the following overtravel limit switch input signal terminals.

Type	Name	Connector Pin Number	Setting	Meaning
Input	P-OT	CN1-42 (Factory setting)	ON (low level)	Forward rotation allowed. Normal operation status.
			OFF (high level)	Forward rotation prohibited. Forward overtravel.
Input	N-OT	CN1-43 (Factory setting)	ON (low level)	Reverse rotation allowed. Normal operation status.
			OFF (high level)	Reverse rotation prohibited. Reverse overtravel.

Connect limit switches as shown below to prevent damage to the devices during linear motion.

Rotation in the opposite direction is possible during overtravel. For example, reverse rotation is possible during forward overtravel.



#### ■ IMPORTANT

When the servomotor stops due to overtravel during position control, the position error pulses are held. A clear signal (CLR) input is required to clear the error pulses.

## ⚠ CAUTION

When using the servomotor on a vertical axis, the workpiece may fall in the overtravel condition.

To prevent this, always set the zero clamp after stopping with Pn001 = n.□□1□.

Refer to (3) *Selecting the Motor Stop Method When Overtravel is Used* in this section.

#### (2) Enabling/Disabling the Overtravel Signal

A parameter can be set to disable the overtravel signal. If the parameter is set, there is no need to wire the overtravel input signal.

Parameter	Meaning
<b>Pn50A</b>	n.2□□□ Inputs the Forward Run Prohibited (P-OT) signal from CN1-42. (Factory setting)
	n.8□□□ Disables the Forward Run Prohibited (P-OT) signal. (Allows constant forward rotation.)
<b>Pn50B</b>	n.□□□3 Inputs the Reverse Run Prohibited (N-OT) signal from CN1-43. (Factory setting)
	n.□□□8 Disables the Reverse Run Prohibited (N-OT) signal. (Allows constant reverse rotation.)

- Applicable control methods: Speed control, position control, and torque control
- After changing these parameters, turn OFF the main circuit and control power supplies and then turn them ON again to enable the new settings.

\* A parameter can be used to re-allocate input connector number for the P-OT and N-OT signals. Refer to 7.3.2 *Input Circuit Signal Allocation*.

### (3) Selecting the Motor Stop Method When Overtravel is Used

This is used to set the stop method when an overtravel (P-OT, N-OT) signal is input while the motor is operating.

Parameter	Stop Mode	Mode After Stopping	Meaning	
<b>Pn001</b>	n.□□00	Stop by dynamic brake	Coast	Rapidly stops the servomotor by dynamic braking (DB), then places it into Coast (power OFF) Mode.
	n.□□01			
	n.□□02	Coast to a stop		Stops the servomotor in the same way as when the servo is OFF (coasts to a stop), then places it into Coast (power OFF) Mode.
	n.□□1□	Decelerate to stop	Zero Clamp	Decelerates the servomotor with emergency stop torque (Pn406), then places it into Zero Clamp (Servolock) Mode.
	n.□□2□		Coast	Decelerates the servomotor with emergency stop torque (Pn406), then places it into Coast (power OFF) Mode.

- During torque control, the Pn001.1 setting (the stopping method by Pn001.0) is not effective. The servomotor stops by dynamic braking (DB) or coasts to a stop.
- After it is stopped, the servomotor enters Coast Mode.
- After changing these parameters, turn OFF the main circuit and control power supplies and then turn them ON again to enable the new settings.
- Even during Coast Mode, the servomotor can be rotated in the opposite direction in which overtravel occurred.

■ TERMS

- Stop by dynamic brake: Stops by using the dynamic brake (with short-circuiting by a circuit of SERVOPACK).
- Coast to a stop: Stops naturally, with no brake, by using the friction resistance of the motor in operation.
- Decelerate to stop: Stops by using deceleration (braking) torque.
- Zero Clamp Mode: A mode forms a position loop by using the position reference zero.

\* For details on stopping methods when the servo turns OFF or when an alarm occurs, refer to 8.3.5 *Selecting the Stopping Method After Servo OFF*.

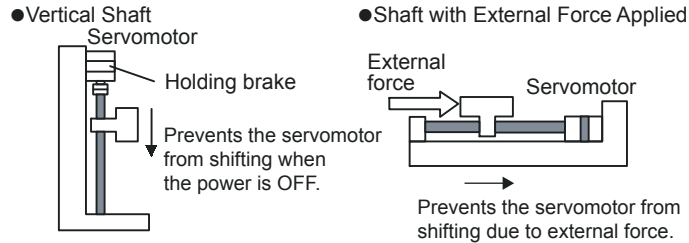
### (4) Setting the Stop Torque for Overtravel

<b>Pn406</b>	Emergency Stop Torque			Speed	Position	Torque
	Setting Range	Setting Unit	Factory Setting	Setting Validation		
	0 to 800	1%	800	Immediately		

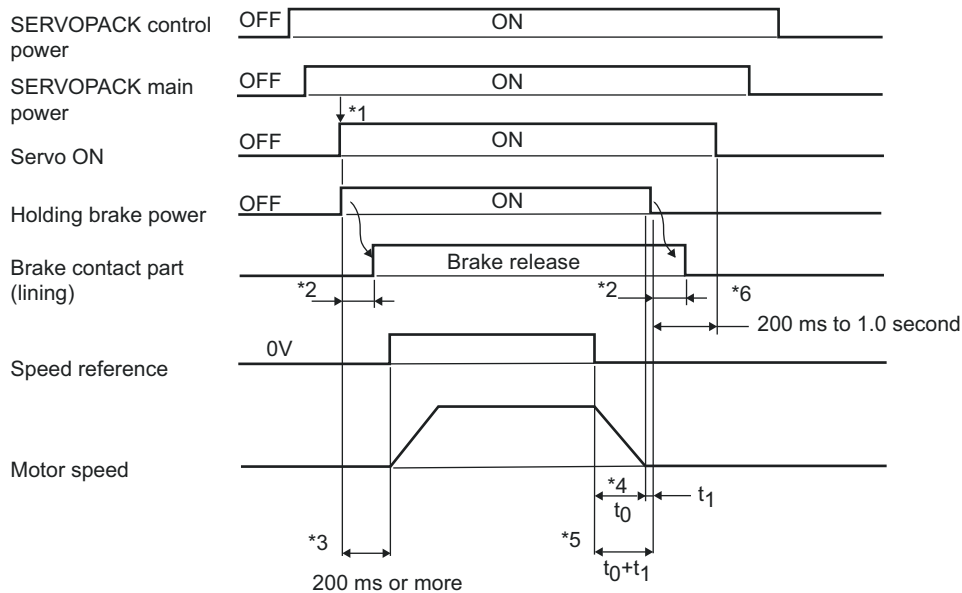
- This sets the stop torque for when the overtravel signal (P-OT, N-OT) is input.
- The setting unit is a percentage of the rated torque (i.e., the rated torque is 100%).
- The value large enough to be the motor maximum torque, 800% is set as the factory setting for emergency stop torque. However, the actual output emergency stop torque is determined by motor ratings.

### 8.3.4 Setting for Holding Brakes

The holding brake is used when a SERVOPACK controls a vertical axis. In other words, a servomotor with brake prevents the movable part from shifting due to gravity when the SERVOPACK power goes OFF. (Refer to 8.1.4 Servomotor with Brakes.)



There is a delay in the braking operation. Set the following ON/OFF timing. The timing can be easily set using the brake interlock output signal.



- \* 1. The servo ON signal and holding brake power supply may be turned ON simultaneously.
- \* 2. The operation delay time of the brake depends on the model. For details, refer to *Table 8.1 Brake Operation Delay Time*.
- \* 3. Allow a period of 200 ms before the speed reference is input after the brake power supply is turned ON.
- \* 4. The servomotor stop time is shown by  $t_0$ . Refer to *Table 8.2 Calculation Method for Servomotor Stop Time* for the calculation of  $t_0$ .
- \* 5. Always turn OFF the brake power supply after the servomotor comes to a stop. Usually, set  $t_0+t_1$  to 1 or 2 seconds.
- \* 6. Turn OFF the servo ON signal 0.2 to 1.0 second after the brake power supply is turned OFF.

Table 8.1 Brake Operation Delay Time

Model	Voltage	Brake Open Time (ms)	Brake Operation Time (ms)
SGMAH-A3, A5	90 V	20	100
	24 V	30	
SGMAH-01	90 V	30	100
	24 V		
SGMAH-02, 04	90 V	40	200
	24 V	60	
SGMAH-08	90 V	50	250
	24 V	80	100
SGMPH-01	90 V	20	100
	24 V		
SGMPH-02	90 V	20	100
	24 V		
SGMPH-04	90 V	20	100
	24 V	60	
SGMPH-08	90 V	20	100
	24 V		
SGMPH-15	90 V	20	100
	24 V		
SGMGH-05 (1500 min <sup>-1</sup> )	90 V	100	80
SGMGH-03 (1000 min <sup>-1</sup> )	24 V		
SGMGH-09 (1500 min <sup>-1</sup> )	90 V	100	80
SGMGH-06 (1000 min <sup>-1</sup> )	24 V		
SGMGH-13 (1500 min <sup>-1</sup> )	90 V	100	80
SGMGH-09 (1000 min <sup>-1</sup> )	24 V		
SGMGH-20 (1500 min <sup>-1</sup> )	90 V	170	80
SGMGH-12 (1000 min <sup>-1</sup> )	24 V		100
SGMGH-30 (1500 min <sup>-1</sup> )	90 V	170	80
SGMGH-20 (1000 min <sup>-1</sup> )	24 V		100
SGMGH-44 (1500 min <sup>-1</sup> )	90 V	170	80
SGMGH-30 (1000 min <sup>-1</sup> )	24 V		100
SGMGH-55 (1500 min <sup>-1</sup> )	90 V	170	80
SGMGH-40 (1000 min <sup>-1</sup> )	24 V		
SGMGH-75 (1500 min <sup>-1</sup> )	90 V	170	80
SGMGH-55 (1000 min <sup>-1</sup> )	24 V		
SGMGH-1A (1500 min <sup>-1</sup> )	90 V	170	80
	24 V		
SGMGH-1E(1500 min <sup>-1</sup> )	90 V	250	80
	24 V		
SGMSH-10	90 V	170	80
	24 V		
SGMSH-15	90 V	170	80
	24 V		
SGMSH-20	90 V	170	80
	24 V		
SGMSH-30	90 V	100	80
	24 V		
SGMSH-40	90 V	100	80
	24 V		

Table 8.1 Brake Operation Delay Time (Cont'd)

Model	Voltage	Brake Open Time (ms)	Brake Operation Time (ms)
SGMSH-50	90 V	100	80
	24 V		
SGMDH-22	90 V	170	80
	24 V		
SGMDH-32	90 V	170	80
	24 V		
SGMDH-40	90 V	170	80
	24 V		

Note: The above operation delay time is an example when the power supply is turned ON and OFF on the DC side.

Be sure to evaluate the above times on the actual equipment before using the application.

Table 8.2 Calculation Method for Servomotor Stop Time

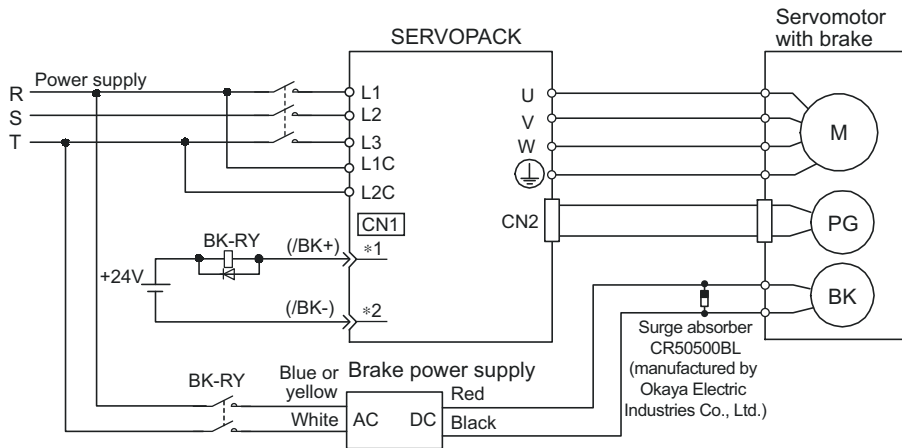
Using SI Units	Conventional Method
$t_0 = \frac{(J_M + J_L) \times N_M}{(T_P + T_L)} \times \frac{2\pi}{60}$ (sec)	$t_0 = \frac{(GD_M^2 + GD_L^2) \times N_M}{375 \times (T_P + T_L)}$ (sec)
$J_M$ : Rotor moment of inertia ( $\text{kg}\cdot\text{m}^2$ )	$GD_M^2$ : Motor $GD^2$ ( $\text{kgf}\cdot\text{m}^2$ )
$J_L$ : Load moment of inertia ( $\text{kg}\cdot\text{m}^2$ )	$GD_L^2$ : Load inertia $GD^2$ ( $\text{kgf}\cdot\text{m}^2$ )
$N_M$ : Motor rotational speed ( $\text{min}^{-1}$ )	$N_M$ : Motor rotational speed (r/min)
$T_P$ : Motor deceleration torque ( $\text{N}\cdot\text{m}$ )	$T_P$ : Motor deceleration torque ( $\text{kgf}\cdot\text{m}$ )
$T_L$ : Load torque ( $\text{N}\cdot\text{m}$ )	$T_L$ : Load torque ( $\text{kgf}\cdot\text{m}$ )

**IMPORTANT**

1. The brake built into the servomotor with brakes is a deenergization brake, which is used only to hold and cannot be used for braking. Use the holding brake only to hold a stopped motor. Brake torque is at least 120% of the rated motor torque.
2. When operating using only a speed loop, turn OFF the servo and set the input reference to 0 V when the brake is applied.
3. When forming a position loop, do not use a mechanical brake while the servomotor is stopped because the servomotor enters servolock status.

### (1) Wiring Example

Use the SERVOPACK contact output signal /BK and the brake power supply to form a brake ON/OFF circuit. The following diagram shows a standard wiring example.



BK-R Y: Brake control relay

Brake power supply Input voltage 200-V models: LPSE-2H01

Input voltage 100-V models: LPDE-1H01

\*1 and \*2 are the output terminals allocated with Pn50F.2.

### (2) Brake Interlock Output

Type	Name	Connector Pin Number	Setting	Meaning
Output	/BK	Must be allocated	ON (low level)	Releases the brake.
			OFF (high level)	Applies the brake.
<p>This output signal controls the brake and is used only for a servomotor with a brake. This output signal is not used with the factory settings. The output signal must be allocated (with Pn50F). It does not need to be connected for servomotors without a brake.</p> <p>■ IMPORTANT The /BK signal is not output during overtravel, or when there is no power to the servomotor.</p>				

### (3) Allocating Brake Signals (/BK)

The brake signal (/BK) is not used with the factory settings. The output signal must be allocated.

Parameter		Connector Pin Number		Meaning
		+ Terminal	- Terminal	
Pn50F	n.□0□□	-	-	The /BK signal is not used. (Factory setting)
	n.□1□□	CN1-25	CN1-26	The /BK signal is output from output terminal CN1-25, 26.
	n.□2□□	CN1-27	CN1-28	The /BK signal is output from output terminal CN1-27, 28.
	n.□3□□	CN1-29	CN1-30	The /BK signal is output from output terminal CN1-29, 30.
<p>■ IMPORTANT When set to the factory setting, the brake signal is invalid. When multiple signals are allocated to the same output terminal, the signals are output with OR logic. To output the /BK signal alone, disable the other output signals or set them to output terminals other than the one allocated to the /BK signal. For the allocation of SERVOPACK output signals other than /BK signal, refer to 7.3.3 Output Circuit Signal Allocation.</p>				

#### (4) Setting the Brake ON Timing after the Servomotor Stops

With the factory setting, the /BK signal is output at the same time as the servo is turned OFF. The servo OFF timing can be changed with a parameter.

<b>Pn506</b>	Delay Time from Brake Reference Until Servo OFF			Speed	Position	Torque
	Setting Range	Setting Unit	Factory Setting	Setting Validation		
	0 to 50 (0 to 500 ms)	10 ms	0	Immediately		
<ul style="list-style-type: none"> <li>When using the servomotor to control a vertical axis, the machine movable part may shift slightly depending on the brake ON timing due to gravity or an external force. By using this parameter to delay turning the servo OFF, this slight shift can be eliminated.</li> <li>This parameter changes the brake ON timing while the servomotor is stopped. For details on brake operation while the servomotor is operating, refer to (5) <i>Setting the Brake ON Timing When Servomotor Running</i> in this section.</li> </ul>						
<p>■ <b>IMPORTANT</b></p> <p>The servomotor will turn OFF immediately when an alarm occurs, regardless of the setting of this parameter. The machine movable part may shift due to gravity or external force during the time until the brake operates.</p>						

#### (5) Setting the Brake ON Timing When Servomotor Running

The following parameters can be used to change the /BK signal output conditions when a stop reference is output during servomotor operation due to the servo OFF or an alarm occurring.

<b>Pn507</b>	Brake Reference Output Speed Level			Speed	Position	Torque
	Setting Range	Setting Unit	Factory Setting	Setting Validation		
	0 to 10000	1 min <sup>-1</sup>	100	Immediately		
<b>Pn508</b>	Timing for Brake Reference Output during Motor Operation			Speed	Position	Torque
	Setting Range	Setting Unit	Factory Setting	Setting Validation		
	10 to 100 (100 to 1000 ms)	10 ms	50 (500 ms)	Immediately		
<p><b>/BK Signal Output Conditions When Servomotor Running</b></p> <p>The /BK signal goes to high level (brake ON) when either of the following conditions is satisfied:</p> <ul style="list-style-type: none"> <li>When the motor speed falls below the level set in Pn507 after the servo OFF.</li> <li>When the time set in Pn508 is exceeded after the servo OFF.</li> </ul>						
<p>■ <b>IMPORTANT</b></p> <ul style="list-style-type: none"> <li>The servomotor will be limited to its maximum speed even if the value set in Pn507 is higher than the maximum speed.</li> <li>Allocate the running output signal (/TGON) and the brake signal (/BK) to different terminals.</li> <li>If the brake signal (/BK) and running output signal (/TGON) are allocated to the same output terminal, the /TGON signal will go to low level at the speed at which the movable part drops on the vertical axis, which means that the /BK signal will not go to high level even if the conditions of this parameter are met. (This is because signals are output with OR logic when multiple signals are allocated to the same output terminal.) For output signal allocations, refer to 7.3.3 <i>Output Circuit Signal Allocation</i>.</li> </ul>						

### 8.3.5 Selecting the Stopping Method After Servo OFF

The stopping method when the power to the SERVOPACK turns OFF can be selected.

Parameter	Stop Mode	Mode After Stopping	Meaning
<b>Pn001</b>	n.□□□0	Stop by dynamic brake	Dynamic Brake
	n.□□□1		Coast
	n.□□□2	Coast to a stop	Coast

These parameters are valid under the following conditions:

- When the /S-ON input signal is OFF (Servo OFF).
- When an alarm occurs.
- When the main circuit power supply (L1, L2, or L3) is OFF; Some motors, depending on the model, are stopped by dynamic braking (DB). Refer to the following section labelled, ■ IMPORTANT.

Similar to the Coast Mode, the n.□□□0 setting (which stops the servomotor by dynamic braking and then holds it in Dynamic Brake Mode) does not generate any braking force when the servomotor stops or when it rotates at very low speed.

#### ■ TERMS

- Stop by dynamic brake: Stops by using the dynamic brake (with short-circuiting by a circuit of SERVOPACK).
- Coast to a stop: Stops naturally, with no brake, by using the friction resistance of the motor in operation.

#### ■ IMPORTANT

The SERVOPACK is **forced to stop by dynamic braking, regardless of the settings of this parameter**, when the main circuit power supply (L1, L2, L3) or control power supply (L1C, L2C) turns OFF.

- SGDM-A3BD to -02BD, SGDM-A3BDA to 02BDA (30 to 200 W for 100 V)
- SGDM-A3AD to -15AD, SGDM-A3ADA to 15ADA (30 to 1.5 kW for 200 V)

If the servomotor must be stopped by coasting rather than by dynamic braking when the main circuit power supply (L1, L2, L3) or the control power supply (L1C, L2C) turns OFF, arrange the sequence externally so the servomotor wiring (U, V, W) will be interrupted.

#### IMPORTANT

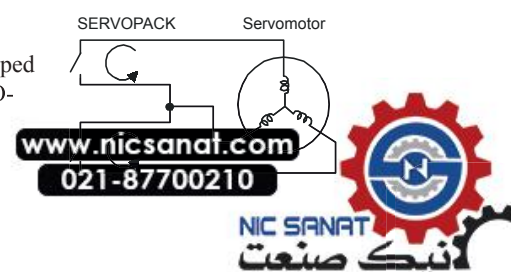
The dynamic brake (DB)<sup>1</sup> is an emergency stop function.

If the servomotor is frequently started and stopped by turning the power ON/OFF or using the servo ON signal (/S-ON), the DB circuit will also be repeatedly operated, degrading the SERVOPACK's internal elements. Use the speed input reference and position reference to control the starting and stopping of the servomotor.



#### <sup>1</sup> Dynamic brake (DB)

A common method for quickly stopping a servomotor. The servomotor is stopped by short-circuiting the servomotor circuit. This circuit is built into the SERVOPACK.





### 8.3.6 Instantaneous Power Loss Settings

Determines whether to continue operation or turn the servo OFF when the power supply voltage to the SERVO-PACK main circuit is instantaneously interrupted.

Pn509	Instantaneous Power Cut Hold Time				
			Speed	Position	Torque
	Setting Range	Setting Unit	Factory Setting	Setting Validation	
	20 to 1000	1 ms	20	Immediately	

In power loss detection, the status of the main circuit power supply is detected and OFF status is ignored so servomotor operation will continue if the servomotor turns back ON within the time set in parameter Pn509.

In the following instances, however, the parameter setting will be invalid.

- If an insufficient voltage alarm (A.41) occurs during a power loss with a large servomotor load.
- When control is lost (equivalent to normal power OFF operation) with loss of the control power supply.

■ **IMPORTANT**  
The maximum setting for the hold time during a power loss is 1,000 ms, but the hold time for the SERVOPACK control power supply is about 100 ms. The hold time for the main circuit power supply depends on the SERVO-PACK output.

To continue SERVOPACK operation for a power loss that is longer than this, provide an uninterruptible power supply.

## 8.4 Absolute Encoders

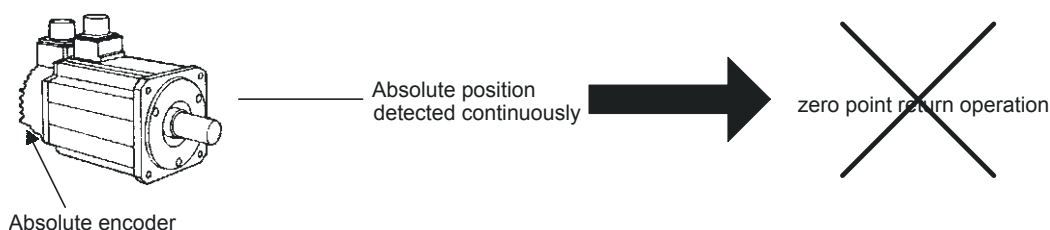
### ⚠ WARNING

- The output range of multiturn data for the  $\Sigma$ -II series absolute detection system differs from that for conventional systems (15-bit encoder and 12-bit encoder). When an infinite length positioning system of the conventional type is to be configured with the  $\Sigma$ -II series, be sure to make the following system modification.

If a motor with an absolute encoder is used, a system to detect the absolute position can be made in the host controller. Consequently, operation can be performed without zero point return operation immediately after the power is turned ON.

SGM□H-□□□1□ servomotor: With 16-bit absolute encoder

SGM□H-□□□2□ servomotor: With 17-bit absolute encoder

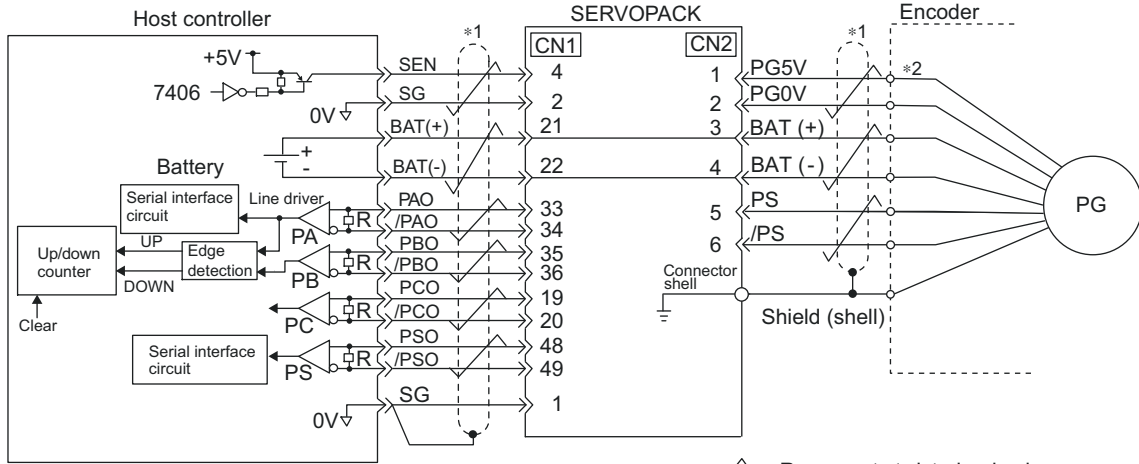


Absolute Encoder Type	Resolution	Output Range of Multiturn Data	Action when Limit Is Exceeded
$\Sigma$ -I Series SGD SGDA SGDB	12-bit 15-bit	-99999 to + 99999	<ul style="list-style-type: none"> <li>When the upper limit (+99999) is exceeded in the forward direction, the multiturn data is 0.</li> <li>When the lower limit (-99999) is exceeded in the reverse direction, the multiturn data is 0.</li> </ul>
$\Sigma$ -II Series SGDM SGDH SGDP	16-bit 17-bit	-32768 to + 32767	<ul style="list-style-type: none"> <li>When the upper limit (+32767) is exceeded in the forward direction, the multiturn data is -32768.*</li> <li>When the lower limit (-32768) is exceeded in the reverse direction, the multiturn data is +32767.*</li> </ul>

\* The action differs when the Multiturn Limit Setting (Pn205) is changed. Refer to 8.4.7 *Multiturn Limit Setting*.

### 8.4.1 Interface Circuits

The following diagram shows the standard connections for a an absolute encoder mounted to a servomotor. The connection cables and wiring pin numbers depend on the servomotor. For details, refer to *chapter 5 Specifications and Dimensional Drawings of Cables and Peripheral Devices*.



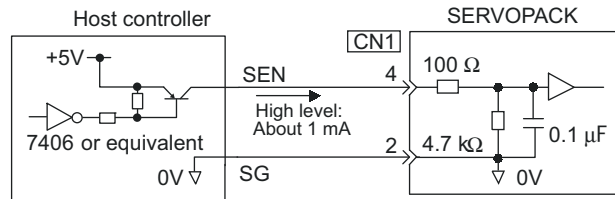
Applicable line receiver:  
Texas Instruments's SN75175 or KM3486  
Terminating resistance R: 220 to 470 Ω

\*1. : Represents twisted-pair wires.  
\*2. For wiring pin numbers, refer to *chapter 5 Specifications and Dimensional Drawings of Cables and Peripheral Devices*

#### • SEN Signal Connection

Type	Name	Connector Pin Number	Setting	Meaning
Input	SEN	CN1-4	OFF (low level)	Input when power is turned ON
			ON (high level)	Input at absolute data request

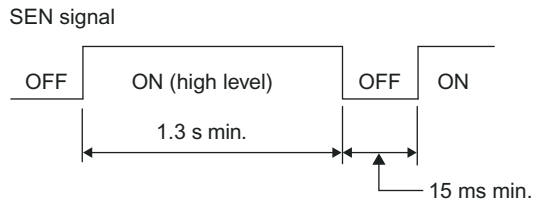
- This input signal is required to output absolute data from the SERVOPACK.
  - When the SERVOPACK main circuit power supply turns OFF, input the SEN signal at a low level.
  - Let at least three seconds elapse after turning ON the power before changing the SEN signal to high level.
  - When the SEN signal changes from low level to high level, the multiturn data and initial incremental pulses are output.
- Until these operations have been completed, the servomotor cannot be turned ON regardless of the status of the servo ON signal (/S-ON).
- The panel operator display will also remain "b.b". Refer to *8.4.6 Absolute Encoder Reception Sequence*.



We recommend a PNP transistor.  
Signal levels  
High: 4.0 V min., Low: 0.8 V max.

#### ■ IMPORTANT

1. Maintain the high level for at least 1.3 seconds when the SEN signal is turned OFF and then ON, as shown in the figure on the right.
2. When the SERVOPACK main circuit power supply turns OFF, input the SEN signal at a low level.



## 8.4.2 Selecting an Absolute Encoder

An absolute encoder can also be used as an incremental encoder.

Parameter	Meaning
<b>Pn002</b> n.□0□□	Use the absolute encoder as an absolute encoder. (Factory setting)
n.□1□□	Use the absolute encoder as an incremental encoder.

- The SEN signal and back-up battery are not required when using the absolute encoder as an incremental encoder.
- After changing these parameters, turn OFF the main circuit and control power supplies and then turn them ON again to enable the new settings.

## 8.4.3 Handling Batteries

In order for the absolute encoder to retain position data when the power is turned OFF, the data must be backed up by a battery.

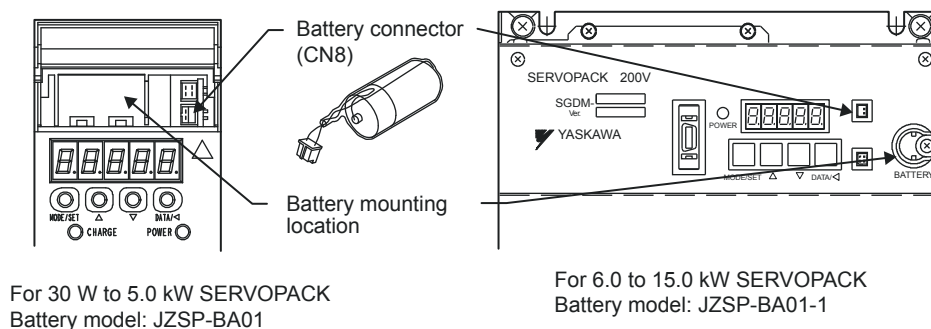
⊘ PROHIBITED
<ul style="list-style-type: none"> <li>• Install the battery at either the host controller or the SERVOPACK. It is dangerous to install batteries at both simultaneously, because that sets up a loop circuit between the batteries.</li> </ul>

Battery Installation Location	Yaskawa Model*	Manufacturer Model	Specifications	Manufacturer
Host controller	—	ER6VC3	Lithium battery 3.6 V 2000mAh	Toshiba Battery Co., Ltd.
SERVOPACK	30 W to 5.0 kW	JZSP-BA01	Lithium battery 3.6 V 1000mAh	Toshiba Battery Co., Ltd.
	6.0 to 15.0 kW	JZSP-BA01-1		

\* For Yaskawa model, a connector is included with a battery.

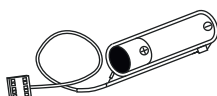
### (1) Battery Provided for SERVOPACK

Install the battery with the following model due to the SERVOPACK capacity.



### (2) Installing the Battery at the Host Controller

Prepare the battery according to the specifications of the host controller. Use the battery with the model number ER6VC3 (3.6 V, 2000 mAh made by Toshiba Battery Co., Ltd.) or the equivalent



### 8.4.4 Replacing Batteries

The SERVOPACK will generate an absolute encoder battery alarm (A.83) when the battery voltage drops below about 2.7 V. This alarm is output, however, only when the SERVOPACK power is turned ON. If the voltage drops while the SERVOPACK power is ON, the SERVOPACK will not generate the alarm.

- **Battery Replacement Procedure**

1. Replace the battery with only the SERVOPACK control power supply turned ON.
2. After replacing the battery, turn OFF the SERVOPACK power to cancel the absolute encoder battery alarm (A.83).
3. Turn ON the SERVOPACK power back again. If it operates without any problems, the battery replacement has been completed.

**IMPORTANT**

If the SERVOPACK control power supply is turned OFF and the battery is disconnected (which includes disconnecting the encoder cable), **the absolute encoder data will be deleted**. The absolute encoder must be setup again. Refer to 8.4.5 *Absolute Encoder Setup (Fn008)*.

### 8.4.5 Absolute Encoder Setup (Fn008)

Setting up (initializing) the absolute encoder is necessary in the following cases.

- When starting the machine for the first time
- When an encoder backup error alarm (A.81) is generated
- When an encoder checksum error alarm (A.82) is generated
- When the data of the absolute encoder is to be set within the number of pulses of one rotation.

Use a built-in type digital operator in the SERVOPACK or a digital operator for setup.

**IMPORTANT**

1. Encoder setup operation is only possible when the servo is OFF.
2. If the following absolute encoder alarms are displayed, cancel the alarm by using the same method as the setup (initializing). They cannot be canceled with the SERVOPACK alarm reset input signal (/ALM-RST).
  - Encoder backup error alarm (A.81)
  - Encoder checksum error alarm (A.82)

Any other alarms that monitor the inside of the encoder should be canceled by turning OFF the power, then canceling the alarm.

3. Multiturn data sometimes takes -1, 0, +1 when setup. (The values vary depending on the difference of motors (encoders) and the position when setup is executed.)  
When setup, make sure to read the multiturn data and the number of initial incremental pulse.

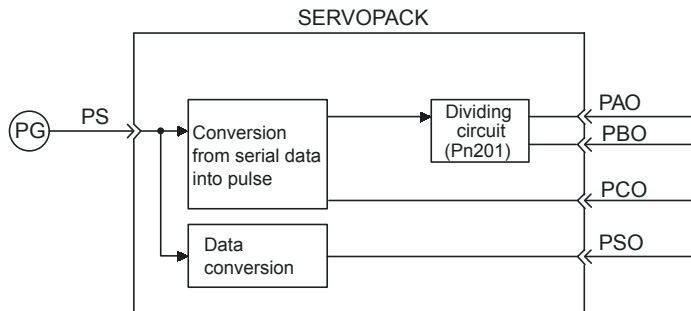
Step	Display after Operation	Digital Operator	Panel Operator	Description
1	Alarm generated			
2		 (DSPL/SET Key)	 MODE/SET (MODE/SET Key)	Press the DSPL/SET or MODE/SET Key to select the utility function mode.
3				Press the UP or DOWN Key to select parameter Fn008. Note: The digit that can be set will blink.
4		 (DATA/ENTER Key)	 DATA/ (DATA/SHIFT Key) (Press at least 1 s.)	Press the DATA/ENTER Key once, or DATA/SHIFT Key for more than one second. The display will be as shown at the left.
5				Continue pressing the UP Key until PGCL5 is displayed. Note: If there is a mistake in the key operation, “nO_OP” will blink for about one second. The panel operator or digital operator will return to the utility function mode.
6		 (DSPL/SET Key)	 MODE/SET (MODE/SET Key)	Press the DSPL/SET or MODE/SET Key. This will clear the multiturn data of the absolute encoder. When completed, “donE” will blink for about one second.
7		About one second later		After “donE” is displayed, “PGCL5” will be displayed again.
8		 (DATA/ENTER Key)	 DATA/ (DATA/SHIFT Key) (Press at least 1 s.)	Press the DATA/ENTER Key once, or DATA/SHIFT Key for more than one second to return to the Fn008 display of the utility function mode.
9	Turn OFF the power, and then turn it ON again to make the setting valid.			

## 8.4.6 Absolute Encoder Reception Sequence

The sequence in which the SERVOPACK receives outputs from the absolute encoder and transmits them to host controller is shown below.

### (1) Outline of Absolute Signals

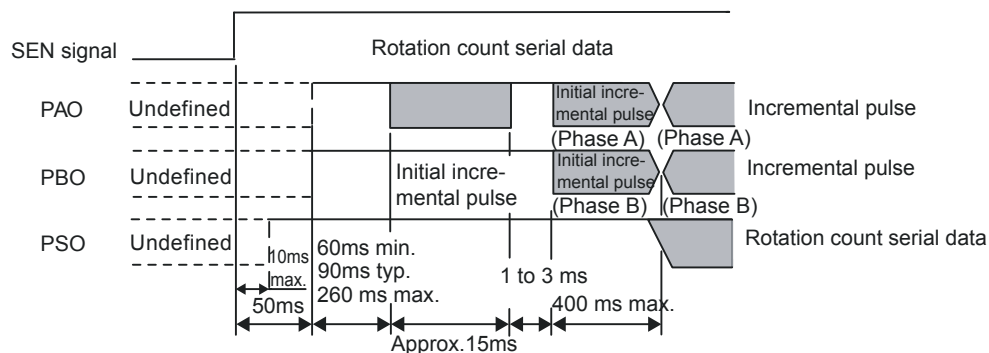
The serial data, pulses, etc., of the absolute encoder that are output from the SERVOPACK are output from the PAO, PBO, PCO, and PSO signals as shown below.



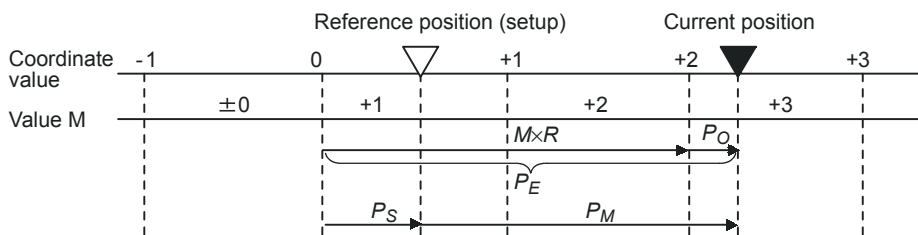
Signal Name	Status	Meaning
PAO	At initial status	Serial data Initial incremental pulse
	At normal status	Incremental pulse
PBO	At initial status	Initial incremental pulse
	At normal status	Incremental pulse
PCO	Always	Zero point pulse
PSO	Always	Rotation count serial data

### (2) Absolute Encoder Transmission Sequence and Contents

1. Set the SEN signal at high level.
2. After 100 ms, set the system to serial data reception-waiting-state. Clear the incremental pulse up/down counter to zero.
3. Receive eight bytes of serial data.
4. The system enters a normal incremental operation state about 25 ms after the last serial data is received.



- Serial data: Indicates how many turns the motor shaft has made from the reference position (position specified at setup).
- Initial incremental pulse: Outputs pulses at the same pulse rate as when the motor shaft rotates from the origin to the current position at about  $1250 \text{ min}^{-1}$  (for 17 bits when the dividing pulse is at the factory setting).



Final absolute data  $P_M$  is calculated by following formula.

$$P_E = M \times R + P_O$$

$$P_M = P_E - P_S$$

Use the following for reverse rotation mode (Pn000.0 = 1).

$$P_E = -M \times R + P_O$$

$$P_M = P_E - P_S$$

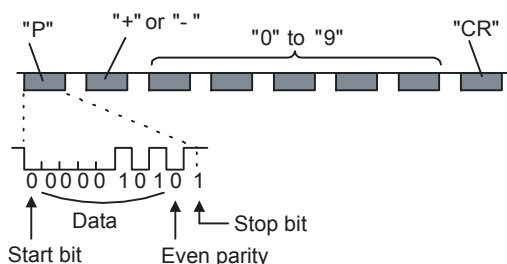
$P_E$	Current value read by encoder
$M$	Multiturn data (rotation count data)
$P_O$	Number of initial incremental pulses
$P_S$	Absolute data read at setup (This is saved and controlled by the host controller.) $P_S = M_S \times R + P_S'$
$M_S$	Multiturn data read at setup
$P_S'$	Number of initial incremental pulses read at setup
$P_M$	Current value required for the user's system
$R$	Number of pulses per encoder revolution (pulse count after dividing, value of Pn201)

### (3) Detailed Signal Specifications

#### (a) PAO Serial Data Specifications

The number of revolutions is output in five digits.

Data Transfer Method	Start-stop Synchronization (ASYNC)
Baud rate	9600 bps
Start bits	1 bit
Stop bits	1 bit
Parity	Even
Character code	ASCII 7-bit code
Data format	8 characters, as shown below.



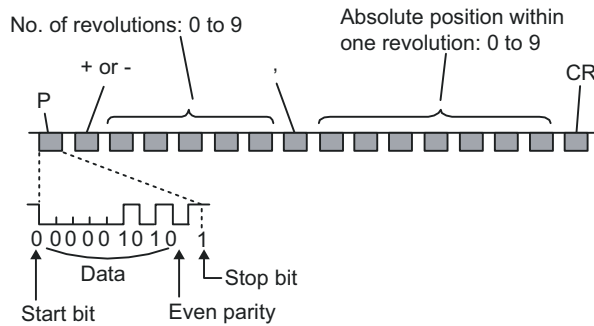
- Note: 1. Data is "P+00000" (CR) or "P-00000" (CR) when the number of revolutions is zero.  
 2. The revolution range is "+32767" to "-32768." When this range is exceeded, the data changes from "+32767" to "-32678" or from "-32678" to "+32767." When changing multiturn limit, the range changes. For details, refer to 8.4.7 Multiturn Limit Setting.



(b) PSO Serial Data Specifications

The number of revolutions is always output in five digits and seven digits (absolute position within one revolution).

Data Transfer Method	Start-stop Synchronization (ASYNC)
Baud rate	9600 bps
Start bits	1 bit
Stop bits	1 bit
Parity	Even
Character code	ASCII 7-bit code
Data format	13 characters, as shown below.

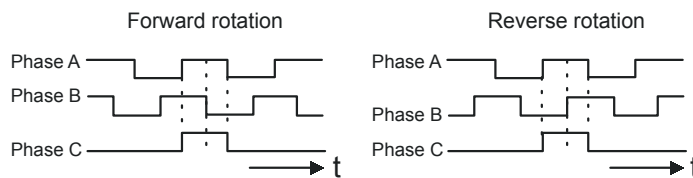


- Note: 1. The absolute position data within one revolution is the value before divided.  
 2. The absolute position data increases during forward rotation. (The reverse rotation mode is invalid.)

(c) Incremental Pulses and Zero-Point Pulses

Just as with normal incremental pulses, initial incremental pulses which provide absolute data are first divided by the frequency divider inside the SERVOPACK and then output.

For details, refer to 8.5.7 Encoder Signal Output.



(4) Transferring Alarm Contents

When an absolute encoder is used, SEN signals can be utilized to transfer the alarm detection contents from PAO outputs to the host controller as serial data.

For alarm list, refer to 11.1.1 Alarm Display Table.

SEN Signal	
Panel Operator (Digital Operator) Display	<p>or</p> <div style="display: flex; justify-content: space-around;"> <div style="border: 1px solid black; padding: 2px;"> <span style="font-family: monospace;">run</span> </div> <div style="border: 1px solid black; padding: 2px;"> <span style="font-family: monospace;">AS1</span> Overspeed                             </div> </div>
PAO Serial Data	

### 8.4.7 Multiturn Limit Setting

## ⚠ WARNING

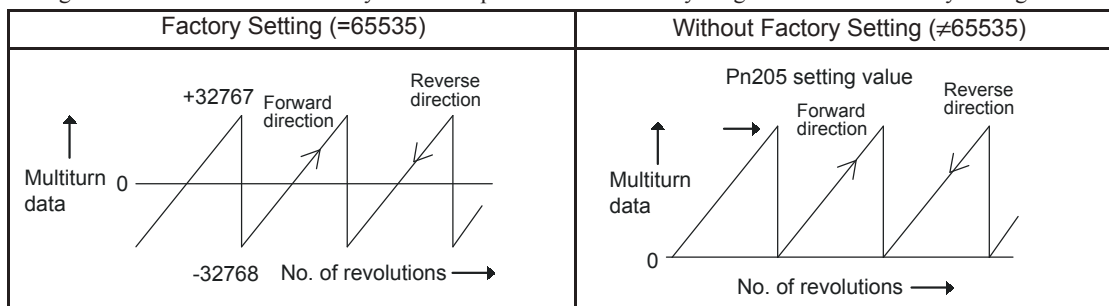
- The multiturn limit value must be changed only for special applications. Changing it inappropriately or unintentionally can be dangerous.
- If the Multiturn Limit Disagreement alarm (A.CC) occurs, check the setting of parameter Pn205 to be sure that it is correct.

If Fn013 is executed when an incorrect value is set in Pn205, an incorrect value will be set in the encoder. The alarm will disappear even if an incorrect value is set, but incorrect positions will be detected, resulting a dangerous situation where the machine will move to unexpected positions and machine break and personal accident will occur.

The parameter for the multiturn limit setting sets the upper limit for the multiturn data from the encoder into Pn002 = n□0□□ when using an absolute encoder. When the rotation amount exceeds this setting, the encoder rotation amount returns to 0.

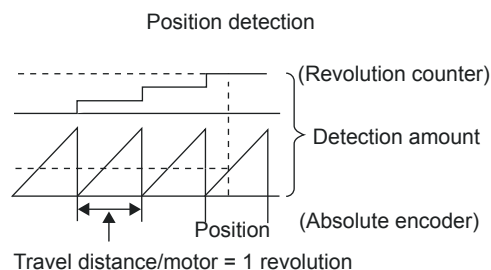
<b>Pn205</b>	Multiturn Limit Setting			Speed	Position	Torque
	Setting Range	Setting Unit	Factory Setting	Setting Validation		
	0 to 65535	1 Rev	65535	After restart		

This parameter is valid when Pn002 = n□0□□ (when the absolute encoder is used).  
 The range of the multiturn data will vary when this parameter is set to anything other than the factory setting.



■ When Set to Anything Other than the Factory Setting (≠65535)

When the motor rotates in the reverse direction with the multiturn data at 0, the multiturn data will change to the setting of Pn205.  
 When the motor rotates in the forward direction with the multiturn data at the Pn205 setting, the multiturn data will change to 0.  
 Set the Pn205 to (the desired multiturn data -1).



• Encoder Multiturn Limit Disagreement

If the Pn205 value is changed from the factory setting and the power is turned OFF then ON, an alarm will be displayed.

Alarm Display	Alarm Name	Alarm Code Outputs			Meaning
A.CC	Multiturn Limit Disagreement	ALO1 ON (L)	ALO2 OFF (H)	ALO3 ON (L)	Different multiturn limits have been set in the encoder and SERVOPACK.

When the alarm is displayed, be sure to change the multiturn limit value within the encoder.

### 8.4.8 Multiturn Limit Setting When Multiturn Limit Disagreement (A.CC) Occurred

Perform the following operation using the digital operator or panel operator.

This operation can only be done when the A.CC alarm is generated.

Step	Display after Operation	Digital Operator	Panel Operator	Description
1		 (DSPL/SET Key)	 (MODE/SET Key)	Press the DSPL/SET or MODE/SET Key to select the utility function mode.
2		 		Press the LEFT/RIGHT or UP/DOWN Key or the UP or DOWN Key to set the parameter Fn013. *The digit that can be set will blink.
3		 (DATA/ENTER Key)	 (DATA/SHIFT Key) (Press at least 1 s.)	Press the DATA/ENTER Key once, or DATA/SHIFT Key for more than one second. The display on the left will appear.
4		 (DSPL/SET Key)	 (MODE/SET Key)	Press the DSPL/SET or MODE/SET Key. The multiturn limit setting in the absolute encoder will be changed. When the setting is completed, "donE" will blink for about one second.
5		About one second later		After "donE" is displayed, "PGSEt" will be displayed again.
6		 (DATA/ENTER Key)	 (DATA/SHIFT Key) (Press at least 1 s.)	Press the DATA/ENTER Key once, or DATA/SHIFT Key for more than one second to return to the Fn013 display of the utility function mode.
7	Turn OFF the power, and then turn it ON again to make the setting valid.			

## 8.5 Operating Using Speed Control with Analog Reference

### 8.5.1 Setting Parameters

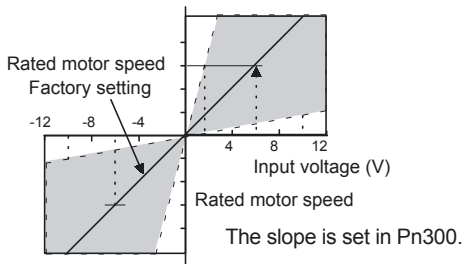
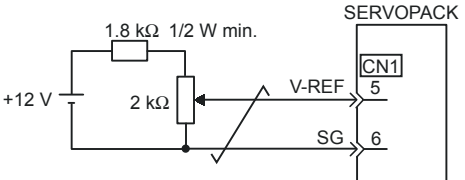
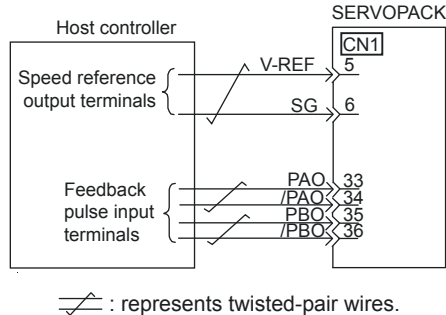
Parameter	Description
<b>Pn000</b> n.□□0□	Control mode selection: Speed control (analog reference) (factory setting)

Pn300	Speed Reference Input Gain			
	Setting Range	Setting Unit	Factory Setting	Setting Validation
	1.50 to 3000 (150 to 30.00 V/Rated speed)	0.01 V/Rated speed	600 (6 V/ Rated speed)	Immediately
<p>Sets the analog voltage level for the speed reference (V-REF) necessary to operate the servomotor at the rated speed.</p> <p>■ EXAMPLE</p> <p>Pn300=600: 6-V input is equivalent to the rated speed of the servomotor (factory setting).</p> <p>Pn300=1000: 10-V input is equivalent to the rated speed of the servomotor.</p> <p>Pn300=200: 2-V input is equivalent to the rated speed of the servomotor.</p>				

## 8.5.2 Setting Input Signals

### (1) Speed Reference Input

Input the speed reference to the SERVOPACK using the analog voltage reference to control the servomotor speed in proportion to the input voltage.

Type	Signal Name	Connector Pin Number	Name																
Input	V-REF	CN1-5	Speed Reference Input																
	SG	CN1-6	Signal Ground for Speed Reference Input																
<p>The above inputs are used for speed control (analog voltage reference). (Pn000.1 = 0, 4, 7, 9, or A) Pn300 is used to set the speed reference input gain. Refer to 8.5.1 <i>Setting Parameters</i>.</p> <p>■ Input Specifications</p> <ul style="list-style-type: none"> <li>• Input range: <math>\pm 2</math> VDC to <math>\pm 10</math> VDC/rated speed</li> <li>• Maximum allowable input voltage: <math>\pm 12</math> VDC</li> </ul>																			
		<p>• Setting Example</p> <p>Pn300 = 600: Rated speed at <math>\pm 6</math> V Actual examples are shown below.</p> <table border="1"> <thead> <tr> <th>Speed Reference Input</th> <th>Rotation Direction</th> <th>Motor Speed</th> <th>SGMAH Servomotor</th> </tr> </thead> <tbody> <tr> <td>+6 V</td> <td>Forward</td> <td>Rated motor speed</td> <td>3000 min<sup>-1</sup></td> </tr> <tr> <td>+1 V</td> <td>Forward</td> <td>1/6 rated motor speed</td> <td>500 min<sup>-1</sup></td> </tr> <tr> <td>-3 V</td> <td>Reverse</td> <td>1/2 rated motor speed</td> <td>1500 min<sup>-1</sup></td> </tr> </tbody> </table> <p>Parameter Pn300 can be used to change the voltage input range.</p>		Speed Reference Input	Rotation Direction	Motor Speed	SGMAH Servomotor	+6 V	Forward	Rated motor speed	3000 min <sup>-1</sup>	+1 V	Forward	1/6 rated motor speed	500 min <sup>-1</sup>	-3 V	Reverse	1/2 rated motor speed	1500 min <sup>-1</sup>
Speed Reference Input	Rotation Direction	Motor Speed	SGMAH Servomotor																
+6 V	Forward	Rated motor speed	3000 min <sup>-1</sup>																
+1 V	Forward	1/6 rated motor speed	500 min <sup>-1</sup>																
-3 V	Reverse	1/2 rated motor speed	1500 min <sup>-1</sup>																
<p>■ Input Circuit Example</p> <ul style="list-style-type: none"> <li>• Always use twisted-pair wire to control noise.</li> <li>• Recommended variable resistor: Model 25HP-10B manufactured by Sakae Tsushin Kogyo Co., Ltd.</li> </ul> 		<p>Connect V-REF and SG to the speed reference output terminals on the host controller when using a host controller, such as a programmable controller, for position control.</p>  <p>⚡ : represents twisted-pair wires.</p>																	

### (2) Proportional Control Reference (/P-CON)

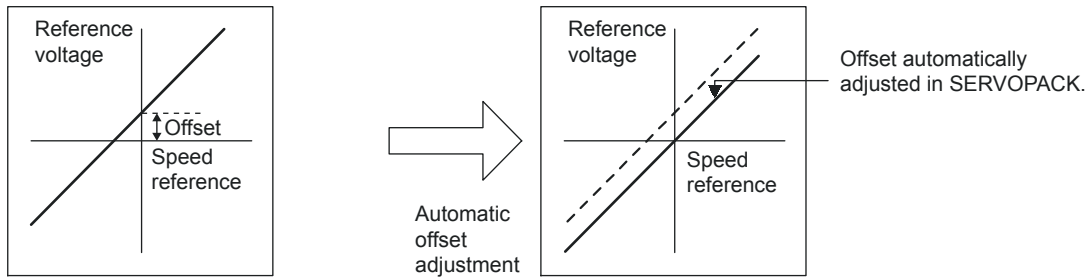
Type	Signal Name	Connector Pin Number	Setting	Description
Input	/P-CON	CN1-41	ON (low level)	Operates the SERVOPACK with proportional control.
			OFF (high level)	Operates the SERVOPACK with proportional integral control.
<p>/P-CON signal selects either the PI (proportional integral) or P (proportional) Speed Control Mode. Switching to P control reduces servomotor rotation and minute vibrations due to speed reference input drift. Input reference: At 0 V, the servomotor rotation due to drift will be reduced, but servomotor rigidity (holding force) drops when the servomotor is stopped. Note: A parameter can be used to reallocate the input connector number for the /P-CON signal. Refer to 7.3.2 <i>Input Circuit Signal Allocation</i>.</p>				

### 8.5.3 Adjusting Offset

When using the speed control, the servomotor may rotate slowly even if 0 V is specified as the analog voltage reference. This happens if the host controller or external circuit has a slight offset (in the units of mV) in the reference voltage. Adjustments can be done manually or automatically by using the panel operator or digital operator. Refer to 7.2 *Operation in Utility Function Mode (Fn□□□)*.

The automatic adjustment of the analog (speed, torque) reference offset (Fn009) automatically measures the amount of the offset and adjusts the reference voltage.

The SERVOPACK automatically adjusts the offset when the host controller or external circuit has the offset in the reference voltage.



After completion of the automatic adjustment, the amount of offset is stored in the SERVOPACK. The amount of offset can be checked in the speed reference offset manual adjustment mode (Fn00A). Refer to 8.5.3 (2) *Manual Adjustment of the Speed Reference Offset*.

### (1) Automatic Adjustment of the Speed Reference Offset

The automatic adjustment of reference offset (Fn009) cannot be used when a position loop has been formed with a host controller and the error pulse is changed to zero at the servomotor stop due to servolock. Use the speed reference offset manual adjustment (Fn00A) described in the next section for a position loop.

The zero-clamp speed control function can be used to force the motor to stop while the zero speed reference is given. Refer to 8.5.6 Using the Zero Clamp Function.

#### IMPORTANT

The speed reference offset must be automatically adjusted with the servo OFF.

Adjust the speed reference offset automatically in the following procedure.

Step	Display after Operation	Digital Operator	Panel Operator	Description
1				Turn OFF the SERVOPACK, and input the 0-V reference voltage from the host controller or external circuit.
2				Press the DSPL/SET or MODE/SET Key to select the utility function mode.
3				Press the LEFT/RIGHT or UP/DOWN Key, or UP or DOWN Key to select parameter Fn009. *The digit that can be set will blink.
4				Press the DATA/ENTER Key once, or DATA/SHIFT Key for more than one second. "rEF_o" will be displayed.
5				Press the DSPL/SET or MODE/SET Key. The reference offset will be automatically adjusted. When completed, "donE" will blink for about one second.
6		About one second later		After "donE" is displayed, "rEF_o" will be displayed again.
7				Press the DATA/ENTER Key once, or DATA/SHIFT Key for more than one second to return to the Fn009 display of the utility function mode.

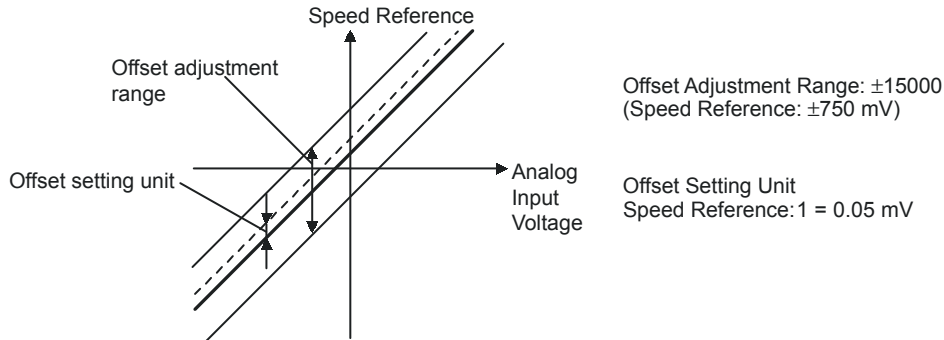
## (2) Manual Adjustment of the Speed Reference Offset

Use the speed reference offset manual adjustment (Fn00A) in the following situations:

- If a loop is formed with the host controller and the position error pulse is to be zero when servolock is stopped.
- To deliberately set the offset to some value.
- To check the offset data set in the speed reference offset automatic adjustment mode.

This function operates in the same way as the reference offset automatic adjustment mode (Fn009), except that the amount of offset is directly input during the adjustment.

The offset setting range and setting units are as follows:



Adjust the speed reference offset manually in the following procedure.

Step	Display after Operation	Digital Operator	Panel Operator	Description
1		 (DSPL/SET Key)	 MODE/SET (MODE/SET Key)	Press the DSPL/SET or MODE/SET Key to select the utility function mode.
2				Press the UP or DOWN Key to select parameter Fn00A. *The digit that can be set will blink.
3		 (DATA/ENTER Key)	 DATA (DATA/SHIFT Key) (Press at least 1 s.)	Press the DATA/ENTER Key once, or DATA/SHIFT Key for more than one second. The display will be as shown at the left. The manual adjustment mode for the speed reference offset will be entered.
4		Servo ON		Turn ON the servo ON (/S-ON) signal. The display will be as shown at the left.
5			 DATA (DATA/SHIFT Key) (Press less than 1 s.)	Press the LEFT or RIGHT Key or DATA/SHIFT Key for less than one second to display the speed reference offset amount.
6				Press the UP or DOWN Key to adjust the amount of offset.
7			 MODE/SET (MODE/SET Key) (Press less than 1 s.)	Press the LEFT or RIGHT Key or MODE/SET Key for less than one second. The display will appear momentarily as shown at the left, and “done” will blink and the offset will be set. After the setting is completed, the display will return to the display as shown at the left.
8		 (DATA/ENTER Key)	 DATA (DATA/SHIFT Key) (Press at least 1 s.)	Press the DATA/ENTER Key once, or DATA/SHIFT Key for more than one second to return to the Fn00A display of the utility function mode.



### 8.5.4 Soft Start

The soft start function converts the stepwise speed reference inside the SERVOPACK to a consistent rate of acceleration and deceleration.

<b>Pn305</b>	Soft Start Acceleration Time <span style="float: right;">Speed</span>		
	Setting Range	Setting Unit	Factory Setting
	0 to 10000	1 ms	0
<b>Pn306</b>	Soft Start Deceleration Time <span style="float: right;">Speed</span>		
	Setting Range	Setting Unit	Factory Setting
	0 to 10000	1 ms	0

The soft start function enables smooth speed control when inputting a stepwise speed reference or when selecting internally set speeds. Set both Pn305 and Pn306 to "0" for normal speed control.

Set these parameters as follows:

- Pn305: The time interval from the time the motor starts until the motor maximum speed is reached.
- Pn306: The time interval from the time the motor is operating at the motor maximum speed until it stops.

### 8.5.5 Speed Reference Filter

<b>Pn307</b>	Speed Reference Filter Time Constant <span style="float: right;">Speed</span>		
	Setting Range	Setting Unit	Factory Setting
	0 to 65535 (0 to 655.35 ms)	0.01 ms	40 (0.40 ms)

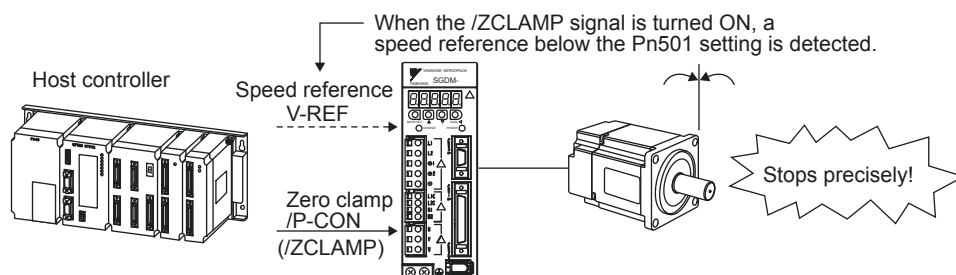
This smoothens the speed reference by applying a 1st-order delay filter to the analog speed reference (V-REF) input. A value that is too large, however, will slow down response.

### 8.5.6 Using the Zero Clamp Function

#### (1) Zero Clamp Function

The zero clamp function is used for systems where the host controller does not form a position loop for the speed reference input. When the zero clamp signal (/ZCLAMP) is ON, a position loop is formed inside the SERVOPACK as soon as the input voltage of the speed reference (V-REF) drops below the motor speed level in the zero clamp level (Pn501). The servomotor ignores the speed reference and then quickly stops and locks the servomotor.

The servomotor is clamped within  $\pm 1$  pulse of when the zero clamp function is turned ON, and will still return to the zero clamp position even if it is forcibly rotated by external force.



(2) Parameter Setting

Parameter	Meaning
<b>Pn000</b> n.□□A□	Control mode selection: Speed control (analog voltage reference) ↔ Zero clamp
<p><b>Zero Clamp Conditions</b></p> <p>Zero clamp is performed with Pn000 = n.□□A□ when the following two conditions are satisfied:</p> <ul style="list-style-type: none"> <li>• /P-CON (/ZCLAMP) is ON (low level).</li> <li>• Speed reference (V-REF) drops below the setting of Pn501.</li> </ul>	
<div style="display: flex; justify-content: space-around; align-items: flex-start;"> <div style="text-align: center;"> <p>SERVOPACK CN1 5 41</p> <p>Speed reference → V-REF</p> <p>Zero clamp → /P-CON (/ZCLAMP)</p> </div> <div style="text-align: center;"> <p>Speed</p> <p>V-REF speed reference</p> <p>Preset value for zero clamping Pn501</p> <p>Time</p> <p>/P-CON (/ZCLAMP) input: Open (OFF) / Closed (ON)</p> <p>Zero clamp is performed. ON / OFF / ON / OFF / ON</p> </div> </div>	

<b>Pn501</b>	Zero Clamp Level	Speed		
	Setting Range	Setting Unit	Factory Setting	Setting Validation
	0 to 10000	1 min <sup>-1</sup>	10	Immediately
<p>Sets the motor speed at which the zero clamp is performed if zero clamp speed control (Pn000 = n.□□A□) is selected. Even if this value is set higher than the maximum speed of the servomotor, the maximum speed will be used.</p>				

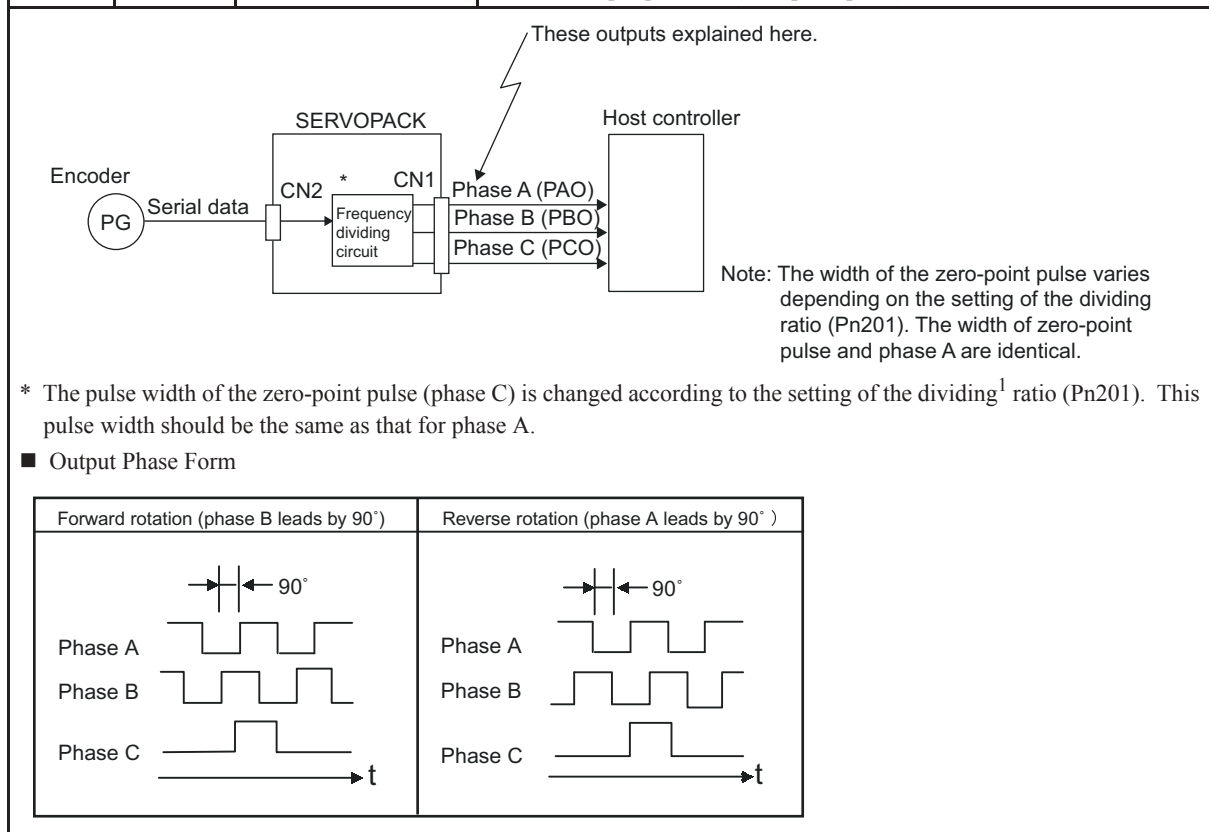
(3) Input Signal Setting

Type	Signal Name	Connector Pin Number	Setting	Meaning
Input	/P-CON	CN1-41	ON (low level)	Zero clamp function ON (enabled)
			OFF (high level)	Zero clamp function OFF (disabled)
	/ZCLAMP	Must be allocated	ON (low level)	Zero clamp function ON (enabled)
			OFF (high level)	Zero clamp function OFF (disabled)
<p>This is the input signal for the zero clamp operation.                      Either /P-CON or /ZCLAMP can be used to switch the zero clamp.                      To switch to zero clamp operation using a /P-CON signal, set Pn50A.0 to 0.                      To use the /ZCLAMP signal, set Pn50A.0 to 1, and allocate an input signal. Refer to 7.3.2 <i>Input Circuit Signal Allocation</i> for more details.</p>				
<p>■ <b>IMPORTANT</b>                      When the /ZCLAMP signal is allocated, the zero clamp operation will be used even for speed control Pn000 = n.□□0□.</p>				

## 8.5.7 Encoder Signal Output

Encoder feedback pulses processed inside the SERVOPACK can be output externally.

Type	Signal Name	Connector Pin Number	Name
Output	PAO	CN1-33	Encoder output phase A
	/PAO	CN1-34	Encoder output phase /A
Output	PBO	CN1-35	Encoder output phase B
	/PBO	CN1-36	Encoder output phase /B
Output	PCO	CN1-19	Encoder output phase C (zero-point pulse)
	/PCO	CN1-20	Encoder output phase /C (zero-point pulse)



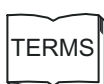
The following signals are added when using an absolute encoder.

Type	Signal Name	Connector Pin Number	Name
Input	SEN	CN1-4	SEN Signal Input
	SG	CN1-2	Signal Ground
	BAT (+)	CN1-21	Battery (+)
	BAT (-)	CN1-22	Battery (-)
Output	SG*	CN1-1	Signal Ground

\* SG (CN1-1, 2): Connect to 0 V on the host controller.

### IMPORTANT

If using the SERVOPACK's phase-C pulse output for a zero point return, rotate the servomotor twice or more before starting a zero point return. If the configuration prevents the servomotor from rotating the servomotor or more, perform a zero point return at a motor speed of  $600 \text{ min}^{-1}$  or below. If the motor speed is faster than  $600 \text{ min}^{-1}$ , the phase-C pulse output may not be output correctly.



### <sup>1</sup> Dividing

The dividing means that the divider converts data into the pulse density based on the the servomotor, and outputs it. The setting unit is the number of pulses/revolution.

- Pulse Dividing Ratio Setting

Pn201	PG Dividing Ratio (For 16-bit or less)				
			<input type="checkbox"/> Speed	<input type="checkbox"/> Position	<input type="checkbox"/> Torque
	Setting Range	Setting Unit	Factory Setting	Setting Validation	
	16 to 16384	1 P/Rev	16384	After restart	

Set the number of pulses for PG output signals (PAO, /PAO, PBO, /PBO) externally from the SERVOPACK.  
Feedback pulses from the encoder per revolution are divided inside the SERVOPACK by the number set in Pn201 before being output. (Set according to the system specifications of the machine or host controller.)  
The setting range varies with the number of encoder pulses for the servomotor used.

Motor Model Encoder Specifications	Resolution (Bit)	No. of Pulses (P/R)	Setting Range
A	13	2048	16 to 2048
B, 1	16	16384	16 to 16384
C, 1	17	32768	

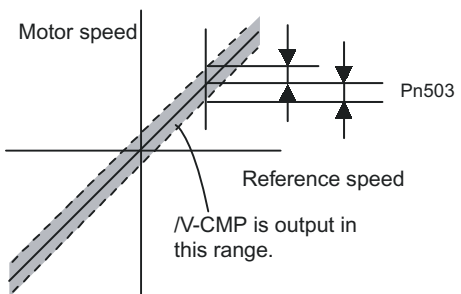
■ Output Example  
Pn201=16 (when 16 pulses are output per revolution)

Note: Refer to 10.3.2 *Improvement of Dividing Output Resolution* for the encoder resolution 17-bit or more.

## 8.5.8 Speed Coincidence Output

The speed coincidence (/V-CMP) output signal is output when the actual motor speed during speed control is the same as the speed reference input. The host controller uses the signal as an interlock.

Type	Signal Name	Connector Pin Number	Setting	Meaning
Output	/V-CMP	CN1-25, 26 (Factory setting)	ON (low level)	Speed coincides.
			OFF (high level)	Speed does not coincide.
This output signal can be allocated to another output terminal with parameter Pn50E. Refer to 7.3.3 <i>Output Circuit Signal Allocation</i> for details.				

Pn503	Speed Coincidence Signal Output Width <span style="float: right;">Speed</span>			
	Setting Range	Setting Unit	Factory Setting	Setting Validation
	0 to 100	$1 \text{ min}^{-1}$	10	Immediately
<p>The /V-CMP signal is output when the difference between the speed reference and actual motor speed is the same as the pn503 setting or less.</p> <p>■ EXAMPLE</p> <p>The /V-CMP signal turns ON at <math>1900</math> to <math>2100 \text{ min}^{-1}</math> if the Pn503 parameter is set to 100 and the reference speed is <math>2000 \text{ min}^{-1}</math>.</p> <div style="display: flex; align-items: center;">  <div style="margin-left: 20px;"> <p>Pn503</p> <p>Reference speed</p> <p>/V-CMP is output in this range.</p> </div> </div> <p>/V-CMP is a speed control output signal. When the factory setting is used and the output terminal allocation is not performed with the Pn50E, this signal is automatically used as the positioning completed signal /COIN for position control, and it is always OFF (high level) for torque control.</p>				

## 8.6 Operating Using Position Control

### 8.6.1 Setting Parameters

Set the following parameters for position control using pulse trains.


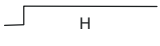









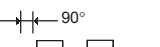



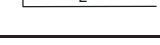
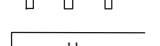
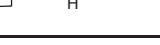
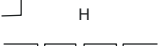





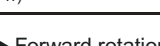
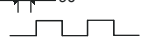
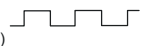
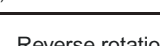
#### (1) Control Mode Selection

Parameter	Meaning
<b>Pn000</b> n.□□1□	Control mode selection: Position control (pulse train reference)

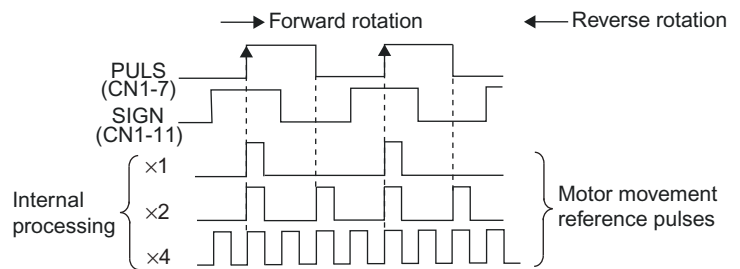
#### (2) Setting a Reference Pulse Form

Type	Signal Name	Connector Pin Number	Name
Input	PULS	CN1-7	Reference Pulse Input
	/PULS	CN1-8	Reference Pulse Input
	SIGN	CN1-11	Reference Code Input
	/SIGN	CN1-12	Reference Code Input

Set the input form for the SERVOPACK using parameter Pn200.0 according to the host controller specifications.

Parameter	Reference Pulse Form	Input Pulse Multiplier	Forward Rotation Reference	Reverse Rotation Reference
<b>Pn200</b> n.□□□0	Sign + pulse train (Positive logic) (Factory setting)	—	PULS (CN1-7)  SIGN (CN1-11)  H	PULS (CN1-7)  SIGN (CN1-11)  L
n.□□□1	CW pulse + CCW pulse (Positive logic)	—	PULS (CN1-7)  L SIGN (CN1-11) 	PULS (CN1-7)  SIGN (CN1-11)  L
n.□□□2	Two-phase pulse train with 90° phase differential (Positive logic)	×1	 90° PULS (CN1-7)  SIGN (CN1-11) 	 90° PULS (CN1-7)  SIGN (CN1-11) 
n.□□□3		×2		
n.□□□4		×4		
n.□□□5	Sign + pulse train (Negative logic)	—	PULS (CN1-7)  SIGN (CN1-11)  L	PULS (CN1-7)  SIGN (CN1-11)  H
n.□□□6	CW pulse + CCW pulse (Negative logic)	—	PULS (CN1-7)  H SIGN (CN1-11) 	PULS (CN1-7)  SIGN (CN1-11)  H
n.□□□7	Two-phase pulse train with 90° phase differential (Negative logic)	×1	 90° PULS (CN1-7)  SIGN (CN1-11) 	 90° PULS (CN1-7)  SIGN (CN1-11) 
n.□□□8		×2		
n.□□□9		×4		

The input pulse multiplier can be set for the 2-phase pulse train with 90° phase differential reference pulse form.



## (3) Clear Signal Form Selection

Type	Signal Name	Connector Pin Number	Name
Input	CLR	CN1-15	Clear Input
	/CLR	CN1-14	Clear Input

The internal processing of the SERVOPACK for the clear signal can be set to either of four types by parameter Pn200.1. Select according to the specifications of the machine or host controller.

Parameter	Description	Timing	
<b>Pn200</b>	n.□□0□	Clears at high level. Position error pulses do not accumulate while the signal is at high level. (Factory setting)	
	n.□□1□	Clears at the rising edge.	
	n.□□2□	Clears at low level. Position error pulses do not accumulate while the signal is at low level.	
	n.□□3□	Clears at the falling edge.	
<p>The following are executed when the clear operation is enabled.</p> <ul style="list-style-type: none"> <li>• The SERVOPACK error counter is set to 0.</li> <li>• Position loop operation is disabled. → Holding the clear status may cause the servo clamp to stop functioning and the servomotor to rotate slowly due to drift in the speed loop.</li> </ul> <p>If the clear signal (CLR) is not wired and Pn200 is set to n.□□2□, the position-error pulse is always cleared. So, if a pulse-train reference is input, the servomotor will not operate.</p>			

## (4) Clear Operation Selection

This parameter determines when the error pulse should be cleared according to the condition of the SERVOPACK, in addition to the clearing operation of the clear signal (CLR). Either of three clearing modes can be selected with Pn200.2

Parameter	Description	
<b>Pn200</b>	n.□0□□	Clear the error pulse at the CLR signal input during the baseblock. (Factory setting) “During the baseblock” means when the SVON signal or the main circuit power supply is OFF, or an alarm occurs.
	n.□1□□	Do not clear the error pulse. Clear only with the CLR signal.
	n.□2□□	Clear the error pulse when an alarm occurs or the CLR signal is input.

## 8.6.2 Setting the Electronic Gear

### (1) Number of Encoder Pulses

SGM□H-□□□□□□ (Servomotor model)

Motor Model Encoder Specifications	Encoder Type	No. of Encoder Pulses	
A	Incremental encoder	13 bits	2048
B		16 bits	16384
C		17 bits	32768
1	Absolute encoder	16 bits	16384
2		17 bits	32768

Note: For details on reading servomotor model numbers, refer to 2.1 *Servomotor Model Designations*.

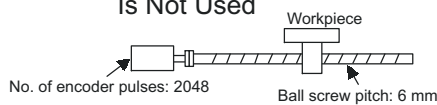


The number of bits representing the resolution of the applicable encoder is not the same as the number of encoder signal pulses (phases A and B). The number of bits representing the resolution is equal to the number of encoder pulses  $\times$  4 (multiplier).

### (2) Electronic Gear

The electronic gear enables the workpiece travel distance per input reference pulse from the host controller to be set to any value. One reference pulse from the host controller, i.e., the minimum position data unit, is called a reference unit.

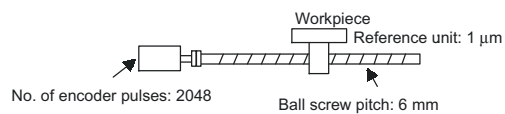
#### When the Electronic Gear Is Not Used



To move a workpiece 10 mm:

1 revolution is 6 mm. Therefore,  
 $10 \div 6 = 1.6666$  revolutions  
 $2048 \times 4$  pulses is 1 revolution. Therefore,  
 $1.6666 \times 2048 \times 4 = 13653$  pulses  
 13653 pulses are input as reference pulses.  
 The equation must be calculated at the host controller.

#### When the Electronic Gear Is Used



To move a workpiece 10 mm using reference units:

The reference unit is 1  $\mu$ m. Therefore,  
 To move the workpiece 10 mm (10000  $\mu$ m),  
 1 pulse = 1  $\mu$ m, so  
 $10000/1 = 10000$  pulses.  
 Input 10000 pulses per 10 mm of workpiece movement.



## (3) Related Parameters

<b>Pn202</b>	Electronic Gear Ratio (Numerator) <span style="float: right;">Position</span>			
	Setting Range	Setting Unit	Factory Setting	Setting Validation
	1 to 65535	–	4	After restart
<b>Pn203</b>	Electronic Gear Ratio (Denominator) <span style="float: right;">Position</span>			
	Setting Range	Setting Unit	Factory Setting	Setting Validation
	1 to 65535	–	1	After restart
<p>If the deceleration ratio of the servomotor and the load shaft is given as n/m where m is the rotation of the servomotor and n is the rotation of the load shaft,</p> $\text{Electronic gear ratio: } \frac{B}{A} = \frac{Pn202}{Pn203} = \frac{\text{No. of encoder pulses} \times 4}{\text{Travel distance per load shaft revolution (reference units)}} \times \frac{m}{n}$ <p>* If the ratio is outside the setting range, reduce the fraction (both numerator and denominator) until you obtain integers within the range. Be careful not to change the electronic gear ratio (B/A).</p> <p>■ <b>IMPORTANT</b>            Electronic gear ratio setting range: <math>0.01 \leq \text{Electronic gear ratio (B/A)} \leq 100</math>            If the electronic gear ratio is outside this range, the SERVOPACK will not operate properly. In this case, modify the load configuration or reference unit.</p>				

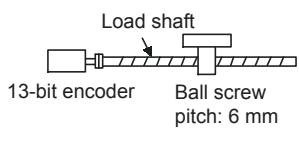
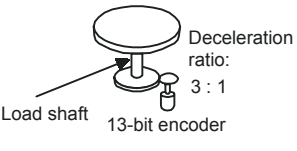
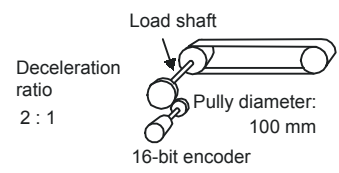
## (4) Procedure for Setting the Electronic Gear Ratio

Use the following procedure to set the electronic gear ratio.

Step	Operation	Description
1	Check machine specifications.	Check the deceleration ratio, ball screw pitch, and pulley diameter.
2	Check the number of encoder pulses.	Check the number of encoder pulses for the servomotor used.
3	Determine the reference unit used.	Determine the reference unit from the host controller, considering the machine specifications and positioning accuracy.
4	Calculate the travel distance per load shaft revolution.	Calculate the number of reference units necessary to turn the load shaft one revolution based on the previously determined reference units.
5	Calculate the electronic gear ratio.	Use the electronic gear ratio equation to calculate the ratio (B/A).
6	Set parameters.	Set parameters using the calculated values.

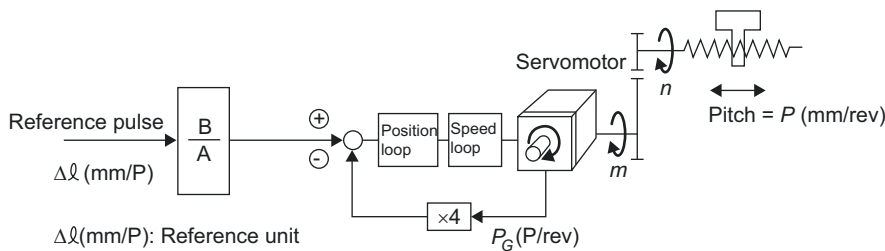
### (5) Electronic Gear Ratio Setting Examples

The following examples show electronic gear ratio settings for different load configurations.

Step	Operation	Load Configuration					
		Ball Screw	Disc Table	Belt and Pulley			
		Reference unit: 0.001 mm 	Reference unit: 0.1° 	Reference Unit: 0.02 mm 			
1	Check machine specifications.	<ul style="list-style-type: none"> <li>Ball screw pitch: 6 mm</li> <li>Deceleration ratio: 1/1</li> </ul>	Rotation angle per revolution: 360° Deceleration ratio: 3/1	Pulley diameter: 100 mm (pulley circumference: 314 mm) Deceleration ratio: 2/1			
2	Check the number of encoder pulses.	13-bit: 2048 P/R	13-bit: 2048 P/R	16-bit: 16384 P/R			
3	Determine the reference unit used.	1 Reference unit: 0.001 mm (1 μm)	1 Reference unit: 0.1°	1 Reference unit: 0.02 mm			
4	Calculate the travel distance per load shaft revolution.	6 mm/0.001 mm=6000	360°/0.1°=3600	314 mm/0.02 mm=15700			
5	Calculate the electronic gear ratio.	$\frac{B}{A} = \frac{2048 \times 4}{6000} \times \frac{1}{1}$	$\frac{B}{A} = \frac{2048 \times 4}{3600} \times \frac{3}{1}$	$\frac{B}{A} = \frac{16384 \times 4}{15700} \times \frac{2}{1}$			
6	Set parameters.	Pn202	8192	Pn202	24576	Pn202	131072*
		Pn203	6000	Pn203	3600	Pn203	15700

Reduce the fraction (both numerator and denominator) since the calculated result will not be within the setting range. For example, reduce the numerator and denominator by four to obtain Pn202=32768, Pn203=3925 and complete the settings.

### (6) Electronic Gear Ratio Equation



$\Delta l$ (mm/P): Reference unit  
 $P_G$ (P/rev): Encoder pulses  
 $P$  (mm/rev): Ball screw pitch  
 $\frac{m}{n}$ : Deceleration ratio

$$\frac{n \times P}{\Delta l} \times \left(\frac{B}{A}\right) = 4 \times P_G \times m$$

$$\left(\frac{B}{A}\right) = \frac{4 \times P_G \times m \times \Delta l}{n \times P} = \frac{4 \times P_G}{P} \times \frac{m}{n}$$

Set A and B with the following parameters.

[A]: Pn203 [B]: Pn202

### 8.6.3 Position Reference

The servomotor positioning is controlled by inputting a pulse train reference.

The pulse train output form from the host controller corresponds to the following:

- Line-driver Output
- +24V Open-collector output
- +12V Open-collector output
- +5V Open-collector output

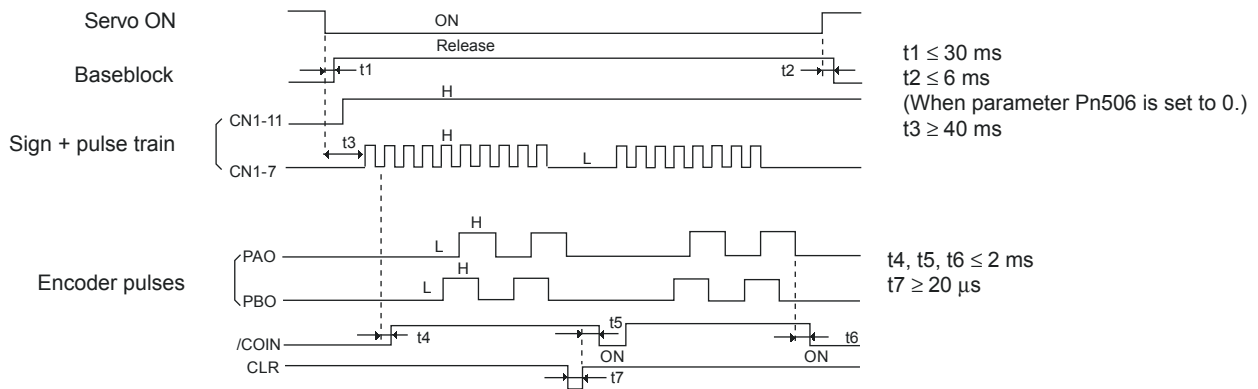
**IMPORTANT**

■ Precautions for Open-collector Output

When the open-collector output is used, input signal noise margin lowers. When a position error caused by the noise occurs, change the parameter as follows:

Parameter	Description
Pn200 n.1□□□	Reference input filter for open-collector signal

#### (1) Input/Output Signal Timing Example



- Note: 1. The interval from the time the servo ON signal is turned ON until a reference pulse is input must be at least 40 ms, otherwise the reference pulse may not be received by the SERVOPACK.  
 2. The error counter clear signal must be ON for at least 20  $\mu\text{s}$ .

Table 8.3 Reference Pulse Input Signal Timing

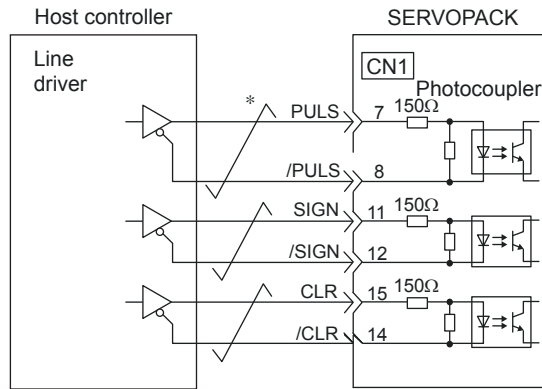
Reference Pulse Signal Form	Electrical Specifications	Remarks	
Sign and pulse train input (SIGN and PULS signal) Maximum reference frequency: 500 kpps (For open-collector output: 200 kpps)		$t1, t2 \leq 0.1 \mu\text{s}$ $t3, t7 \leq 0.1 \mu\text{s}$ $t4, t5, t6 > 3 \mu\text{s}$ $\tau \geq 1.0 \mu\text{s}$ $(\tau/T) \times 100 \leq 50\%$	Sign (SIGN) H = Forward reference L = Reverse reference
CW pulse and CCW pulse Maximum reference frequency: 500 kpps (For open-collector output: 200 kpps)		$t1, t2 \leq 0.1 \mu\text{s}$ $t3 > 3 \mu\text{s}$ $\tau \geq 1.0 \mu\text{s}$ $(\tau/T) \times 100 \leq 50\%$	—
Two-phase pulse train with 90° phase differential (phase A and phase B) Maximum reference frequency ×1 input pulse multiplier: 500 kpps ×2 input pulse multiplier: 400 kpps ×4 input pulse multiplier: 200 kpps		$t1, t2 \leq 0.1 \mu\text{s}$ $\tau \geq 1.0 \mu\text{s}$ $(\tau/T) \times 100 = 50\%$	Switching of the input pulse multiplier mode is done with parameter Pn200.0 setting.



## (2) Connection Example

### (a) Connection Example for Line-driver Output

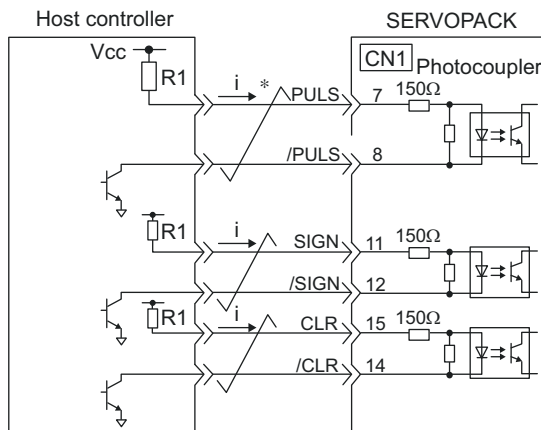
Applicable line driver: SN75174 manufactured by Texas Instruments Inc., or MC3487 or the equivalent



\* : Represents twisted-pair wires.

### (b) Connection Example for Open-collector Output

Select the limit resistance R1 value so that the input current  $i$  will be within 7 to 15 mA.



\* : Represents twisted-pair wires.

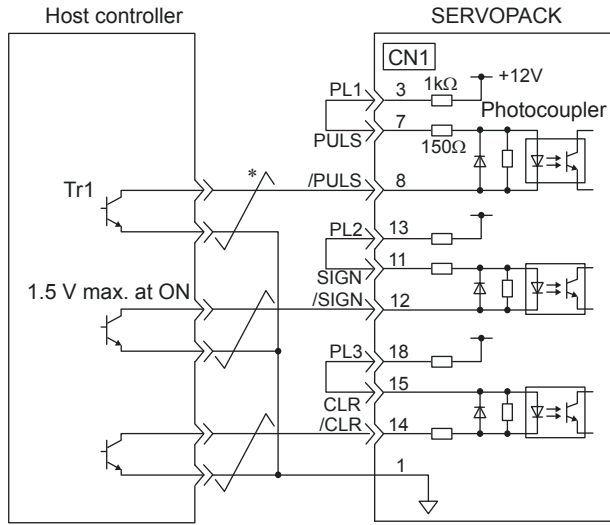
#### Example

- When Vcc is +24V: R1=2.2 kΩ
- When Vcc is +12V: R1=1 kΩ
- When Vcc is +5V: R1=180 Ω

Note: When the open-collector output is used, the signal logic is as follows:

When Tr1 is ON	High level input or the equivalent
When Tr1 is OFF	Low level input or the equivalent

When the external power supply is used, the circuit will be isolated by a photocoupler. When the SERVOPACK internal power supply is used, the circuit will not be isolated.

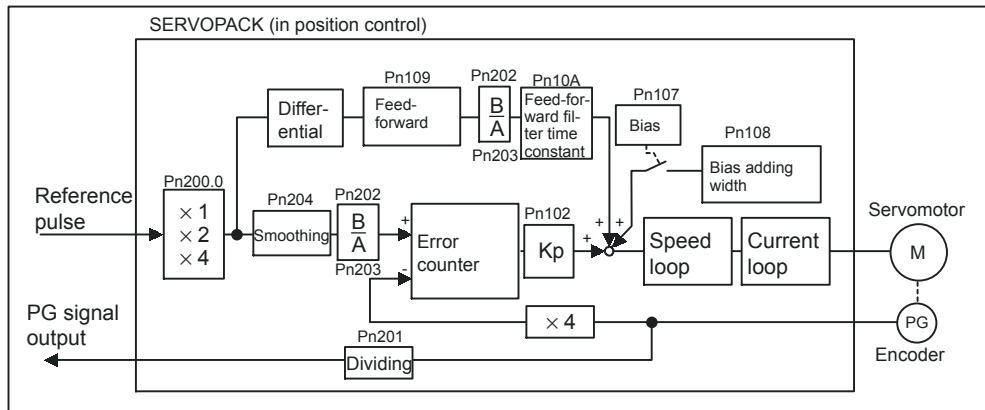


\* : Represents twisted-pair wires.

**IMPORTANT** When the open-collector output is used, input signal noise margin lowers. When a position error caused by the noise occurs, set the parameter Pn200.3 to 1.

### (3) Position Control Block Diagram

A block diagram for position control is shown below.



## 8.6.4 Smoothing

A filter can be applied in the SERVOPACK to a constant-frequency reference pulse.

### (1) Selecting a Position Reference Filter

Parameter	Description
<b>Pn207</b> n.□□□0	Acceleration/deceleration filter
n.□□□1	Average movement filter

\* After resetting the parameter, turn OFF the power once and turn it ON again.

### (2) Filter-related Parameters

<b>Pn204</b>	Position Reference Acceleration/Deceleration Time Constant <span style="float: right;">Position</span>			
	Setting Range	Setting Unit	Factory Setting	Setting Validation
	0 to 6400 (0 to 64.00 ms)	0.01 ms	0 (0.00 ms)	Immediately
<b>Pn208</b>	Average Movement Time of Position Reference <span style="float: right;">Position</span>			
	Setting Range	Setting Unit	Factory Setting	Setting Validation
	0 to 6400 (0 to 64.00 ms)	0.01 ms	0 (0.00 ms)	Immediately

#### ■ IMPORTANT

When the position reference acceleration/deceleration time constant (Pn204) is changed, a value with no reference pulse input and a position error of 0 will be enabled. To ensure that the setting value is correctly reflected, stop the reference pulse from the host controller and input the clear signal (CLR), or turn the servo OFF to clear the error.

This function provides smooth motor operating in the following cases. The function does not affect the travel distance (i.e., the number of pulses).

- When the host controller that outputs a reference cannot perform acceleration/deceleration processing.
- When the reference pulse frequency is too low.
- When the reference electronic gear ratio is too high (i.e., 10× or more).

The difference between the position reference acceleration/deceleration time constant (Pn204) and the position reference movement averaging time (Pn208) is shown below.

Acceleration/Deceleration Filter Pn207=n.□□□0	Average Movement Time Filter Pn207=n.□□□1
<p>Response waveform for stepwise input</p>	<p>Response waveform for stepwise input</p>
<p>Response waveform for ramp reference input</p>	<p>Response waveform for ramp reference input</p>

## 8.6.5 Positioning Completed Output Signal

This signal indicates that servomotor movement has been completed during position control. Use the signal as an interlock to confirm at the host controller that positioning has been completed.

Type	Signal Name	Connector Pin Number	Setting	Meaning
Output	/COIN	CN1-25, 26 (Factory setting)	ON (low level)	Positioning has been completed.
			OFF (high level)	Positioning is not completed.
This output signal can be allocated to an output terminal with parameter Pn50E. Refer to 7.3.3 <i>Output Circuit Signal Allocation</i> . The factory setting is allocated to CN1-25, 26.				

Pn500	Positioning Completed Width <span style="float: right;">Position</span>			
	Setting Range	Setting Unit	Factory Setting	Setting Validation
	0 to 250	1 Reference unit	7	Immediately
<p>The positioning completed (/COIN) signal is output when the difference (position error pulse) between the number of reference pulses output by the host controller and the travel distance of the servomotor is less than the value set in this parameter.</p> <p>Set the number of error pulses in reference units (the number of input pulses defined using the electronic gear.)</p> <p>Too large a value at this parameter may output only a small error during low-speed operation that will cause the /COIN signal to be output continuously.</p> <p>The positioning completed width setting has no effect on final positioning accuracy.</p> <p>/COIN is a position control signal.</p> <p>When the factory setting is used and the output terminal allocation is not performed with the Pn50E, this signal is used for the speed coincidence output /V-CMP for speed control, and it is always OFF (high level) for torque control.</p>				

### 8.6.6 Positioning Near Signal

This signal (/NEAR) indicates that the positioning of the servomotor is near to completion, and is generally used in combination with the positioning completed (/COIN) output signal.

The host controller receives the positioning near signal prior to confirming the positioning-completed signal, and performs the following operating sequence after positioning has been completed to shorten the time required for operation.

Type	Signal Name	Connector Pin Number	Setting	Meaning
Output	/NEAR	Must be allocated	ON (low level)	The servomotor has reached a point near to positioning completed.
			OFF (high level)	The servomotor has not reached a point near to positioning completed.

The output terminal must be allocated with parameter Pn510 in order to use positioning near signal. Refer to 7.3.3 *Output Circuit Signal Allocation* for details.

Pn504	NEAR Signal Width <span style="float: right;">Position</span>			
	Setting Range	Setting Unit	Factory Setting	Setting Validation
	1 to 250	1 Reference unit	7	Immediately

The positioning near (/NEAR) signal is output when the difference (error) between the number of reference pulses output by the host controller and the travel distance of the servomotor is less than the value set in Pn504.

Set the number of error pulses in reference units (the number of input pulses defined using the electronic gear.)

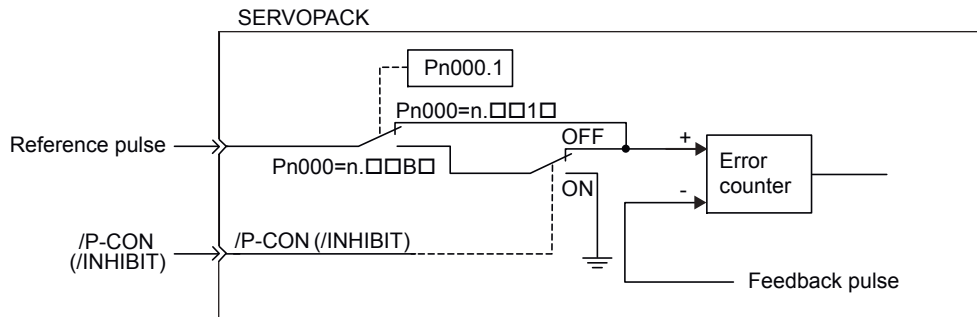
Normally, the setting should be larger than that for the positioning completed width (Pn500).



## 8.6.7 Reference Pulse Inhibit Function (INHIBIT)

### (1) Description

This function inhibits the SERVOPACK from counting input pulses during position control. The servomotor remains locked (clamped) while pulse are inhibited.



### (2) Setting Parameters

Parameter	Meaning
<b>Pn000</b> n.□□B□	Control mode selection: Position control (pulse train reference) ↔ Inhibit
<ul style="list-style-type: none"> <li>Inhibit (INHIBIT) switching condition</li> <li>· /P-CON (/INHIBIT) signal ON (low level)</li> </ul>	<p>Input reference pulses are not counted during this period.</p>

### (3) Setting Input Signals

Type	Signal Name	Connector Pin Number	Setting	Meaning
Input	/P-CON	CN1-41 (Factory setting)	ON (low level)	Turns the INHIBIT function ON. (Inhibits the SERVOPACK from counting reference pulses.)
			OFF (high level)	Turns the INHIBIT function OFF. (Counts reference pulses.)
(Input)	(/INHIBIT)	Must be allocated CN1-□□	ON (low level)	Turns the INHIBIT function ON. (Inhibits the SERVOPACK from counting reference pulses.)
			OFF (high level)	Turns the INHIBIT function OFF. (Counts reference pulses.)

These input signals enable the inhibit function.

Either the /P-CON or the /INHIBIT signal can be used to switch the inhibit signal. The input signal must be allocated in order to use the /INHIBIT signal. Refer to 7.3.2 *Input Circuit Signal Allocation*.

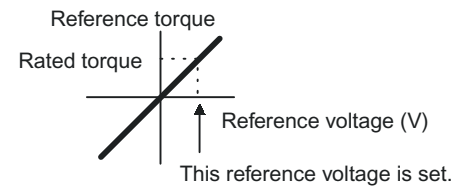
## 8.7 Operating Using Torque Control

### 8.7.1 Setting Parameters

The following parameters must be set for torque control operation with analog voltage reference.

Parameter	Meaning
<b>Pn000</b>	n.□□2□ Control mode selection: Torque control (analog voltage reference)

Pn400	Torque Reference Input Gain			
	Setting Range	Setting Unit	Factory Setting	Setting Validation
	10 to 100 (1.0 to 10.0 V/rated torque)	0.1V/rated torque	30 (3 V/rated torque)	Immediately
<p>This sets the analog voltage level for the torque reference (T-REF) that is necessary to operate the servomotor at the rated torque.</p> <p>■ EXAMPLE</p> <p>Pn400 = 30: The servomotor operates at the rated torque with 3-V input (factory setting).</p> <p>Pn400 = 100: The servomotor operates at the rated torque with 10-V input.</p> <p>Pn400 = 20: The servomotor operates at the rated torque with 2-V input.</p>				



### 8.7.2 Torque Reference Input

By applying a torque reference determined by the analog voltage reference to the SERVOPACK, the servomotor torque can be controlled in proportion with the input voltage.

Type	Signal Name	Connector Pin Number	Name
Input	T-REF	CN1-9	Torque Reference Input
	SG	CN1-10	Signal Ground for Torque Reference Input

Used during torque control (analog voltage reference). (Pn000.1 = 2, 6, 8, 9)  
The torque reference gain is set in Pn400. For setting details, refer to 8.7.1 Setting Parameters.

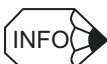
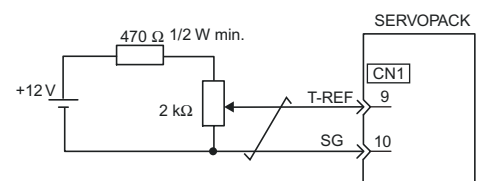
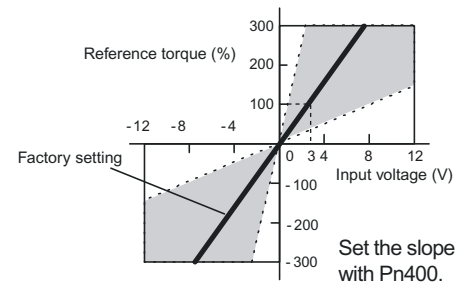
■ Input Specifications

- Input range:  $\pm 1$  to  $\pm 10$ VDC/rated torque
- Max. allowable input voltage:  $\pm 12$  VDC
- Factory setting
  - Pn400 = 30: Rated torque at 3 V
  - +3-V input: Rated torque in forward direction
  - +9-V input: 300% rated torque in forward direction
  - 0.3-V input: 10% rated torque in reverse direction

The voltage input range can be changed with parameter Pn400.

■ Input Circuit Example

Use twisted-pair wires as a countermeasure against noise.  
Variable resistor example: Model 25HP-10B manufactured by Sakae Tsushin Kogyo Co., Ltd.



#### ■ Checking the Internal Torque Reference

1. Checking the internal torque reference with the panel operator:  
Use the Monitor Mode (Un002). Refer to 7.4 Operation in Monitor Mode (Un□□□).
2. Checking the internal torque reference with an analog monitor:  
The internal torque reference can also be checked with an analog monitor. Refer to 9.5 Analog Monitor.

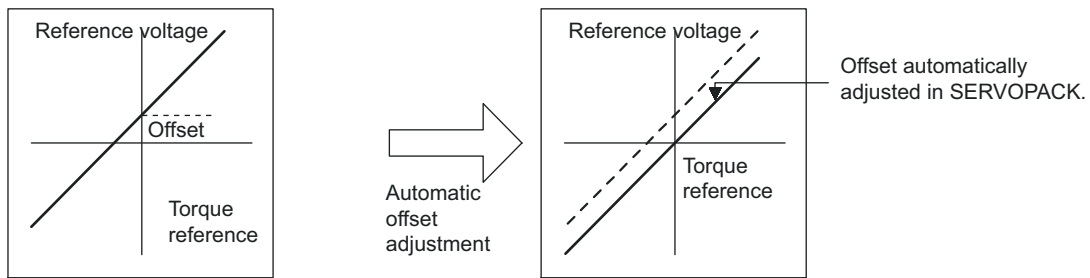
### 8.7.3 Adjusting the Reference Offset

#### (1) Automatic Adjustment of the Torque Reference Offset

When using torque control, the servomotor may rotate slowly even when 0 V is specified as the analog reference voltage. This occurs when the host controller or external circuit has a slight offset (measured in mV) in the reference voltage. In this case, the reference offset can be adjusted automatically and manually using the panel operator or digital operator.

The automatic adjustment of analog (speed, torque) reference offset (Fn009) automatically measures the offset and adjusts the reference voltage.

The SERVOPACK performs the following automatic adjustment when the host controller or external circuit has an offset in the reference voltage.



After completion of the automatic adjustment, the amount of offset is stored in the SERVOPACK. The amount of offset can be checked in the manual adjustment of torque reference offset (Fn00B).

The automatic adjustment of analog reference offset (Fn009) cannot be used when a position loop has been formed with the host controller and the error pulse is changed to zero at the servomotor stop due to servolock. Use the torque reference offset manual adjustment (Fn00B).

**IMPORTANT** The analog reference offset must be automatically adjusted with the servo OFF.

Use the following procedure for automatic adjustment of the torque reference offset.

Step	Display after Operation	Digital Operator	Panel Operator	Description
1				Turn OFF the SERVOPACK, and input the 0-V reference voltage from the host controller or external circuit.
2				Press the DSPL/SET or MODE/SET Key to select the utility function mode.
3				Press the LEFT/RIGHT or UP/DOWN Key, or UP or DOWN Key to select parameter Fn009. *The digit that can be set will blink.
4				Press the DATA/ENTER Key once, or DATA/SHIFT Key for more than one second. "rEF_o" will be displayed.
5				Press the DSPL/SET or MODE/SET Key. The reference offset will be automatically adjusted. When completed, "donE" will blink for about one second.
6		About one second later		After "donE" is displayed, "rEF_o" will be displayed again.
7				Press the DATA/ENTER Key once, or DATA/SHIFT Key for more than one second to return to the Fn009 display of the utility function mode.



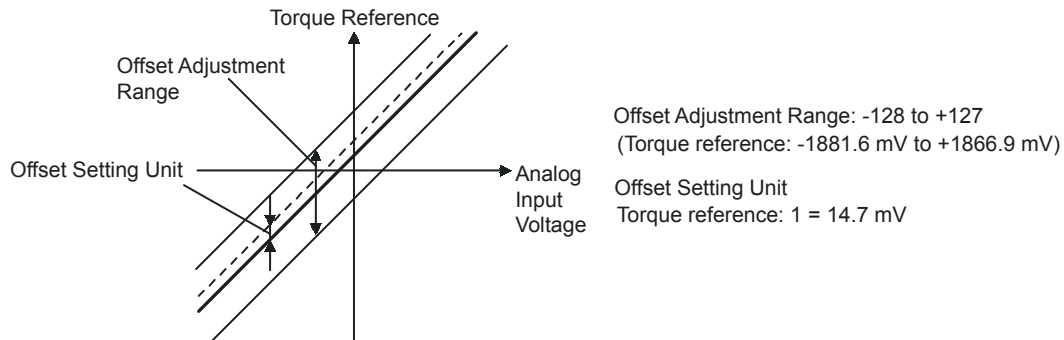
## (2) Manual Adjustment of the Torque Reference Offset

Manual adjustment of the torque reference offset (Fn00B) is used in the following cases.

- If a position loop is formed with the host controller and the error is zeroed when servolock is stopped.
- To deliberately set the offset to some value.
- Use this mode to check the offset data that was set in the automatic adjustment mode of the torque reference offset.

This mode operates in the same way as the automatic adjustment mode (Fn009), except that the amount of offset is directly input during the adjustment.

The offset adjustment range and setting units are as follows:



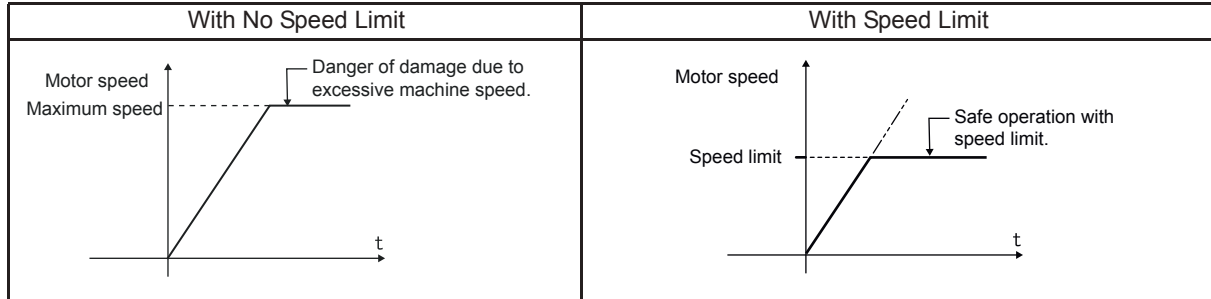
Use the following procedure to manually adjust the torque reference offset.

Step	Display after Operation	Digital Operator	Panel Operator	Description
1	Fn0000	(DSPL/SET Key)	(MODE/SET Key)	Press the DSPL/SET or MODE/SET Key to select the utility function mode.
2	Fn000b	(Left/Right Arrow keys)	(Up/Down Arrow keys)	Press the LEFT/RIGHT or UP/DOWN Key or UP or DOWN Key to select parameter Fn00B. *The digit that can be set will blink.
3	- . . t r 9	(DATA/ENTER Key)	(DATA/SHIFT Key) (Press at least 1 s.)	Press the DATA/ENTER Key once, or DATA/SHIFT Key for more than one second. The display will be as shown at the left. The manual adjustment mode for the torque reference offset will be entered.
4	- . . t r 9	Servo ON		Turn ON the servo ON (/S-ON) signal. The display will be as shown at the left.
5	-00000	(Left/Right Arrow keys)	(DATA/SHIFT Key) (Press at least 1 s.)	Press the LEFT or RIGHT Key or DATA/SHIFT Key for less than one second to display the torque reference offset amount.
6		(Up/Down Arrow keys)	(Up/Down Arrow keys)	Press the UP or DOWN Key to adjust the amount of offset.
7	- . . t r 9	(Left/Right Arrow keys)	(DATA/SHIFT Key) (Press less than 1 s.)	Press the LEFT or RIGHT Key or DATA/SHIFT Key for less than one second to return to the display shown on the left.
8	Fn000b	(DATA/ENTER Key)	(DATA/SHIFT Key) (Press at least 1 s.)	Press the DATA/ENTER Key once, or DATA/SHIFT Key for more than one second to return to the Fn00B display of the utility function mode.

### 8.7.4 Limiting Servomotor Speed during Torque Control

During torque control, the servomotor is controlled to output the specified torque, which means that the servomotor speed is not controlled. Accordingly, when an excessive reference torque is set for the mechanical load torque, it will prevail over the mechanical load torque and the servomotor speed will greatly increase.

This function serves to limit the servomotor speed during torque control to protect the machine.



#### (1) Speed Limit Mode Selection (Torque Limit Option)

Parameter	Description	
<b>Pn002</b>	n.□□0□	Uses the value set in Pn407 as the speed limit (internal speed limit function).
	n.□□1□	Uses V-REF (CN1-5, 6) as an external speed limit input. Applies a speed limit using the input voltage of V-REF and the setting in Pn300 (external speed limit function).

#### (2) Internal Speed Limit Function

<b>Pn407</b>	Speed Limit During Torque Control <span style="float: right;"><input type="checkbox"/> Torque</span>			
	Setting Range	Setting Unit	Factory Setting	Setting Validation
	0 to 10000	min <sup>-1</sup>	10000	Immediately

Sets the servomotor speed limit value during torque control.  
The setting in this parameter is enabled when Pn002 = n.□□0□.  
The servomotor's maximum speed will be used when the setting in this parameter exceeds the maximum speed of the servomotor used.

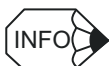
#### (3) External Speed Limit Function

Type	Signal Name	Connector Pin Number	Name
Input	V-REF	CN1-5	External Speed Limit Input
	SG	CN1-6	Signal Ground

Inputs an analog voltage reference as the servomotor speed limit value during torque control.  
The smaller value is enabled, the speed limit input from V-REF or the Pn407 (Speed Limit during Torque Control) when Pn002 = n.□□1□.  
The setting in Pn300 determines the voltage level to be input as the limit value. Polarity has no effect.

<b>Pn300</b>	Speed Reference Input Gain <span style="float: right;"><input type="checkbox"/> Speed <input type="checkbox"/> Position <input type="checkbox"/> Torque</span>			
	Setting Range	Setting Unit	Factory Setting	Setting Validation
	150 to 3000 (1.50 to 30.0 V/rated speed)	0.01 V/rated speed	600 (6.00 V/rated speed)	Immediately

Sets the voltage level for the speed that is to be externally limited during torque control.  
With Pn300 = 600 (factory setting) and 6 V input from V-REF (CN1-5, 6), the actual motor speed is limited to the rated speed of the servomotor used.



#### ■ The Principle of Speed Limiting

When the speed is outside of the allowable range, a torque that is proportional to the difference between the actual speed and the speed limit is used as negative feedback to bring the speed back within the speed limit range. Accordingly, there is a margin generated by the load conditions in the actual motor speed limit value.

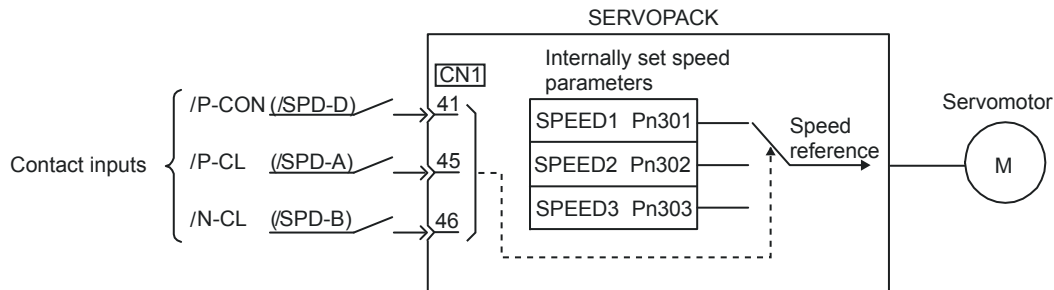
## (4) Signals Output during Servomotor Speed Limit

Type	Signal Name	Connector Pin Number	Setting	Meaning
Output	/VLT	Must be allocated CN1-□□	ON (low level)	Servomotor speed limit being applied.
			OFF (high level)	Servomotor speed limit not being applied.
<p>This signal is output when the servomotor speed reaches the speed limit value set in Pn407 or set by the analog voltage reference.</p> <p>For use, this output signal must be allocated with parameter Pn50F. For details, refer to 7.3.3 <i>Output Circuit Signal Allocation</i>.</p>				

## 8.8 Operating Using Speed Control with an Internally Set Speed

### • Internally Set Speed Selection

This function allows speed control operation by externally selecting an input signal from among three servomotor speed settings made in advance with parameters in the SERVOPACK. The speed control operations within the three settings are valid. There is no need for an external speed or pulse generator.



### 8.8.1 Setting Parameters

Parameter	Meaning
<b>Pn000</b> n.□□3□	Control mode selection: Internally set speed control (contact reference)

<b>Pn301</b>	Internal Set Speed 1	Speed		
	Setting Range	Setting Unit	Factory Setting	Setting Validation
	0 to 10000	1 min <sup>-1</sup>	100	Immediately
<b>Pn302</b>	Internal Set Speed 2	Speed		
	Setting Range	Setting Unit	Factory Setting	Setting Validation
	0 to 10000	1 min <sup>-1</sup>	200	Immediately
<b>Pn303</b>	Internal Set Speed 3	Speed		
	Setting Range	Setting Unit	Factory Setting	Setting Validation
	0 to 10000	1 min <sup>-1</sup>	300	Immediately

Note: The maximum speed of servomotor is used whenever a speed settings for the Pn301 to Pn303 exceed the maximum speed.

### 8.8.2 Input Signal Settings

The following input signals are used to switch the operating speed.

Type	Signal Name	Connector Pin Number	Meaning
Input	/P-CON	CN1-41	Switches the servomotor rotation direction.
	(/SPD-D)	Must be allocated	
Input	/P-CL	CN1-45	Selects the internally set speed.
	(/SPD-A)	Must be allocated	
Input	/N-CL	CN1-46	Selects the internally set speed.
	(/SPD-B)	Must be allocated	

#### ■ Input Signal Selection

The following two types of operation can be performed using the internally set speeds:

- Operation with the /P-CON, /P-CL, and /N-CL input signals (pins allocated in factory setting)
- Operation with the /SPD-D, /SPD-A, and /SPD-B input signals

/SPD-D, /SPD-A, and /SPD-B input signals must be allocated with parameter Pn50C. Refer to 7.3.2 *Input Circuit Signal Allocation*.

### 8.8.3 Operating Using an Internally Set Speed

Use ON/OFF combinations of the following input signals to operate with the internally set speeds.

Input Signal			Motor Rotation Direction	Speed
/P-CON (/SPD-D)	/P-CL (/SPD-A)	/N-CL (/SPD-B)		
OFF (high)	OFF (high)	OFF (high)	Forward	Stop at 0 of the internally set speed
	OFF (high)	ON (low)		Pn301: Internally Set Speed 1 (SPEED1)
	ON (low)	ON (low)		Pn302: Internally Set Speed 2 (SPEED2)
	ON (low)	OFF (high)		Pn303: Internally Set Speed 3 (SPEED3)
ON (low)	OFF (high)	OFF (high)	Reverse	Stop at 0 of the internally set speed
	OFF (high)	ON (low)		Pn301: Internally Set Speed 1 (SPEED1)
	ON (low)	ON (low)		Pn302: Internally Set Speed 2 (SPEED2)
	ON (low)	OFF (high)		Pn303: Internally Set Speed 3 (SPEED3)

Note: Signal OFF = High level; Signal ON = Low level

**IMPORTANT**

■ Control Mode Switching

When Pn000.1 = 4, 5, or 6, and either /P-CL (/SPD-A) or /N-CL (SPD-B) is OFF (high level), the control mode will switch.

Example:

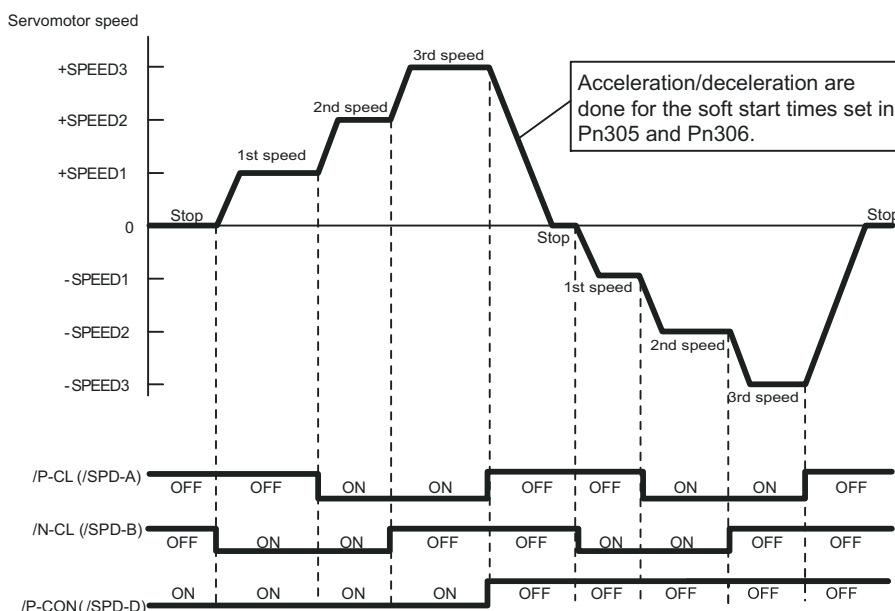
When Pn000.1=5: Internally set speed selection ↔ Position control (pulse train)

Input Signal		Speed
/P-CL (/SPD-A)	/N-CL (/SPD-B)	
OFF (high)	OFF (high)	Pulse train reference input (position control)
OFF (high)	ON (low)	Pn301: Internally Set Speed 1 (SPEED1)
ON (low)	ON (low)	Pn302: Internally Set Speed 2 (SPEED2)
ON (low)	OFF (high)	Pn303: Internally Set Speed 3 (SPEED3)

• Example of Operating with Internally Set Speed Selection

The shock that results when the speed is changed can be reduced by using the soft start function. For details on the soft start function, refer to 8.5.4 *Soft Start*.

Example: Operation with an Internally Set Speed and Soft Start

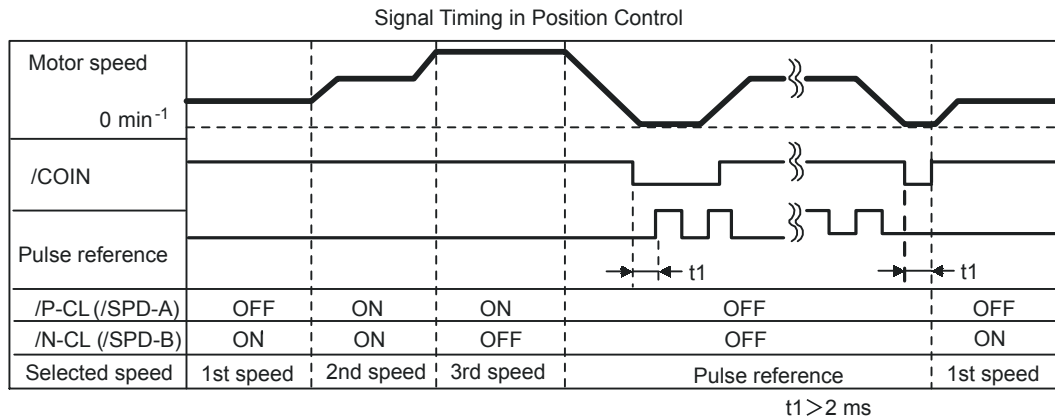




**IMPORTANT**

When Pn000.1 = 5 (Internally set speed control  $\Leftrightarrow$  Position control), the soft start function will operate only when selecting the internally set speed. The soft start function cannot be used with pulse reference input. When switching to pulse reference input during operation at either of the three speeds (1st speed to 3rd speed), the pulse reference will not be received by the SERVOPACK until after the positioning completed (/COIN) signal is output. Always begin the output of the pulse reference from the host controller after the positioning completed (/COIN) signal is output from the SERVOPACK.

Example: Operation with an Internally Set Speed and Soft Start  $\Leftrightarrow$  Position Control (Pulse Train Reference)



Note: 1. The soft start function is used in the above figure.

2. The  $t_1$  value is not affected by whether the soft start function is used.

A maximum delay of 2 ms occurs in loading /P-CL (/SPD-A) and /N-CL (/SPD-B).

## 8.9 Limiting Torque

The SERVOPACK provides the following four methods for limiting output torque to protect the machine.

Setting Level	Limiting Method	Reference Section
1	Internal torque limit	8.9.1
2	External torque limit	8.9.2
3	Torque limiting by analog voltage reference	8.9.3
4	External torque limit + Torque limiting by analog voltage reference	8.9.4

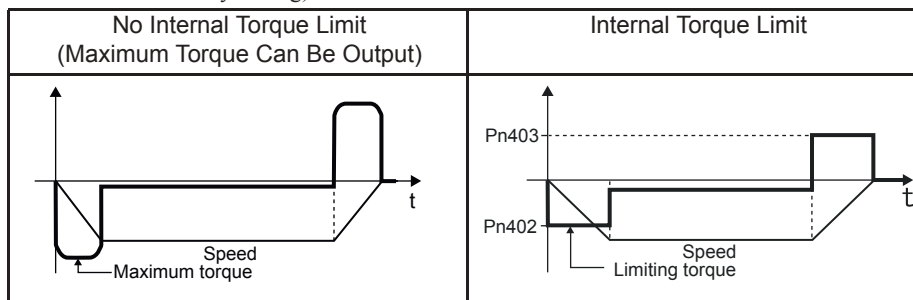
### 8.9.1 Internal Torque Limit (Limiting Maximum Output Torque)

Maximum torque is always limited to the values set in the following parameters.

<b>Pn402</b>	Forward Torque Limit	<input type="checkbox"/> Speed <input type="checkbox"/> Position <input type="checkbox"/> Torque		
	Setting Range	Setting Unit	Factory Setting	Setting Validation
	0 to 800	1%	800	Immediately
<b>Pn403</b>	Reverse Torque Limit	<input type="checkbox"/> Speed <input type="checkbox"/> Position <input type="checkbox"/> Torque		
	Setting Range	Setting Unit	Factory Setting	Setting Validation
	0 to 800	1%	800	Immediately

The settings in these parameters are constantly enabled. The setting unit is a percentage of rated torque.

If the torque limit is set higher than the maximum torque of the servomotor, the maximum torque of the servomotor is used (as is the case with the 800% factory setting).



Too small a torque limit setting will result in insufficient torque during acceleration and deceleration.

### 8.9.2 External Torque Limit (Output Torque Limiting by Input Signals)

This function allows the torque to be limited at specific times during machine operation, for example, during press stops and hold operations for robot workpieces.

An input signal is used to enable the torque limits previously set in parameters.

#### (1) Related Parameters

<b>Pn404</b>	Forward External Torque Limit			<input type="checkbox"/> Speed	<input type="checkbox"/> Position	<input type="checkbox"/> Torque
	Setting Range	Setting Unit	Factory Setting	Setting Validation		
	0 to 800	1%	100	Immediately		
<b>Pn405</b>	Reverse External Torque Limit			<input type="checkbox"/> Speed	<input type="checkbox"/> Position	<input type="checkbox"/> Torque
	Setting Range	Setting Unit	Factory Setting	Setting Validation		
	0 to 800	1%	100	Immediately		

Note: The setting unit is a percentage of rated torque (i.e., the rated torque is 100%).

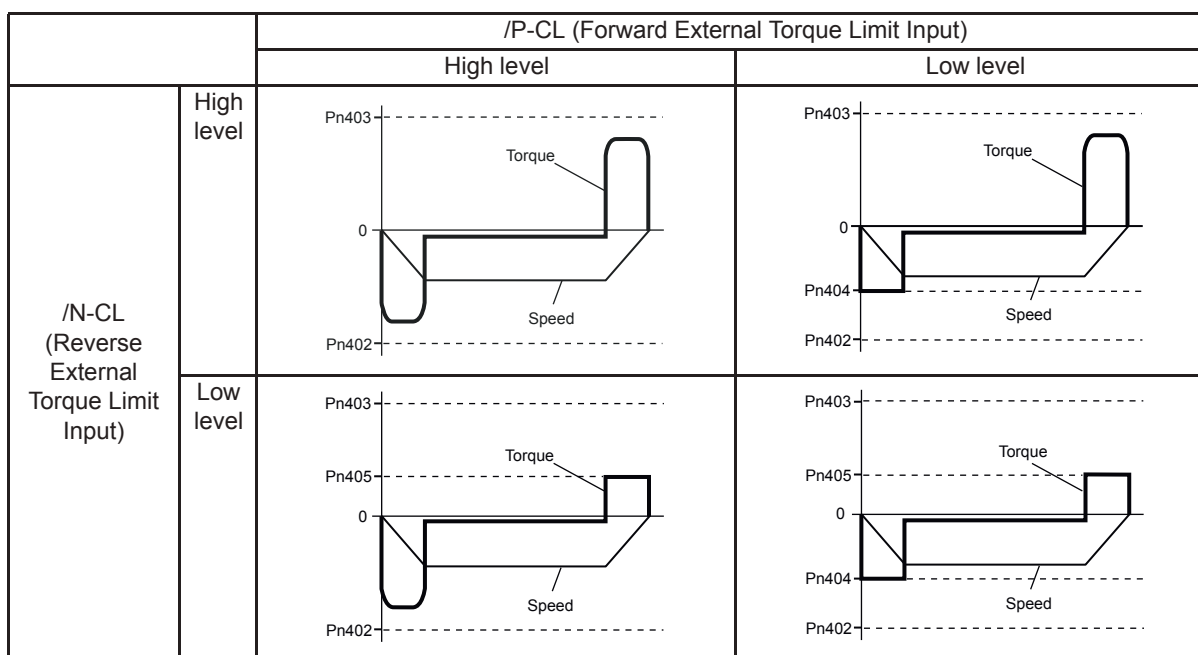
#### (2) Input Signals

Type	Signal Name	Connector Pin Number	Setting	Meaning	Limit Value
Input	/P-CL	CN1-45 (Factory Setting)	ON (low level)	Forward external torque limit ON	The value set in Pn402 or Pn404 (whichever is smaller)
			OFF (high level)	Forward external torque limit OFF	Pn402
Input	/N-CL	CN1-46 (Factory Setting)	ON (low level)	Reverse external torque limit ON	The value set in Pn403 or Pn405 (whichever is smaller)
			OFF (high level)	Reverse external torque limit OFF	Pn403

When using this function, make sure that there are no other signals allocated to the same terminals as /P-CL and /N-CL. When multiple signals are allocated to the same terminal, the signals are handled with OR logic, which affects the ON/OFF state of the other signals. Refer to 7.3.2 *Input Circuit Signal Allocation*.

#### (3) Changes in Output Torque during External Torque Limiting

Example: External torque limit (Pn402, Pn403) set to 800%

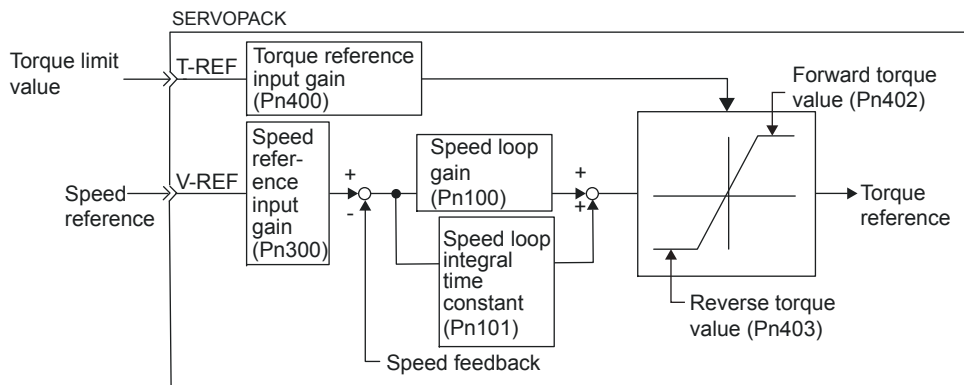


Note: In this example, the servomotor rotation direction is Pn000 = n.□□□0 (standard setting, CCW = forward).

### 8.9.3 Torque Limiting Using an Analog Voltage Reference

Torque limiting by analog voltage reference limits torque by assigning a torque limit in an analog voltage to the T-REF terminals (CN1-9 and 10). This function can be used only during speed or position control, not during torque control.

Refer to the following block diagram when the torque limit with an analog voltage reference is used for speed control.



There is no polarity in the input voltage of the analog voltage reference for torque limiting. The absolute values of both + and - voltages are input, and a torque limit value corresponding to that absolute value is applied in the forward or reverse direction.

#### (1) Related Parameters

Parameter	Meaning
<b>Pn002</b> n.□□□1	Speed control option: Uses the T-REF terminal to be used as an external torque limit input. When n.□□□2 is set, the T-REF terminal is used for torque feed-forward input, but the functions cannot be used together.

#### (2) Input Signals

Type	Signal Name	Connector Pin Number	Name
Input	T-REF	CN1-9	Torque reference input
	SG	CN1-10	Signal ground for torque reference input

The torque limit input gain is set at parameter Pn400. Refer to 8.7.1 Setting Parameters.

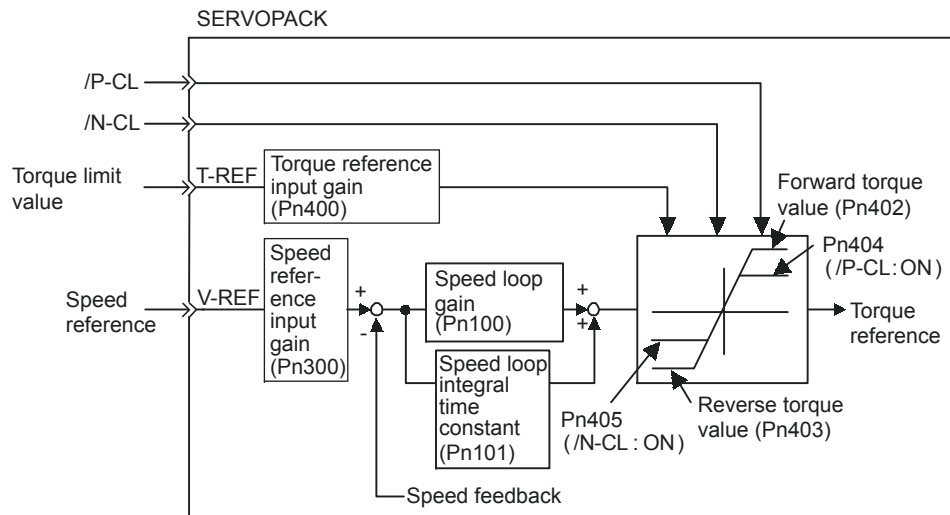
■ Input Specifications

- Input range: ±1 VDC to ±10 VDC/rated torque
- Maximum allowable input voltage: ±12 VDC

### 8.9.4 Torque Limiting Using an External Torque Limit and Analog Voltage Reference

This function can be used to combine torque limiting by an external input signal and by analog voltage reference. Because the torque limit by analog voltage reference is input from T-REF (CN1-9, 10), this function cannot be used during torque control. Use /P-CL (CN1-45) or /N-CL (CN1-46) for torque limiting by external input signal.

When /P-CL (or /N-CL) is ON, either the torque limit by analog voltage reference or the setting in Pn404 (or Pn405) will be applied as the torque limit, whichever is smaller.



#### (1) Related Parameters

Parameter	Meaning
<b>Pn002</b>	n.□□□3
Speed control option: When /P-CL or /N-CL is enabled, the T-REF terminal is used as the external torque limit input.	
When n.□□□2 is set, T-REF is used for torque feed-forward input, but the functions cannot be used together.	

<b>Pn404</b>	Forward External Torque Limit	<input type="checkbox"/> Speed	<input type="checkbox"/> Position	<input type="checkbox"/> Torque
	Setting Range	Setting Unit	Factory Setting	Setting Validation
	0 to 800	1%	100	Immediately
<b>Pn405</b>	Reverse External Torque Limit			
	Setting Range	Setting Unit	Factory Setting	Setting Validation
	0 to 800	1%	100	Immediately

\* The setting unit is a percentage of rated torque (i.e., the rated torque is 100%).

## (2) Input Signals

Type	Signal Name	Connector Pin Number	Name
Input	T-REF	CN1-9	Torque reference input
	SG	CN1-10	Signal ground for torque reference input
<p>The torque limit input gain is set in parameter Pn400. Refer to 8.7.1 <i>Setting Parameters</i>.</p> <p>■ Input Specifications</p> <ul style="list-style-type: none"> <li>• Input range: <math>\pm 1</math> VDC to <math>\pm 10</math> VDC/rated torque</li> <li>• Maximum allowable input voltage: <math>\pm 12</math> VDC</li> </ul>			

Type	Signal Name	Connector Pin Number	Setting	Meaning	Limit Value
Input	/P-CL	CN1-45 (Factory setting)	ON (low level)	Forward external torque limit ON	The analog voltage reference limit or the value set in Pn402 or Pn404 (whichever is smaller)
			OFF (high level)	Forward external torque limit OFF	Pn402
Input	/N-CL	CN1-46 (Factory setting)	ON (low level)	Reverse external torque limit ON	The analog voltage reference limit or the value set in Pn403 or Pn405 (whichever is smaller)
			OFF (high level)	Reverse external torque limit OFF	Pn403
<p>When using the torque limiting with the external torque limit and analog voltage reference, make sure that there are no other signals allocated to the same terminals as /P-CL and /N-CL. When multiple signals are allocated to the same terminal, the signals are handled with OR logic, which affects the ON/OFF state of the other signals. Refer to 7.3.2 <i>Input Circuit Signal Allocation</i>.</p>					

## 8.9.5 Checking Output Torque Limiting during Operation

The following signal can be output to indicate that the servomotor output torque is being limited.

Type	Signal Name	Connector Pin Number	Setting	Meaning
Output	/CLT	Must be allocated	ON (low level)	Servomotor output torque is being limited.
			OFF (high level)	Torque is not being limited.
<p>The output terminal must be allocated with parameter Pn50F to use this output signal. Refer to 7.3.3 <i>Output Circuit Signal Allocation</i> for details.</p>				

## 8.10 Control Mode Selection

The methods and conditions for switching SERVOPACK control modes are described below.

### 8.10.1 Setting Parameters

The following combinations of control modes can be selected according to the application at hand.

Parameter	Control Method
<b>Pn000</b>	n.□□4□ Internally set speed control (contact reference) ↔ Speed control (analog voltage reference)
	n.□□5□ Internally set speed control (contact reference) ↔ Position control (pulse train reference)
	n.□□6□ Internally set speed control (contact reference) ↔ Torque control (analog voltage reference)
	n.□□7□ Position control (pulse train reference) ↔ Speed control (analog voltage reference)
	n.□□8□ Position control (pulse train reference) ↔ Torque control (analog voltage reference)
	n.□□9□ Torque control (analog voltage reference) ↔ Speed control (analog voltage reference)
	n.□□A□ Speed control (analog voltage reference) ↔ Zero clamp
	n.□□B□ Position control (pulse train reference) ↔ Position control (inhibit)

### 8.10.2 Switching the Control Mode

#### (1) Switching Internally Set Speed Control (Pn000.1 = 4, 5, or 6)

With the sequence input signals in the factory setting (Pn50A = n.□□□0), the control mode will switch when both /P-CL (/SPD-A) and /N-CL (/SPD-B) signals are OFF (high level).

Type	Signal Name	Connector Pin Number	Setting	Meaning
Input	/P-CL	CN1-45 (Factory setting)	OFF (high level)	Switches control mode.
	(/SPD-A)	Must be allocated		
Input	/N-CL	CN1-46 (Factory setting)	OFF (high level)	
	(/SPD-B)	Must be allocated		
<p>■ Input Signal Selection</p> <p>The following two types of control mode selection are available for switching from internally set speed control:</p> <ul style="list-style-type: none"> <li>• Switching with the /P-CL and /N-CL input signals (pins allocated in factory setting)</li> <li>• Switching with the /SPD-A and /SPD-B input signals</li> </ul> <p>When using /SPD-A and /SPD-B, they must be allocated with parameter Pn50C. Refer to 7.3.2 <i>Input Circuit Signal Allocation</i>.</p>				

#### (2) Switching Other Than Internally Set Speed Control (Pn000.1 = 7, 8, 9, A, or B)

Use the following signals to switch control modes. The control modes switch as shown below for each of the signal states indicated.

When changing the sequence input signal from the factory setting (Pn50A = n.□□□1), allocate the /C-SEL to an input terminal and change modes with the /C-SEL signal. In this case, input a speed reference (analog voltage reference) for speed control, and a position reference (pulse train reference) for position control.

Type	Signal Name	Connector Pin Number	Setting	Pn000 Setting				
				n.□□7□	n.□□8□	n.□□9□	n.□□A□	n.□□B□
Input	/P-CON	CN1-41 (Factory setting)	ON (low level)	Speed	Torque	Speed	Zero clamp	Inhibit
			OFF (high level)	Position	Position	Torque	Speed	Position
Input	/C-SEL	Must be allocated	ON (low level)	Speed	Torque	Speed	Zero clamp	Inhibit
			OFF (high level)	Position	Position	Torque	Speed	Position

The control mode can be switched with either /P-CON or /C-SEL.

When using the /C-SEL signal, the input signal must be allocated. Refer to 7.3.2 *Input*

[www.nicsanat.com](http://www.nicsanat.com)

021-87700210



## 8.11 Other Output Signals

The following output signals, which have no direct connection with the control modes, are used for machine protection.

### 8.11.1 Servo Alarm Output (ALM) and Alarm Code Output (ALO1, ALO2, ALO3)

#### (1) Servo Alarm Output (ALM)

This signal is output when an error is detected in the SERVOPACK.

Type	Signal Name	Connector Pin Number	Setting	Meaning
Output	ALM	CN1-31, 32 (Factory setting)	ON (low level)	Normal SERVOPACK condition
			OFF (high level)	SERVOPACK alarm condition
<p>■ IMPORTANT</p> <p>Always form an external circuit so this alarm output turns OFF the main circuit power supply to the SERVOPACK.</p>				

#### (2) Alarm Reset

Type	Signal Name	Connector Pin Number	Name
Input	/ALM-RST	CN1-44	Alarm Reset
<p>When a servo alarm (ALM) has occurred and the cause of the alarm has been eliminated, the alarm can be reset by turning this signal (/ALM-RST) from OFF (high level) to ON (low level). This signal can be allocated to other pin numbers with Pn50B. For details on the procedure, refer to 7.3.2 <i>Input Circuit Signal Allocation</i>. The /ALM-RST signal cannot be constantly enabled by the allocation of an external input signal. Reset the alarm by changing the signal from high level to low level. The alarm can also be reset from the panel operator or digital operator. Refer to 7.1.2 <i>Key Names and Functions</i> for details.</p>			

#### IMPORTANT

1. Some encoder-related alarms cannot be reset with the /ALM-RST signal input. To reset these alarms, turn OFF the control power supply.
2. When an alarm occurs, always eliminate the cause before resetting the alarm. The methods for troubleshooting alarms are described in 11.1.3 *Troubleshooting of Alarm and Warning*.

#### (3) Alarm Code Output

Type	Signal Name	Connector Pin Number	Meaning
Output	ALO1	CN1-37	Alarm code output
Output	ALO2	CN1-38	Alarm code output
Output	ALO3	CN1-39	Alarm code output
Output	SG	CN1-1	Signal ground for alarm code output
<p>These open-collector signals output alarm codes. The ON/OFF combination of these output signals indicates the type of alarm detected by the servomotor. Use these signals to display alarm codes at the host controller. Refer to 11.1.1 <i>Alarm Display Table</i> for details on alarm code output.</p>			



## 8.11.2 Warning Output (/WARN)

Type	Signal Name	Connector Pin Number	Setting	Meaning
Output	/WARN	Must be allocated	ON (high level)	Normal state
			OFF (low level)	Warning state
This output signal displays warnings before an overload (A.71) or regenerative overload (A.32) alarm is output. For use, the /WARN signal must be allocated with parameter Pn50F. For details, refer to 7.3.3 <i>Output Circuit Signal Allocation</i> .				

- Related Parameters

The following parameter is used to select the alarm code output.

Parameter	Description
<b>Pn001</b>	
n.0□□□	Outputs alarm codes alone for alarm codes ALO1, ALO2, and ALO3.
n.1□□□	Outputs both alarm and warning codes for alarm codes ALO1, ALO2, and ALO3, and outputs an alarm code when an alarm occurs.
<ul style="list-style-type: none"> <li>• Refer to 8.11.1 <i>Servo Alarm Output (ALM) and Alarm Code Output (ALO1, ALO2, ALO3)</i> for alarm code descriptions.</li> <li>• Refer to 11.1.2 <i>Warning Display</i> for the ON/OFF combinations of ALO1, ALO2, and ALO3 when a warning code is output.</li> </ul>	

## 8.11.3 Running Output Signal (/TGON)

Type	Signal Name	Connector Pin Number	Setting	Meaning
Output	/TGON	CN1-27, 28 (Factory setting)	ON (low level)	Servomotor is operating (Motor speed is above the setting in Pn502).
			OFF (high level)	Servomotor is not operating (Motor speed is below the setting in Pn502).
This signal is output to indicate that the servomotor is currently operating above the setting in parameter Pn502. The /TGON signal can be allocated to another output terminal with parameter Pn50E. For details, refer to 7.3.3 <i>Output Circuit Signal Allocation</i> .				
<b>■ IMPORTANT</b> <ul style="list-style-type: none"> <li>• If the brake signal (/BK) and running output signal (/TGON) are allocated to the same output terminal, the /TGON signal will go to low level at the speed at which the movable part drops on the vertical axis, which means that the /BK signal will not go to high level. (This is because signals are output with OR logic when multiple signals are allocated to the same output terminal.). Always allocate /TGON and /BK signals to different terminals.</li> </ul>				

- Related Parameter

<b>Pn502</b>	Rotation Detection Level				
			<input type="text" value="Speed"/>	<input type="text" value="Position"/>	<input type="text" value="Torque"/>
	Setting Range	Setting Unit	Factory Setting	Setting Validation	
	1 to 10000	1 min <sup>-1</sup>	20	Immediately	
Set the range in which the running output signal (/TGON) is output in this parameter.					
When the servomotor rotation speed is above the value set in the Pn502, it is judged to be servomotor rotating and the running output signal (/TGON) is output. The rotation detection signal can also be checked on the digital operator. For details, refer to 7.1.4 <i>Status Display</i> and 7.4.1 <i>List of Monitor Modes</i> .					

### 8.11.4 Servo Ready (/S-RDY) Output

Type	Signal Name	Connector Pin Number	Setting	Meaning
Output	/S-RDY	CN1-29, 30 (Factory setting)	ON (low level)	Servo is ready.
			OFF (high level)	Servo is not ready.

This signal indicates that the SERVOPACK received the servo ON signal and completed all preparations. It is output when there are no servo alarms and the main circuit power supply is turned ON. An added condition with absolute encoder specifications is that when the SEN signal is at high level, absolute data was output to the host controller. The servo ready signal condition can also be checked on the digital operator. For details, refer to *7.1.4 Status Display* and *7.4.1 List of Monitor Modes*. The /S-RDY signal can be allocated to another output terminal with parameter Pn50E. For details, refer to *7.3.3 Output Circuit Signal Allocation*.

## Adjustments

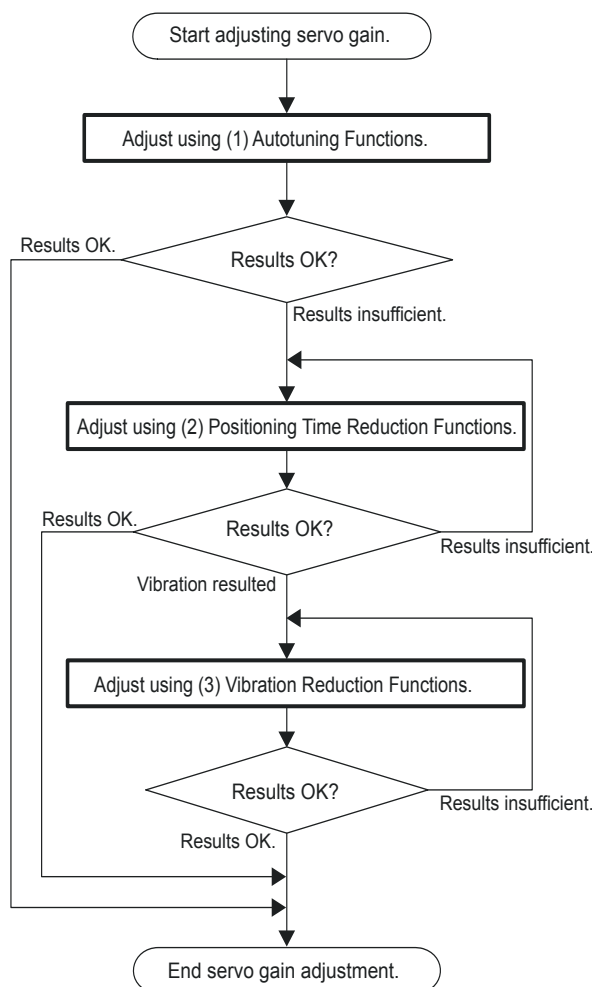
9.1 Autotuning	9-2
9.1.1 Servo Gain Adjustment Methods	9-2
9.1.2 List of Servo Adjustment Functions	9-3
9.2 Online Autotuning	9-5
9.2.1 Online Autotuning	9-5
9.2.2 Online Autotuning Procedure	9-6
9.2.3 Selecting the Online Autotuning Execution Method	9-7
9.2.4 Machine Rigidity Setting for Online Autotuning	9-7
9.2.5 Method for Changing the Machine Rigidity Setting	9-8
9.2.6 Saving the Results of Online Autotuning	9-9
9.2.7 Procedure for Saving the Results of Online Autotuning	9-9
9.3 Manual Tuning	9-10
9.3.1 Explanation of Servo Gain	9-10
9.3.2 Servo Gain Manual Tuning	9-11
9.3.3 Position Loop Gain	9-11
9.3.4 Speed Loop Gain	9-12
9.3.5 Speed Loop Integral Time Constant	9-12
9.4 Servo Gain Adjustment Functions	9-13
9.4.1 Feed-forward Reference	9-13
9.4.2 Torque Feed-forward	9-13
9.4.3 Speed Feed-forward	9-14
9.4.4 Proportional Control Operation (Proportional Operation Reference)	9-15
9.4.5 Using the Mode Switch (P/PI Switching)	9-16
9.4.6 Setting the Speed Bias	9-19
9.4.7 Speed Feedback Filter	9-19
9.4.8 Speed Feedback Compensation	9-19
9.4.9 Switching Gain Settings	9-21
9.4.10 Torque Reference Filter	9-22
9.5 Analog Monitor	9-24

## 9.1 Autotuning

### 9.1.1 Servo Gain Adjustment Methods

The SERVOPACK has the servo gains to determine the servo response characteristics. The servo gains are set in the parameters. The parameters are designated for each function as shown in *9.1.2 List of Servo Adjustment Functions*.

The servo gains are factory-set to stable values, and responsiveness can be increased depending on the actual machine conditions. The following flowchart shows an overview procedure for adjusting the servo gains to reduce the positioning time for position control. Follow this flowchart to effectively adjust the servo gains. For functions in bold lines in the flowchart, select the adjustment method according to the client's intent using *9.1.2 List of Servo Adjustment Functions*.



If the desired responsiveness cannot be achieved adjusting according to the servo gain adjustment methods, consider the following possible causes.

- Autotuning does not suit the operating conditions.  
Adjust the servo gains manually. Refer to *9.3 Manual Tuning*.
- The selection of settings for the positioning time reduction functions or vibration reduction functions are not appropriate.  
Each function may not be effective for all machines due to machine characteristics or operating conditions.  
Use other positioning time reduction function or vibration reduction function.

## 9.1.2 List of Servo Adjustment Functions

### (1) Autotuning Functions

Autotuning calculates the load moment of inertia, which determines the servo responsiveness, and automatically adjusts parameters, such as the Speed Loop Gain Kv (Pn100), Speed Loop Integral Time Constant Ti (Pn101), Position Loop Gain Kp (Pn102), and Torque Reference Filter Time Constant Tf (Pn401). Refer to the following table to select the appropriate autotuning function for your desired purpose and adjust the servo gains.

Function Name and Related Parameters	Description	Guidelines for Selection	Reference Section
Online Autotuning Pn110.0 Fn001 Fn007	This function automatically measures the machine characteristics and sets the required servo gains accordingly. This function allows beginners to adjust the servo gains easily. The load moment of inertia is calculated during operation for a user reference, and the servo gains (Kv, Ti, Kp, and Tf) are set according to the Machine Rigidity Setting (Fn001).	Only the minimum number of parameters must be set for autotuning using a normal operation reference.	9.2

### (2) Positioning Time Reduction Functions

Function Name and Related Parameters	Description	Features	Valid Control Modes	Reference Section
Feed-forward Pn109 Pn10A	Feed-forward compensation for the position reference is added to the speed reference.	Adjustment is easy. The system will be unstable if a large value is set, possibly resulting in overshooting or vibration.	Position	9.4.1
Torque feed-forward Pn002 Pn400	Inputs torque feed-forward to the torque reference input terminal and adds to the internal torque reference at the speed control.		Speed	9.4.2
Speed feed-forward Pn207 Pn300	Inputs speed feed-forward to the speed reference input terminal and adds to the internal speed reference at the position control.		Position	9.4.3
Mode Switch (P/PI Switching) Pn10B Pn10C Pn10D Pn10E Pn10F	Switches from PI control to P control using the value of an internal servo variable in a parameter (torque, speed, acceleration, or position error) as a threshold value.	The setting for automatic switching between PI and P control is easy.	Position Speed	9.4.5
Speed Feedback Compensation Pn110 Pn111	Compensates the motor speed using an observer.	Adjustment is easy because the compensation can be set as a percentage. If the speed loop gain increases, the position loop gain also increases, however sometimes the servo rigidity decreases.	Position Speed	9.4.8
Gain Switching Pn100 Pn101 Pn102 Pn104 Pn105 Pn106	Uses the external signals to change each parameter for speed loop gain (Kv), speed loop integral time constant (Ti), and position loop gain (Kp.)	–	Position Speed	9.4.9

## (3) Vibration Reduction Functions

Function Name and Related Parameters	Description	Features	Valid Control Modes	Reference Section
Soft Start Pn305 Pn306	Converts a stepwise speed reference to a constant acceleration or deceleration for the specified time interval.	A constant acceleration/deceleration is achieved for smoother operation. The operation time is increased for the specified time.	Speed	8.5.4
Acceleration/ Deceleration Filters Pn204 Pn207	A 1st-order delay filter for the position reference input.	Enables smooth operation. The reference time increases by the filter delay time even after the reference input has been completed.	Position	8.6.4
Movement Average Filter Pn207 Pn208	A movement averaging filter for the position reference input.	Enables smooth operation. The reference time increases by the filter delay time even after the reference input has been completed.	Position	8.6.4
Speed Feedback Filter Pn308	A standard 1st-order delay filter for the speed feedback.	The feedback speed is smoother. The response is delayed if a large value is set.	Position Speed	9.4.7
Speed Reference Filter Pn307	A 1st-order delay filter for the speed reference.	The speed reference is smoother. The response is delayed if a large value is set.	Speed	8.5.5
Torque Reference Filter Pn401	A series of three filter time constants, 1st-order, 2nd-order, and 1st-order, can be set in order for the torque reference.	These filters are effective in essentially all frequency bands. The response is delayed if a large value (low frequency) is set.	Position Speed Torque	9.4.10
Notch Filter Pn409	Notch filters can be set for the torque reference.	Mainly effective for vibration between 500 and 2,000 Hz. Instability will result if the setting is not correct.	Position Speed Torque	9.4.10

## 9.2 Online Autotuning

### 9.2.1 Online Autotuning

Online autotuning calculates the load moment of inertia during operation of the SERVOPACK and sets parameters so that the servo gains consistent with the Machine Rigidity (Fn001) are achieved.

Online autotuning may not be effective in the following cases.

- The load moment of inertia varies in less than 200 ms.
- The motor speed is lower than  $100 \text{ min}^{-1}$  or the acceleration reference is very even.
- Load rigidity is low and mechanical vibration occurs easily or friction is high.
- The speed reference is a stepwise reference.

If the condition meets one of the above cases or the desired operation cannot be achieved by the online autotuning, calculate the load moment of inertia on the basis of the machine specifications or using the moment of inertia detection function of Yaskawa's servo drive supporting tool "SigmaWin+<sup>1</sup>." Set the value in Pn103 and perform the adjustment manually.

The following utility function is also available for the online autotuning.

Fn007: Writes the load moment of inertia calculated by the online autotuning in Pn103 and uses as the default value for the next calculation.



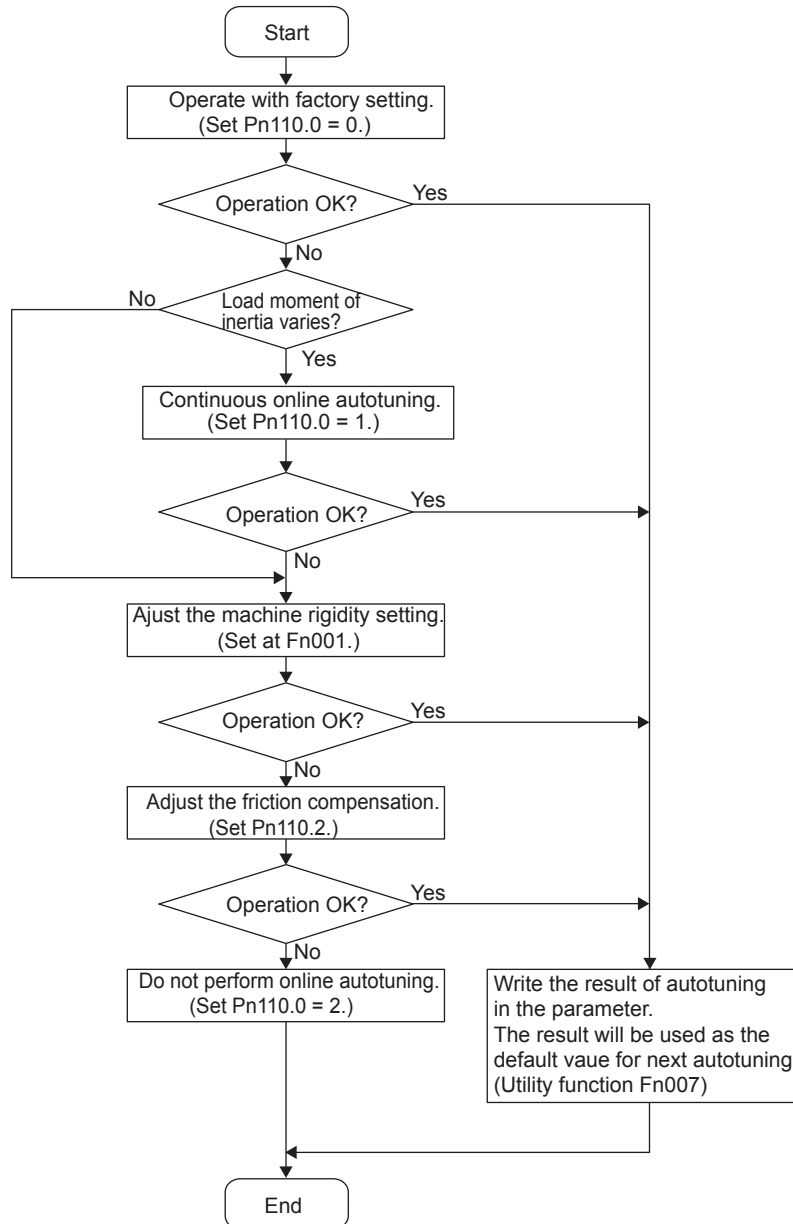
<sup>1</sup> SigmaWin+

SigmaWin+ is a Windows-compatible software tool used to set up and tune Yaskawa servo drives. It can be downloaded from the e-mechatronics site (<http://www.e-mechatronics.com/en>).

## 9.2.2 Online Autotuning Procedure

## ⚠ WARNING

- Do not perform extreme adjustment or setting changes causing unstable servo operation. Failure to observe this warning may result in injury and damages to the machine.
- Adjust the gains slowly while confirming motor operation.





### 9.2.3 Selecting the Online Autotuning Execution Method

There are three methods that can be used for online autotuning: At start of operation, constantly, and none. The selection method is described next.

Pn110	Online Autotuning Switches			
	Setting Range	Setting Unit	Factory Setting	Setting Validation
	–	–	0010	After restart
	Speed <input type="checkbox"/> Position <input type="checkbox"/>			
Parameter	Meaning			
Pn110	n.□□□0	Online autotuning is performed only after the first time power is turned ON. (Factory Setting)		
Pn110	n.□□□1	Online autotuning (moment of inertia calculations) is performed continuously.		
Pn110	n.□□□2	Online autotuning is not performed.		

The factory setting is n.□□□0. This setting is recommended for applications in which the load moment of inertia does not change much or if the load moment of inertia is not known. The inertia calculated at the beginning of operation is used continuously. In this case, differences in machine status and operation references at the beginning of operation may cause minor differences in the calculation results of the load moment of inertia, causing differences in the servo responsiveness each time the power supply is turned ON.

If this occurs, overwrite the moment of inertia ratio in Pn103 using the utility function Fn007 (Writing to EEPROM moment of inertia ratio data obtained from online autotuning), and set Pn110 to n.□□□2 to disable online autotuning.

The setting n.□□□1 is used when the load moment of inertia varies constantly. This setting enables a consistent responsiveness even when the load moment of inertia changes. If the load moment of inertia changes in less than 200 ms, however, the autotuning accuracy will deteriorate, in which case Pn110.0 should be set to 0 or 2.

The setting n.□□□2 is used when online autotuning is not possible, when the load moment of inertia is known and the moment of inertia ratio is set in Pn103 to perform the adjustment manually, or any other time the online autotuning function is not going to be used.

### 9.2.4 Machine Rigidity Setting for Online Autotuning

There are ten machine rigidity settings for online autotuning. When the machine rigidity setting is selected, the servo gains (Speed Loop Gain, Speed Loop Integral Time Constant, Position Loop Gain, and Torque Reference Filter Time Constant) are determined automatically. The factory setting for the machine rigidity setting is 4. The speed loop is suitable for PI or I-P control.

When parameter Pn10B.1 is 0, PI control will be used and when Pn10B.1 is 1, I-P control will be used. To validate the setting, however, the power supply must be turned OFF and then back ON.

After having validated the setting, always set the machine rigidity setting.

When setting the machine rigidity after having changed the position loop gain (Pn102), the value closest to the set position loop gain is displayed as the initial value of machine rigidity.

- Speed Loop PI Control

Machine Rigidity Setting Fn001	Position Loop Gain [s <sup>-1</sup> ] Pn102	Speed Loop Gain [Hz] Pn100	Speed Loop Integral Time Constant [0.01 ms] Pn101	Torque Reference Filter Time Constant [0.01 ms] Pn401
1	15	15	6000	250
2	20	20	4500	200
3	30	30	3000	130
4	40	40	2000	100
5	60	60	1500	70
6	85	85	1000	50
7	120	120	800	30
8	160	160	600	20
9	200	200	500	15
10	250	250	400	10

If the machine rigidity setting is greater, the servo gain will increase and positioning time will decrease. If the setting is too large, however, vibration may result depending on the machine configuration. Set the machine rigidity starting at a low value and increasing it within the range where

### 9.2.5 Method for Changing the Machine Rigidity Setting

The machine rigidity setting is changed in utility function mode using parameter Fn001. The procedure is given below.

Step	Display after Operation	Digital Operator	Panel Operator	Description
1		 (DSPL/SET Key)	 (MODE/SET Key)	Press the DSPL/SET or MODE/SET Key to select the utility function mode.
2				Press the Up or Down Cursor Key to select Fn001. *The digit that can be set will blink.
3		 (DATA/ENTER Key)	 (DATA/SHIFT) (Press at least 1 s.)	Press the DATA/ENTER or DATA/SHIFT Key for more than one second. The display shown at the left will appear and the rigidity for online autotuning can be set.
4	 			Press the Up or Down Cursor Key to select the machine rigidity setting.
5		 (DSPL/SET Key)	 (MODE/SET Key)	Press the DSPL/SET or MODE/SET Key. The rigidity setting will be changed and “donE” will blink on the display for about one second.
6		About one second later		After “donE” is displayed, the setting will be displayed again.
7		 (DATA/ENTER Key)	 (DATA/SHIFT) (Press at least 1 s.)	Press the DATA/ENTER or DATA/SHIFT Key for more than one second to return to the Fn001 display of the utility function mode.

This completes changing the machine rigidity setting for online autotuning.

## 9.2.6 Saving the Results of Online Autotuning

### CAUTION

- Always set the correct moment of inertia ratio when online autotuning is not used.  
If the moment of inertia ratio is set incorrectly, vibration may occur.

For online autotuning, the most recent load moment of inertia is calculated and the control parameters are adjusted to achieve response suitable for the machine rigidity setting. When online autotuning is performed, the Position Loop Gain (Pn102), Speed Loop Gain (Pn100), and Speed Loop Integral Time Constant (Pn101) are saved. When the power supply to the SERVOPACK is turned OFF, however, the calculated load moment of inertia is lost and the factory setting is used as the default value to start autotuning the next time the power supply is turned ON.

To use the calculated load moment of inertia as the default value the next time the power supply is turned ON, the utility function mode parameter Fn007 (Writing to EEPROM moment of inertia ratio data obtained from online autotuning) can be used to save the most recent value in parameter Pn103 (Moment of Inertia Ratio). The moment of inertia ratio is given as the moment of inertia ratio (%) of the rotor moment of inertia of the servomotor.


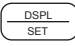







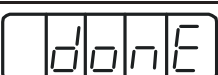
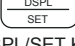





Pn103	Moment of Inertia Ratio			
	Setting Range	Setting Unit	Factory Setting	Setting Validation
	0 to 20,000 (0 to 10,000) *	1%	0	Immediately

Moment of inertia ratio =  $\frac{\text{Motor axis conversion load moment of inertia (J}_L\text{)}}{\text{Rotor moment of inertia (J}_M\text{)}}$

The factory setting for the moment of inertia ratio is 0% (no-load operation of motor without connecting a machine).  
\* Used when the software version is 31 or earlier.

## 9.2.7 Procedure for Saving the Results of Online Autotuning

The following procedure is used to save the results of online autotuning.

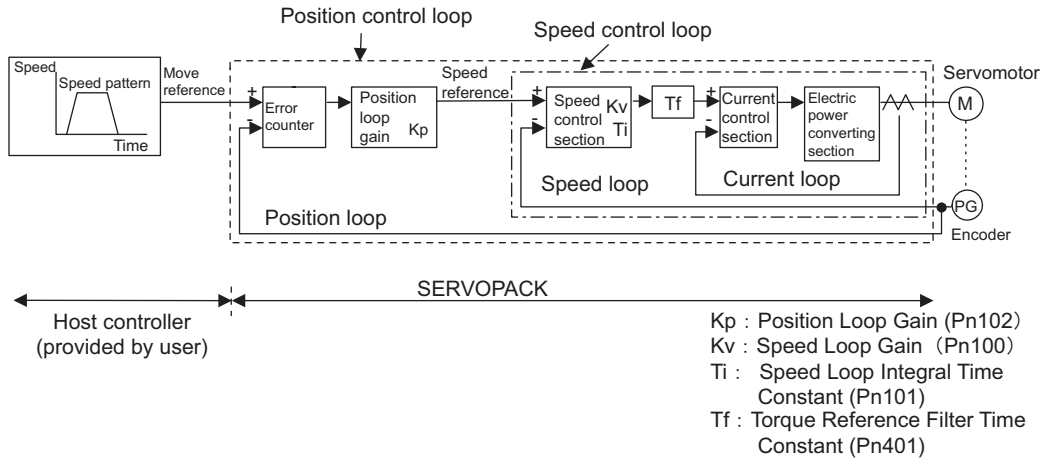
Step	Display after Operation	Digital Operator	Panel Operator	Description
1		 (DSPL/SET Key)	 (MODE/SET Key)	Press the DSPL/SET or MODE/SET Key to select the utility function mode.
2				Press the Up or Down Cursor Key to select parameter Fn007. *The digit that can be set will blink.
3		 (DATA/ENTER Key)	 (Press at least 1 s.)	Press the DATA/ENTER or DATA/SHIFT Key for more than one second. The display at the left will appear for a moment of inertia ratio of 200%.
4		 (DSPL/SET Key)	 (MODE/SET Key)	Press the DSPL/SET or MODE/SET Key. The moment of inertia ratio will be saved. When completed, "done" will blink for about one second.
5		About one second later		After "done" is displayed, the moment of inertia ratio will be displayed again.
6		 (DATA/ENTER Key)	 (Press at least 1 s.)	Press the DATA/ENTER or DATA/SHIFT Key for more than one second to return to the Fn007 display of the utility function mode.

This completes saving the default value for the moment of inertia ratio for online autotuning. The next time the power supply is turned ON, the value that was saved for the Moment of Inertia Ratio (Pn103) will be used to start online autotuning.

## 9.3 Manual Tuning

### 9.3.1 Explanation of Servo Gain

The block diagram for position control is as follows:



To adjust the servo gain manually, understand the configuration and characteristics of the SERVOPACK and adjust the servo gain parameters one by one. If one parameter is changed, it is almost always necessary to adjust the other parameters. It will also be necessary to make preparations such as setting up a measuring instrument to monitor the output waveform from the analog monitor.

The SERVOPACK has three feedback loops (i.e., position loop, speed loop, and current loop). The innermost loop must have the highest response and the middle loop must have higher response than the outermost. If this principle is not followed, it will result in vibration or responsiveness decreases.

The SERVOPACK is designed to ensure that the current loop has good response performance. The user need to adjust only position loop gain and speed loop gain.

### 9.3.2 Servo Gain Manual Tuning

The SERVOPACK has the following parameters for the servo gains. Setting the servo gains in the parameters can adjust the servo responsiveness.

- Pn100: Speed loop gain (Kv)
- Pn101: Speed loop integral time constant (Ti)
- Pn102: Position loop gain (Kp)
- Pn401: Torque reference filter time constant (Tf)

For the position and speed control, the adjustment in the following procedure can increase the responsiveness. The positioning time in position control can be reduced.

Step	Explanation
1	Set correctly the moment of inertia ratio (Pn103). The utility function Fn007 can be used after the online autotuning.
2	Increase the speed loop gain (Pn100) to within the range so that the machine does not vibrate. At the same time, decrease the speed loop integral time constant (Pn101).
3	Adjust the torque reference filter time constant (Pn401) so that no vibration occurs.
4	Repeat the steps 1 and 2. Then reduce the value for 10 to 20%.
5	For the position control, increase the position loop gain (Pn102) to within the range so that the machine does not vibrate.

Perform the manual tuning in the following cases.

- To increase the servo gains more than the values set by the online autotuning.
- To determine the servo gains and moment of inertia ratio by the user.

Start the manual tuning from the factory setting or the values set by the online autotuning. Prepare measuring instruments such as memory recorder so that the signals can be observed from the analog monitor (CN5) such as “Torque Reference” and “Motor Speed,” and “Position Error Monitor” for the position control. (Refer to 9.5 *Analog Monitor*.) The servo drive supporting tool “SigmaWin+<sup>1</sup>” allows you to observe such signals. Prepare either of them.

### 9.3.3 Position Loop Gain

Pn102	Position Loop Gain (Kp)			Position
	Setting Range	Setting Unit	Factory Setting	Setting Validation
	1 to 2,000	1/s	40	Immediately

The responsiveness of the position loop is determined by the position loop gain. The responsiveness increases and the positioning time decreases when the position loop gain is set to a higher value. In general, the position loop gain cannot be set higher than natural vibrating frequency of the mechanical system, so the mechanical system must be made more rigid to increase its natural vibrating frequency and allow the position loop gain to be set to a high value.



If the position loop gain (Pn102) cannot be set high in the mechanical system, an overflow alarm may occur during high speed operation. In this case, increase the values in the following parameter to suppress detection of the overflow alarm.

Pn505	Overflow Level			Position
	Setting Range	Setting Unit	Factory Setting	Setting Validation
	1 to 32,767	256 reference units	1,024	Immediately

This parameter's new setting must satisfy the following condition.

$$Pn505 \geq \frac{\text{Max. feed speed (reference units/s)}}{Pn102} \times 2.0$$


<sup>1</sup> SigmaWin+

### 9.3.4 Speed Loop Gain

<b>Pn100</b>	Speed Loop Gain (Kv)			<input type="checkbox"/> Speed	<input type="checkbox"/> Position
	Setting Range	Setting Unit	Factory Setting	Setting Validation	
	1 to 2,000	1 Hz	40	Immediately	
<p>This parameter determines the responsiveness of the speed loop. If the speed loop's responsiveness is too low, it will delay the outer position loop and cause overshooting and vibration of the speed reference. The SERVOPACK will be most stable and responsive when the speed loop gain is set as high as possible within the range that does not cause vibration in the mechanical system. The value of speed loop gain is the same as the set value of Pn100 if the moment of inertia ratio in Pn103 has been set correctly.</p>					

<b>Pn103</b>	Moment of Inertia Ratio			<input type="checkbox"/> Speed	<input type="checkbox"/> Position	<input type="checkbox"/> Torque
	Setting Range	Setting Unit	Factory Setting	Setting Validation		
	0 to 20,000	1 %	0	Immediately		
$\text{Pn103setvalue} = \frac{\text{Motor axis conversion load moment of inertia } (J_L)}{\text{Servomotor rotor moment of inertia } (J_M)} \times 100(\%)$ <p>The factory setting is Pn103=0. Before adjusting the servo, determine the moment of inertia ratio with the equation above and set parameter Pn103.</p>						

### 9.3.5 Speed Loop Integral Time Constant

<b>Pn101</b>	Speed Loop Integral Time Constant (Ti)			<input type="checkbox"/> Speed	<input type="checkbox"/> Position
	Setting Range	Setting Unit	Factory Setting	Setting Validation	
	15 to 51,200 (0.15 to 512.00 ms)	0.01 ms	2,000 (20.00 ms)	Immediately	
<p>The speed loop has an integral element so that the speed loop can respond to minute inputs. This integral element causes a delay in the SERVOPACK. If the time constant is set too long, overshooting will occur, which results in a longer positioning settling time or responsiveness decreases.</p> <p>The estimated set value for Pn101 depends on the speed loop control method with Pn10B.1, as shown below.</p>					



#### ■ Selecting the Speed Loop Control Method (PI Control or I-P Control)

Generally, I-P control is more effective in high-speed positioning or high-speed/precision manufacturing applications. The position loop gain is lower than it would be in PI control, so shorter positioning times and smaller arc radii can be achieved. On the other hand, PI control is generally used when switching to P control fairly often with a mode switch or other method.

## 9.4 Servo Gain Adjustment Functions

### 9.4.1 Feed-forward Reference

<b>Pn109</b>	Feed-forward			Position
	Setting Range	Setting Unit	Factory Setting	Setting Validation
	0 to 100	1%	0	Immediately
<b>Pn10A</b>	Feed-forward Filter Time Constant			Position
	Setting Range	Setting Unit	Factory Setting	Setting Validation
	0 to 6,400 (0.00 to 64.00 ms)	0.01ms	0 (0.00 ms)	Immediately

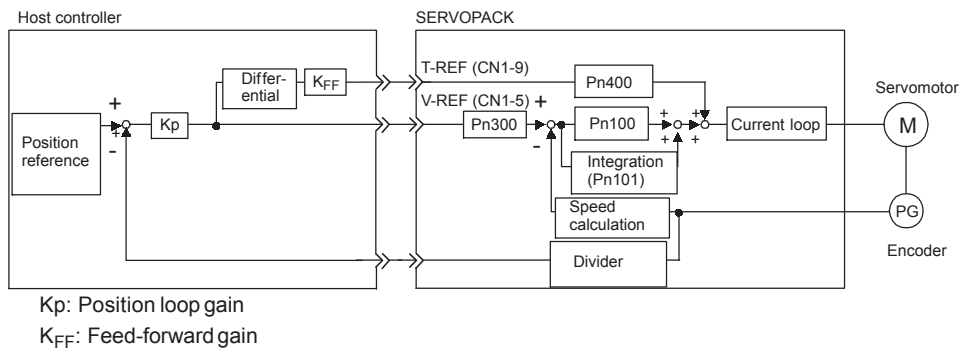
Applies feed-forward compensation in position control inside the SERVOPACK. Use this parameter to shorten positioning time. Too high value may cause the machine to vibrate. For ordinary machines, set 80% or less in this parameter.

### 9.4.2 Torque Feed-forward

Parameter	Meaning
<b>Pn002</b>	n.□□□0 Disabled
	n.□□□2 Uses T-REF terminal for torque feed-forward input.

<b>Pn400</b>	Torque Reference Input Gain			Speed	Position	Torque
	Setting Range	Setting Unit	Factory Setting	Setting Validation		
	10 to 100 (1.0 to 10.0 V/rated torque)	0.1 V/rated torque	30 (3 V/rated torque)	Immediately		

The torque feed-forward function is valid only in speed control (analog reference). The torque feed-forward function shortens positioning time, differentiates a speed reference at the host controller to generate a torque feed-forward reference, and inputs the torque feed-forward reference together with the speed reference to the SERVOPACK. Too high a torque feed-forward value will result in overshooting or undershooting. To prevent such troubles, set the optimum value while observing the system responsiveness. Connect a speed reference signal line to V-REF (CN1-5 and -6) and a torque forward-feed reference to T-REF (CN1-9 and -10) from the host controller.



Torque feed-forward is set using the parameter Pn400. The factory setting is Pn400 = 30. If, for example, the torque feed-forward value is ±3V, then, the torque is limited to ±100% of the rated torque. The torque feed-forward function cannot be used with torque limiting by analog voltage reference described in 8.9.3 *Torque Limiting Using an Analog Voltage Reference.*

### 9.4.3 Speed Feed-forward

Parameter	Meaning
Pn207	n.□□0□ Disabled
	n.□□1□ Uses V-REF terminal for speed feed-forward input.

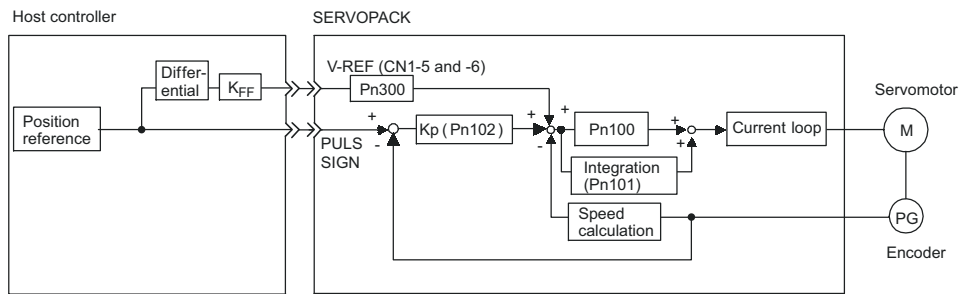
Pn300	Speed Reference Input Gain <span style="float:right">Speed <input type="checkbox"/> Position <input type="checkbox"/> Torque <input type="checkbox"/></span>			
	Setting Range	Setting Unit	Factory Setting	Setting Validation
	150 to 3,000 (1.50 to 30.00 V/rated speed)	0.01 V/rated speed	600 (6 V/rated speed)	Immediately

The speed feed-forward function uses analog voltages and is valid only in position control.

The speed feed-forward function is used to shorten positioning time. The host controller differentiates the position reference to generate the feed-forward reference, and inputs the feed-forward reference together with the position reference to the SERVOPACK.

Too high a speed feed-forward value will result in overshooting or undershooting. To prevent such troubles, set the optimum value while observing the system responsiveness.

Connect a position reference signal line to PULS and SIGN (CN1-7, -8, -11, and -12) and a speed feed-forward reference signal line to V-REF (CN1-5 and -6) from the host controller.



Kp: Position loop gain  
 KFF: Feed-forward gain

Speed feed-forward value is set using the parameter Pn300.  
 The factory setting is Pn300 = 600. If, for example, the speed feed-forward value is ±6V, then the speed is limited to the rated speed.



### 9.4.4 Proportional Control Operation (Proportional Operation Reference)

If parameter Pn000.1 is set to 0 or 1 as shown below, the /P-CON input signal serves as switch to change between PI control and P control.

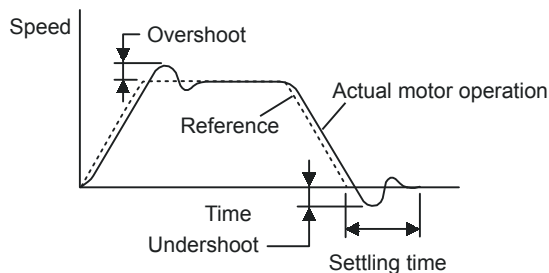
- PI control: Proportional/Integral control
- P control: Proportional control

Parameter		Control Mode					
Pn000	n.□□0□	Speed Control	Effective in speed control or position control. Input signal /P-CON (CN1-41) is used to select PI control or P control.				
	n.□□1□	Position Control	<table border="1"> <tr> <td>CN1-41 is OFF (H level).</td> <td>PI control</td> </tr> <tr> <td>CN1-41 is ON (L level).</td> <td>P control</td> </tr> </table>	CN1-41 is OFF (H level).	PI control	CN1-41 is ON (L level).	P control
CN1-41 is OFF (H level).	PI control						
CN1-41 is ON (L level).	P control						
<ul style="list-style-type: none"> <li>• When sending references from the host controller to the SERVOPACK, P control mode can be selected from the host controller for particular operating conditions. This mode switching method can be used to suppress overshooting and shorten the settling time. Refer to 9.4.5 Using the Mode Switch (P/PI Switching) for more details on inputting the /P-CON signal and switching the control mode for particular operating conditions.</li> <li>• If PI control mode is being used and the speed reference has a reference offset, the servomotor may rotate very slowly and fail to stop even if 0 is specified as the speed reference. In this case, use P control mode to stop the servomotor.</li> </ul>							

### 9.4.5 Using the Mode Switch (P/PI Switching)

Use the mode switch (P/PI switching) function in the following cases:

- To suppress overshooting during acceleration or deceleration (for speed control)
- To suppress undershooting during positioning and reduce the settling time (for position control)



The mode switch function automatically switches the speed control mode from PI control mode to P control<sup>1</sup> mode based on a comparison between the servo's internal value and a user-set detection level.

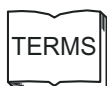
#### IMPORTANT

1. The mode switch function is used in very high-speed positioning when it is necessary to use the servo drive near the limits of its capabilities. The speed response waveform must be observed to adjust the mode switch.
2. For normal use, the speed loop gain and position loop gain set by autotuning provide sufficient speed/position control. Even if overshooting or undershooting occur, they can be suppressed by setting the host controller's acceleration/deceleration time constant, the SERVOPACK's Soft Start Acceleration/Deceleration Time (Pn305, Pn306), or Position Reference Acceleration/Deceleration Time Constant (Pn204).

#### (1) Selecting the Mode Switch Setting

The SERVOPACK provides the following four mode switch settings (0 to 3). Select the appropriate mode switch setting with parameter Pn10B.0.

Parameter	Mode Switch Selection	Parameter Containing Detection Point Setting	Setting Unit
Pn10B	n.□□□0	Use a torque reference level for detection point. (Factory Setting)	Pn10C Percentage to the rated torque
	n.□□□1	Use a speed reference level for detection point.	Pn10D Servomotor speed: $\text{min}^{-1}$
	n.□□□2	Use an acceleration level for detection point.	Pn10E Servomotor acceleration: $10 \text{ min}^{-1}/\text{s}$
	n.□□□3	Use a position error pulse for detection point.	Pn10F Reference unit
	n.□□□4	Do not use the mode switch function.	– –
Select a condition to execute the mode switch (P/PI switching). (Setting is validated immediately.)			



<sup>1</sup> From PI control to P control

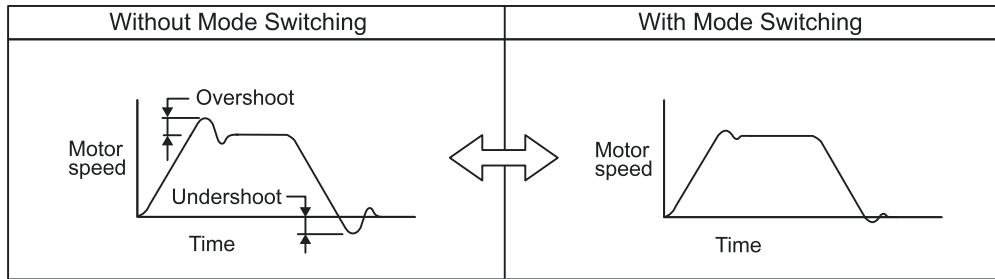
PI control means proportional/integral control and P control means proportional control. "From PI control to P control" reduces effective servo gain, making the SERVOPACK more stable.

### Using the Torque Reference Level to Switch Modes (Factory Setting)

With this setting, the speed loop is switched to P control when the value of torque reference input exceeds the torque set in parameter Pn10C. The factory default setting for the torque reference detection point is 200% of the rated torque (Pn10C = 200).

**■ Operating Example**

If the mode switch function is not being used and the SERVOPACK is always operated with PI control, the speed of the motor may overshoot or undershoot due to torque saturation during acceleration or deceleration. The mode switch function suppresses torque saturation and eliminates the overshooting or undershooting of the motor speed.

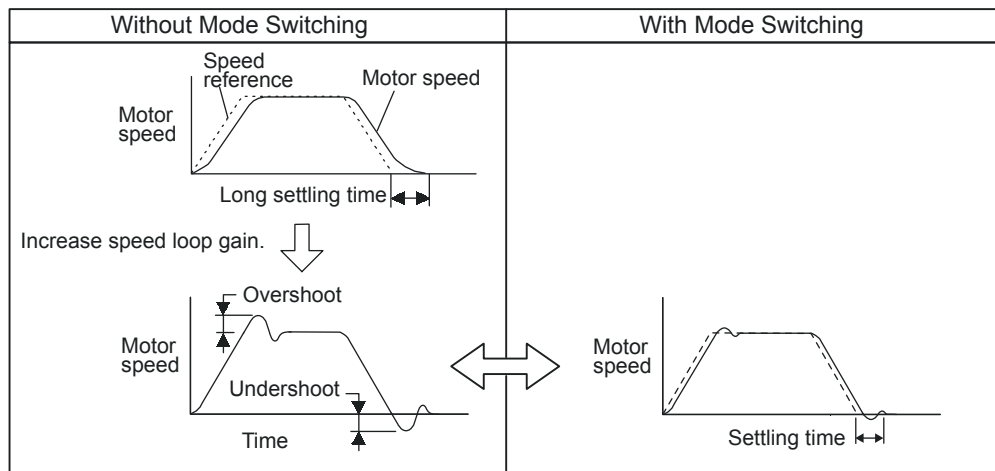


### Using the Speed Reference Level to Switch Modes

With this setting, the speed loop is switched to P control when the value of speed reference input exceeds the speed set in parameter Pn10D.

**■ Operating Example**

In this example, the mode switch is used to reduce the settling time. It is necessary to increase the speed loop gain to reduce the settling time. Using the mode switch suppresses overshooting and undershooting when speed loop gain is increased.

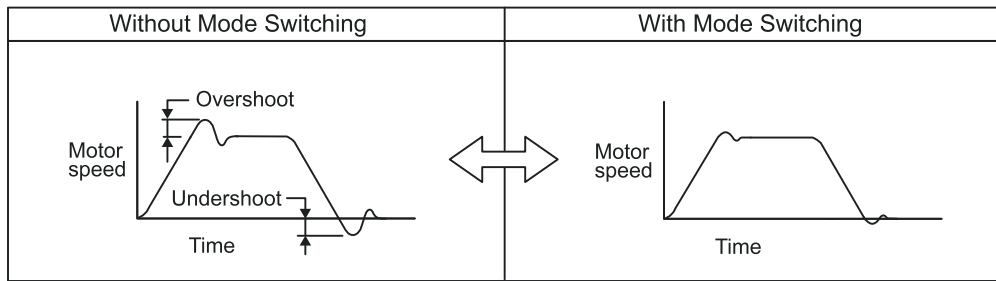


### Using the Acceleration Level to Switch Modes

With this setting, the speed loop is switched to P control when the motor's acceleration rate exceeds the acceleration rate set in parameter Pn10E.

■ Operating Example

If the mode switch function is not being used and the SERVOPACK is always operated with PI control, the speed of the motor may overshoot or undershoot due to torque saturation during acceleration or deceleration. The mode switch function suppresses torque saturation and eliminates the overshooting or undershooting of the motor speed.

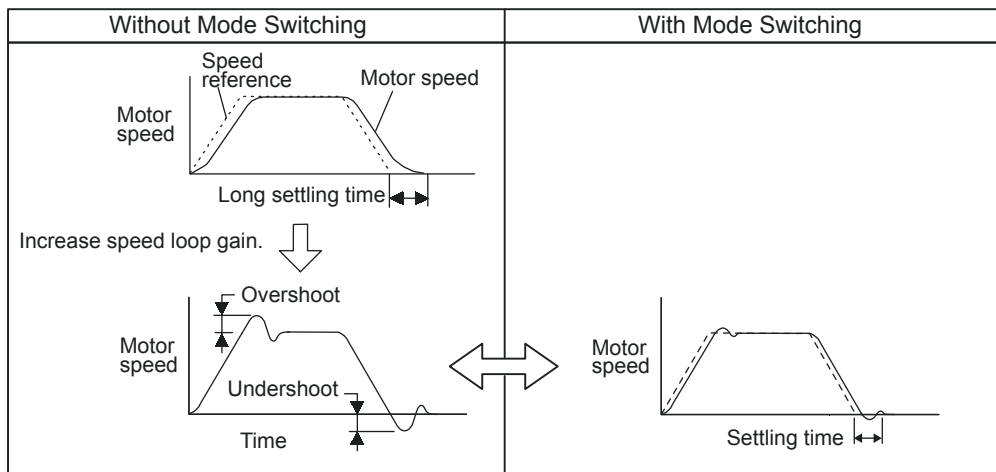


### Using the Error Pulse Level to Switch Modes

This setting is effective with position control only.  
 With this setting, the speed loop is switched to P control when the error pulse exceeds the value set in parameter Pn10F.

■ Operating Example

In this example, the mode switch is used to reduce the settling time. It is necessary to increase the speed loop gain to reduce the settling time. Using the mode switch suppresses overshooting and undershooting when speed loop gain is increased.



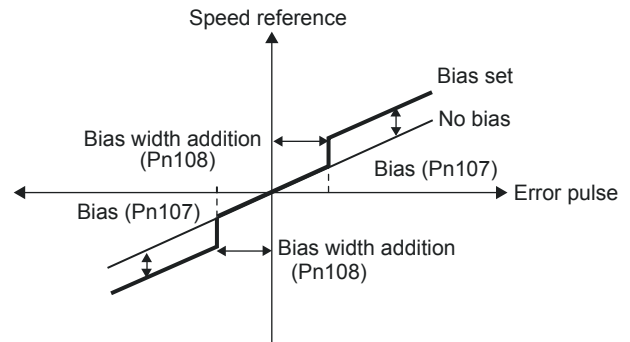
### 9.4.6 Setting the Speed Bias

The settling time for positioning can be reduced by setting the following parameters to add bias in the speed reference block in the SERVOPACK.

<b>Pn107</b>	Bias			Position
	Setting Range	Setting Unit	Factory Setting	Setting Validation
	0 to 450	1 min <sup>-1</sup>	0	Immediately
<b>Pn108</b>	Bias Width Addition			Position
	Setting Range	Setting Unit	Factory Setting	Setting Validation
	0 to 250	1 Reference units	7	Immediately

To reduce the positioning time, set these parameters based on the machine's characteristics.

The Bias Width Addition (Pn108) specifies when the Bias (Pn107) is added and the width is expressed in error pulse units. The bias input will be added when the error pulse value exceeds the width set in Pn108.



### 9.4.7 Speed Feedback Filter

<b>Pn308</b>	Speed Feedback Filter Time Constant			Speed	Position
	Setting Range	Setting Unit	Factory Setting	Setting Validation	
	0 to 65,535 (0.00 to 655.35 ms)	0.01 ms	0 (0.00 ms)	Immediately	
Sets the 1st-order filter for the speed loop's speed feedback. Makes the motor speed smoother and reduces vibration. If the set value is too high, it will introduce a delay in the loop and cause poor responsiveness.					

### 9.4.8 Speed Feedback Compensation

The speed feedback compensation can be used to reduce vibration and allow a higher speed loop gain to be set. In the end, the speed feedback compensation allows the positioning settling time to be reduced because the position loop gain can also be increased if the speed loop gain can be increased.

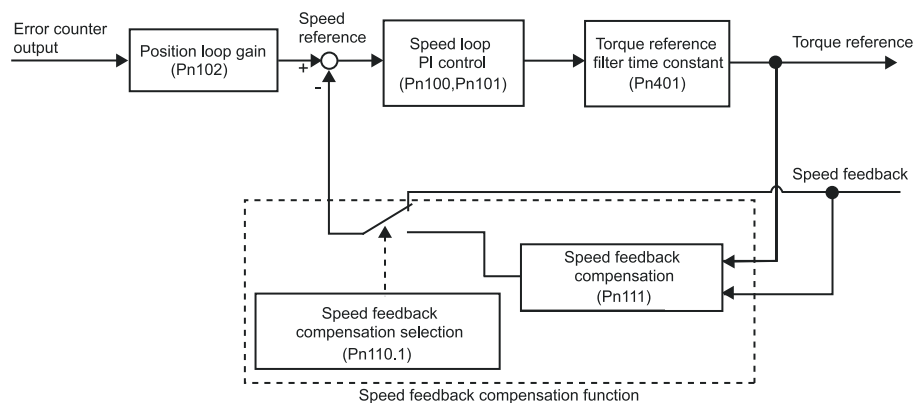
<b>Pn110</b>	Online Autotuning Switches			Speed	Position
	Setting Range	Setting Unit	Factory Setting	Setting Validation	
	–	–	0010	After restart	

<b>Pn111</b>	Speed Feedback Compensation			Speed	Position
	Setting Range	Setting Unit	Factory Setting	Setting Validation	
	1 to 500	1%	100	Immediately	

Parameter	Function
<b>Pn110</b> n.□□0□	Speed feedback compensation is used.
n.□□1□	Speed feedback compensation is not used. (Standard speed feedback)

**IMPORTANT**

When this function is used, it is assumed that the moment of inertia ratio set in Pn103 is correct. Verify that the moment of inertia ratio has been set correctly.



### • Adjustment Procedure

The following procedure explains how to adjust when the speed loop gain cannot be increased due to vibrations in the mechanical system. When adding a speed feedback compensation, observe the position error and torque reference with the analog monitor while adjusting the servo gain. Refer to *9.5 Analog Monitor* on monitoring the position error and torque reference.

1. Set parameter Pn110 to “0002” so that the following conditions are satisfied.
  - To use the speed feedback compensation
  - Not to use the online autotuning function
2. With PI control, gradually increase the Speed Loop Gain in Pn100 and reduce the Speed Loop Integral Time Constant Pn101, so that the setting the Position Loop Gain in Pn102 to the same value as that of the Speed Loop Gain in Pn100.

Use the result from the following equation as an initial estimate when setting the Speed Loop Integral Time Constant in Pn101.

$$\text{Speed loop integral time constant (Pn101)} = \frac{4000}{2\pi \times \text{Pn100}}$$

Speed loop gain units: Hz

Check the units when setting the Speed Loop Integral Time Constant in Pn101. The value in Pn101 is set in units of 0.01 ms.

Set the same value for the speed loop gain and position loop gain even though the speed loop gain units (Hz) are different from the position loop gain units (1/s).

3. Repeat step 2 to increase the speed loop gain while monitoring the settling time with the analog monitor’s position error and checking whether vibration occurs in the torque reference. If there is any vibrating noise or noticeable vibration, gradually increase the Torque Reference Filter Time Constant in Pn401.
4. Gradually increase only the position loop gain. When it has been increased about as far as possible, then decrease the Speed Feedback Compensation in Pn111 from 100% to 90%. Then repeat steps 2 and 3.
5. Decrease the speed feedback compensation to a value lower than 90%. Then repeat steps 2 through 4 to shorten the settling time. If the speed feedback compensation is too low, however, the response waveform will oscillate.
6. Find the parameter settings that yield the shortest settling time without causing vibration or instability in the position error or torque reference waveform being observed with the analog monitor.
7. The servo gain adjustment procedure is complete when the positioning time cannot be reduced any more.

### IMPORTANT

The speed feedback compensation usually makes it possible to increase the speed loop gain and position loop gain. Once the speed loop gain and position loop gain have been increased, the machine may vibrate significantly and may even be damaged if the compensation value is changed significantly or Pn110.1 is set to “1” (i.e., speed feedback compensation disabled).

### 9.4.9 Switching Gain Settings

Gain switching by the external signal is possible with the SGDM SERVOPACK. For example, to use different gains while the servomotor is running or stopped, set two values in the gain settings 1 and 2 and switch the gains by the external signal.

#### (1) Gain Switching Input Signal

Type	Signal	Connector Pin No.	Setting	Meaning
Input	/G-SEL	Signal allocation required	OFF: H (high) level	Gain settings 1
			ON: L (low) level	Gain settings 2
To use the input signal, the input terminal must be allocated in the parameter Pn50D. Refer to 7.3.2 <i>Input Circuit Signal Allocation</i> .				

#### (2) Switchable Gain Combinations

Turning ON and OFF the gain switching signal /G-SEL switches the gains as follows.

Gain Switching Signal (/G-SEL)	OFF (H Level)	ON (L Level)
Speed loop gain	Pn100	Pn104
Speed loop integral time constant	Pn101	Pn105
Position loop gain	Pn102	Pn106

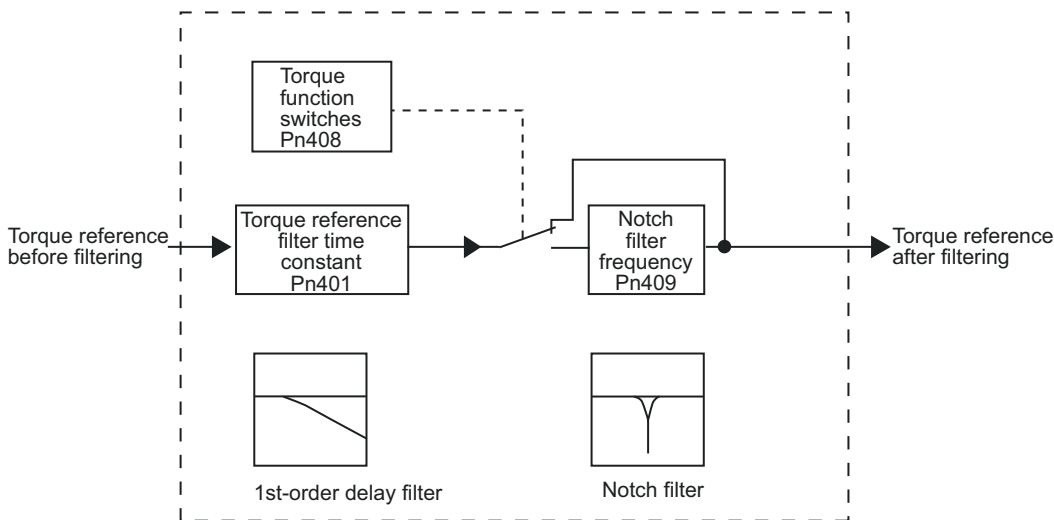
#### (3) Related Parameters

Parameter	Function
Pn50A n.□□□1	Enables the input signal allocation for the sequence.
Set to allocate the gain switching signal (/G-SEL) to an input terminal.	

Pn100	Speed Loop Gain		<input type="checkbox"/> Speed	<input type="checkbox"/> Position
	Setting Range	Setting Unit	Factory Setting	Setting Validation
	1 to 2,000	1 Hz	40	Immediately
Pn101	Speed Loop Integral Time Constant		<input type="checkbox"/> Speed	<input type="checkbox"/> Position
	Setting Range	Setting Unit	Factory Setting	Setting Validation
	15 to 51,200 (0.15 to 512.00 ms)	0.01 ms	2,000 (20.00 ms)	Immediately
Pn102	Position Loop Gain			<input type="checkbox"/> Position
	Setting Range	Setting Unit	Factory Setting	Setting Validation
	1 to 2,000	1/s	40	Immediately
Pn104	2nd Speed Loop Gain		<input type="checkbox"/> Speed	<input type="checkbox"/> Position
	Setting Range	Setting Unit	Factory Setting	Setting Validation
	1 to 2,000	1 Hz	40	Immediately
Pn105	2nd Speed Loop Integral Time Constant		<input type="checkbox"/> Speed	<input type="checkbox"/> Position
	Setting Range	Setting Unit	Factory Setting	Setting Validation
	15 to 51,200 (0.15 to 512.00 ms)	0.01 ms	2,000 (20.00 ms)	Immediately
Pn106	2nd Position Loop Gain			<input type="checkbox"/> Position
	Setting Range	Setting Unit	Factory Setting	Setting Validation
	1 to 2,000	1/s	40	Immediately

### 9.4.10 Torque Reference Filter

As shown in the following diagram, the torque reference filter contains torque reference filter time constant (Pn401) and notch filter frequency (Pn409) arrayed in series. The notch filter can be enabled and disabled using the parameters.



#### (1) Torque Reference Filter

If you suspect that machine vibration is being caused by the servo drive, try adjusting the filter time constant. This may stop the vibration. The lower the value, the better the speed control response will be, but there is a lower limit that depends on the machine conditions.

<b>Pn401</b>	Torque Reference Filter Time Constant			<input type="checkbox"/> Speed <input type="checkbox"/> Position <input type="checkbox"/> Torque
	Setting Range	Setting Unit	Factory Setting	Setting Validation
	0 to 65,535 (0.00 to 655.35 ms)	0.01 ms	100 (1.00 ms)	Immediately

#### (2) Notch Filter

Using the notch filter in accordance with the components of specific vibration frequency such as resonances of ball screw can eliminate the frequency components to stop the vibration.

Parameter	Meaning
<b>Pn408</b>	n.□□□0 Disables the notch filter.
	n.□□□1 Enables the notch filter.
Enables the notch filter to be used. (The setting is validated immediately.) For 200-V class 5 kW to 15 kW servomotors, the factory setting is n.□□□1.	

Set the machine's vibration frequency in the parameter of a notch filter to be used.

<b>Pn409</b>	First Stage Notch Filter Frequency			<input type="checkbox"/> Speed <input type="checkbox"/> Position <input type="checkbox"/> Torque
	Setting Range	Setting Unit	Factory Setting	Setting Validation
	50 to 2,000	1 Hz	2,000*	Immediately
For 200-V class 5 kW to 15 kW servomotors, the factory setting is 1500 Hz.				

\* The factory setting is 1500 for the models with 5 kW or more.



**IMPORTANT**

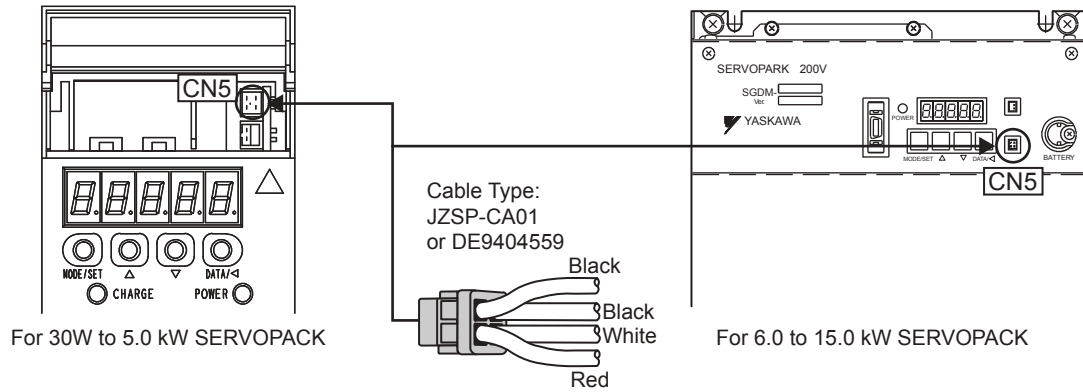
1. Sufficient precautions must be taken when setting the notch frequency. Do not set the notch filter frequency (Pn409) that is close to the speed loop's response frequency. Set the frequency at least four times higher than the speed loop's response frequency. Setting the notch filter frequency too close to the response frequency may cause vibration and damage the machine. The speed loop response frequency is the value of the Speed Loop Gain (Pn100) when the Moment of Inertia Ratio (Pn103) is set to the correct value.
2. Change the Notch Filter Frequency (Pn409) only when the servomotor is stopped. Vibration may occur if the notch filter frequency is changed when the servomotor is rotating.

## 9.5 Analog Monitor

Signals for analog voltage references can be monitored.

To monitor analog signals, connect the analog monitor cable (JZSP-CA01 or DE9404559) to the connector CN5.

The analog monitor signals can be selected by setting parameters Pn003.0 and Pn003.1.



Pin Number	Line Color	Signal Name	Monitoring Item with Factory Setting
1	Red	Analog monitor 2	Motor speed: 1 V/1000 min <sup>-1</sup>
2	White	Analog monitor 1	Torque reference: 1 V/100% rated torque
3, 4	Black (2 lines)	GND (0 V)	–

- Related Parameters

The following signals can be monitored.

### Pn003: Function Selections

	Parameter		Function		
	Monitor 1	Monitor 2	Monitor Signal	Observation Gain	Remarks
Pn003	n.□□□0	n.□□0□	Motor speed	1 V / 1000 min <sup>-1</sup>	Factory setting for Monitor 2
	n.□□□1	n.□□1□	Speed reference	1 V / 1000 min <sup>-1</sup>	–
	n.□□□2	n.□□2□	Internal torque reference	1 V / 100% rated torque	Factory setting for Monitor 1
	n.□□□3	n.□□3□	Position error *	0.05 V / 1 reference unit	–
	n.□□□4	n.□□4□	Position error *	0.05 V / 100 reference units	–
	n.□□□5	n.□□5□	Reference pulse frequency (converted to min <sup>-1</sup> )	1 V / 1000 min <sup>-1</sup>	–
	n.□□□6	n.□□6□	Motor speed × 4	1 V / 250 min <sup>-1</sup>	–
	n.□□□7	n.□□7□	Motor speed × 8	1 V / 125 min <sup>-1</sup>	–
	n.□□□8	n.□□8□	Reserved. Do not set.	–	–
	n.□□□9	n.□□9□			–
	n.□□□A	n.□□A□			–
	n.□□□B	n.□□B□			–
	n.□□□C	n.□□C□			–
	n.□□□D	n.□□D□			–
	n.□□□E	n.□□E□			–
n.□□□F	n.□□F□	–			

\* When using speed control or torque control, the position error monitor signal is not specified.



The analog monitor output voltage is ±8 V (maximum). The output will be limited to ±8 V even if this value is exceeded in the above calculations.

## Upgraded Versions

10.1 Upgraded Versions for SGDM SERVOPACK	10-2
10.2 Upgraded Functions	10-3
10.2.1 Additional Functions	10-3
10.2.2 Improved Functions	10-3
10.3 Additional Functions	10-4
10.3.1 SGMCS Direct-drive Motor Supporting Function	10-4
10.3.2 Improvement of Dividing Output Resolution	10-7
10.3.3 Reference Pulse Input Multiplication Switching Function	10-9
10.3.4 Second Stage Notch Filter and Changeable Q Value	10-11
10.3.5 Automatic Gain Switching Function	10-13
10.4 Improved Functions	10-15
10.4.1 Moment of Inertia Ratio Setting Range	10-15
10.4.2 Adaptation to Single-turn Data Absolute Encoder	10-15
10.4.3 Serial Number and Manufactured Data Reading Function	10-17
10.5 Additional and Improved Parameters	10-18
10.5.1 Parameters	10-18
10.5.2 Switches	10-19
10.5.3 Input Signal Selection	10-19
10.5.4 Output Signal Selection	10-20
10.5.5 Utility Functions	10-20
10.5.6 Troubleshooting	10-21

## 10.1 Upgraded Versions for SGDM SERVOPACK

This chapter describes the additional and improved functions in the upgraded software versions 32 or later for SGDM-□□□DA SERVOPACKs.

- Version Numbers

Check the 5-digit version number indicated on the front side of the SERVOPACK. The lower two digits indicate the software version number.

The software version 32 or later means the upgraded products.

